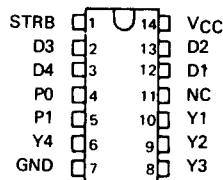


SN54278, SN74278 4-BIT CASCADABLE PRIORITY REGISTERS

MAY 1972—REVISED MARCH 1988

- Latched Data Inputs Serve as Buffer Register and Can also:
 - Synchronize Data Acquisition
 - "Debounce" Mechanical Switch Input
- Cascading Input P0 and Output P1 Provides "Busy" Signal Inhibiting All Lower-Order Bits
- Full TTL Compatibility
- Use for:
 - Priority Interrupt
 - Synchronous Priority Line Selection

SN54278 . . . J OR W PACKAGE
SN74278 . . . N PACKAGE
(TOP VIEW)



NC—No internal connection

description

The SN54278 and SN74278 each consist of four data latches, full priority output gating, and a cascading gate. The highest-order data applied at a D latch input is transferred to the appropriate Y output while the strobe input is high, and when the strobe goes low all data is latched. The cascading input P0 is fully overriding and on the highest-order package this input must be held at a low logic level. The P1 output is intended for connection to the P0 input of the next lower-order package and will provide a "busy" (high-level) signal to inhibit all subsequent lower-order packages.

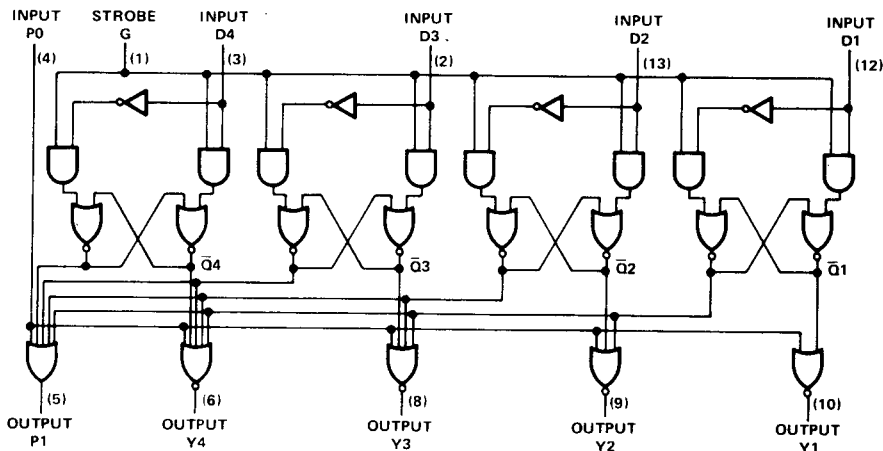
After the overriding P0 input, the order of priority is D1, D2, D3, and D4, respectively, within the package.

FUNCTION TABLE

| INPUTS | | INTERNAL LATCH NODES | | | | OUTPUTS | | | | | | | | |
|--------|---|---|----|----|----|-------------------------|------------|------------|------------|--|----|----|----|----|
| P0 | G | D1 | D2 | D3 | D4 | $\bar{Q}1$ | $\bar{Q}2$ | $\bar{Q}3$ | $\bar{Q}4$ | Y1 | Y2 | Y3 | Y4 | P1 |
| L | H | X | X | X | X | L | X | X | X | H | L | L | L | H |
| L | H | L | H | X | X | H | L | X | X | L | H | L | L | H |
| L | H | L | L | H | X | H | H | L | X | L | L | H | L | H |
| L | H | L | L | L | H | H | H | H | L | L | L | L | H | H |
| L | H | L | L | L | L | H | H | H | H | L | L | L | L | L |
| L | L | X | X | X | X | Latched when G goes low | | | | Same function of \bar{Q} nodes as on 1st 5 lines | | | | |
| H | L | X | X | X | X | | | | | L | L | L | L | H |
| H | H | Internal \bar{Q} levels are same function of D inputs as on first 5 lines | | | | | | | | L | L | L | L | H |

H = high level, L = low level, X = irrelevant

logic diagram (positive logic)



PRODUCTION DATA documents contain information current as of publication date. Products conform to specifications per the terms of Texas Instruments standard warranty. Production processing does not necessarily include testing of all parameters.

TEXAS
INSTRUMENTS

POST OFFICE BOX 655012 • DALLAS, TEXAS 75265

2-767

2
TTL Devices

SN54278, SN74278 4-BIT CASCADABLE PRIORITY REGISTERS

absolute maximum ratings over operating free-air temperature range (unless otherwise noted)

| | |
|--|----------------|
| Supply voltage, V_{CC} (see Note 1) | 7 V |
| Input voltage | 5.5 V |
| Interemitter voltage (see Note 2) | 5.5 V |
| Operating free-air temperature range: SN54278 Circuits | -55°C to 125°C |
| SN74278 Circuits | 0°C to 70°C |
| Storage temperature range | -65°C to 150°C |

NOTES: 1. Voltage values, except interemitter voltage, are with respect to network ground terminal.
2. This is the voltage between two emitters of a multiple-emitter transistor. For this circuit, this rating applies between the strobe input and any of the four data inputs.

recommended operating conditions

| | SN54278 | | | SN74278 | | | UNIT |
|---|---------|-----|------|---------|-----|------|---------|
| | MIN | NOM | MAX | MIN | NOM | MAX | |
| Supply voltage, V_{CC} | 4.5 | 5 | 5.5 | 4.75 | 5 | 5.25 | V |
| High-level output current, I_{OH} | | | -800 | | | -800 | μ A |
| Low-level output current, I_{OL} | | | 16 | | | 16 | mA |
| Data setup time, t_{SU} (see Figure 1) | 20 | | | 20 | | | ns |
| Data hold time, t_H (see Figure 1) | 5 | | | 5 | | | ns |
| Strobe pulse width, t_{WP} (see Figure 1) | 20 | | | 20 | | | ns |
| Operating free-air temperature, T_A | -55 | 125 | | 0 | 70 | | °C |

electrical characteristics over recommended operating free-air temperature range (unless otherwise noted)

| PARAMETER | | TEST CONDITIONS† | MIN | TYP | MAX | UNIT |
|-----------|--|--|--|-----|-------|---------|
| V_{IH} | High-level input voltage | | 2 | | | V |
| V_{IL} | Low-level input voltage | | | | 0.8 | V |
| V_{IK} | Input clamp voltage | $V_{CC} = \text{MIN}, I_I = -12 \text{ mA}$ | | | -1.5 | V |
| V_{OH} | High-level output voltage | $V_{CC} = \text{MIN}, V_{IH} = 2 \text{ V}, V_{IL} = 0.8 \text{ V}, I_{OH} = -800 \mu\text{A}$ | 2.4 | 3.4 | | V |
| V_{OL} | Low-level output voltage | $V_{CC} = \text{MIN}, V_{IH} = 2 \text{ V}, V_{IL} = 0.8 \text{ V}, I_{OL} = 16 \text{ mA}$ | | 0.2 | 0.4 | V |
| I_I | Input current at maximum input voltage | $V_{CC} = \text{MAX}, V_I = 5.5 \text{ V}$ | | | 1 | mA |
| I_{IH} | High-level input current | Any D input | | | 80 | μ A |
| | | P0 input | $V_{CC} = \text{MAX}, V_I = 2.4 \text{ V}$ | | 200 | |
| | | G input | | | 320 | |
| I_{IL} | Low-level input current | Any D input | $V_{CC} = \text{MAX}, V_I = 0.4 \text{ V}$ | | -3.2 | mA |
| | | P0 input | | | -8 | |
| | | G input | | | -12.8 | |
| I_{OS} | Short-circuit output current § | $V_{CC} = \text{MAX}$ | SN54278 | -18 | -55 | mA |
| | | | SN74278 | -18 | -57 | |
| I_{CC} | Supply current | $V_{CC} = \text{MAX},$ See Note 3 | | 55 | 80 | mA |

† For conditions shown as MIN or MAX, use the appropriate value specified under recommended operating conditions for the applicable type.

‡ All typical values are at $V_{CC} = 5 \text{ V}, T_A = 25^\circ\text{C}$.

§ Not more than one output should be shorted at a time.

NOTE 3: I_{CC} is measured with the P0 input grounded, all other inputs at 4.5 V, and outputs open.

2

TTL Devices

SN54278, SN74278 4-BIT CASCADABLE PRIORITY REGISTERS

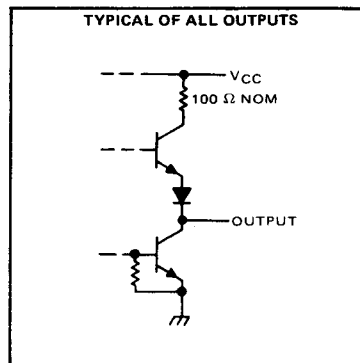
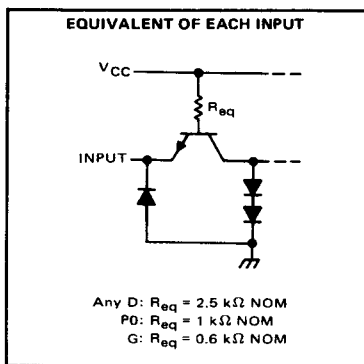
switching characteristics, $V_{CC} = 5\text{ V}$, $T_A = 25^\circ\text{ C}$

| PARAMETER† | FROM (INPUT) | TO (OUTPUT) | WAVEFORMS | TEST CONDITIONS | MIN | TYP | MAX | UNIT |
|------------|--------------|-------------|-------------------------------|---|-----|-----|-----|------|
| t_{PLH} | Data | Y | A and C (with strobe high) | $C_L = 15\text{ pF}$, $R_L = 400\ \Omega$, See Figure 1 | 30 | 39 | 30 | ns |
| t_{PHL} | | | | | | | | |
| t_{PLH} | Data | Y | A and D (with strobe high) | | 31 | 38 | 31 | ns |
| t_{PHL} | | | | | | | | |
| t_{PLH} | Data | P1 | A and E (with strobe high) | | 30 | 46 | 39 | ns |
| t_{PHL} | | | | | | | | |
| t_{PLH} | Strobe | Any Y | B and C or B and D | | 31 | 38 | 30 | ns |
| t_{PHL} | | | | | | | | |
| t_{PLH} | Strobe | P1 | B and E | | 31 | 42 | 38 | ns |
| t_{PHL} | | | | | | | | |
| t_{PLH} | P0 | P1 | F and G | 23 | 30 | 23 | ns | |
| t_{PHL} | | | | | | | | |

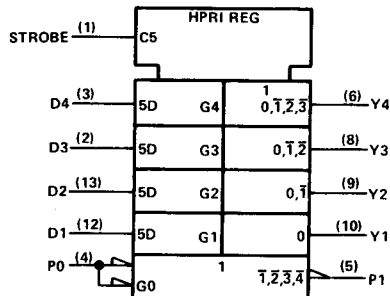
† t_{PLH} = propagation delay time, low-to-high-level output

t_{PHL} = propagation delay time, high-to-low-level output

schematics of inputs and outputs



logic symbol†



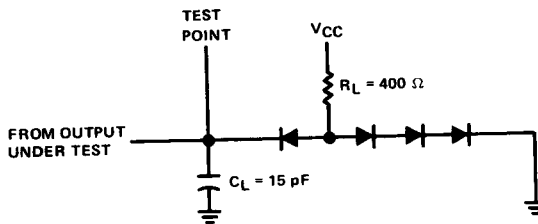
† This symbol is in accordance with ANSI/IEEE Std 91-1984 and IEC Publication 617-12.

2

TTL Devices

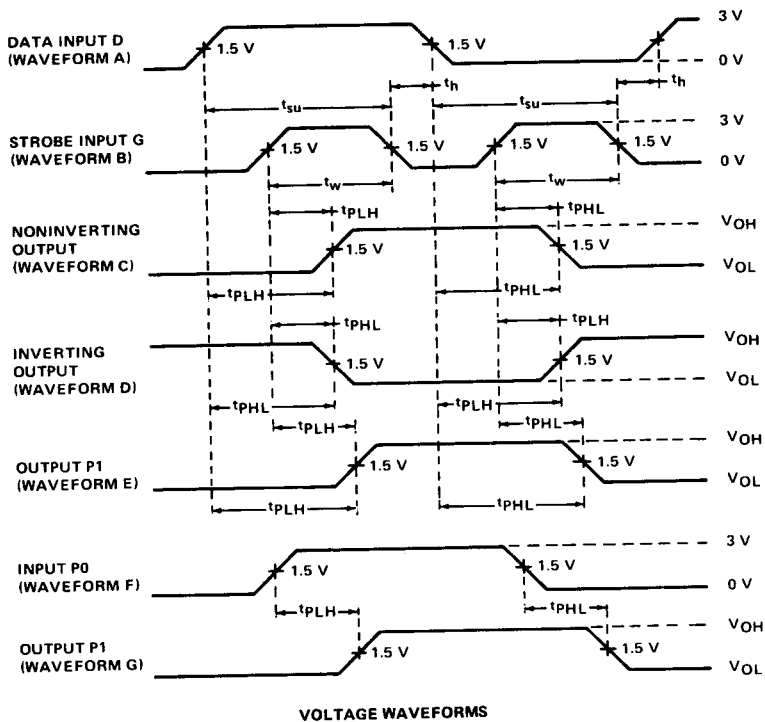
SN54278, SN74278
4-BIT CASCADABLE PRIORITY REGISTERS

PARAMETER MEASUREMENT INFORMATION



C_L includes probe and jig capacitance.
 All diodes are 1N3064.

LOAD CIRCUIT



VOLTAGE WAVEFORMS

NOTE: Input pulses are supplied by a generator having the following characteristics: $t_r \leq 7 \text{ ns}$, $t_f \leq 7 \text{ ns}$, $\text{PRR} \leq \text{MHz}$, $Z_{\text{out}} \approx 50 \Omega$.

FIGURE 1—SWITCHING TIMES

2

TTL Devices