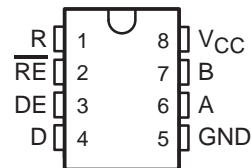


SN75176A DIFFERENTIAL BUS TRANSCEIVER

SLLS100A – JUNE 1984 – REVISED MAY 1995

- Bidirectional Transceiver
- Meets or Exceeds the Requirements of ANSI Standards EIA/TIA-422-B and ITU Recommendation V.11
- Designed for Multipoint Transmission on Long Bus Lines in Noisy Environments
- 3-State Driver and Receiver Outputs
- Individual Driver and Receiver Enables
- Wide Positive and Negative Input/Output Bus Voltage Ranges
- Driver Output Capability . . . ± 60 mA Max
- Thermal-Shutdown Protection
- Driver Positive- and Negative-Current Limiting
- Receiver Input Impedance . . . 12 k Ω Min
- Receiver Input Sensitivity . . . ± 200 mV
- Receiver Input Hysteresis . . . 50 mV Typ
- Operates From Single 5-V Supply
- Low Power Requirements

D OR P PACKAGE
(TOP VIEW)



description

The SN75176A differential bus transceiver is a monolithic integrated circuit designed for bidirectional data communication on multipoint bus-transmission lines. It is designed for balanced transmission lines and meets ANSI Standard EIA/TIA-422-B and ITU Recommendation V.11.

The SN75176A combines a 3-state differential line driver and a differential input line receiver, both of which operate from a single 5-V power supply. The driver and receiver have active-high and active-low enables, respectively, that can be externally connected together to function as a direction control. The driver differential outputs and the receiver differential inputs are connected internally to form differential input/output (I/O) bus ports that are designed to offer minimum loading to the bus whenever the driver is disabled or $V_{CC} = 0$. These ports feature wide positive and negative common-mode voltage ranges making the device suitable for party-line applications.

The driver is designed to handle loads up to 60 mA of sink or source current. The driver features positive- and negative-current limiting and thermal shutdown for protection from line fault conditions. Thermal shutdown is designed to occur at a junction temperature of approximately 150°C. The receiver features a minimum input impedance of 12 k Ω , an input sensitivity of ± 200 mV, and a typical input hysteresis of 50 mV.

The SN75176A can be used in transmission-line applications employing the SN75172 and SN75174 quadruple differential line drivers and SN75173 and SN75175 quadruple differential line receivers.

The SN75176A is characterized for operation from 0°C to 70°C.



Please be aware that an important notice concerning availability, standard warranty, and use in critical applications of Texas Instruments semiconductor products and disclaimers thereto appears at the end of this data sheet.

PRODUCTION DATA information is current as of publication date. Products conform to specifications per the terms of Texas Instruments standard warranty. Production processing does not necessarily include testing of all parameters.

 **TEXAS
INSTRUMENTS**

POST OFFICE BOX 655303 • DALLAS, TEXAS 75265

Copyright © 1995, Texas Instruments Incorporated

SN75176A DIFFERENTIAL BUS TRANSCEIVER

SLLS100A – JUNE 1984 – REVISED MAY 1995

Function Tables

DRIVER

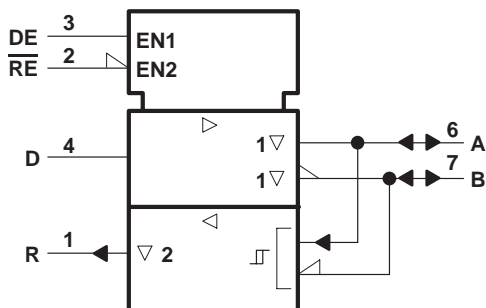
INPUT D	ENABLE DE	OUTPUTS	
		A	B
H	H	H	L
L	H	L	H
X	L	Z	Z

RECEIVER

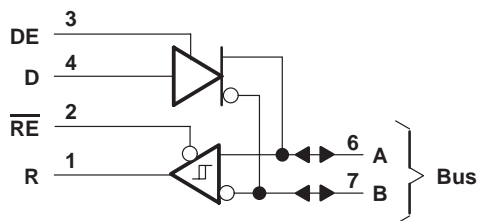
DIFFERENTIAL INPUTS A – B	ENABLE \overline{RE}	OUTPUT R
$V_{ID} \geq 0.2 V$	L	H
$-0.2 V < V_{ID} < 0.2 V$	L	?
$V_{ID} \leq -0.2 V$	L	L
X	H	Z
Open	L	?

H = high level, L = low level, ? = indeterminate,
X = irrelevant, Z = high impedance (off)

logic symbol†

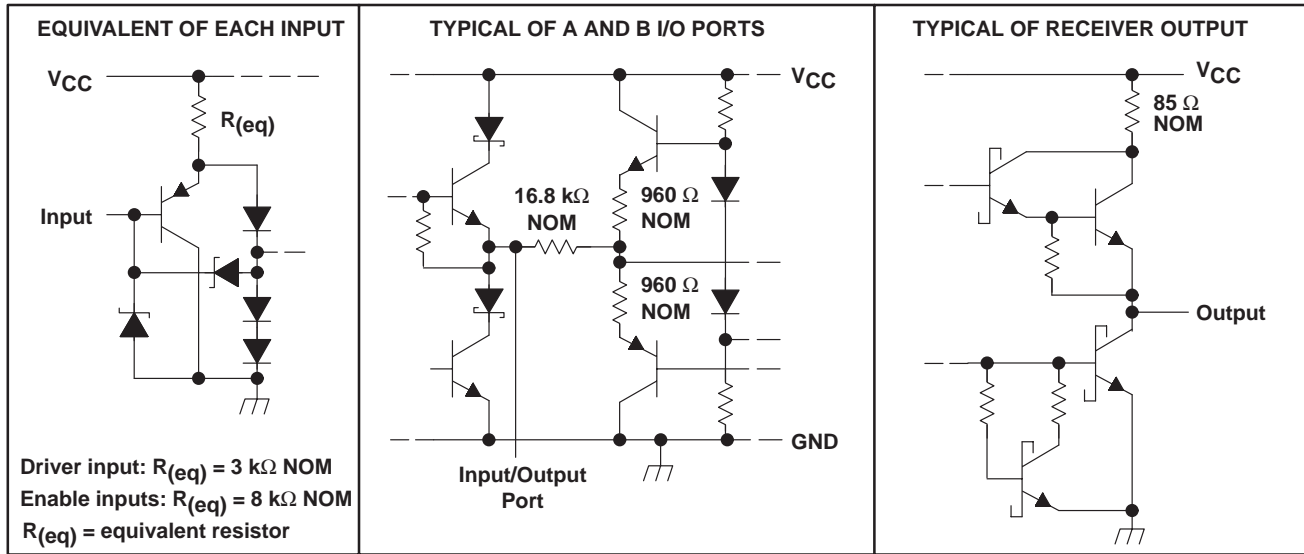


logic diagram (positive logic)



† This symbol is in accordance with ANSI/IEEE Std 91-1984 and IEC Publication 617-12.

schematics of inputs and outputs



absolute maximum ratings over operating free-air temperature range (unless otherwise noted)†

Supply voltage, V_{CC} (see Note 1)	7 V
Voltage range at any bus terminal	-10 V to 15 V
Enable input voltage, V_I	5.5 V
Continuous total power dissipation	See Dissipation Rating Table
Operating free-air temperature range, T_A	0°C to 70°C
Storage temperature range, T_{stg}	-65°C to 150°C
Lead temperature 1,6 mm (1/16 inch) from case for 10 seconds	260°C

† Stresses beyond those listed under "absolute maximum ratings" may cause permanent damage to the device. These are stress ratings only, and functional operation of the device at these or any other conditions beyond those indicated under "recommended operating conditions" is not implied. Exposure to absolute-maximum-rated conditions for extended periods may affect device reliability.

NOTE 1: All voltage values, except differential input/output bus voltage, are with respect to network ground terminal.

DISSIPATION RATING TABLE

PACKAGE	$T_A \leq 25^\circ\text{C}$ POWER RATING	DERATING FACTOR ABOVE $T_A = 25^\circ\text{C}$	$T_A = 70^\circ\text{C}$ POWER RATING	$T_A = 105^\circ\text{C}$ POWER RATING
D	725 mW	5.8 mW/°C	464 mW	261 mW
P	1100 mW	8.8 mW/°C	704 mW	396 mW

SN75176A

DIFFERENTIAL BUS TRANSCEIVER

SLLS100A – JUNE 1984 – REVISED MAY 1995

recommended operating conditions

		MIN	TYP	MAX	UNIT
Supply voltage, V_{CC}		4.75	5	5.25	V
Voltage at any bus terminal (separately or common mode), V_I or V_{IC}		-7		12	V
High-level input voltage, V_{IH}	D, DE, and \overline{RE}	2			V
Low-level input voltage, V_{IL}	D, DE, and \overline{RE}			0.8	V
Differential input voltage, V_{ID} (see Note 2)				± 12	V
High-level output current, I_{OH}	Driver			-60	mA
	Receiver			-400	μA
Low-level output current, I_{OL}	Driver			60	mA
	Receiver			8	
Operating free-air temperature, T_A		0		70	$^{\circ}C$

NOTE 2: Differential-input/output bus voltage is measured at the noninverting terminal A with respect to the inverting terminal B.



DRIVER SECTION

electrical characteristics over recommended ranges of supply voltage and operating free-air temperature (unless otherwise noted)

PARAMETER		TEST CONDITIONS		MIN	TYP†	MAX	UNIT
V_{IK}	Input clamp voltage	$I_I = -18$ mA				-1.5	V
V_{OH}	High-level output voltage	$V_{IH} = 2$ V, $I_{OH} = -33$ mA	$V_{IL} = 0.8$ V,		3.7		V
V_{OL}	Low-level output voltage	$V_{IH} = 2$ V, $I_{OH} = 33$ mA	$V_{IL} = 0.8$ V,		1.1		V
$ V_{OD1} $	Differential output voltage	$I_O = 0$				$2V_{OD2}$	V
$ V_{OD2} $	Differential output voltage	$R_L = 100$ Ω ,	See Figure 1	2	2.7		V
		$R_L = 54$ Ω ,	See Figure 1	1.5	2.4		
$\Delta V_{OD} $	Change in magnitude of differential output voltage ‡					± 0.2	V
V_{OC}	Common-mode output voltage§	$R_L = 54$ Ω or 100 Ω , See Figure 1				3	V
$\Delta V_{OC} $	Change in magnitude of common-mode output voltage ‡					± 0.2	V
I_O	Output current	Output disabled, See Note 3	$V_O = 12$ V			1	mA
			$V_O = -7$ V			-0.8	
I_{IH}	High-level input current	$V_I = 2.4$ V				20	μ A
I_{IL}	Low-level input current	$V_I = 0.4$ V				-400	μ A
I_{OS}	Short-circuit output current	$V_O = -7$ V				-250	mA
		$V_O = V_{CC}$				250	
		$V_O = 12$ V				500	
I_{CC}	Supply current (total package)	No load	Outputs enabled		35	50	mA
			Outputs disabled		26	40	

† All typical values are at $V_{CC} = 5$ V and $T_A = 25^\circ\text{C}$.

‡ $\Delta|V_{OD}|$ and $\Delta|V_{OC}|$ are the changes in magnitude of V_{OD} and V_{OC} respectively, that occur when the input is changed from a high level to a low level.

§ In ANSI Standard EIA/TIA-422-B, V_{OC} , which is the average of the two output voltages with respect to GND, is called output offset voltage, V_{OS} .

NOTE 3: This applies for both power on and off; refer to ANSI Standard EIA/TIA-422-B for exact conditions.

switching characteristics, $V_{CC} = 5$ V, $T_A = 25^\circ\text{C}$

PARAMETER		TEST CONDITIONS		MIN	TYP	MAX	UNIT
$t_{d(OD)}$	Differential-output delay time	$R_L = 60$ Ω ,	See Figure 3		40	60	ns
$t_{t(OD)}$	Differential-output transition time				65	95	
t_{PZH}	Output enable time to high level	$R_L = 110$ Ω ,	See Figure 4		55	90	ns
t_{PZL}	Output enable time to low level	$R_L = 110$ Ω ,	See Figure 5		30	50	ns
t_{PHZ}	Output disable time from high level	$R_L = 110$ Ω ,	See Figure 4		85	130	ns
t_{PLZ}	Output disable time from low level	$R_L = 110$ Ω ,	See Figure 5		20	40	ns

SN75176A

DIFFERENTIAL BUS TRANSCEIVER

SLLS100A – JUNE 1984 – REVISED MAY 1995

RECEIVER SECTION

electrical characteristics over recommended ranges of common-mode input voltage, supply voltage, and operating free-air temperature (unless otherwise noted)

PARAMETER		TEST CONDITIONS		MIN	TYP†	MAX	UNIT	
V _{IT+}	Positive-going input threshold voltage	V _O = 2.7 V,	I _O = -0.4 mA			0.2	V	
V _{IT-}	Negative-going input threshold voltage	V _O = 0.5 V,	I _O = 8 mA	-0.2‡			V	
V _{hys}	Input hysteresis voltage (V _{IT+} - V _{IT-})				50		mV	
V _{IK}	Enable clamp voltage	I _I = -18 mA				-1.5	V	
V _{OH}	High-level output voltage	V _{ID} = 200 mV, See Figure 2	I _{OH} = -400 μA,		2.7		V	
V _{OL}	Low-level output voltage	V _{ID} = -200 mV, See Figure 2	I _{OL} = 8 mA,			0.45	V	
I _{OZ}	High-impedance-state output current	V _O = 0.4 V to 2.4 V				±20	μA	
I _I	Line input current	Other input = 0 V, See Note 3	V _I = 12 V			1	mA	
			V _I = -7 V			-0.8		
I _{IH}	High-level enable input current	V _{IH} = 2.7 V				20	μA	
I _{IL}	Low-level enable input current	V _{IL} = 0.4 V				-100	μA	
r _i	Input resistance				12		kΩ	
I _{OS}	Short-circuit output current					-15	-85	mA
I _{CC}	Supply current (total package)	No load	Outputs enabled			35	50	mA
			Outputs disabled			26	40	

† All typical values are at V_{CC} = 5 V, T_A = 25°C.

‡ The algebraic convention, in which the less-positive (more-negative) limit is designated minimum, is used in this data sheet for common-mode input voltage and threshold voltage levels only.

NOTE 3: This applies for both power on and power off. Refer to ANSI Standard EIA/TIA-422-B for exact conditions.

switching characteristics, V_{CC} = 5 V, C_L = 15 pF, T_A = 25°C

PARAMETER		TEST CONDITIONS		MIN	TYP	MAX	UNIT
t _{PLH}	Propagation delay time, low-to-high-level output	V _{ID} = -1.5 V to 1.5 V,	See Figure 6		21	35	ns
t _{PHL}	Propagation delay time, high-to-low-level output				23	35	ns
t _{PZH}	Output enable time to high level	See Figure 7			10	30	ns
t _{PZL}	Output enable time to low level				12	30	ns
t _{PHZ}	Output disable time from high level	See Figure 7			20	35	ns
t _{PLZ}	Output disable time from low level				17	25	ns



PARAMETER MEASUREMENT INFORMATION

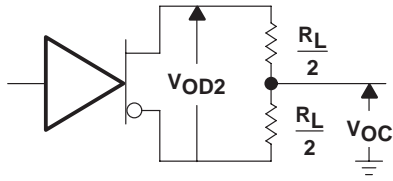


Figure 1. Driver V_{OD} and V_{OC}

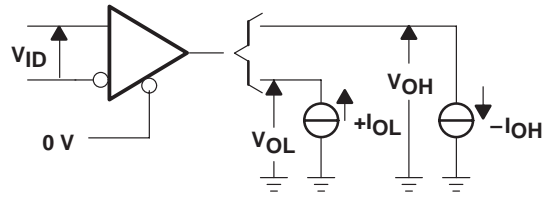
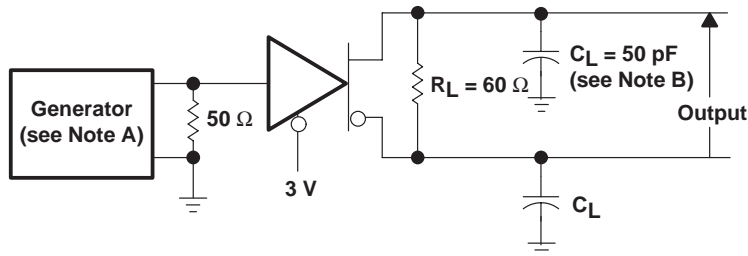
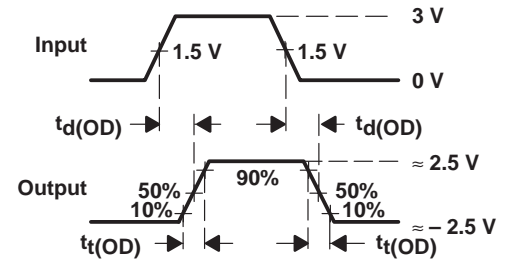


Figure 2. Receiver V_{OH} and V_{OL}



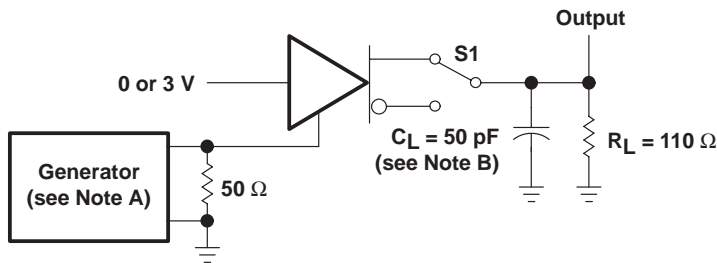
TEST CIRCUIT



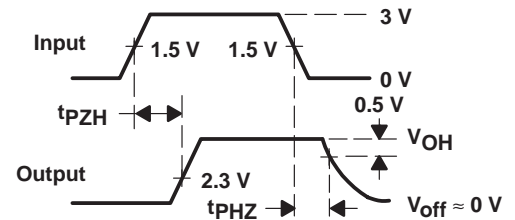
VOLTAGE WAVEFORMS

- NOTES: A. The input pulse is supplied by a generator having the following characteristics: PRR = 1 MHz, 50% duty cycle, $t_r \leq 6$ ns, $t_f \leq 6$ ns, $Z_O = 50 \Omega$.
B. C_L includes probe and jig capacitance.

Figure 3. Driver Test Circuit and Voltage Waveforms



TEST CIRCUIT



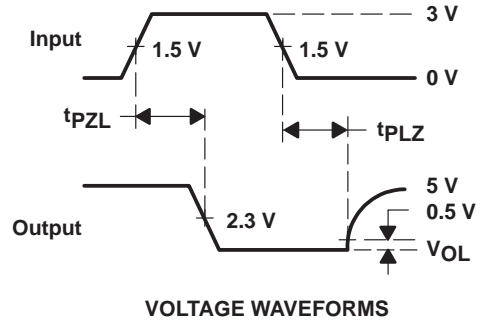
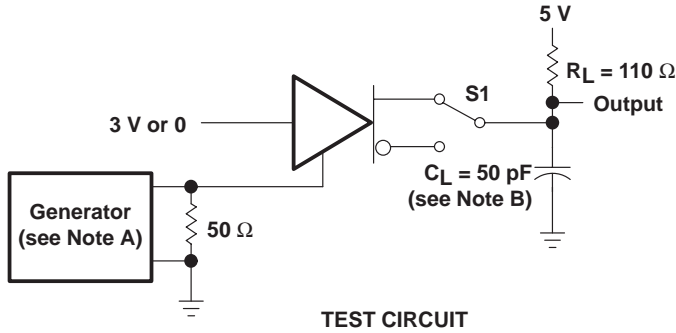
VOLTAGE WAVEFORMS

- NOTES: A. The input pulse is supplied by a generator having the following characteristics: PRR = 1 MHz, 50% duty cycle, $t_r \leq 6$ ns, $t_f \leq 6$ ns, $Z_O = 50 \Omega$.
B. C_L includes probe and jig capacitance.

Figure 4. Driver Test Circuit and Voltage Waveforms

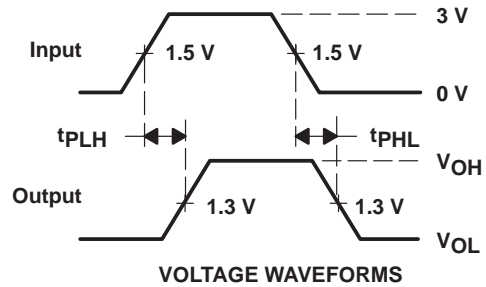
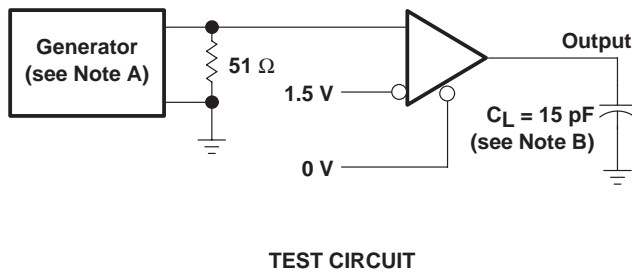
SN75176A DIFFERENTIAL BUS TRANSCEIVER

SLLS100A – JUNE 1984 – REVISED MAY 1995



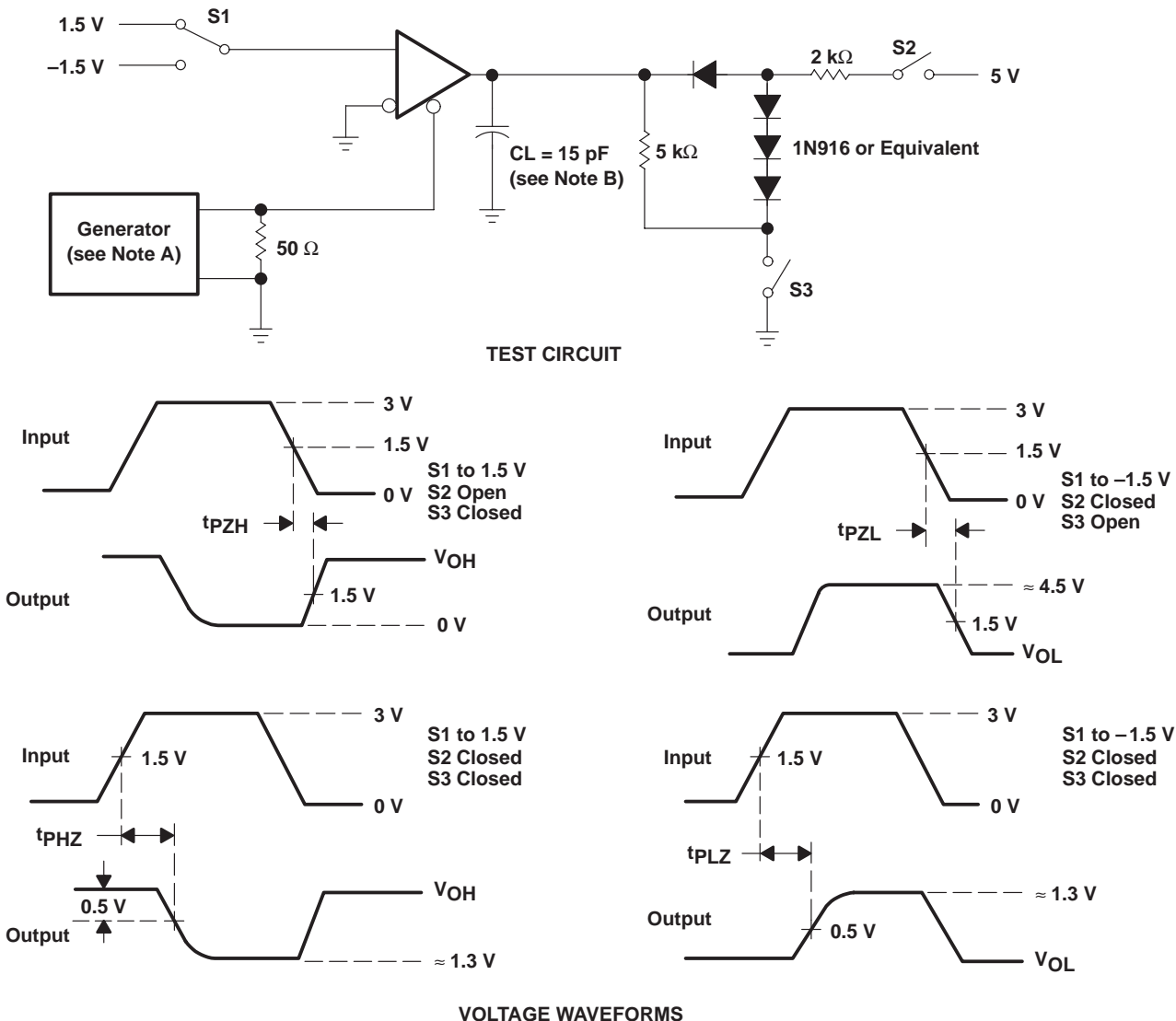
- NOTES: A. The input pulse is supplied by a generator having the following characteristics: PRR = 1 MHz, 50% duty cycle, $t_r \leq 6$ ns, $t_f \leq 6$ ns, $Z_O = 50 \Omega$.
 B. C_L includes probe and jig capacitance.

Figure 5. Driver Test Circuit and Voltage Waveforms



- NOTES: A. The input pulse is supplied by a generator having the following characteristics: PRR = 1 MHz, 50% duty cycle, $t_r \leq 6$ ns, $t_f \leq 6$ ns, $Z_O = 50 \Omega$.
 B. C_L includes probe and jig capacitance.

Figure 6. Receiver Test Circuit and Voltage Waveforms



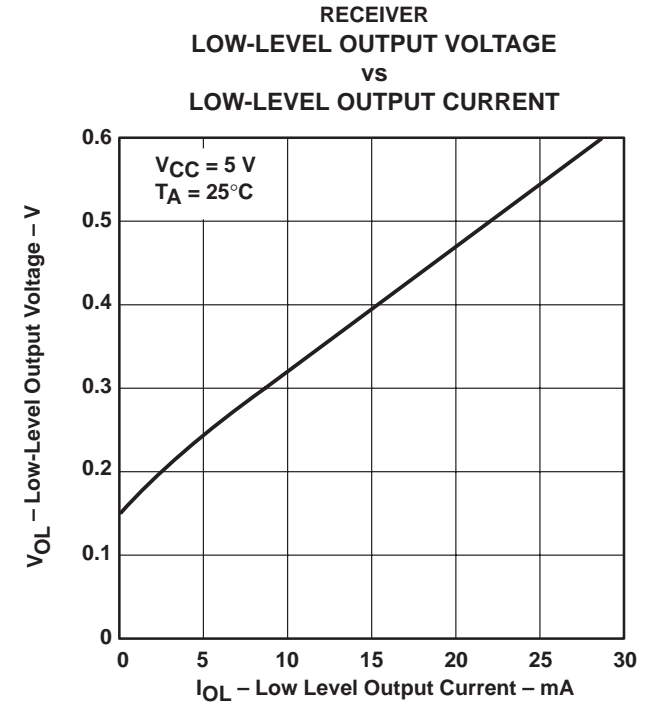
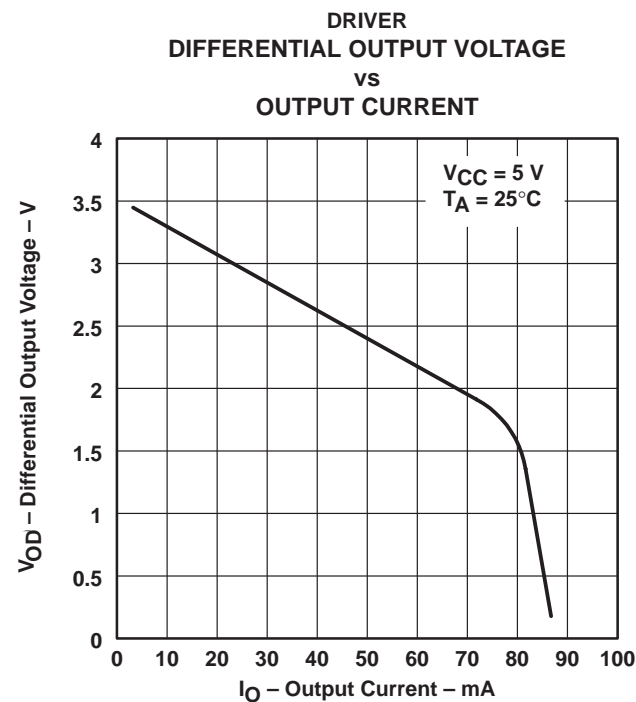
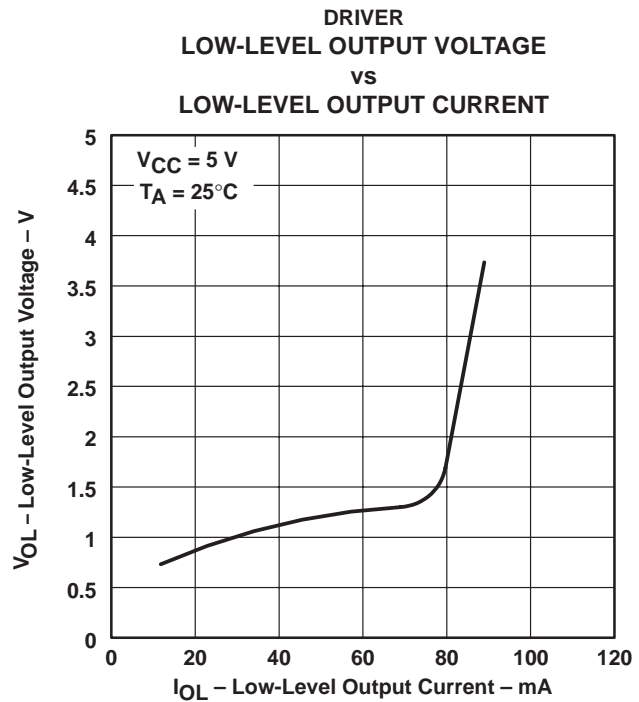
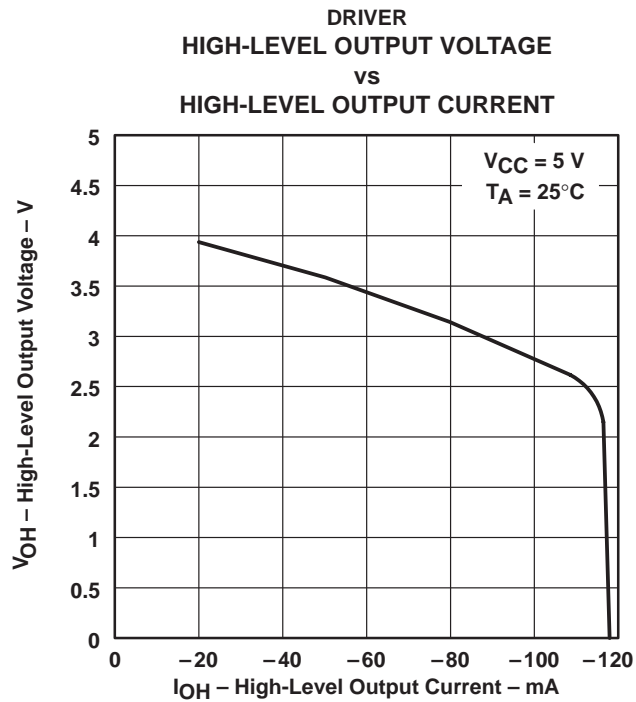
- NOTES: A. The input pulse is supplied by a generator having the following characteristics: PRR = 1 MHz, 50% duty cycle, $t_r \leq 6$ ns, $t_f \leq 6$ ns, $Z_O = 50 \Omega$.
 B. C_L includes probe and jig capacitance.

Figure 7. Receiver Test Circuit and Voltage Waveforms

SN75176A DIFFERENTIAL BUS TRANSCEIVER

SLLS100A – JUNE 1984 – REVISED MAY 1995

TYPICAL CHARACTERISTICS



TYPICAL CHARACTERISTICS

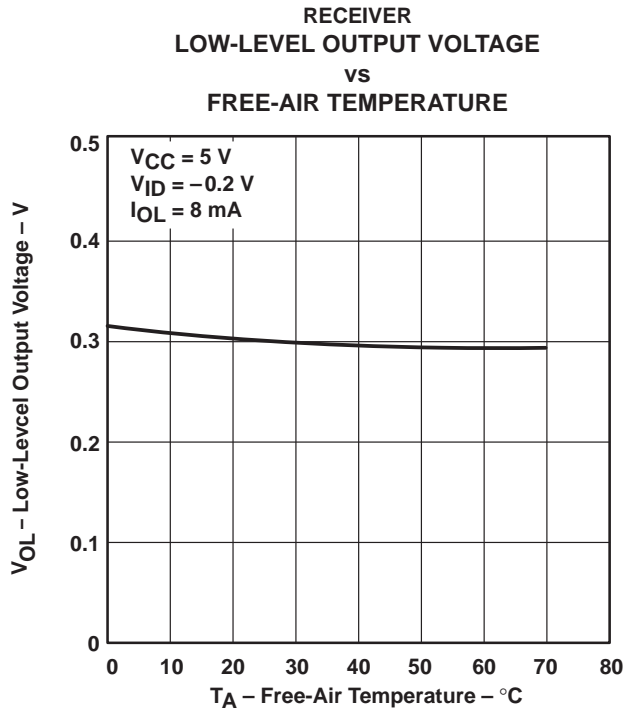


Figure 12

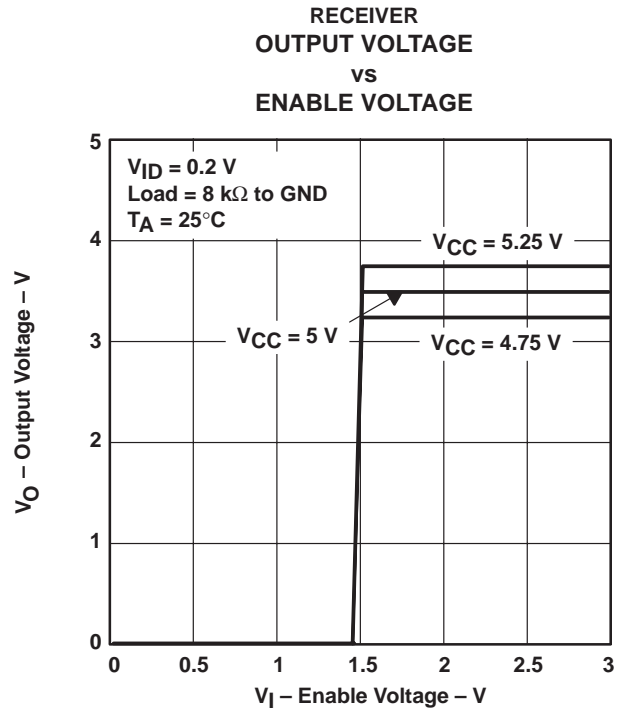


Figure 13

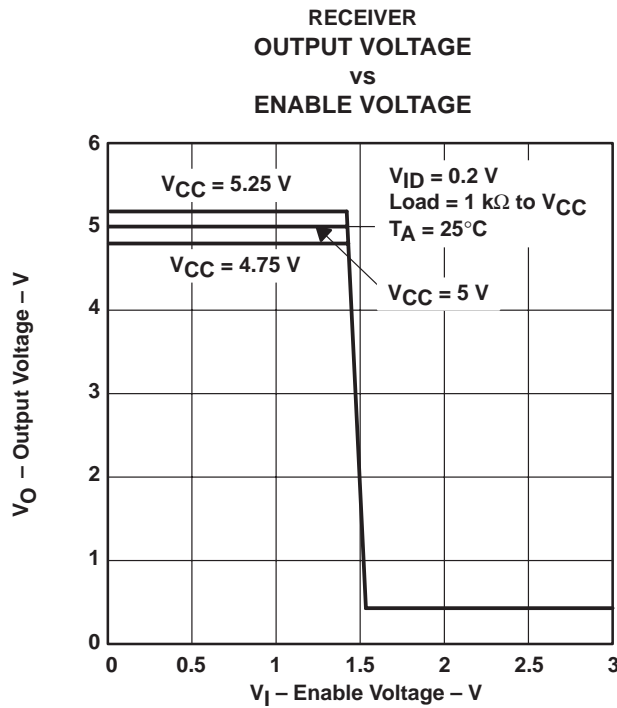
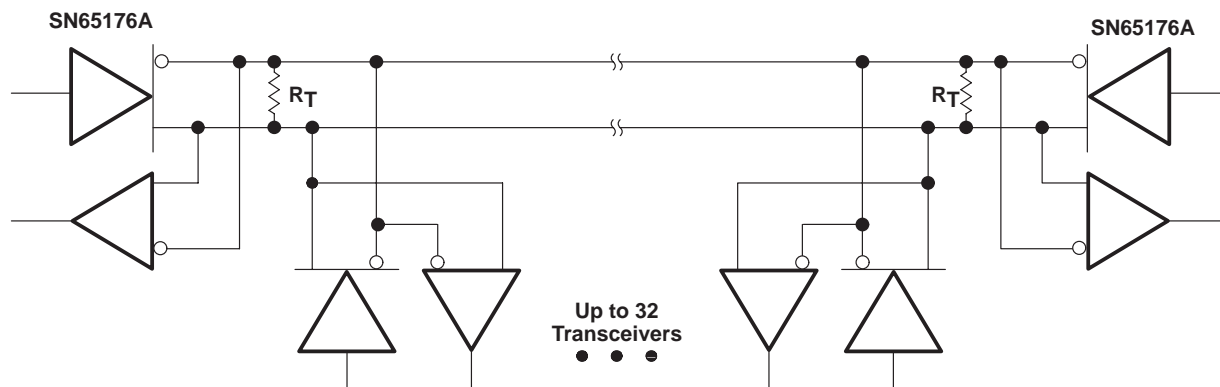


Figure 14

SN75176A DIFFERENTIAL BUS TRANSCEIVER

SLLS100A – JUNE 1984 – REVISED MAY 1995

APPLICATION INFORMATION



NOTE A: The line should be terminated at both ends in its characteristic impedance ($R_T = Z_0$). Stub lengths off the main line should be kept as short as possible.

Figure 15. Typical Application Circuit

IMPORTANT NOTICE

Texas Instruments and its subsidiaries (TI) reserve the right to make changes to their products or to discontinue any product or service without notice, and advise customers to obtain the latest version of relevant information to verify, before placing orders, that information being relied on is current and complete. All products are sold subject to the terms and conditions of sale supplied at the time of order acknowledgement, including those pertaining to warranty, patent infringement, and limitation of liability.

TI warrants performance of its semiconductor products to the specifications applicable at the time of sale in accordance with TI's standard warranty. Testing and other quality control techniques are utilized to the extent TI deems necessary to support this warranty. Specific testing of all parameters of each device is not necessarily performed, except those mandated by government requirements.

CERTAIN APPLICATIONS USING SEMICONDUCTOR PRODUCTS MAY INVOLVE POTENTIAL RISKS OF DEATH, PERSONAL INJURY, OR SEVERE PROPERTY OR ENVIRONMENTAL DAMAGE ("CRITICAL APPLICATIONS"). TI SEMICONDUCTOR PRODUCTS ARE NOT DESIGNED, AUTHORIZED, OR WARRANTED TO BE SUITABLE FOR USE IN LIFE-SUPPORT DEVICES OR SYSTEMS OR OTHER CRITICAL APPLICATIONS. INCLUSION OF TI PRODUCTS IN SUCH APPLICATIONS IS UNDERSTOOD TO BE FULLY AT THE CUSTOMER'S RISK.

In order to minimize risks associated with the customer's applications, adequate design and operating safeguards must be provided by the customer to minimize inherent or procedural hazards.

TI assumes no liability for applications assistance or customer product design. TI does not warrant or represent that any license, either express or implied, is granted under any patent right, copyright, mask work right, or other intellectual property right of TI covering or relating to any combination, machine, or process in which such semiconductor products or services might be or are used. TI's publication of information regarding any third party's products or services does not constitute TI's approval, warranty or endorsement thereof.