

SN75186 QUADRUPLE DRIVER/RECEIVER WITH LOOPBACK

SLLS068C – FEBRUARY 1990 – REVISED MAY 1995

- Meets or Exceeds the Requirements of ANSI EIA/TIA-232-E and ITU Recommendation V.28
- Four Independent Drivers and Receivers
- Loopback Mode Functionally Self-Tests Drivers and Receivers Without Disconnection From Line
- Driver Slew Rate Limited to 30 V/μs Max
- Built-In Receiver 1-μs Noise Filter
- Internal Thermal Overload Protection
- EIA/TIA-232-E Inputs and Outputs Withstand ±30 V
- Low Supply Current . . . 2.5 mA Typ
- ESD Protection Exceeds 4000 V Per MIL-STD-883C Method 3015

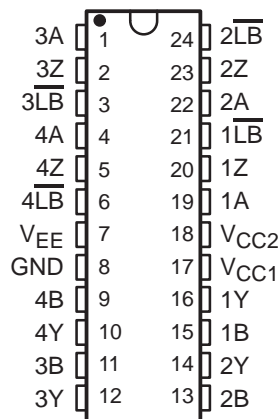
description

The SN75186 is a low-power bipolar device containing four driver/receiver pairs designed to interface data terminal equipment (DTE) with data circuit-terminating equipment (DCE). Additionally, the SN75186 has a loopback mode that can be used by a data communication system to perform a functional self-test on each driver/receiver pair, removing the need to locally disconnect cables and install a loopback connector. Flexibility of control is ensured by each driver/receiver pair having its own loopback control input. The SN75186 is designed to conform to standards ANSI EIA/TIA-232-E and ITU Recommendation V.28.

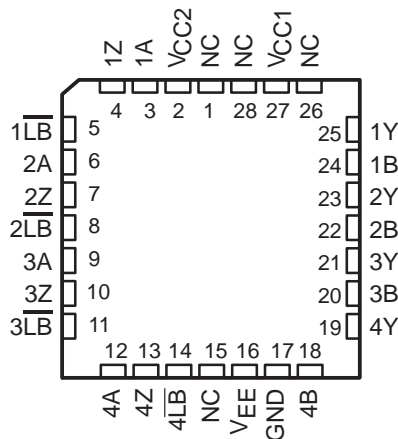
The maximum slew rate is limited to 30 V/μs at the driver outputs, and the SN75186 drives a capacitive load of 2500 pF at 20 kBaud. The receivers have input filters that disregard input noise pulses shorter than 1 μs. The SN75186 is a robust device capable of withstanding ±30 V at driver outputs and at receiver inputs whether powered or unpowered. This device has an internal ESD protection rated at 4 kV to prevent functional failures.

The SN75186 is characterized for operation from 0°C to 70°C.

**DW PACKAGE
(TOP VIEW)**



**FN PACKAGE
(TOP VIEW)**



NC – No internal connection



Please be aware that an important notice concerning availability, standard warranty, and use in critical applications of Texas Instruments semiconductor products and disclaimers thereto appears at the end of this data sheet.

PRODUCTION DATA information is current as of publication date. Products conform to specifications per the terms of Texas Instruments standard warranty. Production processing does not necessarily include testing of all parameters.



Copyright © 1995, Texas Instruments Incorporated

SN75186 QUADRUPLE DRIVER/RECEIVER WITH LOOPBACK

SLLS068C – FEBRUARY 1990 – REVISED MAY 1995

Function Tables

EACH RECEIVER

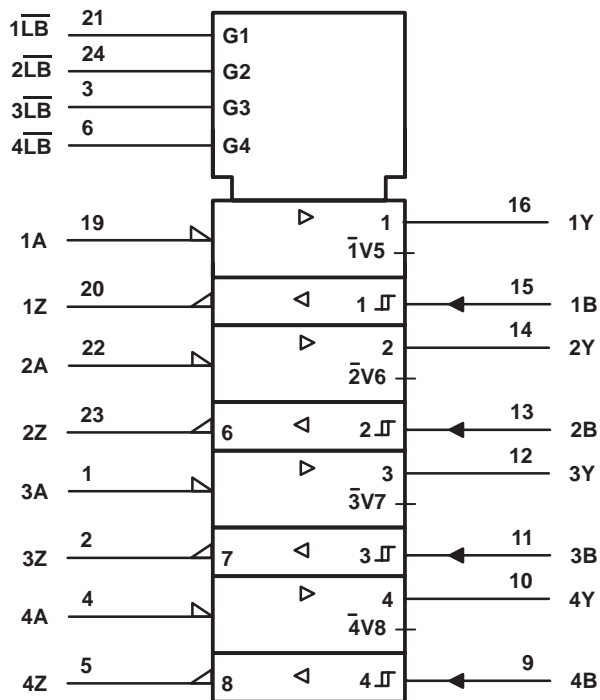
LOOPBACK LB	INPUTS		INPUT DE
	A	B†	
H	X	H	L
H	X	L	H
L	L	X	L
L	H	X	H

EACH DRIVER

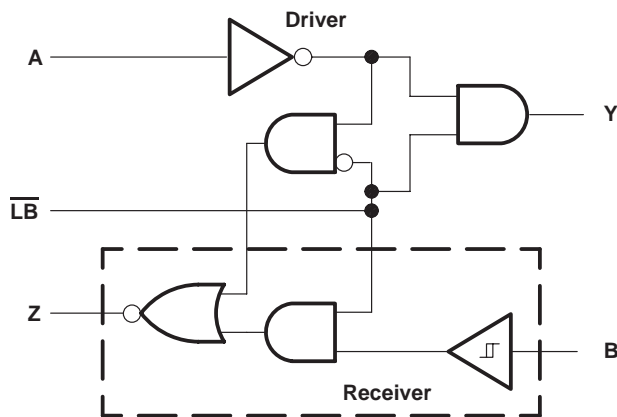
LOOPBACK LB	INPUT A	OUTPUT Y†
H	H	L
H	L	H
L	X	L

† Voltages are EIA/TIA-232-E, and V.28 levels
H = high level, L = low level, X = irrelevant

logic symbol‡



logic diagram, each driver/receiver pair (positive logic)



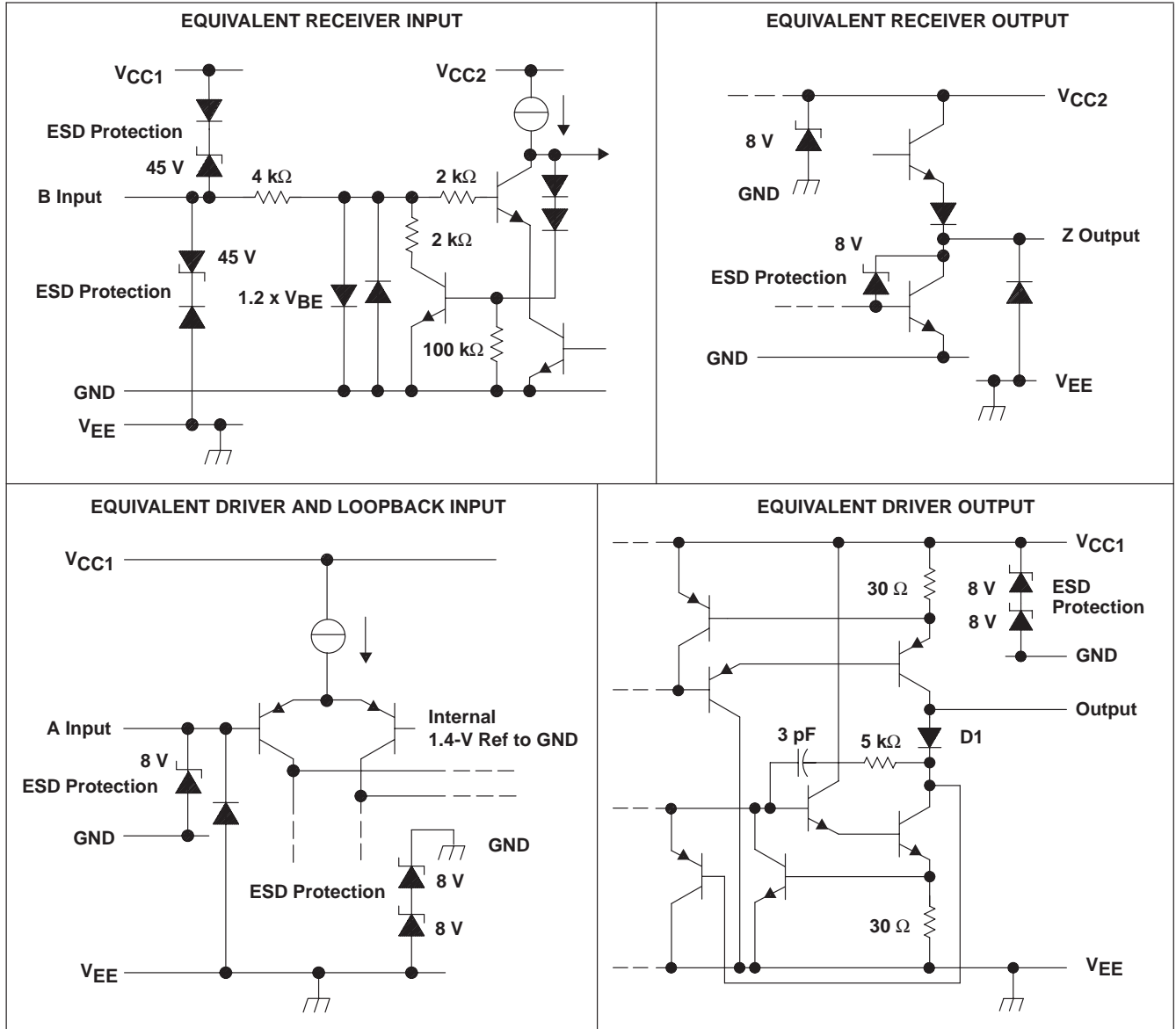
‡ This symbol is in accordance with ANSI/IEEE Std 91-1984 and IEC Publication 617-12.

Pin numbers shown are for the DW package.

SN75186 QUADRUPLE DRIVER/RECEIVER WITH LOOPBACK

SLLS068C – FEBRUARY 1990 – REVISED MAY 1995

schematics of inputs and outputs



All component values shown are nominal.

SN75186 QUADRUPLE DRIVER/RECEIVER WITH LOOPBACK

SLLS068C – FEBRUARY 1990 – REVISED MAY 1995

absolute maximum ratings over operating free-air temperature range (unless otherwise noted)†

Supply voltage, V_{CC1} (see Note 1)	15 V
Supply voltage, V_{CC2}	7 V
Supply voltage, V_{EE}	-15 V
Receiver input voltage range, V_I	-30 V to 30 V
Driver input voltage range, V_I	($V_{EE} + 2$ V) to V_{CC1}
Loopback input voltage range, V_I	0 V to 7 V
Driver output voltage range, V_O	-30 V to 30 V
Continuous total power dissipation	See Dissipation Rating Table
Operating free-air temperature range, T_A	0°C to 70°C
Storage temperature range, T_{stg}	-65°C to 150°C
Case temperature for 10 seconds: FN package	260°C
Lead temperature 1,6 mm (1/16 inch) from case for 10 seconds: DW package	260°C

† Stresses beyond those listed under “absolute maximum ratings” may cause permanent damage to the device. These are stress ratings only, and functional operation of the device at these or any other conditions beyond those indicated under “recommended operating conditions” is not implied. Exposure to absolute-maximum-rated conditions for extended periods may affect device reliability.

NOTE 1: All voltages are with respect to the network ground terminal.

DISSIPATION RATING TABLE

PACKAGE	$T_A \leq 25^\circ\text{C}$ POWER RATING	DERATING FACTOR ABOVE $T_A = 25^\circ\text{C}$	$T_A = 70^\circ\text{C}$ POWER RATING
DW	1350 mW	10.8 mW/°C	864 mW
FN	1400 mW	11.2 mW/°C	896 mW

recommended operating conditions

	MIN	NOM	MAX	UNIT
Supply voltage, V_{CC1}	10.8	12	13.2	V
Supply voltage, V_{CC2}	4.5	5	5.5	V
Supply voltage, V_{EE}	-10.8	-12	-13.2	V
Input voltage, V_I	Driver and loopback		0	V_{CC2}
Input voltage, V_I (see Note 2)	Receiver		± 30	V
High-level input voltage, V_{IH}	Driver and loopback		2	V
Low-level input voltage, V_{IL}	Driver and loopback		0.8	V
Output voltage powered on or off, V_O	Driver		± 30	V
High-level output current, I_{OH}	Receiver		-4	mA
Low-level output current, I_{OL}	Receiver		4	mA
Operating free-air temperature, T_A	0		70	°C

NOTE 2: If all receiver inputs are held at ± 30 V, the thermal dissipation limit of the package may be exceeded. The thermal shutdown may not protect the device, as this dissipation occurs in the receiver input resistors.



SN75186 QUADRUPLE DRIVER/RECEIVER WITH LOOPBACK

SLLS068C – FEBRUARY 1990 – REVISED MAY 1995

DRIVER SECTION

electrical characteristics over full recommended ranges of supply voltage and operating free-air temperature (unless otherwise noted)

PARAMETER		TEST CONDITIONS		MIN	TYP†	MAX	UNIT
V_{OH}	High-level output voltage	$R_L = 3\text{ k}\Omega$,	$V_{IL} = 0.8\text{ V}$, See Figure 1	7			V
V_{OL}	Low-level output voltage‡	$R_L = 3\text{ k}\Omega$,	$V_{IH} = 2\text{ V}$, See Figure 1			-7	V
$V_{OH(LB)}$	High-level output voltage in loopback mode‡§¶	$R_L = 3\text{ k}\Omega$,	\overline{LB} at 0.8 V, $V_{IL} = 0.8\text{ V}$			-7	V
I_{IH}	High-level input current (driver and loopback inputs)#	$V_I = 5\text{ V}$,	See Figure 2			100	μA
I_{IL}	Low-level input current (driver and loopback inputs)#					-100	μA
$V_{OS(H)}$	High-level short-circuit output current	$V_I = 0.8\text{ V}$,	$V_O = 0$, See Note 3 and Figure 1	-10	-20	-35	mA
$V_{OS(L)}$	Low-level short-circuit output current	$V_I = 2\text{ V}$,	$V_O = 0$, See Note 3 and Figure 1	10	20	35	mA
I_{CC1}	Supply current from V_{CC1}	No load			2.5	4	mA
$I_{CC1(LB)}$	Supply current from V_{CC1} with loopback on	No load,	\overline{LB} at 0.8 V			10	mA
I_{EE}	Supply current from V_{EE}	No load			-2.5	-4	mA
$I_{EE(LB)}$	Supply current from V_{EE} with loopback on	No load,	\overline{LB} at 0.8 V			-10	mA
I_{CC2}	Supply current from V_{CC2}	No load,	$V_I = 0$, See Note 5		-10	-100	μA
$I_{CC2(LB)}$	Supply current from V_{CC2} with loopback on	No load, See Note 5	\overline{LB} at 0.8 V, $V_I = 0$,		-10	-100	μA
r_o	Output resistance	$V_{CC1} = V_{EE} = V_{CC2} = 0$, See Note 4	$V_O = -2\text{ V to } 2\text{ V}$,	0.3	5		$\text{k}\Omega$

† All typical values are at $T_A = 25^\circ\text{C}$.

‡ The algebraic convention, where the more positive (less negative) limit is designated as maximum, is used in this data sheet for logic levels only.

§ This is the most positive level to which the driver output rises when the device is in the loopback mode and the driver input is at a low level.

¶ The loopback mode should be entered only when the driver output is in the low (marking) state.

Unused driver inputs should be tied to 0 V or V_{CC2} ; unused loopback inputs should be tied to V_{CC2} .

NOTES: 3. Minimum $I_{OS(H)}$ and $I_{OS(L)}$ are specified at $V_O = 0$, as this more accurately describes the output current needed to dynamically drive capacitive lines. A minimum of $\pm 10\text{ mA}$ is sufficient to drive 2500 pF in parallel with 3 k Ω at a slew rate of 4 V/ μs (in accordance with EIA/TIA-232-E and V.28).

4. Test conditions are those specified by EIA/TIA-232-E.

5. Without a load and $V_I = 0$, the worst-case conditions, V_{CC2} sources a small current originating from V_{CC1} giving I_{CC2} supply current a negative sign. When a receiver has an output load, V_{CC2} sinks static and dynamic supply currents to meet load requirements.

SN75186 QUADRUPLE DRIVER/RECEIVER WITH LOOPBACK

SLLS068C – FEBRUARY 1990 – REVISED MAY 1995

switching characteristics over full recommended ranges of supply voltages and operating free-air temperature (unless otherwise noted)

PARAMETER		TEST CONDITIONS	MIN	TYP†	MAX	UNIT
t _{PLH}	Propagation delay time, low- to high-level output	R _L = 3 kΩ to 7 kΩ, C _L = 15 pF, See Figure 3		0.6	5	μs
t _{PHL}	Propagation delay time, high- to low-level output			0.8	5	μs
t _{sk}	t _{PLH} – t _{PHL}	R _L = 3 kΩ to 7 kΩ, C _L = 15 pF to 2500 pF		0.2	1	μs
SR	Output slew rate	R _L = 3 kΩ to 7 kΩ, C _L = 15 pF to 2500 pF	4		30	V/μs
t _{pd(ILB)}	Propagation delay time going into loopback mode‡	R _L = 3 kΩ to 7 kΩ, See Note 6 and Figure 7		3	50	μs
t _{pd(OLB)}	Propagation delay time going out of loopback mode§	R _L = 3 kΩ to 7 kΩ, See Note 6 and Figure 7		3	50	μs
t _{pd(LB)}	Propagation delay time in loopback mode¶	R _L = 3 kΩ to 7 kΩ, See Note 6 and Figure 8		3	15	μs
t _{sk}	Skew time in loopback mode	R _L = 3 kΩ to 7 kΩ, See Note 6		4	10	μs

† All typical values are at T_A = 25°C.

‡ This is the delay between entering the loopback mode and when the data on the receiver output becomes valid.

§ This is the worst-case (rising or falling edges) total propagation delay between driver input and receiver output when in the loopback mode.

¶ This is the magnitude of the difference between the propagation delay time of the rising and falling edges of t_{pd(LB)}.

NOTE 6: Skew time is the magnitude of the difference between t_{PHL} and t_{PLH} and is measured with a 0-to-3-V input pulse.



RECEIVER SECTION

electrical characteristics over full recommended ranges of supply voltages and operating free-air temperature (unless otherwise noted)

PARAMETER		TEST CONDITIONS	MIN	TYP†	MAX	UNIT
V_{IT+}	Positive-going input threshold voltage	See Figure 5	1.3	2	2.5	V
V_{IT-}	Negative-going input threshold voltage	See Figure 5	0.5	1	1.7	V
V_{hys}	Input hysteresis voltage ($V_{IT+} - V_{IT-}$)		0.5	1	1.5	V
V_{OH}	High-level output voltage	$V_I = -3$ V or inputs open, $I_{OH} = -20$ μ A	3.5			V
		$I_{OH} = -4$ mA, See Note 7 and Figure 5	2.4			
V_{OL}	Low-level output voltage	$I_{OL} = 4$ mA, $V_I = 3$ V, See Figure 5			0.4	V
$I_{OS(H)}$	Short-circuit output current at high level	$V_{OH} = 0$, See Figure 4		-20	-60	mA
$I_{OS(L)}$	Short-circuit output current at low level	$V_{OL} = V_{CC2}$, See Figure 4		20	60	mA
r_i	Input resistance	$ V_I \leq 25$ V	3			k Ω
		$ V_I = 3$ V to 25 V			7	

† All typical values are at $T_A = 25^\circ\text{C}$.

NOTE 7: If the inputs are left unconnected, the receiver interprets this as a low input and the receiver outputs will remain in the high state.

switching characteristics over full recommended ranges of supply voltages and operating free-air temperature (unless otherwise noted)

PARAMETER		TEST CONDITIONS	MIN	TYP†	MAX	UNIT
t_{PLH}	Propagation delay time, low- to high-level output	See Figure 6		2	6	μ s
t_{PHL}	Propagation delay time, high- to low-level output			2	6	μ s
t_{TLH}	Transition time, low- to high-level output‡	$C_L = 50$ pF, See Figure 6		200	300	ns
t_{THL}	Transition time, high- to low-level output‡			50	300	ns
t_{sk}	$ t_{PLH} - t_{PHL} $			0.1	1	μ s
t_w	Maximum pulse duration assumed to be noise§	Pulse amplitude = 5 V	1	2	4	μ s

† All typical values are at $T_A = 25^\circ\text{C}$.

‡ Transition times are measured between 10% and 90% points on output waveform.

§ The receiver will ignore any positive- or negative-going pulse whose duration is less than the minimum value of t_w and accept any positive- or negative-going pulse whose duration is greater than the maximum value of t_w .

SN75186 QUADRUPLE DRIVER/RECEIVER WITH LOOPBACK

SLLS068C – FEBRUARY 1990 – REVISED MAY 1995

PARAMETER MEASUREMENT INFORMATION

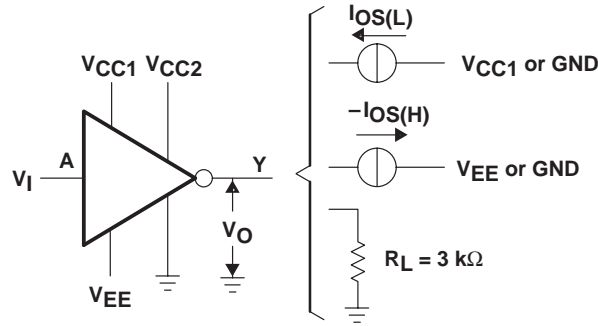


Figure 1. Driver Test Circuit, V_{OH} , V_{OL} , $I_{OS(L)}$, $I_{OS(H)}$

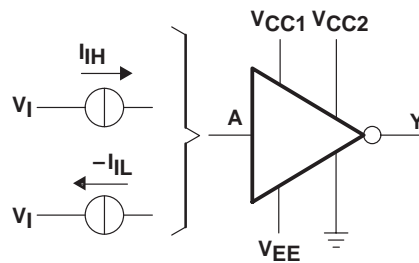
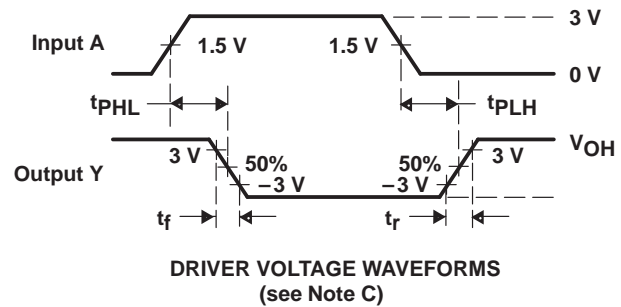
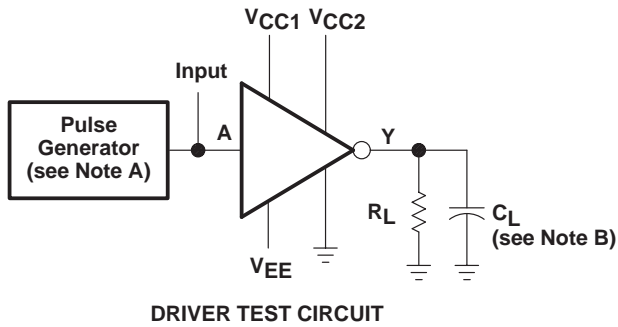


Figure 2. Driver and Loopback Test Circuit, I_{iL} , I_{iH}



- NOTES: A. The pulse generator has the following characteristics: $t_w = 25 \mu s$, $PRR = 20 \text{ kHz}$, $Z_O = 50 \Omega$.
 B. C_L includes probe and jig capacitance.
 C. Slew rate = $\frac{6 \text{ V}}{t_r \text{ or } t_f}$

Figure 3. Driver Test Circuit and Voltage Waveforms

PARAMETER MEASUREMENT INFORMATION

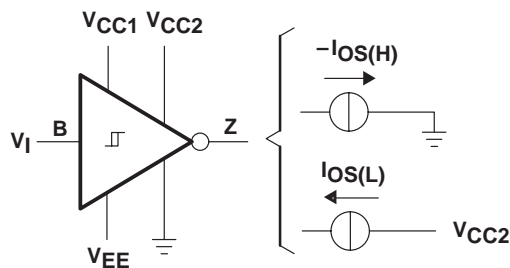


Figure 4. Receiver Test Circuit, $I_{OS(H)}$, $I_{OS(L)}$

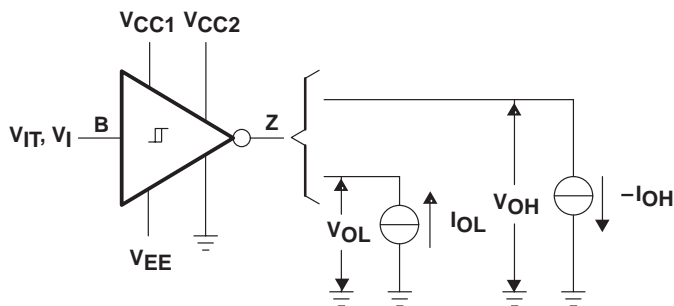
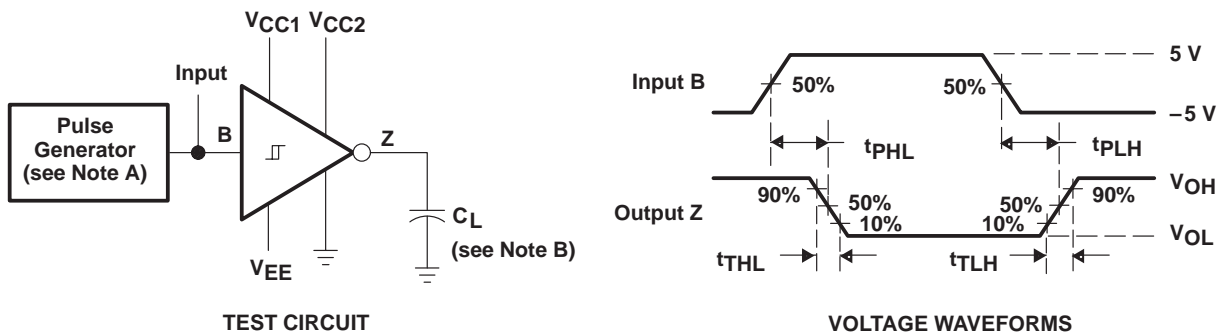


Figure 5. Receiver Test Circuit, V_{IT} , V_{OL} , V_{OH}



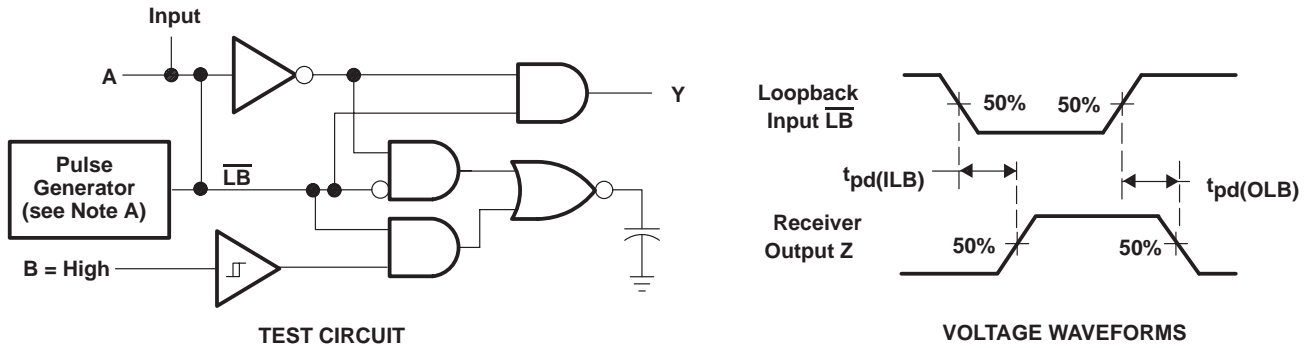
NOTES: A. The pulse generator has the following characteristics: $t_w = 25 \mu s$, $PRR = 20 \text{ kHz}$, $Z_O = 50 \Omega$.
 B. C_L includes probe and jig capacitance.

Figure 6. Receiver Propagation and Transition Times

SN75186 QUADRUPLE DRIVER/RECEIVER WITH LOOPBACK

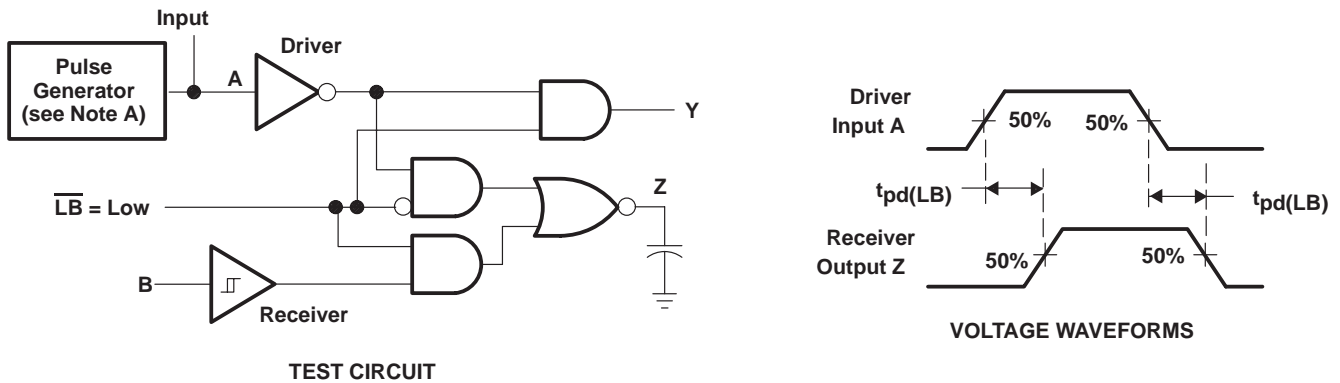
SLLS068C – FEBRUARY 1990 – REVISED MAY 1995

PARAMETER MEASUREMENT INFORMATION



- NOTES: A. The pulse generator has the following characteristics: $t_w = 25 \mu s$, $PRR = 20 \text{ kHz}$, $Z_O = 50 \Omega$.
 B. C_L includes probe and jig capacitance.

Figure 7. Loopback Entry and Exit Propagation Times



- NOTES: A. The pulse generator has the following characteristics: $t_w = 25 \mu s$, $PRR = 20 \text{ kHz}$, $Z_O = 50 \Omega$.
 B. C_L includes probe and jig capacitance.

Figure 8. Loop Propagation Times in Loopback Mode

PRINCIPLES OF OPERATION

In normal operation, the SN75186 acts as four independent drivers and receivers; the loopback mode is held off by keeping logic inputs $\overline{\text{LB}}$ high. Taking a particular $\overline{\text{LB}}$ input low activates the loopback mode in the corresponding driver/receiver pair. This causes the output from that driver to be fed back to the input of its receiver through dedicated internal loopback circuitry. Data from the receiver output can then be compared, by a communication system, with the data transmitted to the driver to determine if the functional operation of the driver and receiver together is correct.

In the loopback mode, external data at the input of the receiver is ignored and the driver does not transmit data onto the line. Extraneous data is prevented internally from being sent by the driver in the loopback mode by clamping its output to a level below the maximum interface voltage, -5 V , or the EIA/TIA-232-E marking state. Below this marking level, a reduced 1.5-V output amplitude is used at the driver output. This signal is detected by an on-chip loopback comparator and fed to the input stage of the receiver to complete the loop.

Line faults external to the SN75186 are detected in addition to device failures. These line faults include short circuits to ground and to external supply voltages that are greater than $(V_{EE} + 7\text{ V})$ and less than V_{EE} typically. For example, with $V_{EE} = -12\text{ V}$, line short circuits to voltages greater than -5 V and less than -12 V will be detected. The loopback mode should be entered only when the driver output is low, that is, the marking state of EIA/TIA-232-E. Loopback should not be entered when the driver output is in a high state as this may cause a low-level, nondamaging oscillation at the driver output.

When in the loopback mode, approximately 95% of the SN75186 circuit is functionally checked. There exists some low probability of fault mechanisms in circuitry not being checked in the loopback mode. To reduce the chances of undetected failure, the unchecked circuitry has been designed to be more robust than that within the loopback test loop. The areas where special attention has been paid are the receiver input potential divider and resistors, the driver output blocking diode (D1), and parts of the driver clamp circuit.

Protection of the SN75186 is achieved by means of driver output current limits and a thermal trip. Although this device can withstand $\pm 30\text{ V}$ at its receiver input, package thermal dissipation limitations have to be taken into consideration if more than one receiver is connected simultaneously. This is due to the possible dissipation in the 3-k Ω minimum input resistors, which is not under the control of the thermal trip. Although the supply current is higher in the loopback mode than in normal operation, the total power dissipation is not sufficient under normal worst-case conditions (of receiver input $V_I = 15\text{ V} + 10\%$, receiver output voltage = 2.4 V at 4 mA, driver load of 3 k Ω) to cause the thermal limiting circuitry to trip.

If the SN75186 goes into thermal trip, the output of the driver goes to a high-impedance state and the receiver output is held in a logic-high marking state. Both driver and receiver outputs maintain a marking state and do not allow indeterminate conditions to exist.

The standards specify a minimum driver output resistance to ground of 300 Ω when the device is powered off. To fully comply with EIA/TIA-232-E power-off fault conditions, many drivers need diodes in series with each supply voltage to prevent reverse current flow and driver damage. The SN75186 overcomes this need by providing a high-impedance driver output of typically 5 k Ω under power-off conditions through the use of the equivalent of these series diodes in the driver output circuit.

PACKAGING INFORMATION

Orderable Device	Status ⁽¹⁾	Package Type	Package Drawing	Pins	Package Qty	Eco Plan ⁽²⁾	Lead/Ball Finish	MSL Peak Temp ⁽³⁾
SN75186DW	ACTIVE	SOIC	DW	24	25	Pb-Free (RoHS)	CU NIPDAU	Level-2-250C-1 YEAR/ Level-1-235C-UNLIM
SN75186DWR	ACTIVE	SOIC	DW	24	2000	Pb-Free (RoHS)	CU NIPDAU	Level-2-250C-1 YEAR/ Level-1-235C-UNLIM
SN75186FN	OBSOLETE	PLCC	FN	28		None	Call TI	Call TI
SN75186FNR	OBSOLETE	PLCC	FN	28		None	Call TI	Call TI

⁽¹⁾ The marketing status values are defined as follows:

ACTIVE: Product device recommended for new designs.

LIFEBUY: TI has announced that the device will be discontinued, and a lifetime-buy period is in effect.

NRND: Not recommended for new designs. Device is in production to support existing customers, but TI does not recommend using this part in a new design.

PREVIEW: Device has been announced but is not in production. Samples may or may not be available.

OBSOLETE: TI has discontinued the production of the device.

⁽²⁾ Eco Plan - May not be currently available - please check <http://www.ti.com/productcontent> for the latest availability information and additional product content details.

None: Not yet available Lead (Pb-Free).

Pb-Free (RoHS): TI's terms "Lead-Free" or "Pb-Free" mean semiconductor products that are compatible with the current RoHS requirements for all 6 substances, including the requirement that lead not exceed 0.1% by weight in homogeneous materials. Where designed to be soldered at high temperatures, TI Pb-Free products are suitable for use in specified lead-free processes.

Green (RoHS & no Sb/Br): TI defines "Green" to mean "Pb-Free" and in addition, uses package materials that do not contain halogens, including bromine (Br) or antimony (Sb) above 0.1% of total product weight.

⁽³⁾ MSL, Peak Temp. -- The Moisture Sensitivity Level rating according to the JEDEC industry standard classifications, and peak solder temperature.

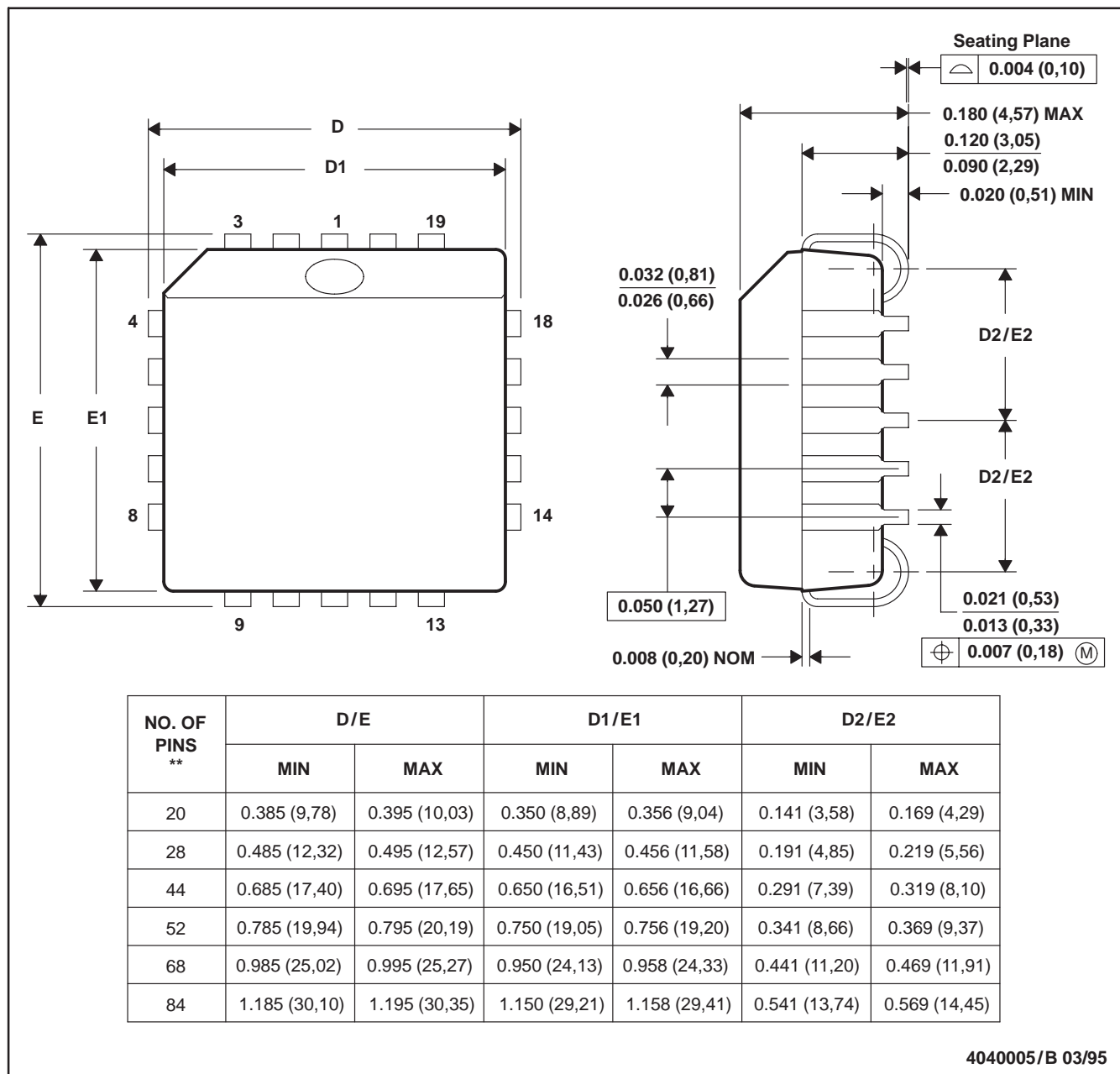
Important Information and Disclaimer: The information provided on this page represents TI's knowledge and belief as of the date that it is provided. TI bases its knowledge and belief on information provided by third parties, and makes no representation or warranty as to the accuracy of such information. Efforts are underway to better integrate information from third parties. TI has taken and continues to take reasonable steps to provide representative and accurate information but may not have conducted destructive testing or chemical analysis on incoming materials and chemicals. TI and TI suppliers consider certain information to be proprietary, and thus CAS numbers and other limited information may not be available for release.

In no event shall TI's liability arising out of such information exceed the total purchase price of the TI part(s) at issue in this document sold by TI to Customer on an annual basis.

FN (S-PQCC-J**)

PLASTIC J-LEADED CHIP CARRIER

20 PIN SHOWN



- NOTES: A. All linear dimensions are in inches (millimeters).
 B. This drawing is subject to change without notice.
 C. Falls within JEDEC MS-018

IMPORTANT NOTICE

Texas Instruments Incorporated and its subsidiaries (TI) reserve the right to make corrections, modifications, enhancements, improvements, and other changes to its products and services at any time and to discontinue any product or service without notice. Customers should obtain the latest relevant information before placing orders and should verify that such information is current and complete. All products are sold subject to TI's terms and conditions of sale supplied at the time of order acknowledgment.

TI warrants performance of its hardware products to the specifications applicable at the time of sale in accordance with TI's standard warranty. Testing and other quality control techniques are used to the extent TI deems necessary to support this warranty. Except where mandated by government requirements, testing of all parameters of each product is not necessarily performed.

TI assumes no liability for applications assistance or customer product design. Customers are responsible for their products and applications using TI components. To minimize the risks associated with customer products and applications, customers should provide adequate design and operating safeguards.

TI does not warrant or represent that any license, either express or implied, is granted under any TI patent right, copyright, mask work right, or other TI intellectual property right relating to any combination, machine, or process in which TI products or services are used. Information published by TI regarding third-party products or services does not constitute a license from TI to use such products or services or a warranty or endorsement thereof. Use of such information may require a license from a third party under the patents or other intellectual property of the third party, or a license from TI under the patents or other intellectual property of TI.

Reproduction of information in TI data books or data sheets is permissible only if reproduction is without alteration and is accompanied by all associated warranties, conditions, limitations, and notices. Reproduction of this information with alteration is an unfair and deceptive business practice. TI is not responsible or liable for such altered documentation.

Resale of TI products or services with statements different from or beyond the parameters stated by TI for that product or service voids all express and any implied warranties for the associated TI product or service and is an unfair and deceptive business practice. TI is not responsible or liable for any such statements.

Following are URLs where you can obtain information on other Texas Instruments products and application solutions:

Products		Applications	
Amplifiers	amplifier.ti.com	Audio	www.ti.com/audio
Data Converters	dataconverter.ti.com	Automotive	www.ti.com/automotive
DSP	dsp.ti.com	Broadband	www.ti.com/broadband
Interface	interface.ti.com	Digital Control	www.ti.com/digitalcontrol
Logic	logic.ti.com	Military	www.ti.com/military
Power Mgmt	power.ti.com	Optical Networking	www.ti.com/opticalnetwork
Microcontrollers	microcontroller.ti.com	Security	www.ti.com/security
		Telephony	www.ti.com/telephony
		Video & Imaging	www.ti.com/video
		Wireless	www.ti.com/wireless

Mailing Address: Texas Instruments
Post Office Box 655303 Dallas, Texas 75265