

# TL061, TL061A, TL061B, TL062, TL062A TL062B, TL064, TL064A, TL064B LOW-POWER JFET-INPUT OPERATIONAL AMPLIFIERS

SLOS078G – NOVEMBER 1978 – REVISED MAY 2002

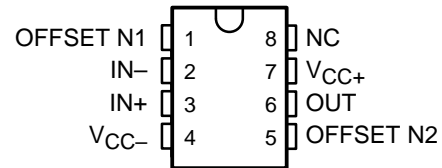
- Very Low Power Consumption
- Typical Supply Current . . . 200  $\mu$ A (Per Amplifier)
- Wide Common-Mode and Differential Voltage Ranges
- Low Input Bias and Offset Currents
- Common-Mode Input Voltage Range Includes  $V_{CC+}$
- Output Short-Circuit Protection
- High Input Impedance . . . JFET-Input Stage
- Internal Frequency Compensation
- Latch-Up-Free Operation
- High Slew Rate . . . 3.5 V/ $\mu$ s Typ

## description

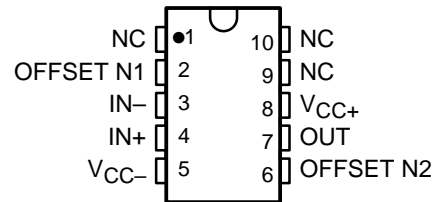
The JFET-input operational amplifiers of the TL06\_ series are designed as low-power versions of the TL08\_ series amplifiers. They feature high input impedance, wide bandwidth, high slew rate, and low input offset and input bias currents. The TL06\_ series feature the same terminal assignments as the TL07\_ and TL08\_ series. Each of these JFET-input operational amplifiers incorporates well-matched, high-voltage JFET and bipolar transistors in a monolithic integrated circuit.

The C-suffix devices are characterized for operation from 0°C to 70°C. The I-suffix devices are characterized for operation from -40°C to 85°C, and the M-suffix devices are characterized for operation over the full military temperature range of -55°C to 125°C.

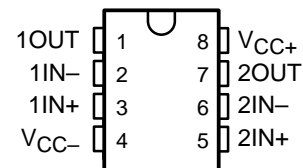
TL061, TL061A, TL061B  
D, JG, P, OR PW PACKAGE  
(TOP VIEW)



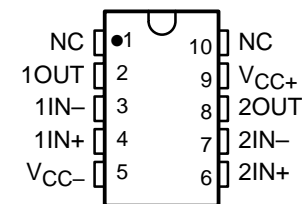
TL061 . . . U PACKAGE  
(TOP VIEW)



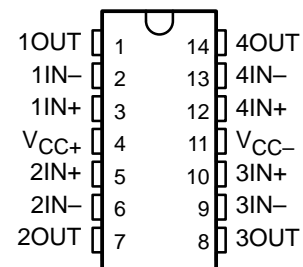
TL062, TL062A, TL062B  
D, JG, P, OR PW PACKAGE  
(TOP VIEW)



TL062 . . . U PACKAGE  
(TOP VIEW)



TL064 . . . D, J, N, PW, OR W PACKAGE  
TL064A, TL064B . . . D OR N PACKAGE  
(TOP VIEW)



NC – No internal connection



Please be aware that an important notice concerning availability, standard warranty, and use in critical applications of Texas Instruments semiconductor products and disclaimers thereto appears at the end of this data sheet.

PRODUCTION DATA information is current as of publication date. Products conform to specifications per the terms of Texas Instruments standard warranty. Production processing does not necessarily include testing of all parameters.

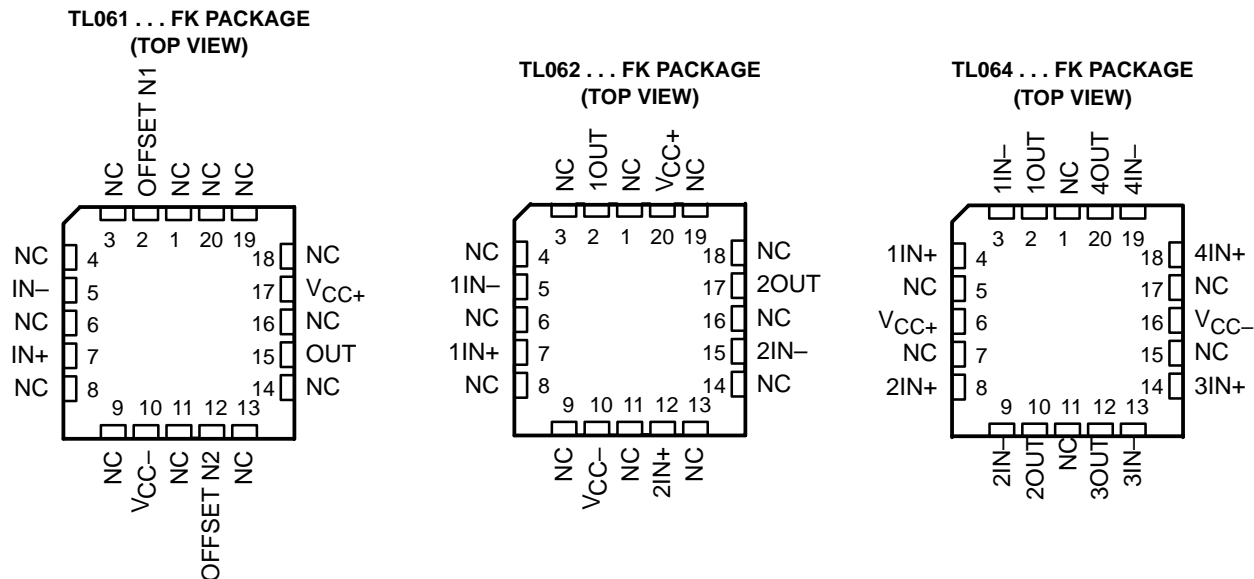
 **TEXAS  
INSTRUMENTS**

POST OFFICE BOX 655303 • DALLAS, TEXAS 75265

Copyright © 2002, Texas Instruments Incorporated  
On products compliant to MIL-PRF-38535, all parameters are tested unless otherwise noted. On all other products, production processing does not necessarily include testing of all parameters.

# TL061, TL061A, TL061B, TL062, TL062A TL062B, TL064, TL064A, TL064B LOW-POWER JFET-INPUT OPERATIONAL AMPLIFIERS

SLOS078G – NOVEMBER 1978 – REVISED MAY 2002



NC – No internal connection

### AVAILABLE OPTIONS

T <sub>A</sub>	V <sub>IO</sub> MAX AT 25°C	PACKAGE				
		SMALL OUTLINE (D008)†	SMALL OUTLINE (D014)†	PLASTIC DIP (N)	PLASTIC DIP (P)	TSSOP (PW)
0°C to 70°C	15 mV 6 mV 3 mV	TL061CD TL061ACD TL061BCD			TL061CP TL061ACP TL061BCP	TL061CPW
	15 mV 6 mV 3 mV	TL062CD TL062ACD TL062BCD			TL062CP TL062ACP TL062BCP	TL062CPW
	15 mV 6 mV 3 mV		TL064CD TL064ACD TL064BCD	TL064CN TL064ACN TL064BCN		TL064CPW

T <sub>A</sub>	V <sub>IO</sub> MAX AT 25°C	PACKAGE								
		SMALL OUTLINE (D008)†	SMALL OUTLINE (D014)†	CHIP CARRIER (FK)	CERAMIC DIP (J)	CERAMIC DIP (JG)	PLASTIC DIP (N)	PLASTIC DIP (P)	FLAT PACK (U)	FLAT PACK (W)
-40°C to 85°C	6 mV	TL061ID TL062ID	TL064ID				TL064IN	TL061IP TL062IP		
-55°C to 125°C	6 mV 9 mV			TL062MFK TL064MFK	TL064MJ	TL062MJG			TL062MU	TL064MW

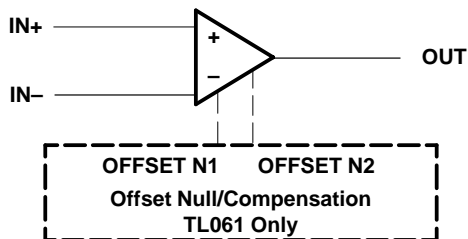
† The D package is available taped and reeled. Add the suffix R to the device type (e.g., TL061CDR).



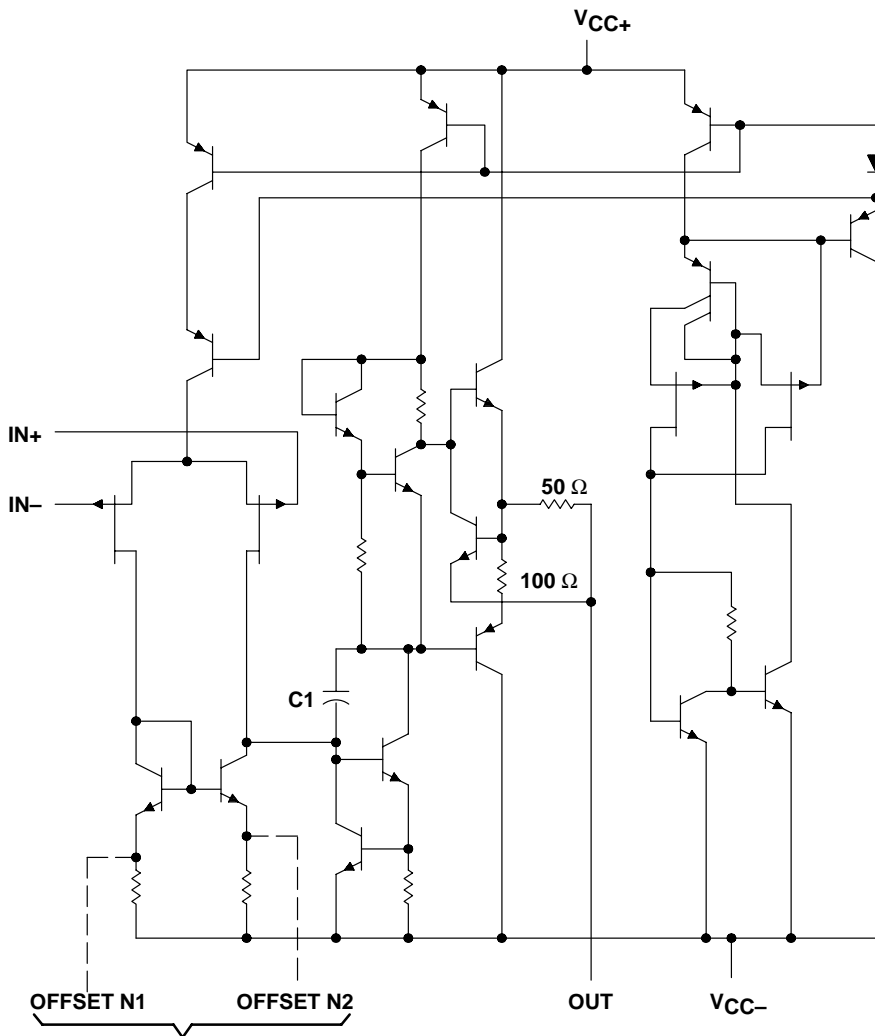
TL061, TL061A, TL061B, TL062, TL062A  
 TL062B, TL064, TL064A, TL064B  
**LOW-POWER JFET-INPUT OPERATIONAL AMPLIFIERS**

SLOS078G – NOVEMBER 1978 – REVISED MAY 2002

symbol (each amplifier)



schematic (each amplifier)



**TL061 Only**  
 C1 = 10 pF on TL061, TL062, and TL064  
 Component values shown are nominal.

**TL061, TL061A, TL061B, TL062, TL062A  
TL062B, TL064, TL064A, TL064B  
LOW-POWER JFET-INPUT OPERATIONAL AMPLIFIERS**

SLOS078G – NOVEMBER 1978 – REVISED MAY 2002

**absolute maximum ratings over operating free-air temperature range (unless otherwise noted)†**

	TL06_C TL06_AC TL06_BC	TL06_I	TL06_M	UNIT
Supply voltage, $V_{CC+}$ (see Note 1)	18	18	18	V
Supply voltage, $V_{CC-}$ (see Note 1)	-18	-18	-18	V
Differential input voltage, $V_{ID}$ (see Note 2)	$\pm 30$	$\pm 30$	$\pm 30$	V
Input voltage, $V_I$ (see Notes 1 and 3)	$\pm 15$	$\pm 15$	$\pm 15$	V
Duration of output short circuit (see Note 4)	Unlimited	Unlimited	Unlimited	
Continuous total dissipation	See Dissipation Rating Table			
Storage temperature range, $T_{stg}$	-65 to 150	-65 to 150	-65 to 150	°C
Case temperature for 60 seconds	FK package		260	°C
Lead temperature 1,6 mm (1/16 inch) from case for 60 seconds	J, JG, U, or W package		300	°C
Lead temperature 1,6 mm (1/16 inch) from case for 10 seconds	D, N, P, or PW package	260	260	°C

† Stresses beyond those listed under "absolute maximum ratings" may cause permanent damage to the device. These are stress ratings only, and functional operation of the device at these or any other conditions beyond those indicated under "recommended operating conditions" is not implied. Exposure to absolute-maximum-rated conditions for extended periods may affect device reliability.

- NOTES:
1. All voltage values except differential voltages are with respect to the midpoint between  $V_{CC+}$  and  $V_{CC-}$ .
  2. Differential voltages are at  $IN+$  with respect to  $IN-$ .
  3. The magnitude of the input voltage must never exceed the magnitude of the supply voltage or 15 V, whichever is less.
  4. The output may be shorted to ground or to either supply. Temperature and/or supply voltages must be limited to ensure that the dissipation rating is not exceeded.

**DISSIPATION RATING TABLE**

PACKAGE	$T_A \leq 25^\circ\text{C}$ POWER RATING	DERATING FACTOR	DERATE ABOVE $T_A$	$T_A = 70^\circ\text{C}$ POWER RATING	$T_A = 85^\circ\text{C}$ POWER RATING	$T_A = 125^\circ\text{C}$ POWER RATING
D (8 pin)	680 mW	5.8 mW/°C	33°C	465 mW	378 mW	N/A
D (14 pin)	680 mW	7.6 mW/°C	60°C	604 mW	490 mW	N/A
FK	680 mW	11.0 mW/°C	88°C	680 mW	680 mW	273 mW
J	680 mW	11.0 mW/°C	88°C	680 mW	680 mW	273 mW
JG	680 mW	8.4 mW/°C	69°C	672 mW	546 mW	210 mW
N	680 mW	9.2 mW/°C	76°C	680 mW	597 mW	N/A
P	680 mW	8.0 mW/°C	65°C	640 mW	520 mW	N/A
PW (8 pin)	525 mW	4.2 mW/°C	25°C	336 mW	N/A	N/A
PW (14 pin)	700 mW	5.6 mW/°C	25°C	448 mW	N/A	N/A
U	675 mW	5.4 mW/°C	25°C	432 mW	351 mW	135 mW
W	680 mW	8.0 mW/°C	65°C	640 mW	520 mW	200 mW



**TL061, TL061A, TL061B, TL062, TL062A  
TL062B, TL064, TL064A, TL064B  
LOW-POWER JFET-INPUT OPERATIONAL AMPLIFIERS**

SLOS078G – NOVEMBER 1978 – REVISED MAY 2002

**electrical characteristics,  $V_{CC\pm} = \pm 15$  V (unless otherwise noted)**

PARAMETER	TEST CONDITIONS†		TL061C TL062C TL064C			TL061AC TL062AC TL064AC			UNIT
			MIN	TYP	MAX	MIN	TYP	MAX	
$V_{IO}$ Input offset voltage	$V_O = 0,$ $R_S = 50 \Omega$	$T_A = 25^\circ\text{C}$	3 15		3 6		mV		
		$T_A = \text{Full range}$	20		7.5				
$\alpha_{V_{IO}}$ Temperature coefficient of input offset voltage	$V_O = 0, R_S = 50 \Omega,$ $T_A = \text{Full range}$		10			10		$\mu\text{V}/^\circ\text{C}$	
$I_{IO}$ Input offset current	$V_O = 0$	$T_A = 25^\circ\text{C}$	5 200		5 100		pA		
		$T_A = \text{Full range}$	5		3		nA		
$I_{IB}$ Input bias current‡	$V_O = 0$	$T_A = 25^\circ\text{C}$	30 400		30 200		pA		
		$T_A = \text{Full range}$	10		7		nA		
$V_{ICR}$ Common-mode input voltage range	$T_A = 25^\circ\text{C}$		$\pm 11$	-12 to 15	$\pm 11$	-12 to 15	V		
$V_{OM}$ Maximum peak output voltage swing	$R_L = 10 \text{ k}\Omega, T_A = 25^\circ\text{C}$		$\pm 10$	$\pm 13.5$	$\pm 10$	$\pm 13.5$	V		
	$R_L \geq 10 \text{ k}\Omega, T_A = \text{Full range}$		$\pm 10$		$\pm 10$				
$A_{VD}$ Large-signal differential voltage amplification	$V_O = \pm 10 \text{ V},$ $R_L \geq 10 \text{ k}\Omega$	$T_A = 25^\circ\text{C}$	3 6		4 6		V/mV		
		$T_A = \text{Full range}$	3		4				
$B_1$ Unity-gain bandwidth	$R_L = 10 \text{ k}\Omega, T_A = 25^\circ\text{C}$		1		1		MHz		
$r_i$ Input resistance	$T_A = 25^\circ\text{C}$		$10^{12}$			$10^{12}$	$\Omega$		
CMRR Common-mode rejection ratio	$V_{IC} = V_{ICRmin}, V_O = 0,$ $R_S = 50 \Omega, T_A = 25^\circ\text{C}$		70 86		80 86		dB		
$k_{SVR}$ Supply-voltage rejection ratio ( $\Delta V_{CC\pm}/\Delta V_{IO}$ )	$V_{CC} = \pm 9 \text{ V to } \pm 15 \text{ V},$ $V_O = 0, R_S = 50 \Omega,$ $T_A = 25^\circ\text{C}$		70 95		80 95		dB		
$P_D$ Total power dissipation (each amplifier)	$V_O = 0,$ No load	$T_A = 25^\circ\text{C},$	6 7.5		6 7.5		mW		
$I_{CC}$ Supply current (each amplifier)	$V_O = 0,$ No load	$T_A = 25^\circ\text{C},$	200 250		200 250		$\mu\text{A}$		
$V_{O1}/V_{O2}$ Crosstalk attenuation	$A_{VD} = 100, T_A = 25^\circ\text{C}$		120		120		dB		

† All characteristics are measured under open-loop conditions with zero common-mode input voltage unless otherwise specified. Full range for  $T_A$  is  $0^\circ\text{C}$  to  $70^\circ\text{C}$  for TL06\_C, TL06\_AC, and TL06\_BC and  $-40^\circ\text{C}$  to  $85^\circ\text{C}$  for TL06\_I.

‡ Input bias currents of an FET-input operational amplifier are normal junction reverse currents, which are temperature sensitive, as shown in Figure 15. Pulse techniques are used to maintain the junction temperature as close to the ambient temperature as possible.

**TL061, TL061A, TL061B, TL062, TL062A  
TL062B, TL064, TL064A, TL064B  
LOW-POWER JFET-INPUT OPERATIONAL AMPLIFIERS**

SLOS078G – NOVEMBER 1978 – REVISED MAY 2002

**electrical characteristics,  $V_{CC\pm} = \pm 15\text{ V}$  (unless otherwise noted)**

PARAMETER	TEST CONDITIONS†	TL061BC TL062BC TL064BC			TL061 TL062I TL064I			UNIT		
		MIN	TYP	MAX	MIN	TYP	MAX			
$V_{IO}$	Input offset voltage	$V_O = 0,$ $R_S = 50\ \Omega$		$T_A = 25^\circ\text{C}$	2	3		3	6	mV
				$T_A = \text{Full range}$		5			9	
$\alpha_{V_{IO}}$	Temperature coefficient of input offset voltage	$V_O = 0, R_S = 50\ \Omega,$ $T_A = \text{Full range}$			10			10		$\mu\text{V}/^\circ\text{C}$
$I_{IO}$	Input offset current	$V_O = 0$		$T_A = 25^\circ\text{C}$	5	100		5	100	pA
				$T_A = \text{Full range}$		3			10	nA
$I_{IB}$	Input bias current‡	$V_O = 0$		$T_A = 25^\circ\text{C}$	30	200		30	200	pA
				$T_A = \text{Full range}$		7			20	nA
$V_{ICR}$	Common-mode input voltage range	$T_A = 25^\circ\text{C}$			$\pm 11$	-12 to 15		$\pm 11$	-12 to 15	V
$V_{OM}$	Maximum peak output voltage swing	$R_L = 10\ \text{k}\Omega, T_A = 25^\circ\text{C}$			$\pm 10$	$\pm 13.5$		$\pm 10$	$\pm 13.5$	V
		$R_L \geq 10\ \text{k}\Omega, T_A = \text{Full range}$			$\pm 10$			$\pm 10$		
$A_{VD}$	Large-signal differential voltage amplification	$V_O = \pm 10\ \text{V},$ $R_L \geq 10\ \text{k}\Omega$		$T_A = 25^\circ\text{C}$	4	6		4	6	V/mV
				$T_A = \text{Full range}$	4			4		
$B_1$	Unity-gain bandwidth	$R_L = 10\ \text{k}\Omega, T_A = 25^\circ\text{C}$			1			1		MHz
$r_i$	Input resistance	$T_A = 25^\circ\text{C}$			1012			1012		$\Omega$
CMRR	Common-mode rejection ratio	$V_{IC} = V_{ICRmin}, V_O = 0,$ $R_S = 50\ \Omega, T_A = 25^\circ\text{C}$			80	86		80	86	dB
kSVR	Supply-voltage rejection ratio ( $\Delta V_{CC\pm}/\Delta V_{IO}$ )	$V_{CC} = \pm 9\ \text{V to } \pm 15\ \text{V},$ $V_O = 0, R_S = 50\ \Omega,$ $T_A = 25^\circ\text{C}$			80	95		80	95	dB
$P_D$	Total power dissipation (each amplifier)	$V_O = 0,$ No load		$T_A = 25^\circ\text{C},$	6	7.5		6	7.5	mW
$I_{CC}$	Supply current (each amplifier)	$V_O = 0,$ No load		$T_A = 25^\circ\text{C},$	200	250		200	250	$\mu\text{A}$
$V_{O1}/V_{O2}$	Crosstalk attenuation	$A_{VD} = 100, T_A = 25^\circ\text{C}$			120			120		dB

† All characteristics are measured under open-loop conditions with zero common-mode input voltage, unless otherwise specified. Full range for  $T_A$  is  $0^\circ\text{C}$  to  $70^\circ\text{C}$  for TL06\_C, TL06\_AC, and TL06\_BC and  $-40^\circ\text{C}$  to  $85^\circ\text{C}$  for TL06\_I.

‡ Input bias currents of an FET-input operational amplifier are normal junction reverse currents, which are temperature sensitive, as shown in Figure 15. Pulse techniques are used to maintain the junction temperature as close to the ambient temperature as possible.



**TL061, TL061A, TL061B, TL062, TL062A  
TL062B, TL064, TL064A, TL064B  
LOW-POWER JFET-INPUT OPERATIONAL AMPLIFIERS**

SLOS078G – NOVEMBER 1978 – REVISED MAY 2002

**electrical characteristics,  $V_{CC\pm} = \pm 15$  V (unless otherwise noted)**

PARAMETER	TEST CONDITIONS†	TL061M TL062M			TL064M			UNIT
		MIN	TYP	MAX	MIN	TYP	MAX	
$V_{IO}$ Input offset voltage	$V_O = 0$ , $R_S = 50 \Omega$	$T_A = 25^\circ\text{C}$		3	6	$T_A = 25^\circ\text{C}$		mV
		$T_A = -55^\circ\text{C to } 125^\circ\text{C}$		9		15		
$\alpha_{V_{IO}}$ Temperature coefficient of input offset voltage	$V_O = 0$ , $R_S = 50 \Omega$ , $T_A = -55^\circ\text{C to } 125^\circ\text{C}$	10			10			$\mu\text{V}/^\circ\text{C}$
$I_{IO}$ Input offset current	$V_O = 0$	$T_A = 25^\circ\text{C}$		5	100	$T_A = 25^\circ\text{C}$		pA
		$T_A = -55^\circ\text{C}$		20*		$T_A = -55^\circ\text{C}$		nA
		$T_A = 125^\circ\text{C}$		20		$T_A = 125^\circ\text{C}$		20
$I_{IB}$ Input bias current‡	$V_O = 0$	$T_A = 25^\circ\text{C}$		30	200	$T_A = 25^\circ\text{C}$		pA
		$T_A = -55^\circ\text{C}$		50*		$T_A = -55^\circ\text{C}$		nA
		$T_A = 125^\circ\text{C}$		50		$T_A = 125^\circ\text{C}$		50
$V_{ICR}$ Common-mode input voltage range	$T_A = 25^\circ\text{C}$	$\pm 11.5$	-12 to 15	$\pm 11.5$	-12 to 15			V
$V_{OM}$ Maximum peak output voltage swing	$R_L = 10 \text{ k}\Omega$ , $T_A = 25^\circ\text{C}$	$\pm 10$	$\pm 13.5$	$\pm 10$	$\pm 13.5$			V
	$R_L \geq 10 \text{ k}\Omega$ , $T_A = -55^\circ\text{C to } 125^\circ\text{C}$	$\pm 10$		$\pm 10$				
$A_{VD}$ Large-signal differential voltage amplification	$V_O = \pm 10 \text{ V}$ , $R_L \geq 10 \text{ k}\Omega$	$T_A = 25^\circ\text{C}$		4	6	$T_A = 25^\circ\text{C}$		V/mV
		$T_A = -55^\circ\text{C to } 125^\circ\text{C}$		4		$T_A = -55^\circ\text{C to } 125^\circ\text{C}$		
$B_1$ Unity-gain bandwidth	$R_L = 10 \text{ k}\Omega$ , $T_A = 25^\circ\text{C}$							MHz
$r_i$ Input resistance	$T_A = 25^\circ\text{C}$	$10^{12}$			$10^{12}$			$\Omega$
CMRR Common-mode rejection ratio	$V_{IC} = V_{ICRmin}$ , $V_O = 0$ , $R_S = 50 \Omega$ , $T_A = 25^\circ\text{C}$	80	86	80	86			dB
$k_{SVR}$ Supply-voltage rejection ratio ( $\Delta V_{CC\pm}/\Delta V_{IO}$ )	$V_{CC} = \pm 9 \text{ V to } \pm 15 \text{ V}$ , $V_O = 0$ , $R_S = 50 \Omega$ , $T_A = 25^\circ\text{C}$	80	95	80	95			dB
$P_D$ Total power dissipation (each amplifier)	$V_O = 0$ , No load	$T_A = 25^\circ\text{C}$		6	7.5	$T_A = 25^\circ\text{C}$		mW
$I_{CC}$ Supply current (each amplifier)	$V_O = 0$ , No load	$T_A = 25^\circ\text{C}$		200	250	$T_A = 25^\circ\text{C}$		$\mu\text{A}$
$V_{O1}/V_{O2}$ Crosstalk attenuation	$A_{VD} = 100$ , $T_A = 25^\circ\text{C}$	120			120			dB

\* This parameter is not production tested.

† All characteristics are measured under open-loop conditions with zero common-mode voltage, unless otherwise specified.

‡ Input bias currents of an FET-input operational amplifier are normal junction reverse currents, which are temperature sensitive, as shown in Figure 15. Pulse techniques are used to maintain the junction temperature as close to the ambient temperature as possible.

**operating characteristics,  $V_{CC\pm} = \pm 15$  V,  $T_A = 25^\circ\text{C}$**

PARAMETER	TEST CONDITIONS	MIN	TYP	MAX	UNIT
SR Slew rate at unity gain (see Note 5)	$V_I = 10 \text{ V}$ , $C_L = 100 \text{ pF}$ , $R_L = 10 \text{ k}\Omega$ , See Figure 1	C and I suffix	1.5	3.5	V/ $\mu\text{s}$
		M suffix	2	3.5	
$t_r$ Rise time	$V_I = 20 \text{ V}$ , $C_L = 100 \text{ pF}$ , See Figure 1	0.2			$\mu\text{s}$
Overshoot factor		10%			
$V_n$ Equivalent input noise voltage	$R_S = 20 \Omega$ , $f = 1 \text{ kHz}$	42			nV/ $\sqrt{\text{Hz}}$

NOTE 5: Slew rate at  $-55^\circ\text{C to } 125^\circ\text{C}$  is 0.7 V/ $\mu\text{s}$  min.



PARAMETER MEASUREMENT INFORMATION

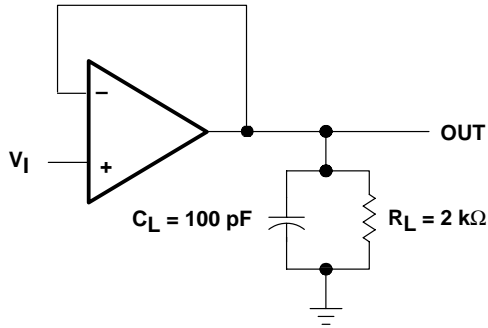


Figure 1. Unity-Gain Amplifier

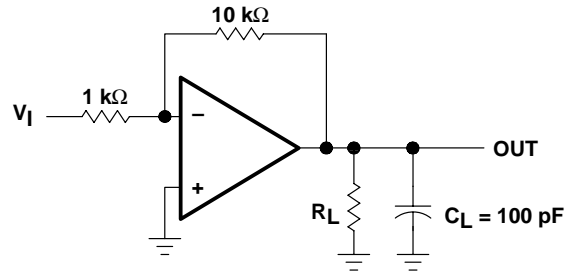


Figure 2. Gain-of-10 Inverting Amplifier

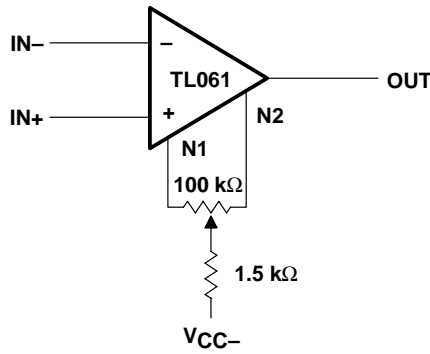


Figure 3. Input Offset-Voltage Null Circuit



## TYPICAL CHARACTERISTICS

**Table of Graphs**

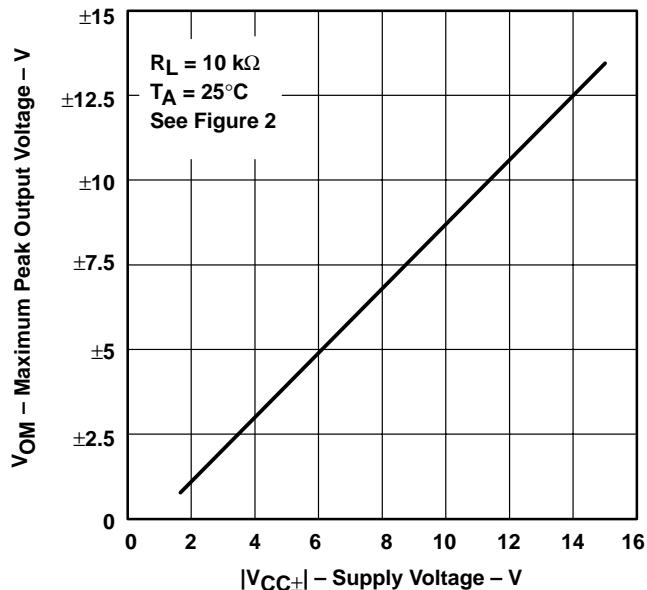
	FIGURE
Maximum peak output voltage vs Supply voltage	4
Maximum peak output voltage vs Free-air temperature	5
Maximum peak output voltage vs Load resistance	6
Maximum peak output voltage vs Frequency	7
Differential voltage amplification vs Free-air temperature	8
Large-signal differential voltage amplification vs Frequency	9
Phase shift vs Frequency	9
Supply current vs Supply voltage	10
Supply current vs Free-air temperature	11
Total power dissipation vs Free-air temperature	12
Common-mode rejection ratio vs Free-air temperature	13
Normalized unity-gain bandwidth vs Free-air temperature	14
Normalized slew rate vs Free-air temperature	14
Normalized phase shift vs Free-air temperature	14
Input bias current vs Free-air temperature	15
Voltage-follower large-signal pulse response vs Time	16
Output voltage vs Elapsed time	17
Equivalent input noise voltage vs Frequency	18

**TL061, TL061A, TL061B, TL062, TL062A  
 TL062B, TL064, TL064A, TL064B  
 LOW-POWER JFET-INPUT OPERATIONAL AMPLIFIERS**

SLOS078G – NOVEMBER 1978 – REVISED MAY 2002

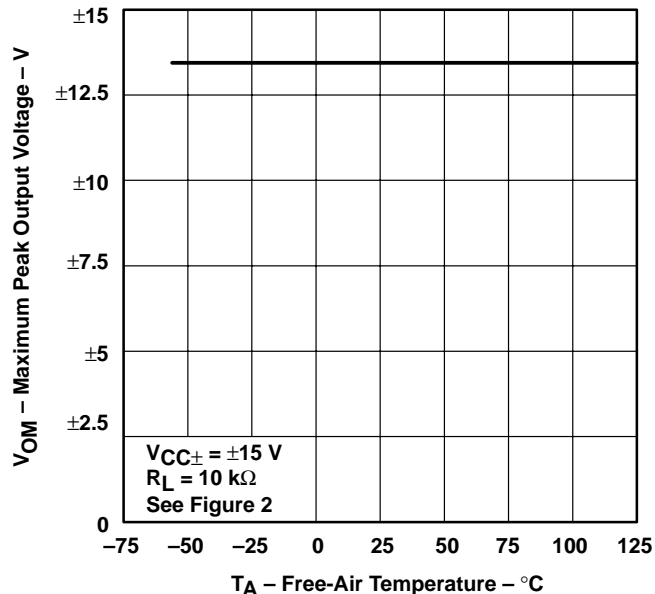
**TYPICAL CHARACTERISTICS†**

**MAXIMUM PEAK OUTPUT VOLTAGE  
 vs  
 SUPPLY VOLTAGE**



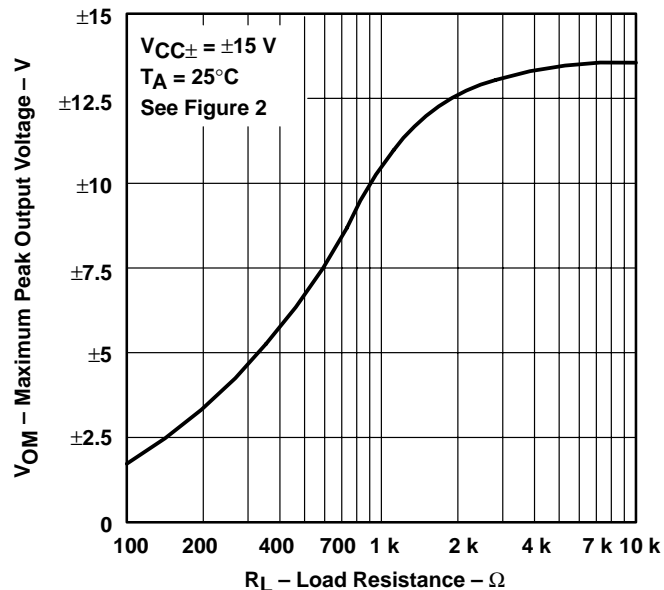
**Figure 4**

**MAXIMUM PEAK OUTPUT VOLTAGE  
 vs  
 FREE-AIR TEMPERATURE**



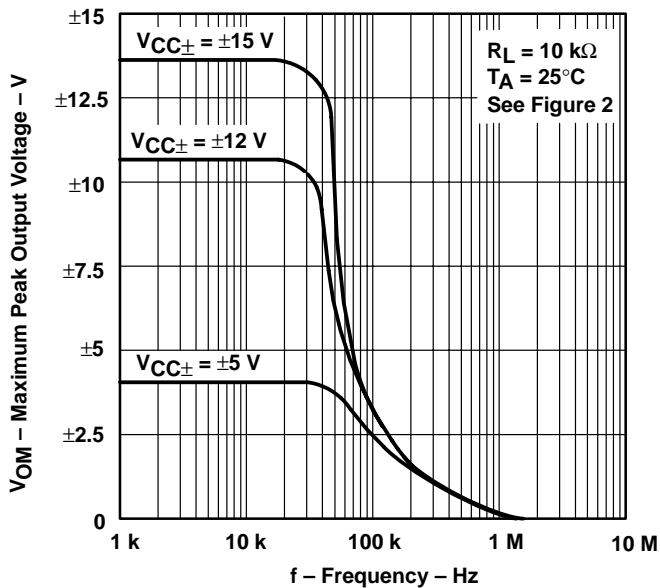
**Figure 5**

**MAXIMUM PEAK OUTPUT VOLTAGE  
 vs  
 LOAD RESISTANCE**



**Figure 6**

**MAXIMUM PEAK OUTPUT VOLTAGE  
 vs  
 FREQUENCY**



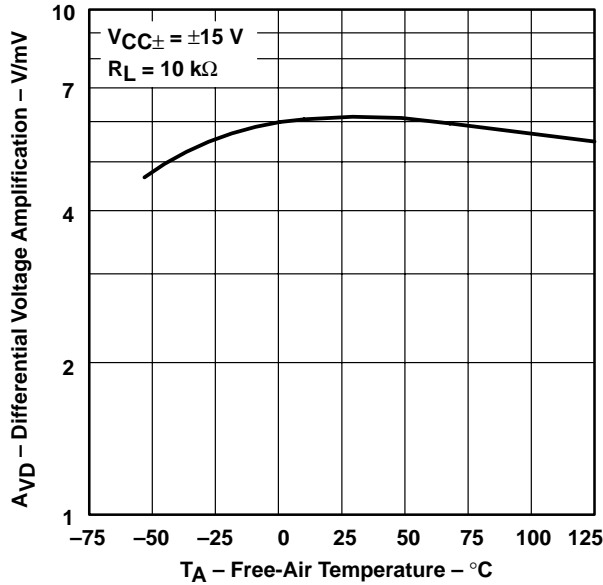
**Figure 7**

† Data at high and low temperatures are applicable only within the specified operating free-air temperature ranges of the various devices.



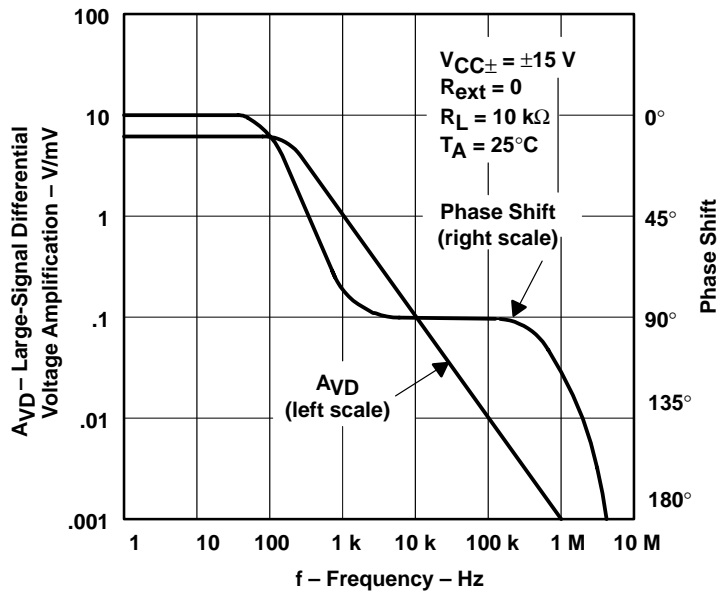
**TYPICAL CHARACTERISTICS†**

**DIFFERENTIAL VOLTAGE AMPLIFICATION  
 VS  
 FREE-AIR TEMPERATURE**



**Figure 8**

**LARGE-SIGNAL  
 DIFFERENTIAL VOLTAGE  
 AMPLIFICATION AND PHASE SHIFT  
 VS  
 FREQUENCY**



**Figure 9**

† Data at high and low temperatures are applicable only within the specified operating free-air temperature ranges of the various devices.

TYPICAL CHARACTERISTICS†

SUPPLY CURRENT  
 vs  
 SUPPLY VOLTAGE

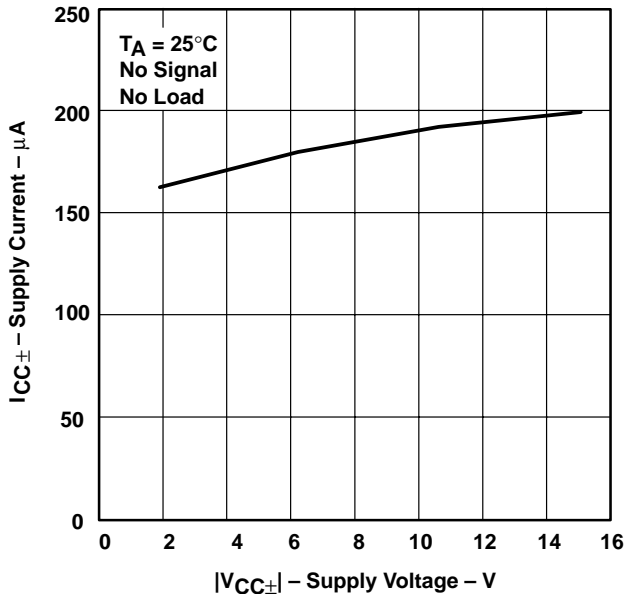


Figure 10

SUPPLY CURRENT  
 vs  
 FREE-AIR TEMPERATURE

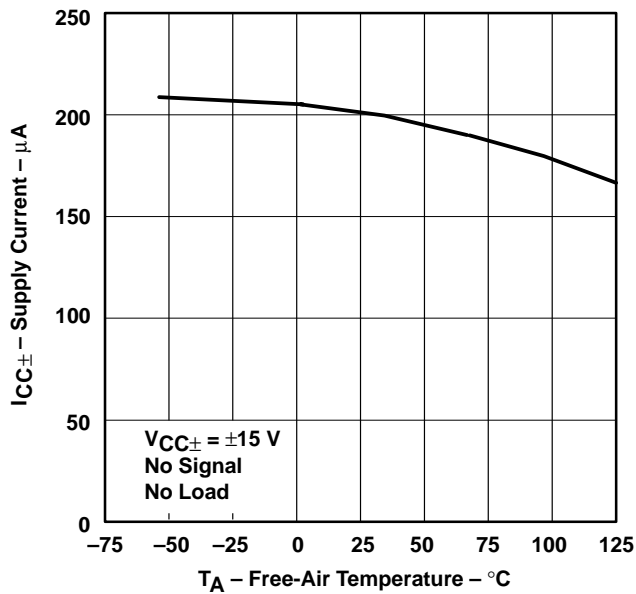


Figure 11

TOTAL POWER DISSIPATION  
 vs  
 FREE-AIR TEMPERATURE

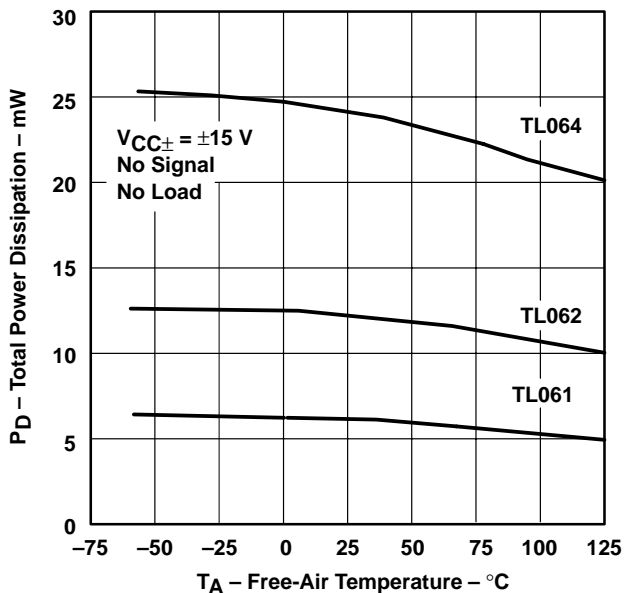


Figure 12

ALL EXCEPT TL06\_C  
 COMMON-MODE REJECTION RATIO  
 vs  
 FREE-AIR TEMPERATURE

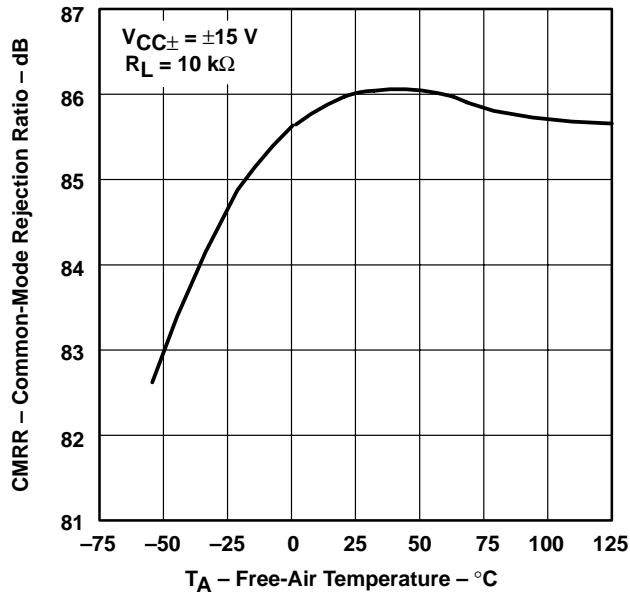


Figure 13

† Data at high and low temperatures are applicable only within the specified operating free-air temperature ranges of the various devices.

TYPICAL CHARACTERISTICS

NORMALIZED UNITY-GAIN BANDWIDTH,  
 SLEW RATE, AND PHASE SHIFT  
 vs  
 FREE-AIR TEMPERATURE

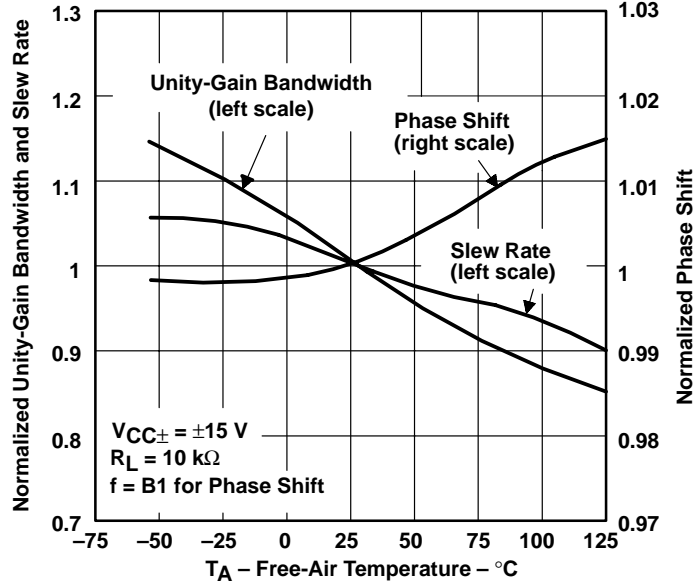


Figure 14

INPUT BIAS CURRENT  
 vs  
 FREE-AIR TEMPERATURE

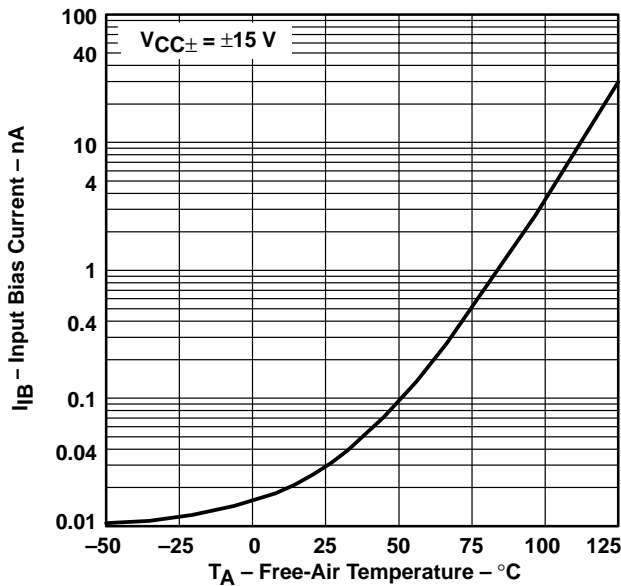


Figure 15

VOLTAGE-FOLLOWER  
 LARGE-SIGNAL PULSE RESPONSE  
 vs  
 TIME

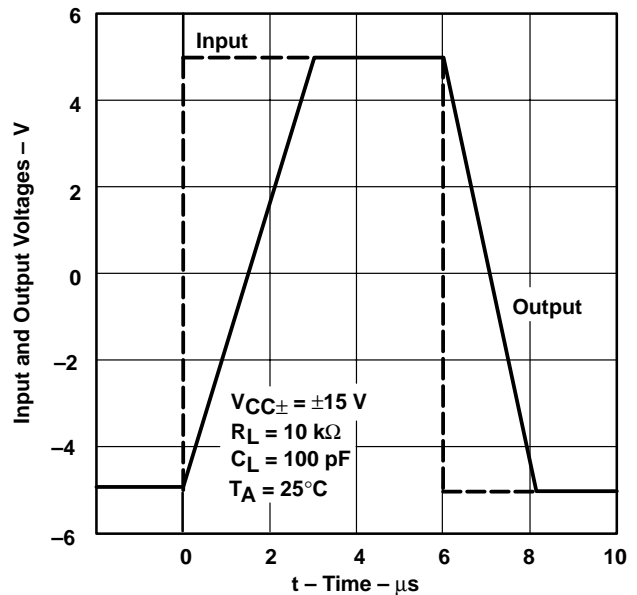


Figure 16

TYPICAL CHARACTERISTICS

OUTPUT VOLTAGE  
 VS  
 ELAPSED TIME

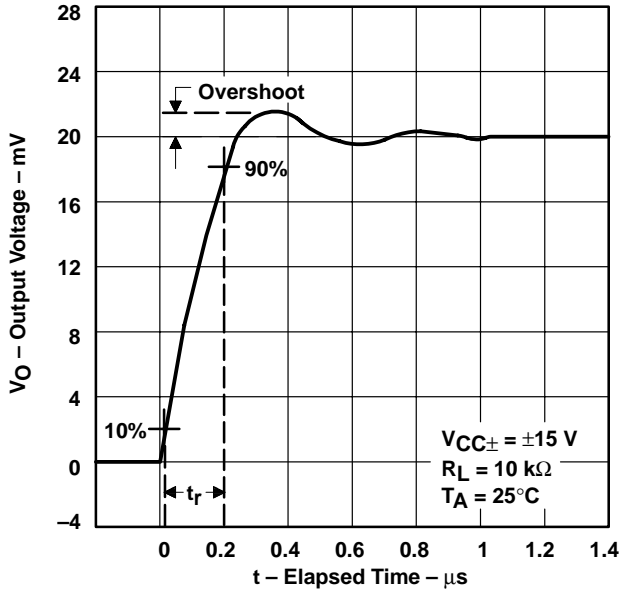


Figure 17

EQUIVALENT INPUT NOISE VOLTAGE  
 VS  
 FREQUENCY

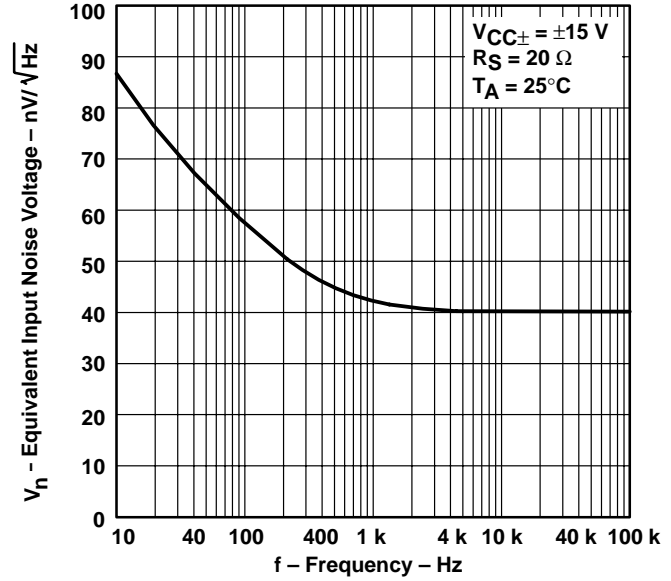
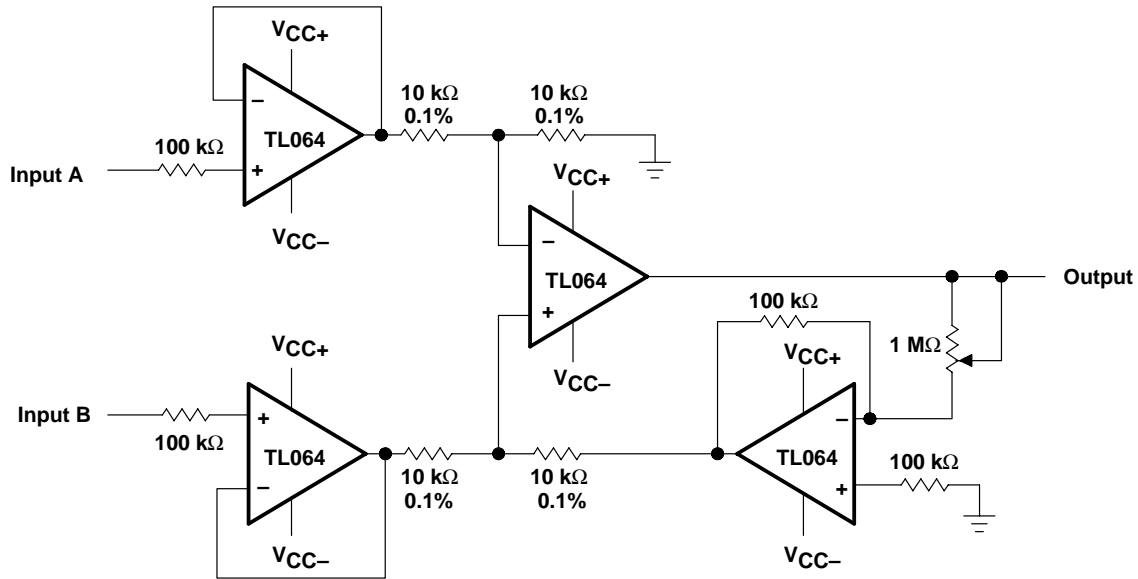


Figure 18

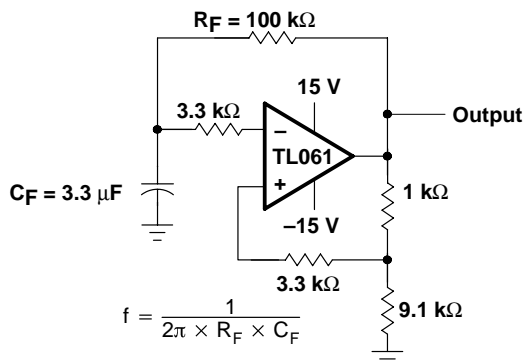
## APPLICATION INFORMATION

**Table of Application Diagrams**

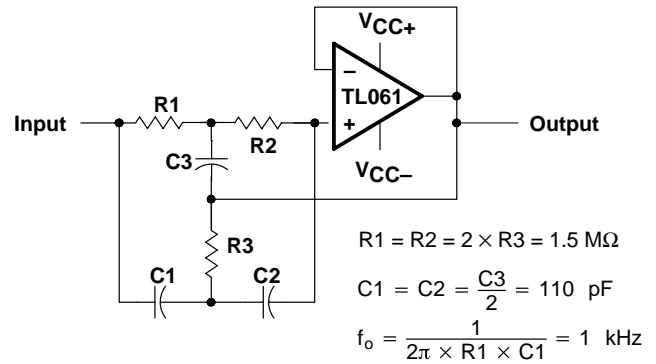
APPLICATION DIAGRAM	PART NUMBER	FIGURE
Instrumentation amplifier	TL064	19
0.5-Hz square-wave oscillator	TL061	20
High-Q notch filter	TL061	21
Audio-distribution amplifier	TL064	22
Low-level light detector preamplifier	TL061	23
AC amplifier	TL061	24
Microphone preamplifier with tone control	TL061	25
Instrumentation amplifier	TL062	26
IC preamplifier	TL062	27



**Figure 19. Instrumentation Amplifier**

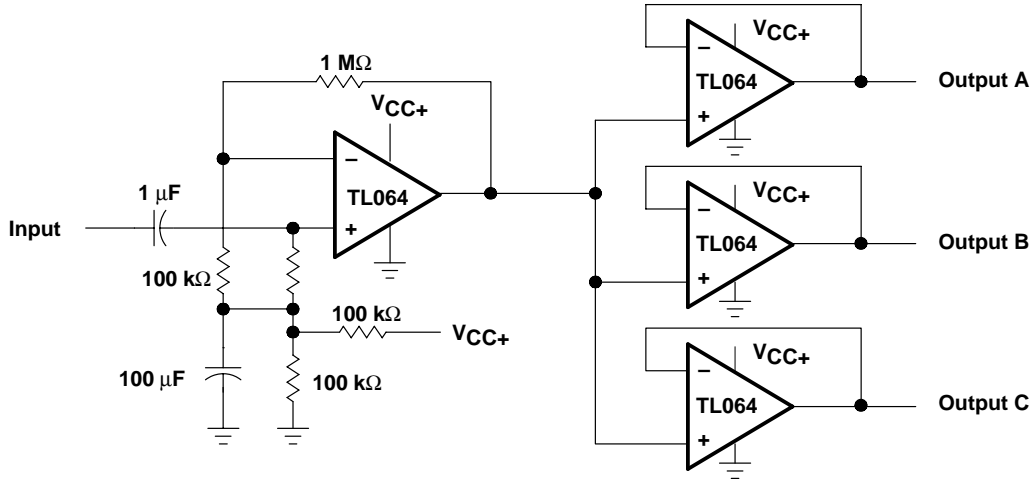


**Figure 20. 0.5-Hz Square-Wave Oscillator**

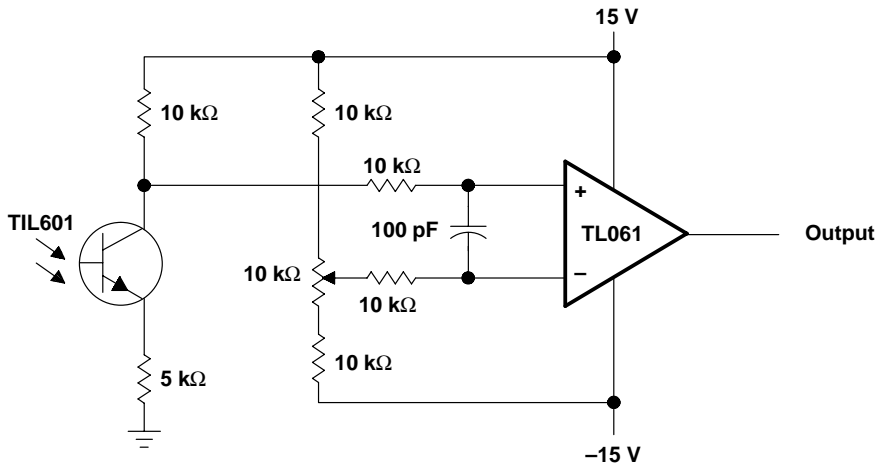


**Figure 21. High-Q Notch Filter**

**APPLICATION INFORMATION**



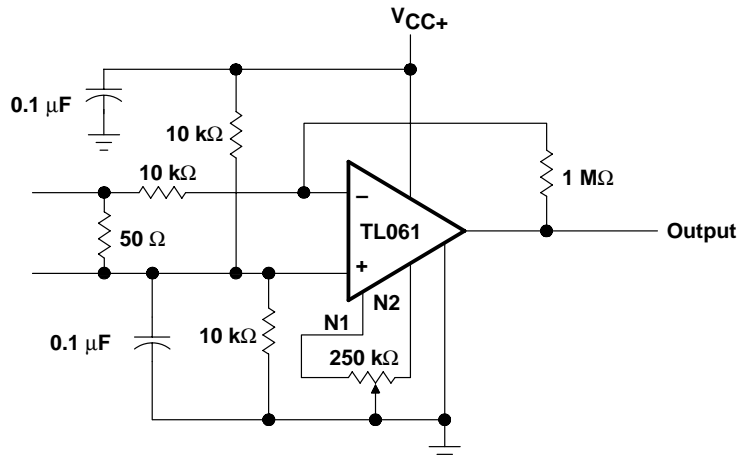
**Figure 22. Audio-Distribution Amplifier**



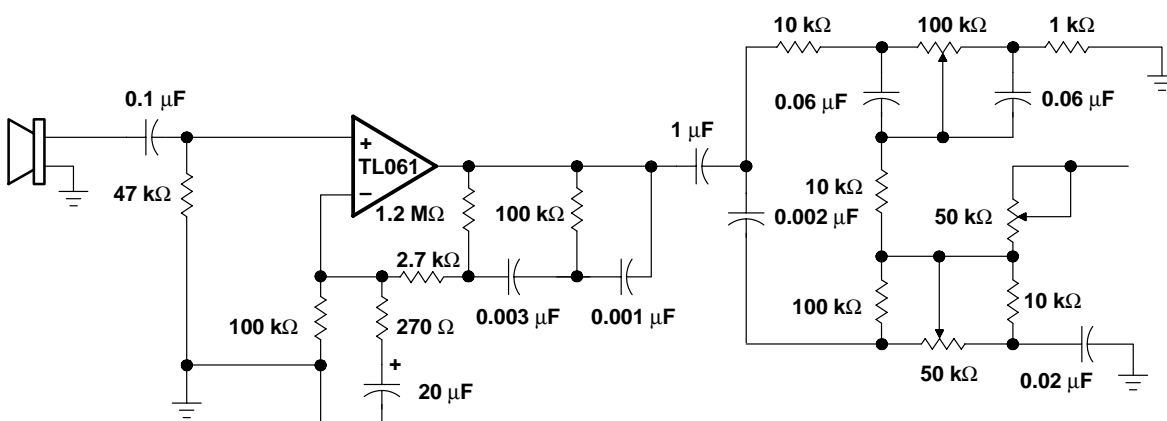
**Figure 23. Low-Level Light Detector Preamplifier**



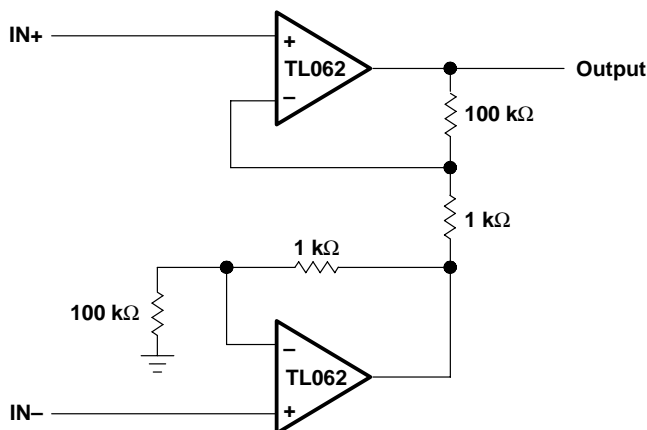
**APPLICATION INFORMATION**



**Figure 24. AC Amplifier**



**Figure 25. Microphone Preamp With Tone Control**



**Figure 26. Instrumentation Amplifier**

APPLICATION INFORMATION

IC PREAMPLIFIER RESPONSE CHARACTERISTICS

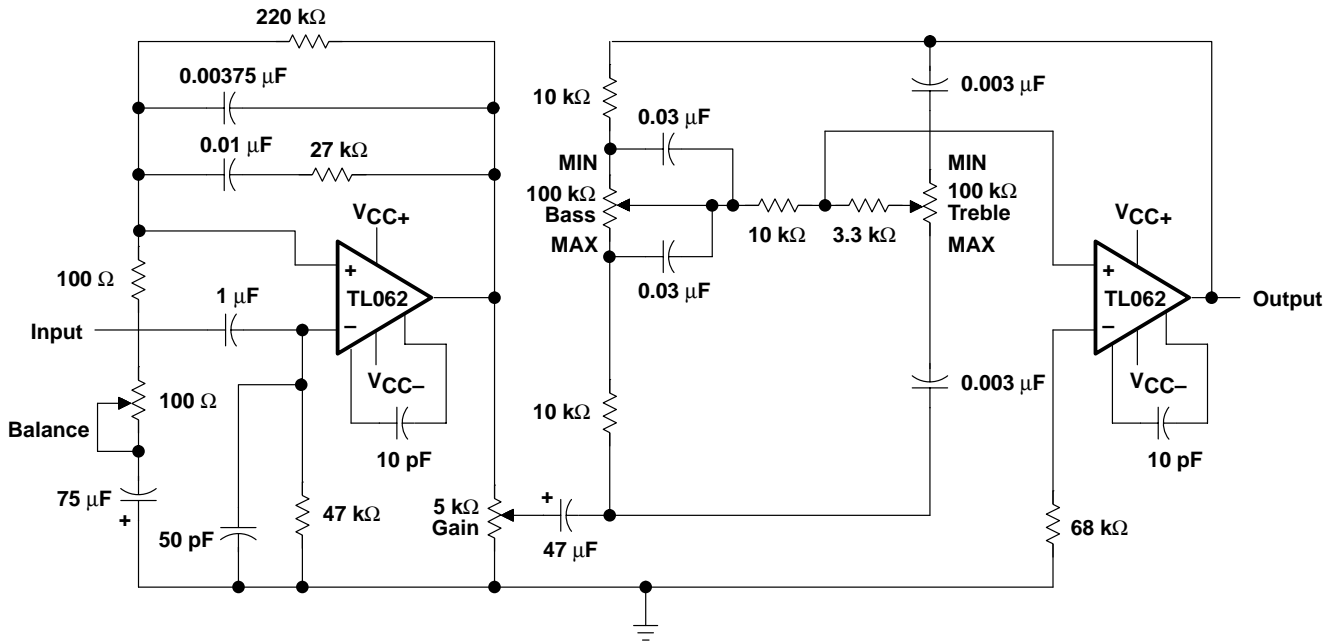
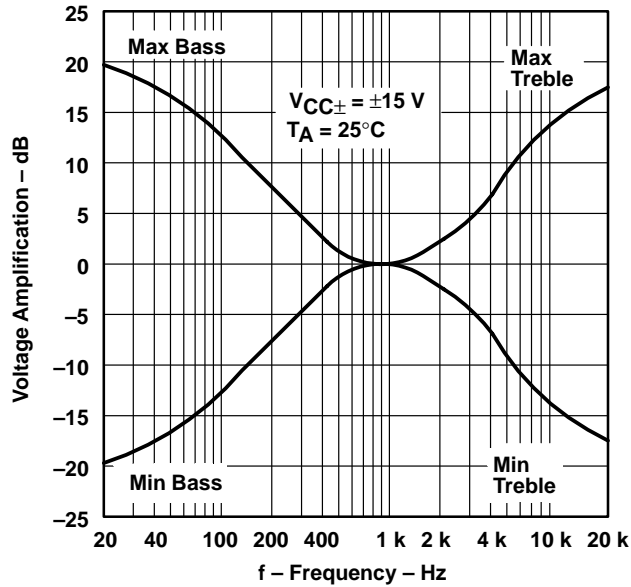


Figure 27. IC Preamplifier

## IMPORTANT NOTICE

Texas Instruments Incorporated and its subsidiaries (TI) reserve the right to make corrections, modifications, enhancements, improvements, and other changes to its products and services at any time and to discontinue any product or service without notice. Customers should obtain the latest relevant information before placing orders and should verify that such information is current and complete. All products are sold subject to TI's terms and conditions of sale supplied at the time of order acknowledgment.

TI warrants performance of its hardware products to the specifications applicable at the time of sale in accordance with TI's standard warranty. Testing and other quality control techniques are used to the extent TI deems necessary to support this warranty. Except where mandated by government requirements, testing of all parameters of each product is not necessarily performed.

TI assumes no liability for applications assistance or customer product design. Customers are responsible for their products and applications using TI components. To minimize the risks associated with customer products and applications, customers should provide adequate design and operating safeguards.

TI does not warrant or represent that any license, either express or implied, is granted under any TI patent right, copyright, mask work right, or other TI intellectual property right relating to any combination, machine, or process in which TI products or services are used. Information published by TI regarding third-party products or services does not constitute a license from TI to use such products or services or a warranty or endorsement thereof. Use of such information may require a license from a third party under the patents or other intellectual property of the third party, or a license from TI under the patents or other intellectual property of TI.

Reproduction of information in TI data books or data sheets is permissible only if reproduction is without alteration and is accompanied by all associated warranties, conditions, limitations, and notices. Reproduction of this information with alteration is an unfair and deceptive business practice. TI is not responsible or liable for such altered documentation.

Resale of TI products or services with statements different from or beyond the parameters stated by TI for that product or service voids all express and any implied warranties for the associated TI product or service and is an unfair and deceptive business practice. TI is not responsible or liable for any such statements.

### Mailing Address:

Texas Instruments  
Post Office Box 655303  
Dallas, Texas 75265