

# TLC27L1, TLC27L1A, TLC27L1B LinCMOS™ LOW-POWER OPERATIONAL AMPLIFIERS

SLOS154A – DECEMBER 1995 – REVISED MARCH 2001

- **Input Offset Voltage Drift . . . Typically 0.1  $\mu$ V/Month, Including the First 30 Days**
- **Wide Range of Supply Voltages Over Specified Temperature Range:**  
0°C to 70°C . . . 3 V to 16 V  
–40°C to 85°C . . . 4 V to 16 V  
–55°C to 125°C . . . 5 V to 16 V
- **Single-Supply Operation**
- **Common-Mode Input Voltage Range Extends Below the Negative Rail (C-Suffix and I-Suffix Types)**
- **Low Noise . . . 68 nV/ $\sqrt{\text{Hz}}$  Typically at  $f = 1$  kHz**
- **Output Voltage Range Includes Negative Rail**
- **High Input Impedance . . . 10<sup>12</sup>  $\Omega$  Typ**
- **ESD-Protection Circuitry**
- **Small-Outline Package Option Also Available in Tape and Reel**
- **Designed-In Latch-Up Immunity**

## description

The TLC27L1 operational amplifier combines a wide range of input offset-voltage grades with low offset-voltage drift and high input impedance. In addition, the TLC27L1 is a low-bias version of the TLC271 programmable amplifier. These devices use the Texas Instruments silicon-gate LinCMOS™ technology, which provides offset-voltage stability far exceeding the stability available with conventional metal-gate processes.

Three offset-voltage grades are available (C-suffix and I-suffix types), ranging from the low-cost TLC27L1 (10 mV) to the TLC27L1B (2 mV) low-offset version. The extremely high input impedance and low bias currents, in conjunction with good common-mode rejection and supply voltage rejection, make these devices a good choice for new state-of-the-art designs as well as for upgrading existing designs.

In general, many features associated with bipolar technology are available in LinCMOS™ operational amplifiers, without the power penalties of bipolar technology. General applications such as transducer interfacing, analog calculations, amplifier blocks, active filters, and signal buffering are all easily designed with the TLC27L1. The devices also exhibit low-voltage single-supply operation, making them ideally suited for remote and inaccessible battery-powered applications. The common-mode input-voltage range includes the negative rail.

The device inputs and output are designed to withstand –100-mA surge currents without sustaining latch-up.

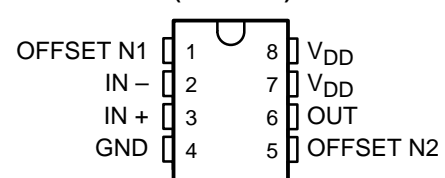
The TLC27L1 incorporates internal electrostatic-discharge (ESD) protection circuits that prevent functional failures at voltages up to 2000 V as tested under MIL-STD-883C, Method 3015.2; however, care should be exercised in handling these devices as exposure to ESD may result in the degradation of the device parametric performance.

### AVAILABLE OPTIONS

| T <sub>A</sub> | V <sub>IO</sub> max<br>AT 25°C | PACKAGE                 |                       |
|----------------|--------------------------------|-------------------------|-----------------------|
|                |                                | SMALL<br>OUTLINE<br>(D) | PLASTIC<br>DIP<br>(P) |
| 0°C to 70°C    | 2 mV                           | TLC27L1BCD              | TLC27L1BCP            |
|                | 5 mV                           | TLC27L1ACD              | TLC27L1ACP            |
|                | 10 mV                          | TLC27L1CD               | TLC27L1CP             |
| –40°C to 85°C  | 2 mV                           | TLC27L1BID              | TLC27L1BIP            |
|                | 5 mV                           | TLC27L1AID              | TLC27L1AIP            |
|                | 10 mV                          | TLC27L1ID               | TLC27L1IP             |
| –55°C to 125°C | 10 mV                          | TLC27L1MD               | TLC27L1MP             |

The D package is available taped and reeled. Add R suffix to the device type (e.g., TLC27L1BCDR).

### D OR P PACKAGE (TOP VIEW)



Please be aware that an important notice concerning availability, standard warranty, and use in critical applications of Texas Instruments semiconductor products and disclaimers thereto appears at the end of this data sheet.

LinCMOS is a trademark of Texas Instruments.

PRODUCTION DATA information is current as of publication date. Products conform to specifications per the terms of Texas Instruments standard warranty. Production processing does not necessarily include testing of all parameters.



POST OFFICE BOX 655303 • DALLAS, TEXAS 75265

Copyright © 2001, Texas Instruments Incorporated

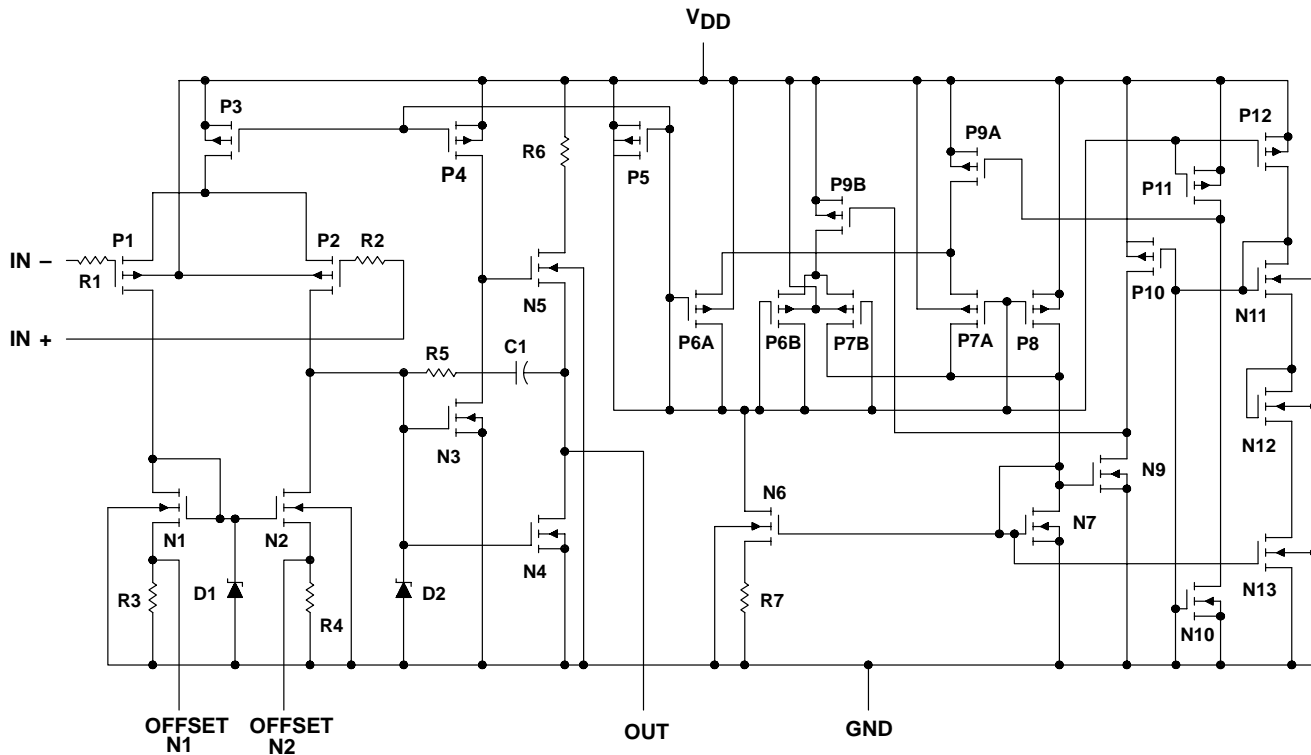
# TLC27L1, TLC27L1A, TLC27L1B LinCMOS™ LOW-POWER OPERATIONAL AMPLIFIERS

SLOS154A – DECEMBER 1995 – REVISED MARCH 2001

## description (continued)

The C-suffix devices are characterized for operation from 0°C to 70°C. The I-suffix devices are characterized for operation from -40°C to 85°C. The M-suffix devices are characterized for operation over the full military temperature range of -55°C to 125°C.

## equivalent schematic



# TLC27L1, TLC27L1A, TLC27L1B LinCMOS™ LOW-POWER OPERATIONAL AMPLIFIERS

SLOS154A – DECEMBER 1995 – REVISED MARCH 2001

## absolute maximum ratings over operating free-air temperature (unless otherwise noted)†

|  |                              |
|--|------------------------------|
| Supply voltage, $V_{DD}$ (see Note 1)  | 8 V                          |
| Differential input voltage, $V_{ID}$ (see Note 2)                            | $\pm V_{DD}$                 |
| Input voltage range, $V_I$ (any input)                                       | -0.3 V to $V_{DD}$           |
| Input current, $I_I$   | $\pm 5$ mA                   |
| Output current, $I_O$  | $\pm 30$ mA                  |
| Duration of short-circuit current at (or below) 25°C (see Note 3)            | Unlimited                    |
| Continuous total power dissipation   | See Dissipation Rating Table |
| Operating free-air temperature, $T_A$ : C suffix                             | 0°C to 70°C                  |
| I suffix   | -40°C to 85°C                |
| M suffix   | -55°C to 125°C               |
| Storage temperature range, $T_{stg}$   | -65°C to 150°C               |
| Case temperature for 60 seconds, $T_C$ : FK package                          | 260°C                        |
| Lead temperature 1,6 mm (1/16 inch) from case for 10 seconds: D or P package | 260°C                        |

† Stresses beyond those listed under “absolute maximum ratings” may cause permanent damage to the device. These are stress ratings only, and functional operation of the device at these or any other conditions beyond those indicated under “recommended operating conditions” is not implied. Exposure to absolute-maximum-rated conditions for extended periods may affect device reliability.

- NOTES:
1. All voltage values, except differential voltages, are with respect to network ground.
  2. Differential voltages are at IN+ with respect to IN-.
  3. The output may be shorted to either supply. Temperature and/or supply voltages must be limited to ensure that the maximum dissipation rating is not exceeded (see application section).

DISSIPATION RATING TABLE

| PACKAGE | $T_A \leq 25^\circ\text{C}$<br>POWER RATING | DERATING FACTOR<br>ABOVE $T_A = 25^\circ\text{C}$ | $T_A = 70^\circ\text{C}$<br>POWER RATING | $T_A = 85^\circ\text{C}$<br>POWER RATING | $T_A = 125^\circ\text{C}$<br>POWER RATING |
|---------|---|---|--|--|---|
| D       | 725 mW                                      | 5.8 mW/°C   | 464 mW                                   | 377 mW                                   | 145 mW                                    |
| P       | 1000 mW                                     | 8.0 mW/°C   | 640 mW                                   | 520 mW                                   | 200 mW                                    |

## recommended operating conditions

|                                       |                 | C SUFFIX |     | I SUFFIX |     | M SUFFIX |     | UNIT |
|---------------------------------------|-----------------|----------|-----|----------|-----|----------|-----|------|
|                                       |                 | MIN      | MAX | MIN      | MAX | MIN      | MAX |      |
| Supply voltage, $V_{DD}$              |                 | 3        | 16  | 4        | 16  | 5        | 16  | V    |
| Common-mode input voltage, $V_{IC}$   | $V_{DD} = 5$ V  | -0.2     | 3.5 | -0.2     | 3.5 | 0        | 3.5 | V    |
|                                       | $V_{DD} = 10$ V | -0.2     | 8.5 | -0.2     | 8.5 | 0        | 8.5 |      |
| Operating free-air temperature, $T_A$ |                 | 0        | 70  | -40      | 85  | -55      | 125 | °C   |

# TLC27L1, TLC27L1A, TLC27L1B

## LinCMOS™ LOW-POWER OPERATIONAL AMPLIFIERS

SLOS154A – DECEMBER 1995 – REVISED MARCH 2001

### electrical characteristics at specified free-air temperature (unless otherwise noted)

| PARAMETER           |  | TEST CONDITIONS  | T <sub>A</sub> †   | TLC27L1C, TLC27L1AC, TLC27L1BC |             |     |                        |             |       | UNIT |
|---------------------|--|--|--|--------------------------------|-------------|-----|------------------------|-------------|-------|------|
|                     |  |  |  | V <sub>DD</sub> = 5 V          |             |     | V <sub>DD</sub> = 10 V |             |       |      |
|                     |  |  |  | MIN                            | TYP         | MAX | MIN                    | TYP         | MAX   |      |
| V <sub>IO</sub>     | Input offset voltage   | TLC27L1C<br>TLC27L1AC<br>TLC27L1BC   | V <sub>O</sub> = 1.4 V,<br>V <sub>IC</sub> = 0 V,<br>R <sub>S</sub> = 50 Ω,<br>R <sub>I</sub> = 1 MΩ | 25°C                           | 1.1         | 10  |                        | 1.1         | 10    | mV   |
|                     |  |  |  | Full range                     |             |     | 12                     |             | 12    |      |
|                     |  |  |  | 25°C                           | 0.9         | 5   |                        | 0.9         | 5     |      |
|                     |  |  |  | Full range                     |             |     | 6.5                    |             | 6.5   |      |
|                     |  |  |  | 25°C                           | 0.24        | 2   |                        | 0.26        | 2     |      |
|                     |  |  |  | Full range                     |             |     | 3                      |             | 3     |      |
| α <sub>VIO</sub>    | Average temperature coefficient of input offset voltage              |  | 25°C to 70°C   | 1.1                            |             |     | 1                      |             | μV/°C |      |
| I <sub>IO</sub>     | Input offset current (see Note 4)                                    | V <sub>O</sub> = V <sub>DD</sub> /2,<br>V <sub>IC</sub> = V <sub>DD</sub> /2             | 25°C   | 0.1                            | 60          |     | 0.1                    | 60          | pA    |      |
|                     |  |  | 70°C   | 7                              | 300         |     | 8                      | 300         |       |      |
| I <sub>IB</sub>     | Input bias current (see Note 4)                                      | V <sub>O</sub> = V <sub>DD</sub> /2,<br>V <sub>IC</sub> = V <sub>DD</sub> /2             | 25°C   | 0.6                            | 60          |     | 0.7                    | 60          | pA    |      |
|                     |  |  | 70°C   | 40                             | 600         |     | 50                     | 600         |       |      |
| V <sub>ICR</sub>    | Common-mode input voltage range (see Note 5)                         |  | 25°C   | -0.2 to 4                      | -0.3 to 4.2 |     | -0.2 to 9              | -0.3 to 9.2 | V     |      |
|                     |  |  | Full range   | -0.2 to 3.5                    |             |     | -0.2 to 8.5            |             | V     |      |
| V <sub>OH</sub>     | High-level output voltage  | V <sub>ID</sub> = 100 mV,<br>R <sub>L</sub> = 1 MΩ                                       | 25°C   | 3.2                            | 4.1         |     | 8                      | 8.9         | V     |      |
|                     |  |  | 0°C  | 3                              | 4.1         |     | 7.8                    | 8.9         |       |      |
|                     |  |  | 70°C   | 3                              | 4.2         |     | 7.8                    | 8.9         |       |      |
| V <sub>OL</sub>     | Low-level output voltage   | V <sub>ID</sub> = -100 mV,<br>I <sub>OL</sub> = 0  | 25°C   | 0                              | 50          |     | 0                      | 50          | mV    |      |
|                     |  |  | 0°C  | 0                              | 50          |     | 0                      | 50          |       |      |
|                     |  |  | 70°C   | 0                              | 50          |     | 0                      | 50          |       |      |
| A <sub>VD</sub>     | Large-signal differential voltage amplification                      | R <sub>L</sub> = 1 MΩ,<br>See Note 6   | 25°C   | 50                             | 520         |     | 50                     | 870         | V/mV  |      |
|                     |  |  | 0°C  | 50                             | 700         |     | 50                     | 1030        |       |      |
|                     |  |  | 70°C   | 50                             | 380         |     | 50                     | 660         |       |      |
| CMRR                | Common-mode rejection ratio  | V <sub>IC</sub> = V <sub>ICRmin</sub>  | 25°C   | 65                             | 94          |     | 65                     | 97          | dB    |      |
|                     |  |  | 0°C  | 60                             | 95          |     | 60                     | 97          |       |      |
|                     |  |  | 70°C   | 60                             | 95          |     | 60                     | 97          |       |      |
| k <sub>SVR</sub>    | Supply-voltage rejection ratio (ΔV <sub>DD</sub> /ΔV <sub>IO</sub> ) | V <sub>DD</sub> = 5 V to 10 V,<br>V <sub>O</sub> = 1.4 V                                 | 25°C   | 70                             | 97          |     | 70                     | 97          | dB    |      |
|                     |  |  | 0°C  | 60                             | 97          |     | 60                     | 97          |       |      |
|                     |  |  | 70°C   | 60                             | 98          |     | 60                     | 98          |       |      |
| I <sub>I(SEL)</sub> | Input current (BIAS SELECT)  | V <sub>I(SEL)</sub> = V <sub>DD</sub>  | 25°C   | 65                             |             | 95  |                        | nA          |       |      |
| I <sub>DD</sub>     | Supply current   | V <sub>O</sub> = V <sub>DD</sub> /2,<br>V <sub>IC</sub> = V <sub>DD</sub> /2,<br>No load | 25°C   | 10                             | 17          |     | 14                     | 23          | μA    |      |
|                     |  |  | 0°C  | 12                             | 21          |     | 18                     | 33          |       |      |
|                     |  |  | 70°C   | 8                              | 14          |     | 11                     | 20          |       |      |

† Full range is 0°C to 70°C.

- NOTES: 4. The typical values of input bias current and input offset current below 5 pA were determined mathematically.  
 5. This range also applies to each input individually.  
 6. At V<sub>DD</sub> = 5 V, V<sub>O</sub> = 0.25 V to 2 V; at V<sub>DD</sub> = 10 V, V<sub>O</sub> = 1 V to 6 V.



# TLC27L1, TLC27L1A, TLC27L1B LinCMOS™ LOW-POWER OPERATIONAL AMPLIFIERS

SLOS154A – DECEMBER 1995 – REVISED MARCH 2001

## electrical characteristics at specified free-air temperature (unless otherwise noted)

| PARAMETER           |  | TEST CONDITIONS  | T <sub>A</sub> † | TLC27L1I, TLC27L1AI, TLC27L1BI |             |     |                        |             |      | UNIT |
|---------------------|--|--|------------------|--------------------------------|-------------|-----|------------------------|-------------|------|------|
|                     |  |  |                  | V <sub>DD</sub> = 5 V          |             |     | V <sub>DD</sub> = 10 V |             |      |      |
|                     |  |  |                  | MIN                            | TYP         | MAX | MIN                    | TYP         | MAX  |      |
| V <sub>IO</sub>     | Input offset voltage   | V <sub>O</sub> = 1.4 V,<br>V <sub>IC</sub> = 0 V,<br>R <sub>S</sub> = 50 Ω,<br>R <sub>L</sub> = 1 MΩ | 25°C             | 1.1                            | 10          |     | 1.1                    | 10          | mV   |      |
|                     |  |  | Full range       |                                |             | 13  |                        | 13          |      |      |
|                     |  |  | 25°C             | 0.9                            | 5           |     | 0.9                    | 5           |      |      |
|                     |  |  | Full range       |                                |             | 7   |                        | 7           |      |      |
|                     |  |  | 25°C             | 0.24                           | 2           |     | 0.26                   | 2           |      |      |
|                     |  |  | Full range       |                                |             | 3.5 |                        | 3.5         |      |      |
| α <sub>VIO</sub>    | Average temperature coefficient of input offset voltage              |  | 25°C to 85°C     | 1.1                            |             |     | 1                      | μV/°C       |      |      |
| I <sub>IO</sub>     | Input offset current (see Note 4)                                    | V <sub>O</sub> = V <sub>DD</sub> /2,<br>V <sub>IC</sub> = V <sub>DD</sub> /2                         | 25°C             | 0.1                            | 60          |     | 0.1                    | 60          | pA   |      |
|                     |  |  | 85°C             | 24                             | 1000        |     | 26                     | 1000        |      |      |
| I <sub>IB</sub>     | Input bias current (see Note 4)                                      | V <sub>O</sub> = V <sub>DD</sub> /2,<br>V <sub>IC</sub> = V <sub>DD</sub> /2                         | 25°C             | 0.6                            | 60          |     | 0.7                    | 60          | pA   |      |
|                     |  |  | 85°C             | 200                            | 2000        |     | 220                    | 2000        |      |      |
| V <sub>ICR</sub>    | Common-mode input voltage range (see Note 5)                         |  | 25°C             | -0.2 to 4                      | -0.3 to 4.2 |     | -0.2 to 9              | -0.3 to 9.2 | V    |      |
|                     |  |  | Full range       | -0.2 to 3.5                    |             |     | -0.2 to 8.5            |             | V    |      |
| V <sub>OH</sub>     | High-level output voltage  | V <sub>ID</sub> = 100 mV,<br>R <sub>L</sub> = 1 MΩ   | 25°C             | 3                              | 4.1         |     | 8                      | 8.9         | V    |      |
|                     |  |  | -40°C            | 3                              | 4.1         |     | 7.8                    | 8.9         |      |      |
|                     |  |  | 85°C             | 3                              | 4.2         |     | 7.8                    | 8.9         |      |      |
| V <sub>OL</sub>     | Low-level output voltage   | V <sub>ID</sub> = -100 mV,<br>I <sub>OL</sub> = 0  | 25°C             |                                | 0           | 50  |                        | 0           | 50   | mV   |
|                     |  |  | -40°C            |                                | 0           | 50  |                        | 0           | 50   |      |
|                     |  |  | 85°C             |                                | 0           | 50  |                        | 0           | 50   |      |
| A <sub>VD</sub>     | Large-signal differential voltage amplification                      | R <sub>L</sub> = 1 MΩ<br>See Note 6  | 25°C             | 50                             | 520         |     | 50                     | 870         | V/mV |      |
|                     |  |  | -40°C            | 50                             | 900         |     | 50                     | 1550        |      |      |
|                     |  |  | 85°C             | 50                             | 330         |     | 50                     | 585         |      |      |
| CMRR                | Common-mode rejection ratio  | V <sub>IC</sub> = V <sub>ICRmin</sub>  | 25°C             | 65                             | 94          |     | 65                     | 97          | dB   |      |
|                     |  |  | -40°C            | 60                             | 95          |     | 60                     | 97          |      |      |
|                     |  |  | 85°C             | 60                             | 95          |     | 60                     | 98          |      |      |
| k <sub>SVR</sub>    | Supply-voltage rejection ratio (ΔV <sub>DD</sub> /ΔV <sub>IO</sub> ) | V <sub>DD</sub> = 5 V to 10 V,<br>V <sub>O</sub> = 1.4 V   | 25°C             | 70                             | 97          |     | 70                     | 97          | dB   |      |
|                     |  |  | -40°C            | 60                             | 97          |     | 60                     | 97          |      |      |
|                     |  |  | 85°C             | 60                             | 98          |     | 60                     | 98          |      |      |
| I <sub>I(SEL)</sub> | Input current (BIAS SELECT)  | V <sub>I(SEL)</sub> = V <sub>DD</sub>  | 25°C             | 65                             |             |     | 95                     | nA          |      |      |
| I <sub>DD</sub>     | Supply current   | V <sub>O</sub> = V <sub>DD</sub> /2,<br>V <sub>IC</sub> = V <sub>DD</sub> /2,<br>No load             | 25°C             | 10                             | 17          |     | 14                     | 23          | μA   |      |
|                     |  |  | -40°C            | 16                             | 27          |     | 25                     | 43          |      |      |
|                     |  |  | 85°C             | 17                             | 13          |     | 10                     | 18          |      |      |

† Full range is -40 to 85°C.

- NOTES: 4. The typical values of input bias current and input offset current below 5 pA were determined mathematically.  
5. This range also applies to each input individually.  
6. At V<sub>DD</sub> = 5 V, V<sub>O</sub> = 0.25 V to 2 V; at V<sub>DD</sub> = 10 V, V<sub>O</sub> = 1 V to 6 V.



**TLC27L1, TLC27L1A, TLC27L1B**  
**LinCMOS™ LOW-POWER**  
**OPERATIONAL AMPLIFIERS**

SLOS154A – DECEMBER 1995 – REVISED MARCH 2001

**electrical characteristics at specified free-air temperature (unless otherwise noted)**

| PARAMETER   | TEST CONDITIONS  | T <sub>A</sub> † | TLC27L1M              |             |      |                        |             |      | UNIT  |
|---|--|------------------|-----------------------|-------------|------|------------------------|-------------|------|-------|
|   |  |                  | V <sub>DD</sub> = 5 V |             |      | V <sub>DD</sub> = 10 V |             |      |       |
|   |  |                  | MIN                   | TYP         | MAX  | MIN                    | TYP         | MAX  |       |
| V <sub>IO</sub> Input offset voltage  | V <sub>O</sub> = 1.4 V,<br>V <sub>IC</sub> = 0 V,<br>R <sub>S</sub> = 50 Ω,<br>R <sub>L</sub> = 1 MΩ | 25°C             | 1.1                   |             | 10   | 1.1                    |             | 10   | mV    |
|   |  | Full range       |                       |             | 12   |                        |             | 12   |       |
| α <sub>VIO</sub> Average temperature coefficient of input offset voltage              |  | 25°C to 125°C    | 1.4                   |             |      | 1.4                    |             |      | μV/°C |
| I <sub>IO</sub> Input offset current (see Note 4)                                     | V <sub>O</sub> = V <sub>DD</sub> /2,<br>V <sub>IC</sub> = V <sub>DD</sub> /2                         | 25°C             | 0.1                   |             | 60   | 0.1                    |             | 60   | pA    |
|   |  | 125°C            | 1.4                   |             | 15   | 1.8                    |             | 15   | nA    |
| I <sub>IB</sub> Input bias current (see Note 4)                                       | V <sub>O</sub> = V <sub>DD</sub> /2,<br>V <sub>IC</sub> = V <sub>DD</sub> /2                         | 25°C             | 0.6                   |             | 60   | 0.7                    |             | 60   | pA    |
|   |  | 125°C            | 9                     |             | 35   | 10                     |             | 35   | nA    |
| V <sub>ICR</sub> Common-mode input voltage range (see Note 5)                         |  | 25°C             | 0 to 4                | -0.3 to 4.2 |      | 0 to 9                 | -0.3 to 9.2 |      | V     |
|   |  | Full range       | 0 to 3.5              |             |      | 0 to 8.5               |             |      | V     |
| V <sub>OH</sub> High-level output voltage   | V <sub>ID</sub> = 100 mV,<br>R <sub>L</sub> = 1 MΩ   | 25°C             | 3.2                   |             | 4.1  | 8                      |             | 8.9  | V     |
|   |  | -55°C            | 3                     |             | 4.1  | 7.8                    |             | 8.8  |       |
|   |  | 125°C            | 3                     |             | 4.2  | 7.8                    |             | 9    |       |
| V <sub>OL</sub> Low-level output voltage  | V <sub>ID</sub> = -100 mV,<br>I <sub>OL</sub> = 0  | 25°C             |                       |             | 0    | 0                      |             | 50   | mV    |
|   |  | -55°C            |                       |             | 0    | 0                      |             | 50   |       |
|   |  | 125°C            |                       |             | 0    | 0                      |             | 50   |       |
| A <sub>VD</sub> Large-signal differential voltage amplification                       | R <sub>L</sub> = 1 MΩ,<br>See Note 6   | 25°C             | 50                    |             | 520  | 50                     |             | 870  | V/mV  |
|   |  | -55°C            | 25                    |             | 1000 | 25                     |             | 1775 |       |
|   |  | 125°C            | 25                    |             | 200  | 25                     |             | 380  |       |
| CMRR Common-mode rejection ratio  | V <sub>IC</sub> = V <sub>ICRmin</sub>  | 25°C             | 65                    |             | 94   | 65                     |             | 97   | dB    |
|   |  | -55°C            | 60                    |             | 95   | 60                     |             | 97   |       |
|   |  | 125°C            | 60                    |             | 85   | 60                     |             | 91   |       |
| k <sub>SVR</sub> Supply-voltage rejection ratio (ΔV <sub>DD</sub> /ΔV <sub>IO</sub> ) | V <sub>DD</sub> = 5 V to 10 V,<br>V <sub>O</sub> = 1.4 V   | 25°C             | 70                    |             | 97   | 70                     |             | 97   | dB    |
|   |  | -55°C            | 60                    |             | 97   | 60                     |             | 97   |       |
|   |  | 125°C            | 60                    |             | 98   | 60                     |             | 98   |       |
| I <sub>I(SEL)</sub> Input current (BIAS SELECT)                                       | V <sub>I(SEL)</sub> = V <sub>DD</sub>  | 25°C             |                       |             | 65   |                        |             | 95   | nA    |
| I <sub>DD</sub> Supply current  | V <sub>O</sub> = V <sub>DD</sub> /2,<br>V <sub>IC</sub> = V <sub>DD</sub> /2,<br>No load             | 25°C             | 10                    |             | 17   | 14                     |             | 23   | μA    |
|   |  | -55°C            | 17                    |             | 30   | 28                     |             | 48   |       |
|   |  | 125°C            | 7                     |             | 12   | 9                      |             | 15   |       |

† Full range is -55°C to 125°C.

- NOTES: 4. The typical values of input bias current and input offset current below 5 pA were determined mathematically.  
5. This range also applies to each input individually.  
6. At V<sub>DD</sub> = 5 V, V<sub>O</sub> = 0.25 V to 2 V; at V<sub>DD</sub> = 10 V, V<sub>O</sub> = 1 V to 6 V.



TLC27L1, TLC27L1A, TLC27L1B  
**LinCMOS™ LOW-POWER  
 OPERATIONAL AMPLIFIERS**

SLOS154A – DECEMBER 1995 – REVISED MARCH 2001

**operating characteristics at specified free-air temperature,  $V_{DD} = 5\text{ V}$**

| PARAMETER                               | TEST CONDITIONS   | $T_A$                                   | TLC27L1C,<br>TLC27L1AC,<br>TLC27L1BC |      |     | UNIT                   |
|---|---|---|--------------------------------------|------|-----|------------------------|
|   |   |   | MIN                                  | TYP  | MAX |                        |
| SR Slew rate at unity gain              | $R_L = 1\text{ M}\Omega$ ,<br>$C_L = 20\text{ pF}$ ,<br>See Figure 33 | $V_{I(PP)} = 1\text{ V}$                | 25°C                                 | 0.03 |     | V/ $\mu$ s             |
|   |   |   | 0°C                                  | 0.04 |     |                        |
|   |   |   | 70°C                                 | 0.03 |     |                        |
|   |   | $V_{I(PP)} = 2.5\text{ V}$              | 25°C                                 | 0.03 |     |                        |
|   |   |   | 0°C                                  | 0.03 |     |                        |
|   |   |   | 70°C                                 | 0.02 |     |                        |
| $V_n$ Equivalent input noise voltage    | $f = 1\text{ kHz}$ ,<br>See Figure 34                                 | $R_S = 20\ \Omega$ ,                    | 25°C                                 | 68   |     | nV/ $\sqrt{\text{Hz}}$ |
| $B_{OM}$ Maximum output-swing bandwidth | $V_O = V_{OH}$ ,<br>$R_L = 1\text{ M}\Omega$ ,                        | $C_L = 20\text{ pF}$ ,<br>See Figure 33 | 25°C                                 | 5    |     | kHz                    |
|   |   |   | 0°C                                  | 6    |     |                        |
|   |   |   | 70°C                                 | 4.5  |     |                        |
| $B_1$ Unity-gain bandwidth              | $V_I = 10\text{ mV}$ ,<br>See Figure 35                               | $C_L = 20\text{ pF}$ ,                  | 25°C                                 | 85   |     | kHz                    |
|   |   |   | 0°C                                  | 100  |     |                        |
|   |   |   | 70°C                                 | 65   |     |                        |
| $\phi_m$ Phase margin                   | $V_I = 10\text{ mV}$ ,<br>$C_L = 20\text{ pF}$ ,                      | $f = B_1$ ,<br>See Figure 35            | 25°C                                 | 34°  |     |                        |
|   |   |   | 0°C                                  | 36°  |     |                        |
|   |   |   | 70°C                                 | 30°  |     |                        |

**operating characteristics at specified free-air temperature,  $V_{DD} = 10\text{ V}$**

| PARAMETER                               | TEST CONDITIONS   | $T_A$                                   | TLC27L1C,<br>TLC27L1AC,<br>TLC27L1BC |      |     | UNIT                   |
|---|---|---|--------------------------------------|------|-----|------------------------|
|   |   |   | MIN                                  | TYP  | MAX |                        |
| SR Slew rate at unity gain              | $R_L = 1\text{ M}\Omega$ ,<br>$C_L = 20\text{ pF}$ ,<br>See Figure 33 | $V_{I(PP)} = 1\text{ V}$                | 25°C                                 | 0.05 |     | V/ $\mu$ s             |
|   |   |   | 0°C                                  | 0.05 |     |                        |
|   |   |   | 70°C                                 | 0.04 |     |                        |
|   |   | $V_{I(PP)} = 5.5\text{ V}$              | 25°C                                 | 0.04 |     |                        |
|   |   |   | 0°C                                  | 0.05 |     |                        |
|   |   |   | 70°C                                 | 0.04 |     |                        |
| $V_n$ Equivalent input noise voltage    | $f = 1\text{ kHz}$ ,<br>See Figure 34                                 | $R_S = 20\ \Omega$ ,                    | 25°C                                 | 68   |     | nV/ $\sqrt{\text{Hz}}$ |
| $B_{OM}$ Maximum output-swing bandwidth | $V_O = V_{OH}$ ,<br>$R_L = 1\text{ M}\Omega$ ,                        | $C_L = 20\text{ pF}$ ,<br>See Figure 33 | 25°C                                 | 1    |     | kHz                    |
|   |   |   | 0°C                                  | 1.3  |     |                        |
|   |   |   | 70°C                                 | 0.9  |     |                        |
| $B_1$ Unity-gain bandwidth              | $V_I = 10\text{ mV}$ ,<br>See Figure 35                               | $C_L = 20\text{ pF}$ ,                  | 25°C                                 | 110  |     | kHz                    |
|   |   |   | 0°C                                  | 125  |     |                        |
|   |   |   | 70°C                                 | 90   |     |                        |
| $\phi_m$ Phase margin                   | $V_I = 10\text{ mV}$ ,<br>$C_L = 20\text{ pF}$ ,                      | $f = B_1$ ,<br>See Figure 35            | 25°C                                 | 38°  |     |                        |
|   |   |   | 0°C                                  | 40°  |     |                        |
|   |   |   | 70°C                                 | 34°  |     |                        |



**TLC27L1, TLC27L1A, TLC27L1B**  
**LinCMOS™ LOW-POWER**  
**OPERATIONAL AMPLIFIERS**

SLOS154A – DECEMBER 1995 – REVISED MARCH 2001

**operating characteristics at specified free-air temperature,  $V_{DD} = 5\text{ V}$**

| PARAMETER                            | TEST CONDITIONS   |   | $T_A$ | TLC27L1I,<br>TLC27L1AI,<br>TLC27L1BI |     |                        | UNIT |
|--------------------------------------|---|---|-------|--------------------------------------|-----|------------------------|------|
|                                      |   |   |       | MIN                                  | TYP | MAX                    |      |
| SR Slew rate at unity gain           | $R_L = 1\text{ M}\Omega$ ,<br>$C_L = 20\text{ pF}$ ,<br>See Figure 33 | $V_{I(PP)} = 1\text{ V}$                | 25°C  | 0.03                                 |     | V/ $\mu$ s             |      |
|                                      |   |   | -40°C | 0.04                                 |     |                        |      |
|                                      |   |   | 85°C  | 0.03                                 |     |                        |      |
|                                      |   | $V_{I(PP)} = 2.5\text{ V}$              | 25°C  | 0.03                                 |     |                        |      |
|                                      |   |   | -40°C | 0.04                                 |     |                        |      |
|                                      |   |   | 85°C  | 0.02                                 |     |                        |      |
| $V_n$ Equivalent input noise voltage | $f = 1\text{ kHz}$ ,<br>See Figure 34                                 | $R_S = 20\ \Omega$                      | 25°C  | 68                                   |     | nV/ $\sqrt{\text{Hz}}$ |      |
| BOM Maximum output-swing bandwidth   | $V_O = V_{OH}$ ,<br>$R_L = 1\text{ M}\Omega$ ,                        | $C_L = 20\text{ pF}$ ,<br>See Figure 33 | 25°C  | 5                                    |     | kHz                    |      |
|                                      |   |   | -40°C | 7                                    |     |                        |      |
|                                      |   |   | 85°C  | 4                                    |     |                        |      |
| B <sub>1</sub> Unity-gain bandwidth  | $V_I = 10\text{ mV}$ ,<br>See Figure 35                               | $C_L = 20\text{ pF}$ ,                  | 25°C  | 85                                   |     | MHz                    |      |
|                                      |   |   | -40°C | 130                                  |     |                        |      |
|                                      |   |   | 85°C  | 55                                   |     |                        |      |
| $\phi_m$ Phase margin                | $V_I = 10\text{ mV}$ ,<br>$C_L = 20\text{ pF}$ ,                      | $f = B_1$ ,<br>See Figure 35            | 25°C  | 34°                                  |     |                        |      |
|                                      |   |   | -40°C | 38°                                  |     |                        |      |
|                                      |   |   | 85°C  | 28°                                  |     |                        |      |

**operating characteristics at specified free-air temperature,  $V_{DD} = 10\text{ V}$**

| PARAMETER                            | TEST CONDITIONS   |   | $T_A$ | TLC27L1C,<br>TLC27L1AC,<br>TLC27L1BC |     |                        | UNIT |
|--------------------------------------|---|---|-------|--------------------------------------|-----|------------------------|------|
|                                      |   |   |       | MIN                                  | TYP | MAX                    |      |
| SR Slew rate at unity gain           | $R_L = 1\text{ M}\Omega$ ,<br>$C_L = 20\text{ pF}$ ,<br>See Figure 33 | $V_{I(PP)} = 1\text{ V}$                | 25°C  | 0.05                                 |     | V/ $\mu$ s             |      |
|                                      |   |   | -40°C | 0.06                                 |     |                        |      |
|                                      |   |   | 85°C  | 0.03                                 |     |                        |      |
|                                      |   | $V_{I(PP)} = 5.5\text{ V}$              | 25°C  | 0.04                                 |     |                        |      |
|                                      |   |   | -40°C | 0.05                                 |     |                        |      |
|                                      |   |   | 85°C  | 0.03                                 |     |                        |      |
| $V_n$ Equivalent input noise voltage | $f = 1\text{ kHz}$ ,<br>See Figure 34                                 | $R_S = 20\ \Omega$                      | 25°C  | 68                                   |     | nV/ $\sqrt{\text{Hz}}$ |      |
| BOM Maximum output-swing bandwidth   | $V_O = V_{OH}$ ,<br>$R_L = 1\text{ M}\Omega$ ,                        | $C_L = 20\text{ pF}$ ,<br>See Figure 33 | 25°C  | 1                                    |     | kHz                    |      |
|                                      |   |   | -40°C | 1.4                                  |     |                        |      |
|                                      |   |   | 85°C  | 0.8                                  |     |                        |      |
| B <sub>1</sub> Unity-gain bandwidth  | $V_I = 10\text{ mV}$ ,<br>See Figure 35                               | $C_L = 20\text{ pF}$ ,                  | 25°C  | 110                                  |     | MHz                    |      |
|                                      |   |   | -40°C | 155                                  |     |                        |      |
|                                      |   |   | 85°C  | 80                                   |     |                        |      |
| $\phi_m$ Phase margin                | $V_I = 10\text{ mV}$ ,<br>$C_L = 20\text{ pF}$ ,                      | $f = B_1$ ,<br>See Figure 35            | 25°C  | 38°                                  |     |                        |      |
|                                      |   |   | -40°C | 42°                                  |     |                        |      |
|                                      |   |   | 85°C  | 32°                                  |     |                        |      |





TLC27L1, TLC27L1A, TLC27L1B  
**LinCMOS™ LOW-POWER  
 OPERATIONAL AMPLIFIERS**

SLOS154A – DECEMBER 1995 – REVISED MARCH 2001

**operating characteristics at specified free-air temperature,  $V_{DD} = 5\text{ V}$**

| PARAMETER                               | TEST CONDITIONS   | $T_A$                          | TLC27L1M |      |                        | UNIT       |
|---|---|--------------------------------|----------|------|------------------------|------------|
|   |   |                                | MIN      | TYP  | MAX                    |            |
| SR Slew rate at unity gain              | $R_L = 1\text{ M}\Omega$ ,<br>$C_L = 20\text{ pF}$ ,<br>See Figure 33 | $V_{I(PP)} = 1\text{ V}$       | 25°C     | 0.03 |                        | V/ $\mu$ s |
|   |   |                                | -55°C    | 0.04 |                        |            |
|   |   |                                | 125°C    | 0.02 |                        |            |
|   |   | $V_{I(PP)} = 2.5\text{ V}$     | 25°C     | 0.03 |                        |            |
|   |   |                                | -55°C    | 0.04 |                        |            |
|   |   |                                | 125°C    | 0.02 |                        |            |
| $V_n$ Equivalent input noise voltage    | $f = 1\text{ kHz}$ ,<br>See Figure 34                                 | $R_S = 20\ \Omega$ ,<br>25°C   | 68       |      | nV/ $\sqrt{\text{Hz}}$ |            |
| $B_{OM}$ Maximum output-swing bandwidth | $V_O = V_{OH}$ ,<br>$R_L = 1\text{ M}\Omega$ ,<br>See Figure 33       | 25°C                           | 5        |      | kHz                    |            |
|   |   | -55°C                          | 8        |      |                        |            |
|   |   | 125°C                          | 3        |      |                        |            |
| $B_1$ Unity-gain bandwidth              | $V_I = 10\text{ mV}$ ,<br>See Figure 35                               | $C_L = 20\text{ pF}$ ,<br>25°C | 85       |      | kHz                    |            |
|   |   |                                | 140      |      |                        |            |
|   |   |                                | 45       |      |                        |            |
| $\phi_m$ Phase margin                   | $V_I = 10\text{ mV}$ ,<br>$C_L = 20\text{ pF}$ ,<br>See Figure 35     | $f = B_1$ ,<br>See Figure 35   | 34°      |      |                        |            |
|   |   |                                | 39°      |      |                        |            |
|   |   |                                | 25°      |      |                        |            |

**operating characteristics at specified free-air temperature,  $V_{DD} = 10\text{ V}$**

| PARAMETER                               | TEST CONDITIONS   | $T_A$                          | TLC27L1M |      |                        | UNIT       |
|---|---|--------------------------------|----------|------|------------------------|------------|
|   |   |                                | MIN      | TYP  | MAX                    |            |
| SR Slew rate at unity gain              | $R_L = 1\text{ M}\Omega$ ,<br>$C_L = 20\text{ pF}$ ,<br>See Figure 33 | $V_{I(PP)} = 1\text{ V}$       | 25°C     | 0.05 |                        | V/ $\mu$ s |
|   |   |                                | -55°C    | 0.06 |                        |            |
|   |   |                                | 125°C    | 0.03 |                        |            |
|   |   | $V_{I(PP)} = 5.5\text{ V}$     | 25°C     | 0.04 |                        |            |
|   |   |                                | -55°C    | 0.06 |                        |            |
|   |   |                                | 125°C    | 0.03 |                        |            |
| $V_n$ Equivalent input noise voltage    | $f = 1\text{ kHz}$ ,<br>See Figure 34                                 | $R_S = 20\ \Omega$ ,<br>25°C   | 68       |      | nV/ $\sqrt{\text{Hz}}$ |            |
| $B_{OM}$ Maximum output-swing bandwidth | $V_O = V_{OH}$ ,<br>$R_L = 1\text{ M}\Omega$ ,<br>See Figure 33       | 25°C                           | 1        |      | kHz                    |            |
|   |   | -55°C                          | 1.5      |      |                        |            |
|   |   | 125°C                          | 0.7      |      |                        |            |
| $B_1$ Unity-gain bandwidth              | $V_I = 10\text{ mV}$ ,<br>See Figure 35                               | $C_L = 20\text{ pF}$ ,<br>25°C | 110      |      | kHz                    |            |
|   |   |                                | 165      |      |                        |            |
|   |   |                                | 70       |      |                        |            |
| $\phi_m$ Phase margin                   | $V_I = 10\text{ mV}$ ,<br>$C_L = 20\text{ pF}$ ,<br>See Figure 35     | $f = B_1$ ,<br>See Figure 35   | 38°      |      |                        |            |
|   |   |                                | 43°      |      |                        |            |
|   |   |                                | 29°      |      |                        |            |



**TLC27L1, TLC27L1A, TLC27L1B**  
**LinCMOS™ LOW-POWER**  
**OPERATIONAL AMPLIFIERS**

SLOS154A – DECEMBER 1995 – REVISED MARCH 2001

**TYPICAL CHARACTERISTICS**

**Table of Graphs**

|                |   | <b>FIGURE</b>                 |        |
|----------------|---|-------------------------------|--------|
| $V_{IO}$       | Input offset voltage                            | Distribution                  | 1, 2   |
| $\alpha_{VIO}$ | Temperature coefficient                         | Distribution                  | 3, 4   |
| $V_{OH}$       | High-level output voltage                       | vs High-level output current  | 5, 6   |
|                |   | vs Supply voltage             | 7      |
|                |   | vs Free-air temperature       | 8      |
| $V_{OL}$       | Low-level output voltage                        | vs Common-mode input voltage  | 9, 10  |
|                |   | vs Differential input voltage | 11     |
|                |   | vs Free-air temperature       | 12     |
|                |   | vs Low-level output current   | 13, 14 |
| $A_{VD}$       | Large-signal differential voltage amplification | vs Supply voltage             | 15     |
|                |   | vs Free-air temperature       | 16     |
|                |   | vs Frequency                  | 27, 28 |
| $I_{IB}$       | Input bias current                              | vs Free-air temperature       | 17     |
| $I_{IO}$       | Input offset current                            | vs Free-air temperature       | 17     |
| $V_I$          | Maximum input voltage                           | vs Supply voltage             | 18     |
| $I_{DD}$       | Supply current                                  | vs Supply voltage             | 19     |
|                |   | vs Free-air temperature       | 20     |
| SR             | Slew rate                                       | vs Supply voltage             | 21     |
|                |   | vs Free-air temperature       | 22     |
|                | Bias-select current                             | vs Supply voltage             | 23     |
| $V_{O(PP)}$    | Maximum peak-to-peak output voltage             | vs Frequency                  | 24     |
| $B_1$          | Unity-gain bandwidth                            | vs Free-air temperature       | 25     |
|                |   | vs Supply voltage             | 26     |
| $\phi_m$       | Phase margin                                    | vs Supply voltage             | 29     |
|                |   | vs Free-air temperature       | 30     |
|                |   | vs Capacitive load            | 31     |
| $V_n$          | Equivalent input noise voltage                  | vs Frequency                  | 32     |
|                |   | Phase shift                   | 27, 28 |



TYPICAL CHARACTERISTICS†

DISTRIBUTION OF TLC27L1  
 INPUT OFFSET VOLTAGE

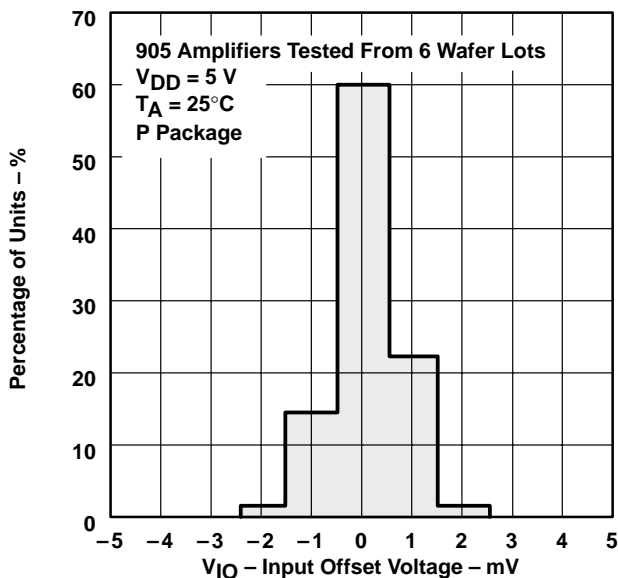


Figure 1

DISTRIBUTION OF TLC27L1  
 INPUT OFFSET VOLTAGE

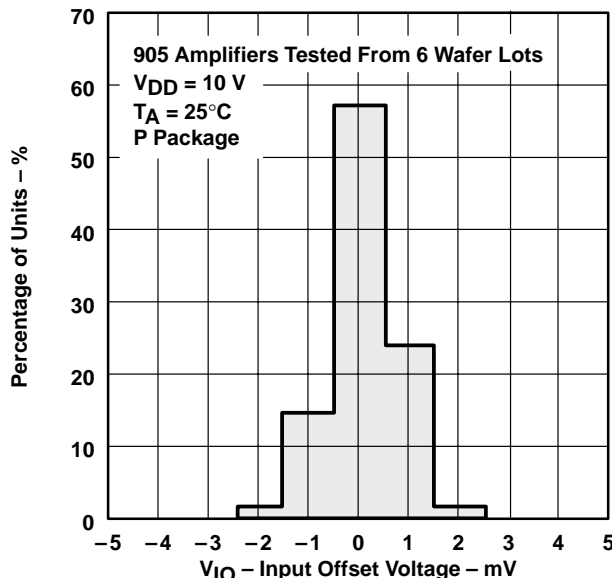


Figure 2

DISTRIBUTION OF TLC27L1  
 INPUT OFFSET VOLTAGE  
 TEMPERATURE COEFFICIENT

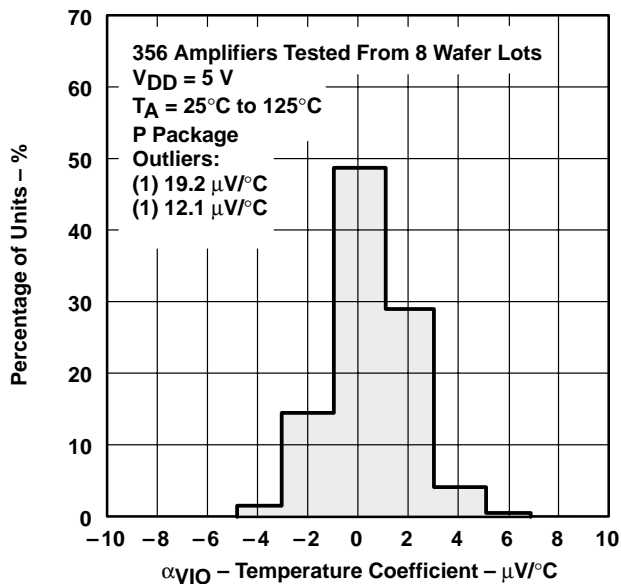


Figure 3

DISTRIBUTION OF TLC27L1  
 INPUT OFFSET VOLTAGE  
 TEMPERATURE COEFFICIENT

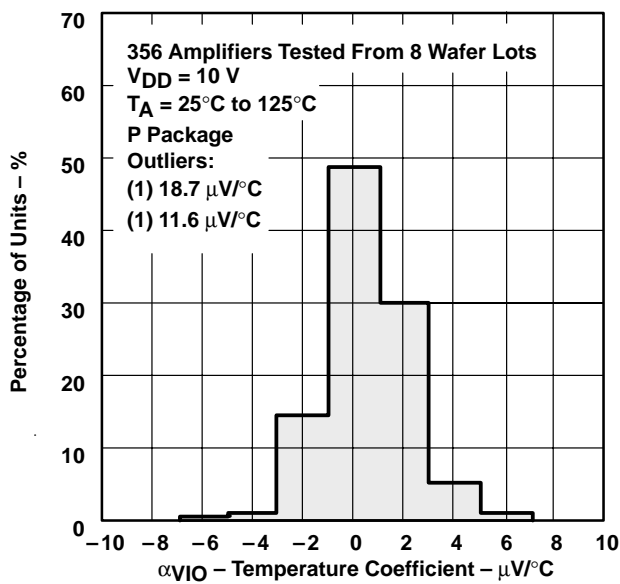


Figure 4

† Data at high and low temperatures are applicable only within the rated operating free-air temperature ranges of the various devices.

TYPICAL CHARACTERISTICS†

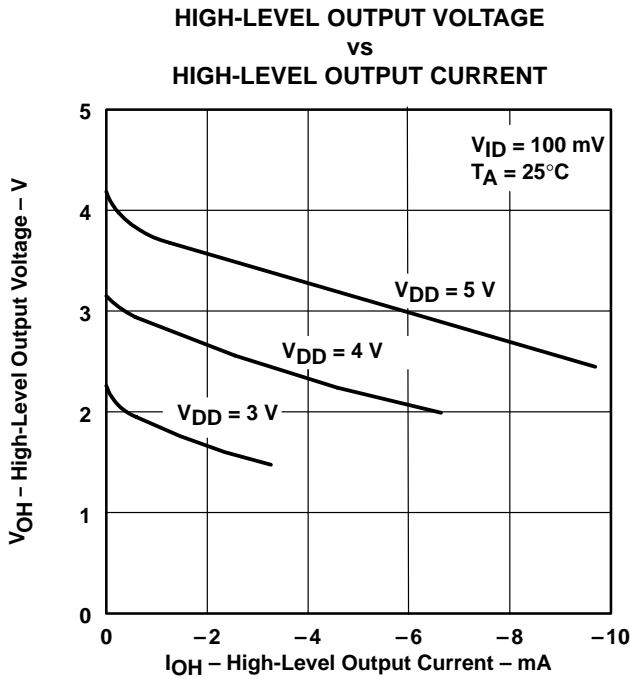


Figure 5

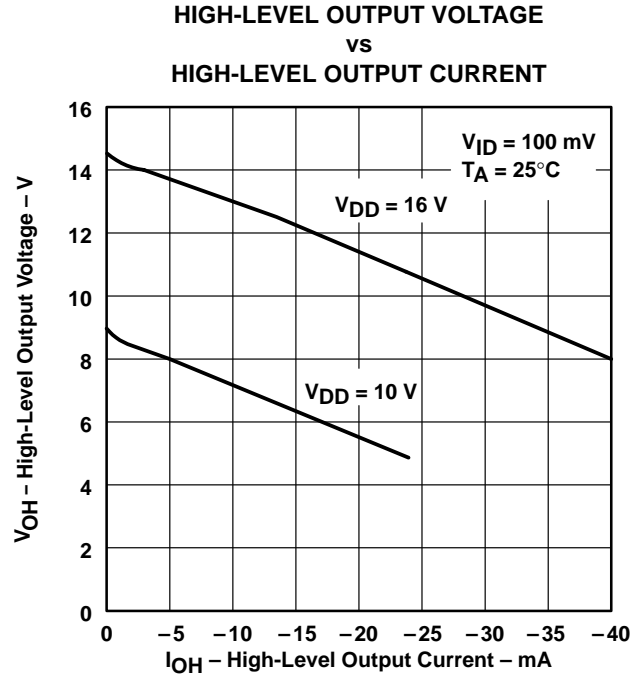


Figure 6

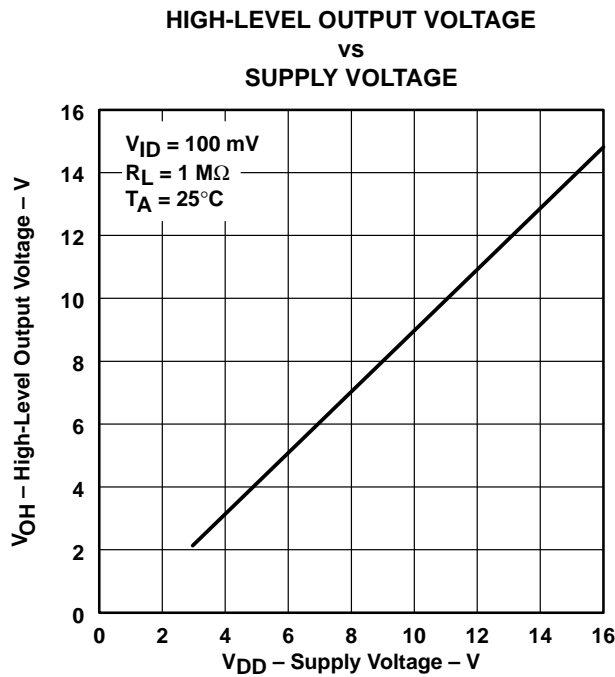


Figure 7

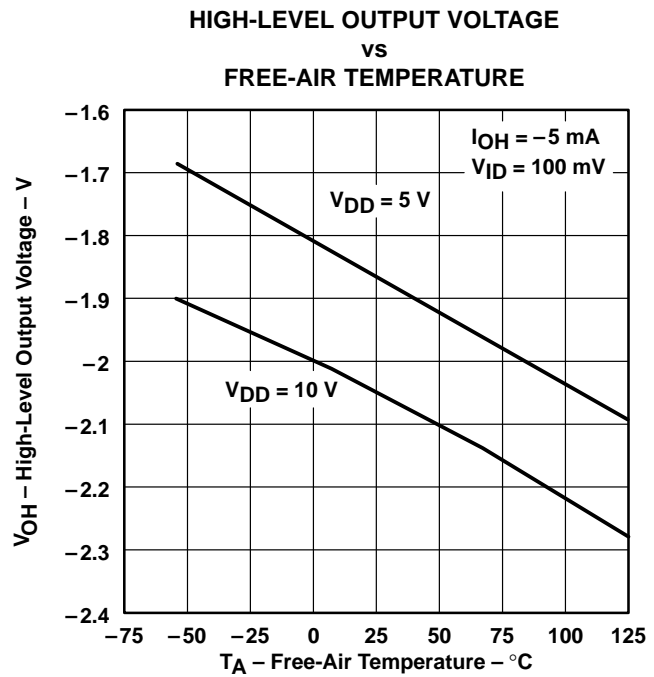


Figure 8

† Data at high and low temperatures are applicable only within the rated operating free-air temperature ranges of the various devices.

TYPICAL CHARACTERISTICS†

LOW-LEVEL OUTPUT VOLTAGE  
 vs  
 COMMON-MODE INPUT VOLTAGE

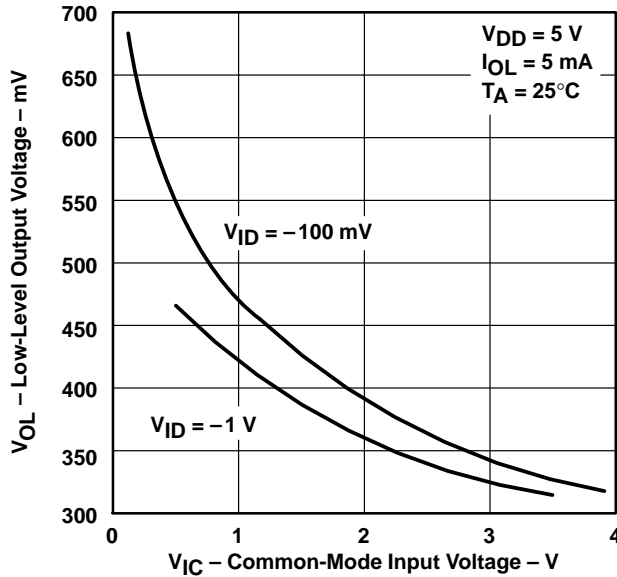


Figure 9

LOW-LEVEL OUTPUT VOLTAGE  
 vs  
 COMMON-MODE INPUT VOLTAGE

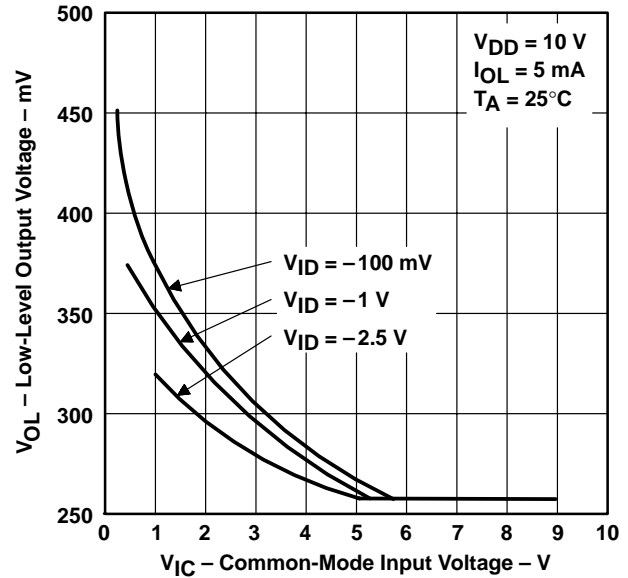


Figure 10

LOW-LEVEL OUTPUT VOLTAGE  
 vs  
 DIFFERENTIAL INPUT VOLTAGE

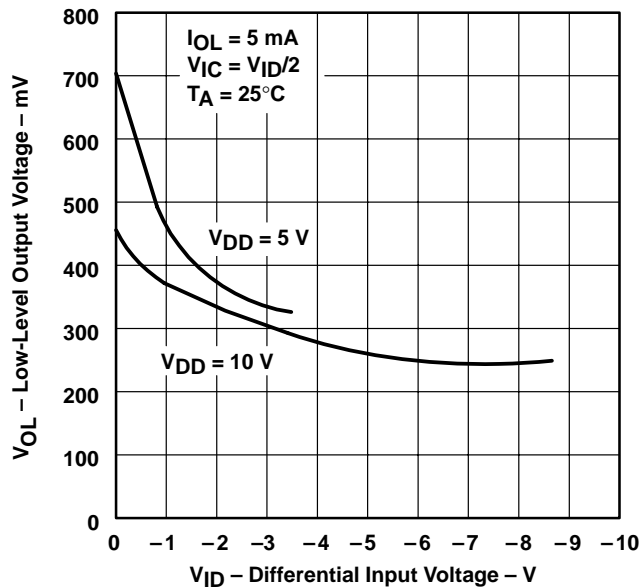


Figure 11

LOW-LEVEL OUTPUT VOLTAGE  
 vs  
 FREE-AIR TEMPERATURE

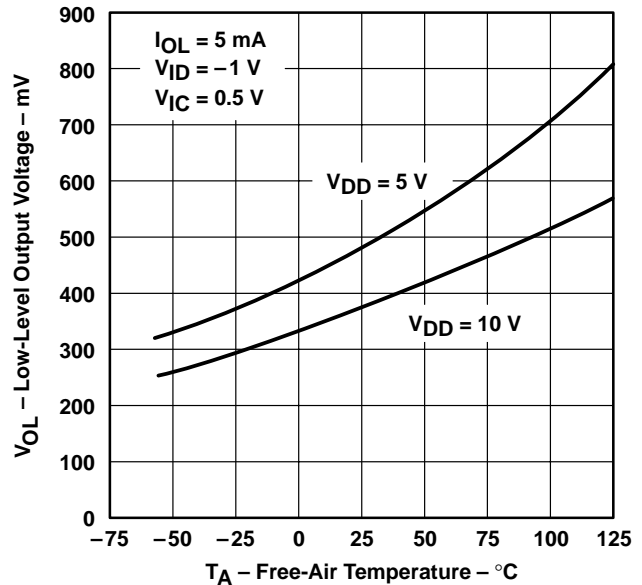
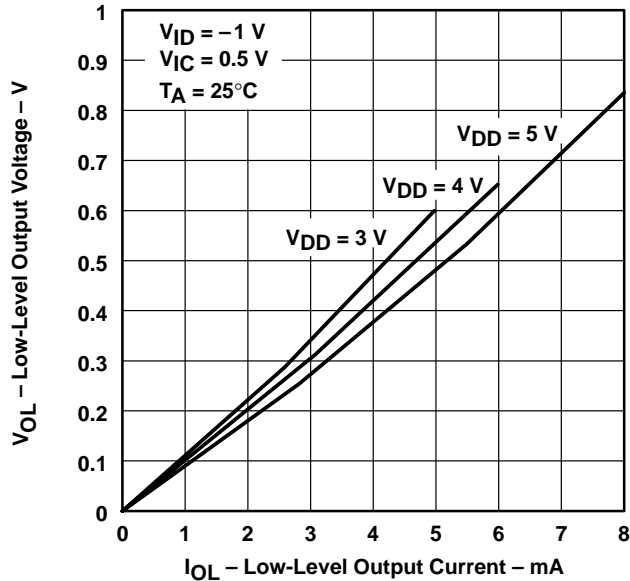


Figure 12

† Data at high and low temperatures are applicable only within the rated operating free-air temperature ranges of the various devices.

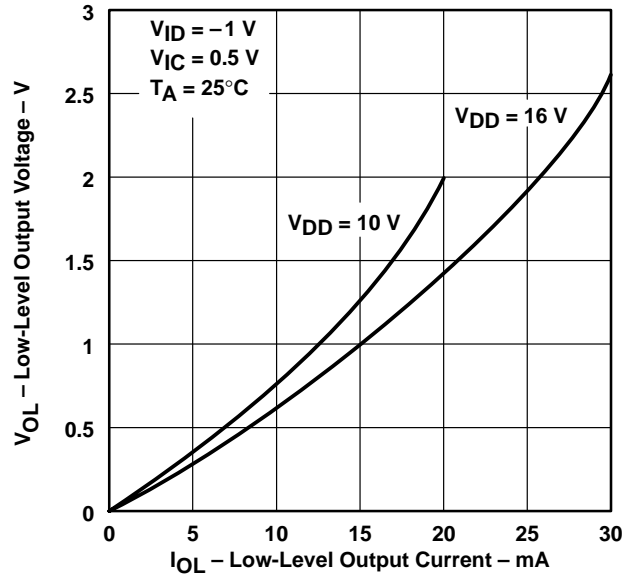
**TYPICAL CHARACTERISTICS†**

**LOW-LEVEL OUTPUT VOLTAGE  
 vs  
 LOW-LEVEL OUTPUT CURRENT**



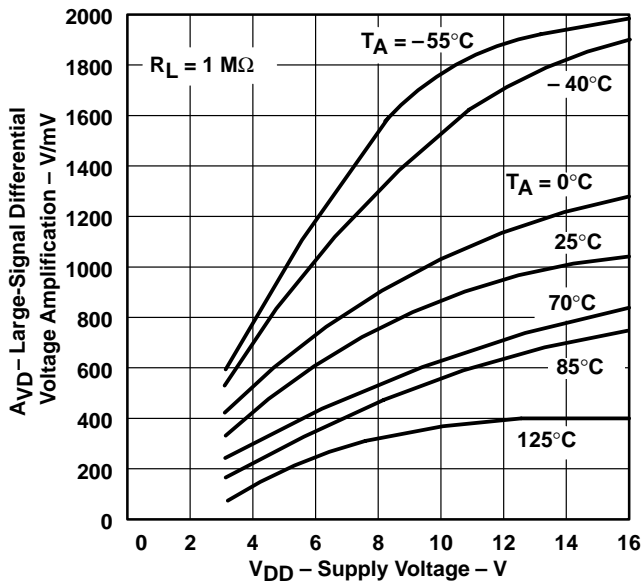
**Figure 13**

**LOW-LEVEL OUTPUT VOLTAGE  
 vs  
 LOW-LEVEL OUTPUT CURRENT**



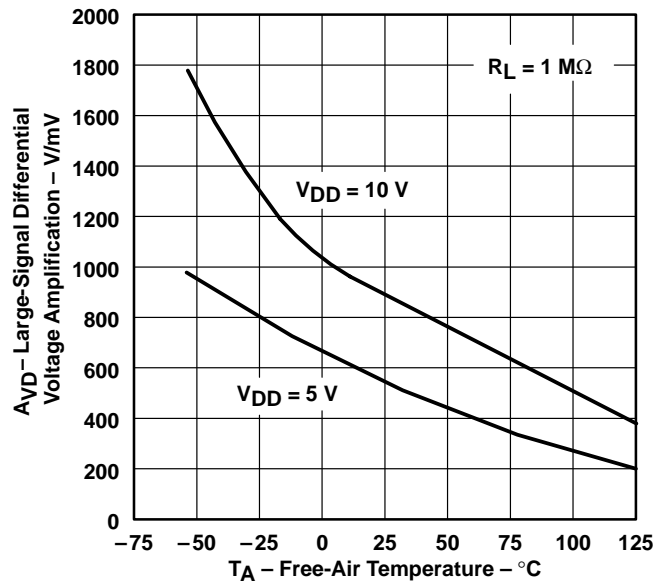
**Figure 14**

**LARGE-SIGNAL  
 DIFFERENTIAL VOLTAGE AMPLIFICATION  
 vs  
 SUPPLY VOLTAGE**



**Figure 15**

**LARGE-SIGNAL  
 DIFFERENTIAL VOLTAGE AMPLIFICATION  
 vs  
 FREE-AIR TEMPERATURE**

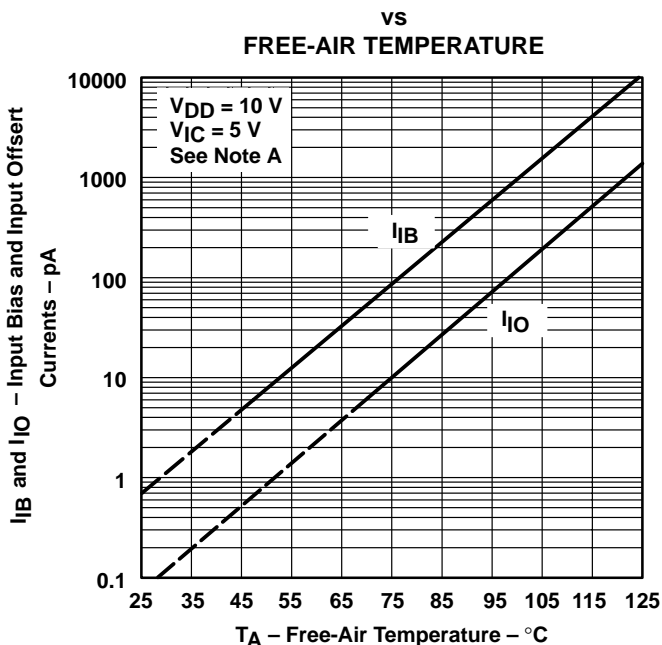


**Figure 16**

† Data at high and low temperatures are applicable only within the rated operating free-air temperature ranges of the various devices.

TYPICAL CHARACTERISTICS†

INPUT BIAS AND INPUT OFFSET  
 CURRENTS



NOTE A: The typical values of input bias current and input offset current below 5 pA were determined mathematically.

Figure 17

MAXIMUM INPUT VOLTAGE  
 vs  
 SUPPLY VOLTAGE

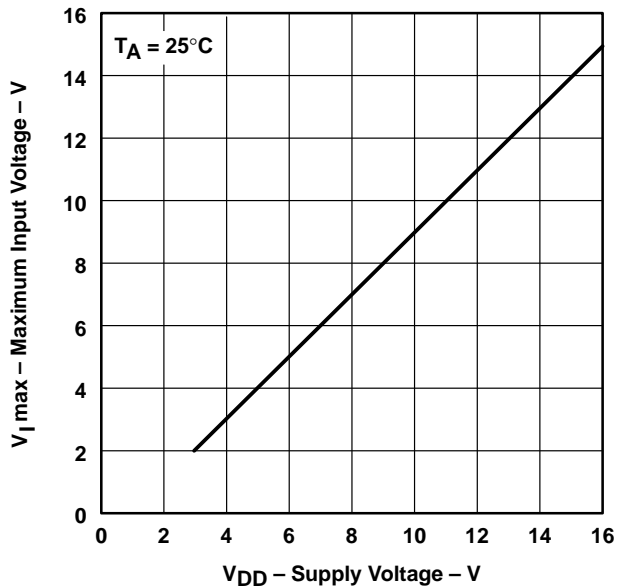


Figure 18

SUPPLY CURRENT  
 vs  
 SUPPLY VOLTAGE

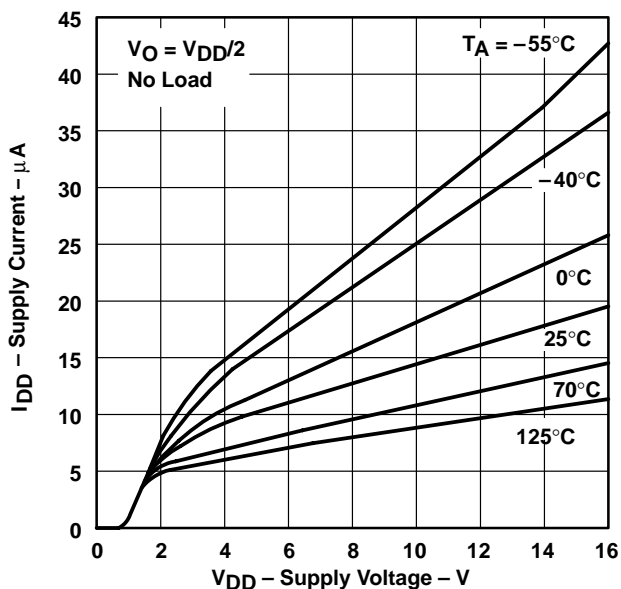


Figure 19

SUPPLY CURRENT  
 vs  
 FREE-AIR TEMPERATURE

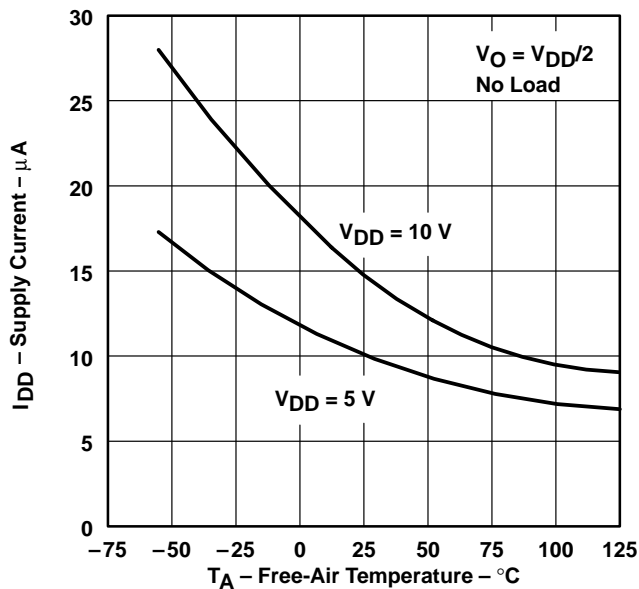


Figure 20

† Data at high and low temperatures are applicable only within the rated operating free-air temperature ranges of the various devices.

TYPICAL CHARACTERISTICS†

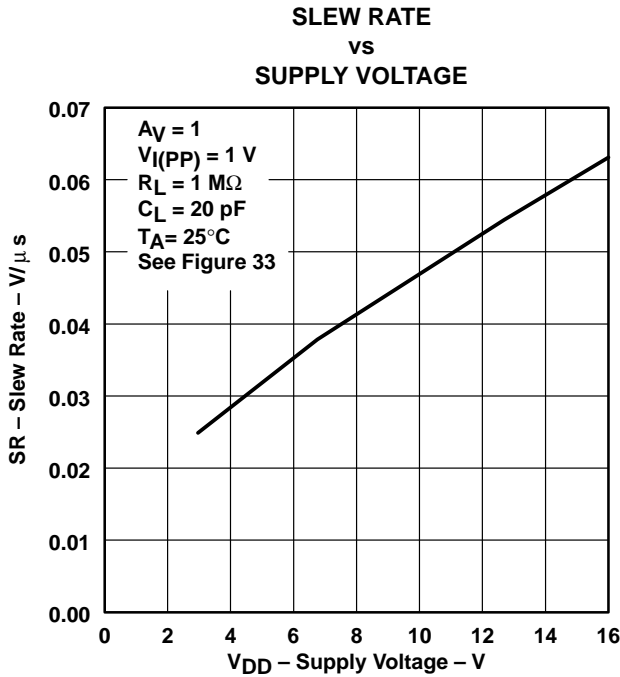


Figure 21

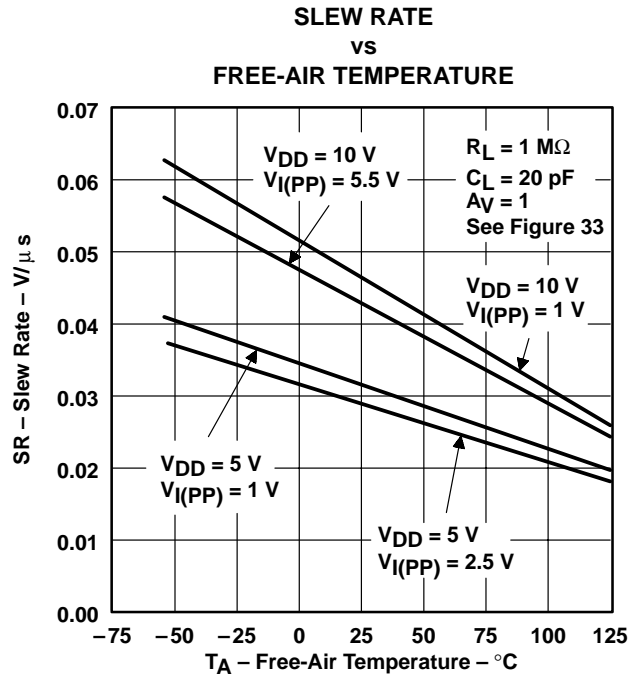


Figure 22

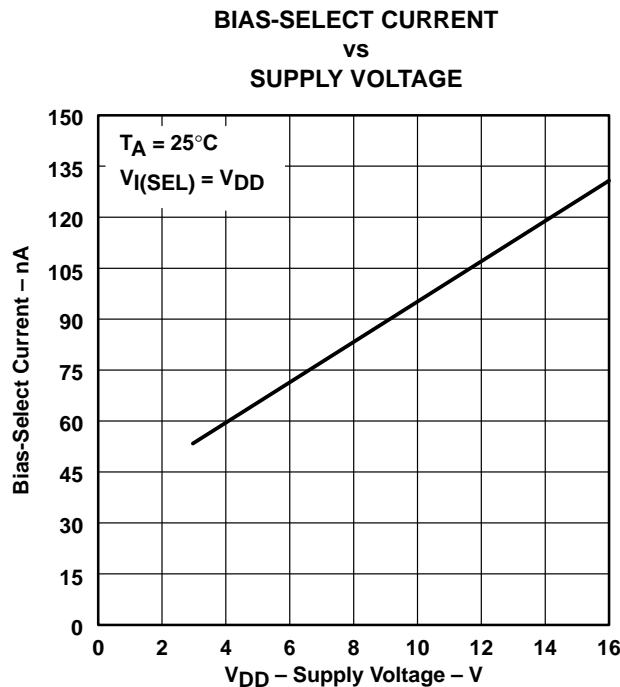


Figure 23

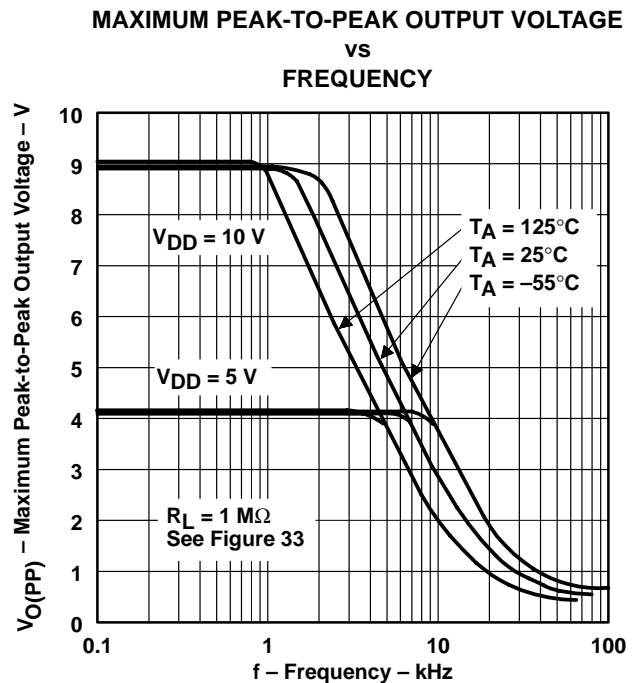


Figure 24

† Data at high and low temperatures are applicable only within the rated operating free-air temperature ranges of the various devices.



TYPICAL CHARACTERISTICS†

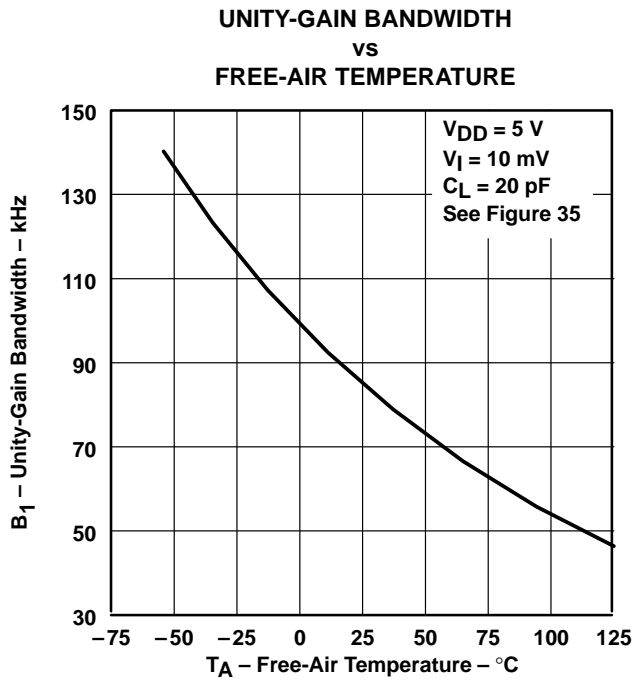


Figure 25

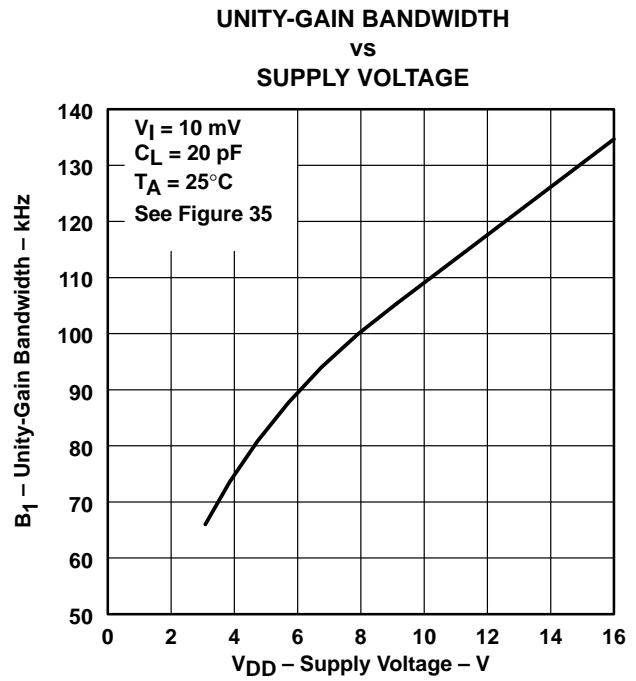


Figure 26

**LARGE-SIGNAL DIFFERENTIAL VOLTAGE  
 AMPLIFICATION AND PHASE SHIFT  
 vs  
 FREQUENCY**

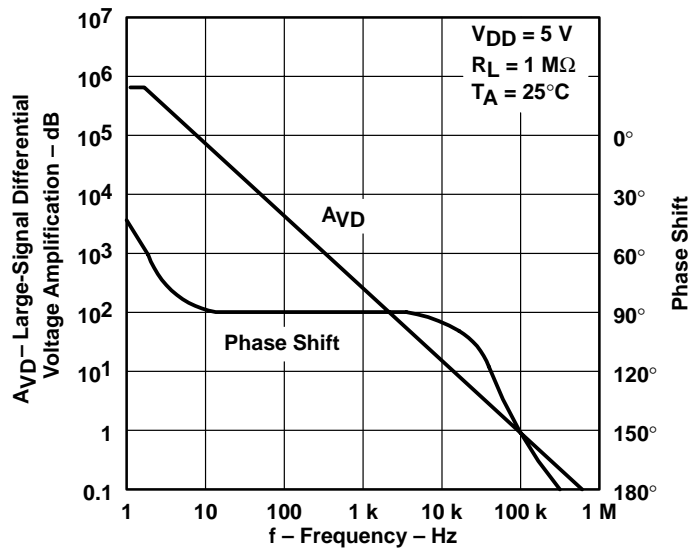


Figure 27

† Data at high and low temperatures are applicable only within the rated operating free-air temperature ranges of the various devices.

TYPICAL CHARACTERISTICS†

LARGE-SIGNAL DIFFERENTIAL VOLTAGE  
 AMPLIFICATION AND PHASE SHIFT  
 vs  
 FREQUENCY

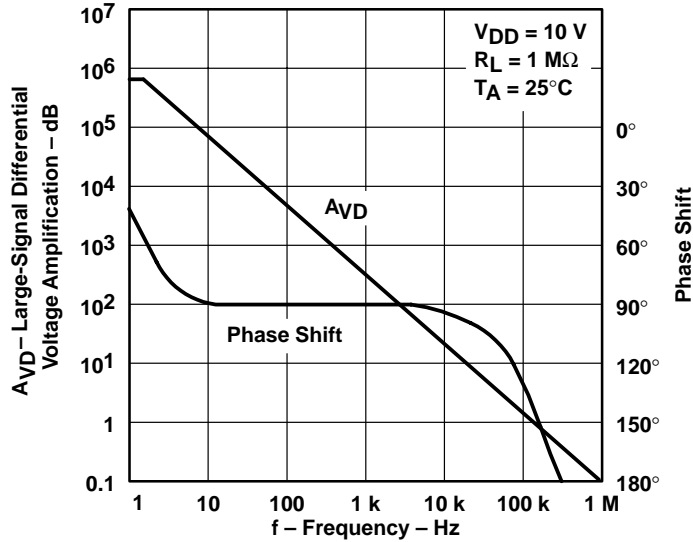


Figure 28

PHASE MARGIN  
 vs  
 SUPPLY VOLTAGE

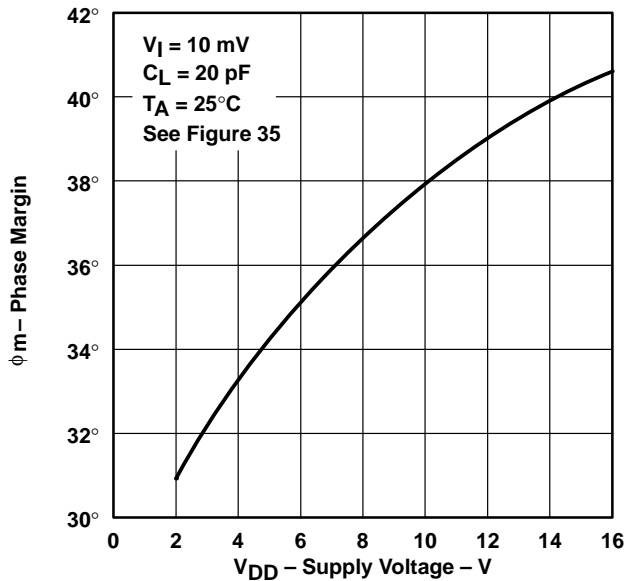


Figure 29

PHASE MARGIN  
 vs  
 FREE-AIR TEMPERATURE

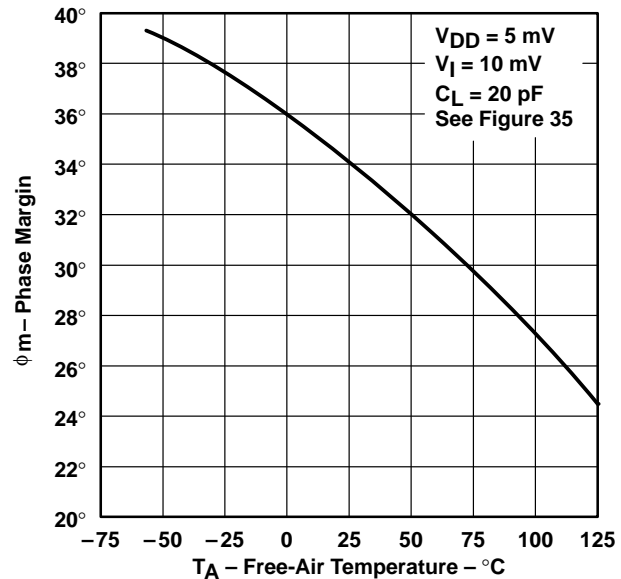


Figure 30

† Data at high and low temperatures are applicable only within the rated operating free-air temperature ranges of the various devices.

TYPICAL CHARACTERISTICS†

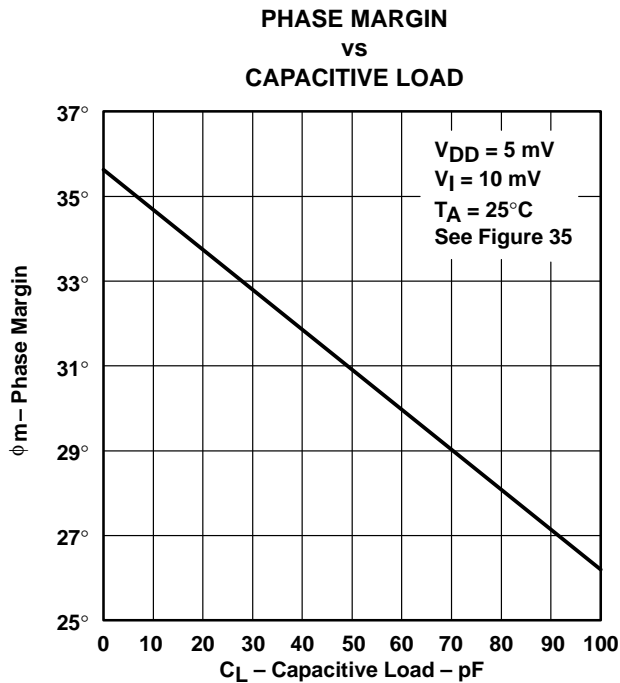


Figure 31

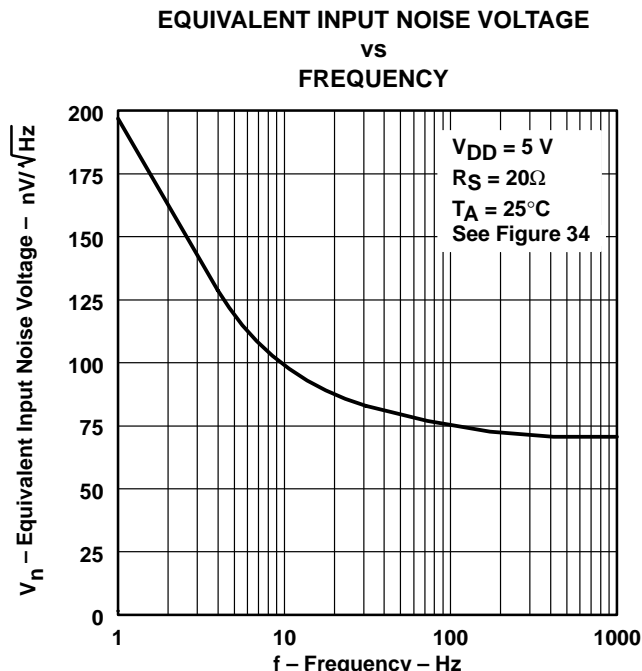


Figure 32

† Data at high and low temperatures are applicable only within the rated operating free-air temperature ranges of the various devices.

PARAMETER MEASUREMENT INFORMATION

single-supply versus split-supply test circuits

Because the TLC27L1 is optimized for single-supply operation, circuit configurations used for the various tests often present some inconvenience since the input signal, in many cases, must be offset from ground. This inconvenience can be avoided by testing the device with split supplies and the output load tied to the negative rail. A comparison of single-supply versus split-supply test circuits is shown below. The use of either circuit gives the same result.

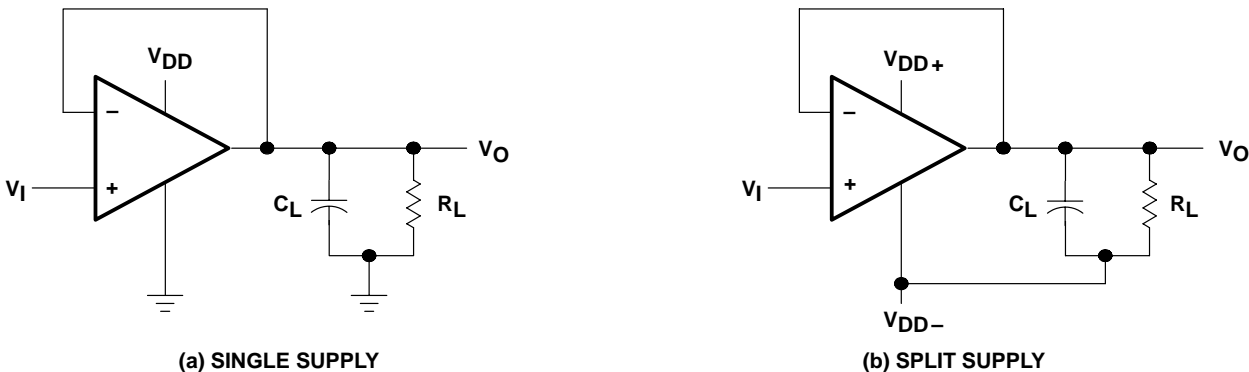


Figure 33. Unity-Gain Amplifier

PARAMETER MEASUREMENT INFORMATION

single-supply versus split-supply test circuits (continued)

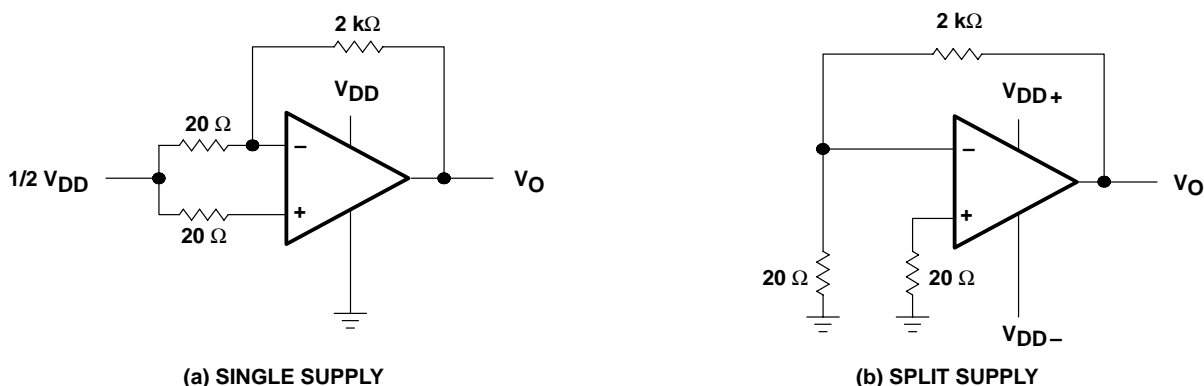


Figure 34. Noise-Test Circuit

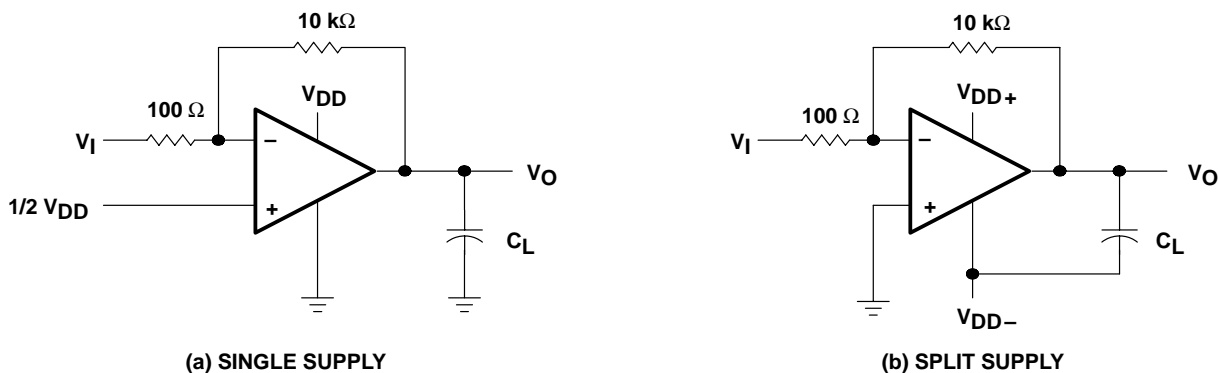


Figure 35. Gain-of-100 Inverting Amplifier

input bias current

Due to the high input impedance of the TLC27L1 operational amplifiers, attempts to measure the input bias current can result in erroneous readings. The bias current at normal room ambient temperature is typically less than 1 pA, a value that is easily exceeded by leakages on the test socket. Two suggestions are offered to avoid erroneous measurements:

1. Isolate the device from other potential leakage sources. Use a grounded shield around and between the device inputs (see Figure 36). Leakages that would otherwise flow to the inputs are shunted away.
2. Compensate for the leakage of the test socket by actually performing an input bias-current test (using a picoammeter) with no device in the test socket. The actual input bias current can then be calculated by subtracting the open-socket leakage readings from the readings obtained with a device in the test socket.

One word of caution: many automatic testers as well as some bench-top operational amplifier testers use the servo-loop technique with a resistor in series with the device input to measure the input bias current (the voltage drop across the series resistor is measured and the bias current is calculated). This method requires that a device be inserted into the test socket to obtain a correct reading; therefore, an open-socket reading is not feasible using this method.

## PARAMETER MEASUREMENT INFORMATION

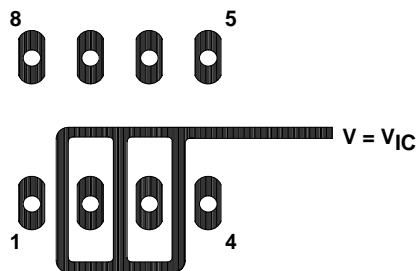


Figure 36. Isolation Metal Around Device Inputs (JG and P packages)

### low-level output voltage

To obtain low-supply-voltage operation, some compromise is necessary in the input stage. This compromise results in the device low-level output being dependent on both the common-mode input voltage level as well as the differential input voltage level. When attempting to correlate low-level output readings with those quoted in the electrical specifications, these two conditions should be observed. When conditions other than these are to be used, please refer to the Typical Characteristics section of this data sheet.

### input offset-voltage temperature coefficient

Erroneous readings often result from attempts to measure the temperature coefficient of input offset voltage. This parameter is actually a calculation using input offset-voltage measurements obtained at two different temperatures. When one (or both) of the temperatures is below freezing, moisture can collect on both the device and the test socket. This moisture results in leakage and contact resistance which can cause erroneous input offset-voltage readings. The isolation techniques previously mentioned have no effect on the leakage since the moisture also covers the isolation metal itself, thereby rendering it useless. It is suggested that these measurements be performed at temperatures above freezing to minimize error.

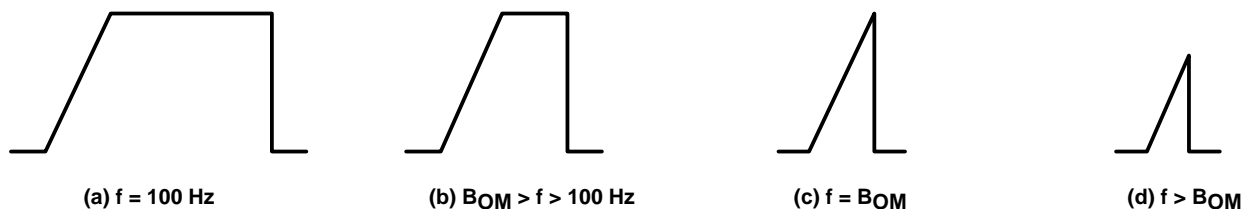
### full-power response

Full-power response, the frequency above which the amplifier slew rate limits the output voltage swing, is often specified two ways: full-linear response and full-peak response. The full-linear response is generally measured by monitoring the distortion level of the output while increasing the frequency of a sinusoidal input signal until the maximum frequency is found above which the output contains significant distortion. The full-peak response is defined as the maximum output frequency, without regard to distortion, above which full peak-to-peak output swing cannot be maintained.

Since there is no industry-wide accepted value for significant distortion, the full-peak response is specified in this data sheet and is measured using the circuit in Figure 33. The initial setup involves the use of a sinusoidal input to determine the maximum peak-to-peak output of the device (the amplitude of the sinusoidal wave is increased until clipping occurs). The sinusoidal wave is then replaced with a square wave of the same amplitude. The frequency is then increased until the maximum peak-to-peak output can no longer be maintained (Figure 37). A square wave allows a more accurate determination of the point at which the maximum peak-to-peak output is reached.

**PARAMETER MEASUREMENT INFORMATION**

**full-power response (continued)**



**Figure 37. Full-Power-Response Output Signal**

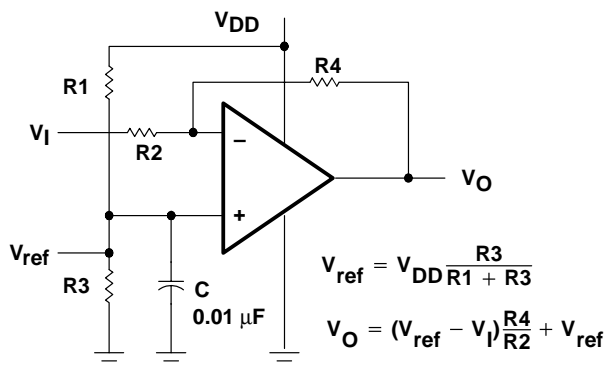
**test time**

Inadequate test time is a frequent problem, especially when testing CMOS devices in a high-volume, short-test-time environment. Internal capacitances are inherently higher in CMOS than in bipolar and BiFET devices, and require longer test times than their bipolar and BiFET counterparts. The problem becomes more pronounced with reduced supply levels and lower temperatures.

**APPLICATION INFORMATION**

**single-supply operation**

While the TLC27L1 performs well using dual power supplies (also called balanced or split supplies), the design is optimized for single-supply operation. This includes an input common-mode voltage range that encompasses ground as well as an output voltage range that pulls down to ground. The supply voltage range extends down to 3 V (C-suffix types), thus allowing operation with supply levels commonly available for TTL and HCMOS; however, for maximum dynamic range, 16-V single-supply operation is recommended.



**Figure 38. Inverting Amplifier With Voltage Reference**

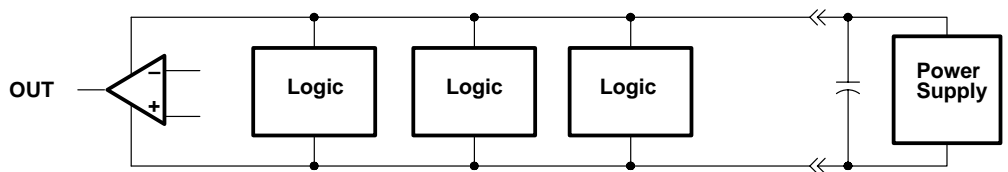
Many single-supply applications require that a voltage be applied to one input to establish a reference level that is above ground. A resistive voltage divider is usually sufficient to establish this reference level (see Figure 38). The low-input bias-current consumption of the TLC27L1 permits the use of very large resistive values to implement the voltage divider, thus minimizing power consumption.

The TLC27L1 works well in conjunction with digital logic; however, when powering both linear devices and digital logic from the same power supply, the following precautions are recommended:

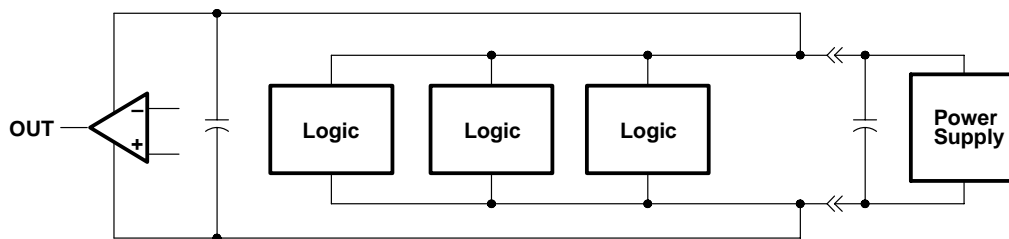
1. Power the linear devices from separate bypassed supply lines (see Figure 39); otherwise, the linear device supply rails can fluctuate due to voltage drops caused by high switching currents in the digital logic.
2. Use proper bypass techniques to reduce the probability of noise-induced errors. Single capacitive decoupling is often adequate; however, RC decoupling may be necessary in high-frequency applications.

APPLICATION INFORMATION

single-supply operation (continued)



(a) COMMON SUPPLY RAILS

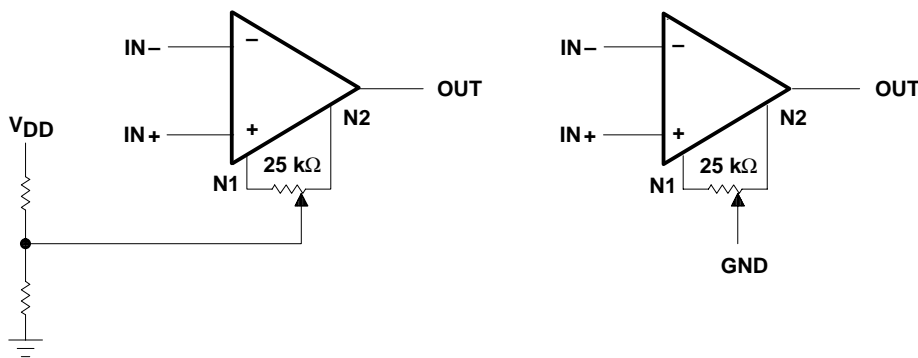


(b) SEPARATE BYPASSED SUPPLY RAILS (preferred)

Figure 39. Common Versus Separate Supply Rails

input offset voltage nulling

The TLC27L1 offers external input-offset null control. Nulling of the input-offset voltage may be achieved by adjusting a 25-k $\Omega$  potentiometer connected between the offset null terminals with the wiper connected as shown in Figure 40. Total nulling may not be possible.



(a) SINGLE SUPPLY

(b) SPLIT SUPPLY

Figure 40. Input Offset-Voltage Null Circuit

input characteristics

The TLC27L1 is specified with a minimum and a maximum input voltage that, if exceeded at either input, could cause the device to malfunction. Exceeding this specified range is a common problem, especially in single-supply operation. Note that the lower range limit includes the negative rail, while the upper range limit is specified at  $V_{DD} - 1$  V at  $T_A = 25^\circ\text{C}$  and at  $V_{DD} - 1.5$  V at all other temperatures.

APPLICATION INFORMATION

input characteristics (continued)

The use of the polysilicon-gate process and the careful input circuit design gives the TLC27L1 very good input offset-voltage drift characteristics relative to conventional metal-gate processes. Offset-voltage drift in CMOS devices is highly influenced by threshold voltage shifts caused by polarization of the phosphorus dopant implanted in the oxide. Placing the phosphorus dopant in a conductor (such as a polysilicon gate) alleviates the polarization problem, thus reducing threshold voltage shifts by more than an order of magnitude. The offset-voltage drift with time has been calculated to be typically 0.1  $\mu\text{V}/\text{month}$ , including the first month of operation.

Because of the extremely high input impedance and resulting low bias-current requirements, the TLC27L1 is well suited for low-level signal processing; however, leakage currents on printed circuit boards and sockets can easily exceed bias-current requirements and cause a degradation in device performance. It is good practice to include guard rings around inputs (similar to those of Figure 36 in the Parameter Measurement Information section). These guards should be driven from a low-impedance source at the same voltage level as the common-mode input (see Figure 41).

noise performance

The noise specifications in operational amplifier circuits are greatly dependent on the current in the first-stage differential amplifier. The low-input bias-current requirements of the TLC27L1 results in a very-low noise current, which is insignificant in most applications. This feature makes the devices especially favorable over bipolar devices when using values of circuit impedance greater than 50 k $\Omega$ , since bipolar devices exhibit greater noise currents.

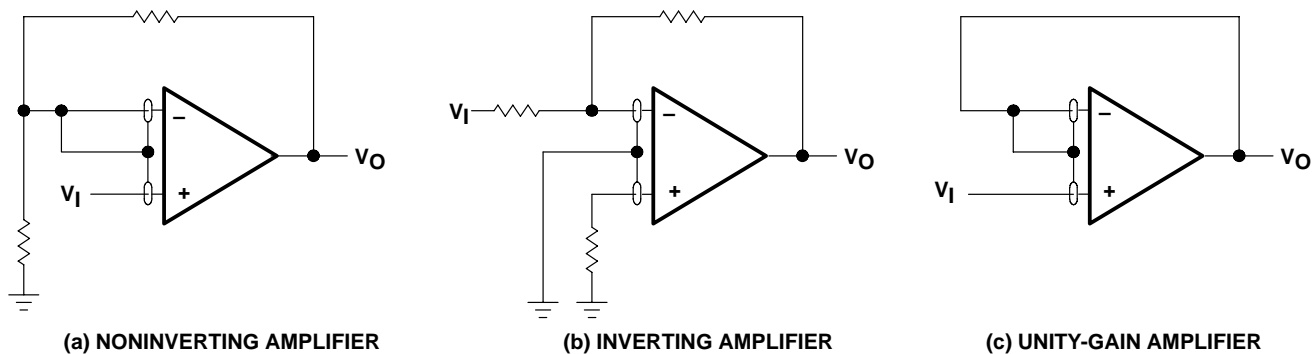


Figure 41. Guard-Ring Schemes



## APPLICATION INFORMATION

### feedback

Operational amplifier circuits almost always employ feedback, and since feedback is the first prerequisite for oscillation, a little caution is appropriate. Most oscillation problems result from driving capacitive loads and ignoring stray input capacitance. A small-value capacitor connected in parallel with the feedback resistor is an effective remedy (see Figure 42). The value of this capacitor is optimized empirically.

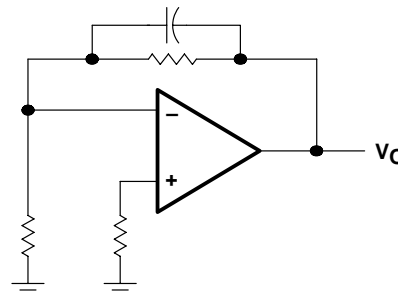


Figure 42. Compensation for Input Capacitance

### electrostatic discharge protection

The TLC27L1 incorporates an internal ESD protection circuit that prevents functional failures at voltages up to 2000 V as tested under MIL-STD-883C, Method 3015.2. Care should be exercised, however, when handling these devices as exposure to ESD may result in the degradation of the device parametric performance. The protection circuit also causes the input bias currents to be temperature dependent and have the characteristics of a reverse-biased diode.

### latch-up

Because CMOS devices are susceptible to latch-up due to their inherent parasitic thyristors, the TLC27L1 inputs and output were designed to withstand –100-mA surge currents without sustaining latch-up; however, techniques should be used to reduce the chance of latch-up whenever possible. Internal protection diodes should not by design be forward biased. Applied input and output voltage should not exceed the supply voltage by more than 300 mV. Care should be exercised when using capacitive coupling on pulse generators. Supply transients should be shunted by the use of decoupling capacitors (0.1  $\mu$ F typical) located across the supply rails as close to the device as possible.

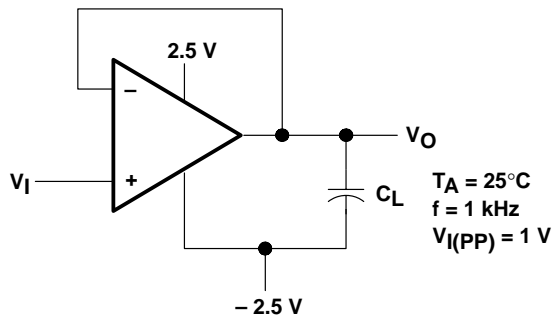
The current path established when latch-up occurs is usually between the positive supply rail and ground and can be triggered by surges on the supply lines and/or voltages on either the output or inputs that exceed the supply voltage. Once latch-up occurs, the current flow is limited only by the impedance of the power supply and the forward resistance of the parasitic thyristor and usually results in the destruction of the device. The chance of latch-up occurring increases with increasing temperature and supply voltages.

**APPLICATION INFORMATION**

**output characteristics**

The output stage of the TLC27L1 is designed to sink and source relatively high amounts of current (see Typical Characteristics). If the output is subjected to a short-circuit condition, this high current capability can cause device damage under certain conditions. Output current capability increases with supply voltage (see Figure 43).

All operating characteristics of the TLC27L1 were measured using a 20-pF load. The devices drive higher capacitive loads; however, as output load capacitance increases, the resulting response pole occurs at lower frequencies, thereby causing ringing, peaking, or even oscillation (see Figure 44). In many cases, adding some compensation in the form of a series resistor in the feedback loop alleviates the problem.



**Figure 43. Test Circuit for Output Characteristics**



**Figure 44. Effect of Capacitive Loads in Low-Bias Mode**

Although the TLC27L1 possesses excellent high-level output voltage and current capability, methods are available for boosting this capability, if needed. The simplest method involves the use of a pullup resistor ( $R_P$ ) connected from the output to the positive supply rail (see Figure 45). There are two disadvantages to the use of this circuit. First, the NMOS pulldown transistor, N4 (see equivalent schematic) must sink a comparatively large amount of current. In this circuit, N4 behaves like a linear resistor with an on-resistance between approximately 60  $\Omega$  and 180  $\Omega$ , depending on how hard the operational amplifier input is driven. With very low values of  $R_P$ , a voltage offset from 0 V at the output occurs. Secondly, pullup resistor  $R_P$  acts as a drain load to N4 and the gain of the operational amplifier is reduced at output voltage levels where N5 is not supplying the output current.

APPLICATION INFORMATION

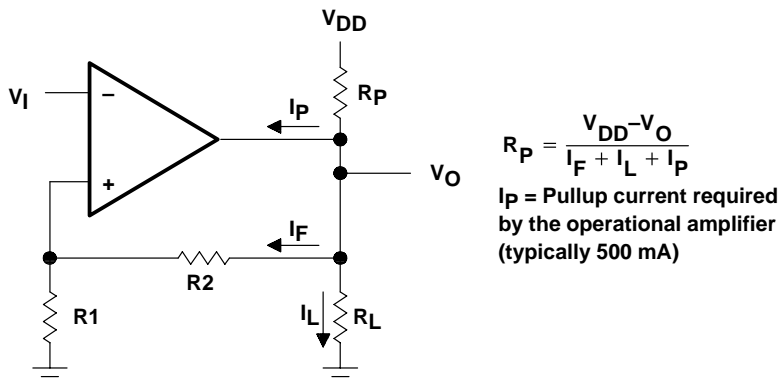
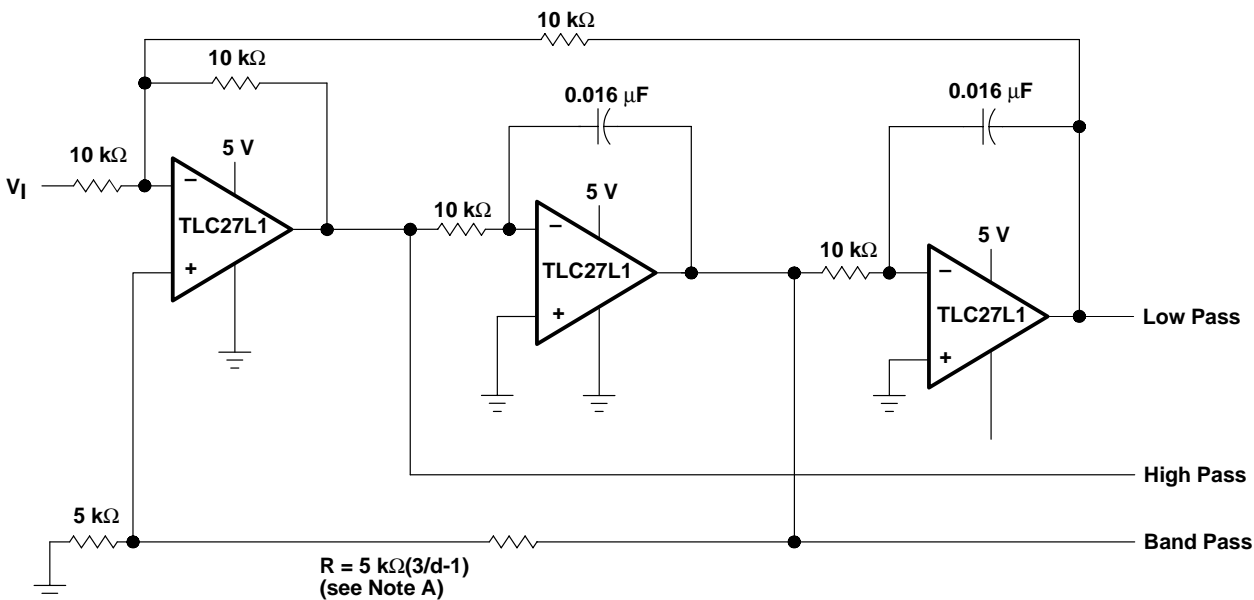


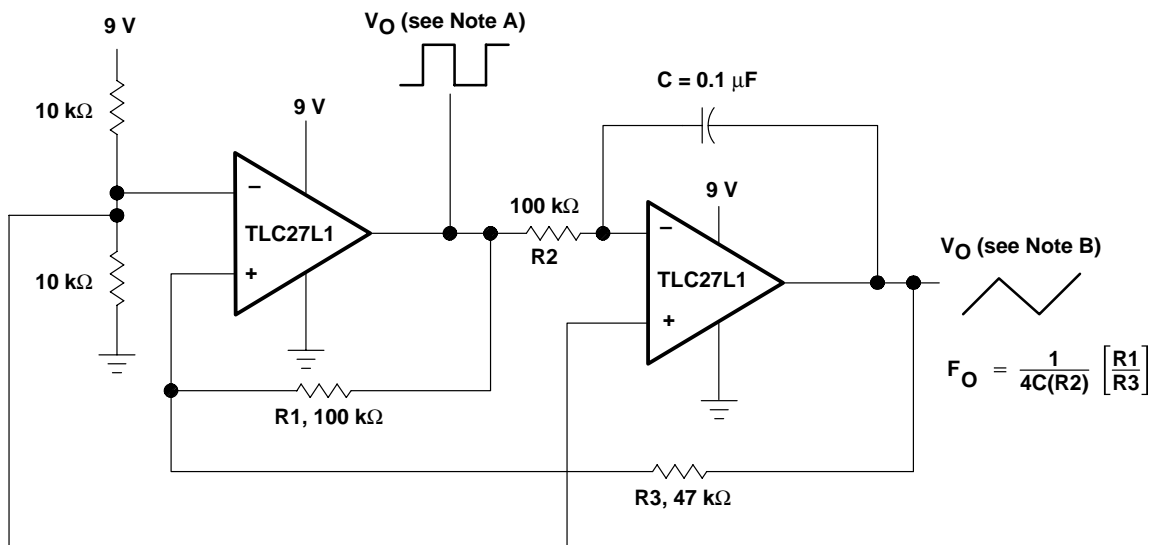
Figure 45. Resistive Pullup to Increase VOH



NOTE A: d = damping factor, I/O

Figure 46. State-Variable Filter

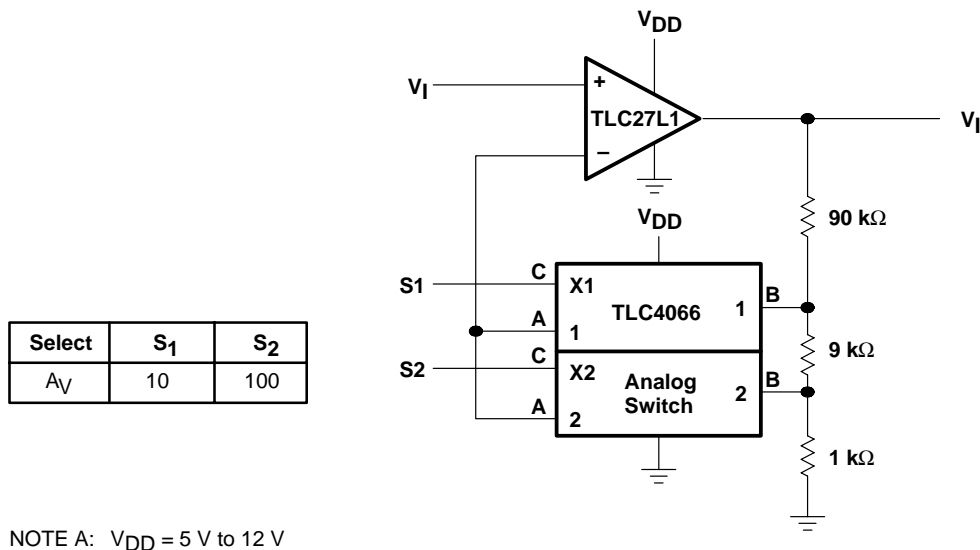
APPLICATION INFORMATION



$$F_O = \frac{1}{4C(R2)} \left[ \frac{R1}{R3} \right]$$

NOTES: A.  $V_{O(PP)} = 8\text{ V}$   
 B.  $V_{O(PP)} = 4\text{ V}$

Figure 47. Single-Supply Function Generator



NOTE A:  $V_{DD} = 5\text{ V to }12\text{ V}$

Figure 48. Amplifier With Digital-Gain Selection

APPLICATION INFORMATION

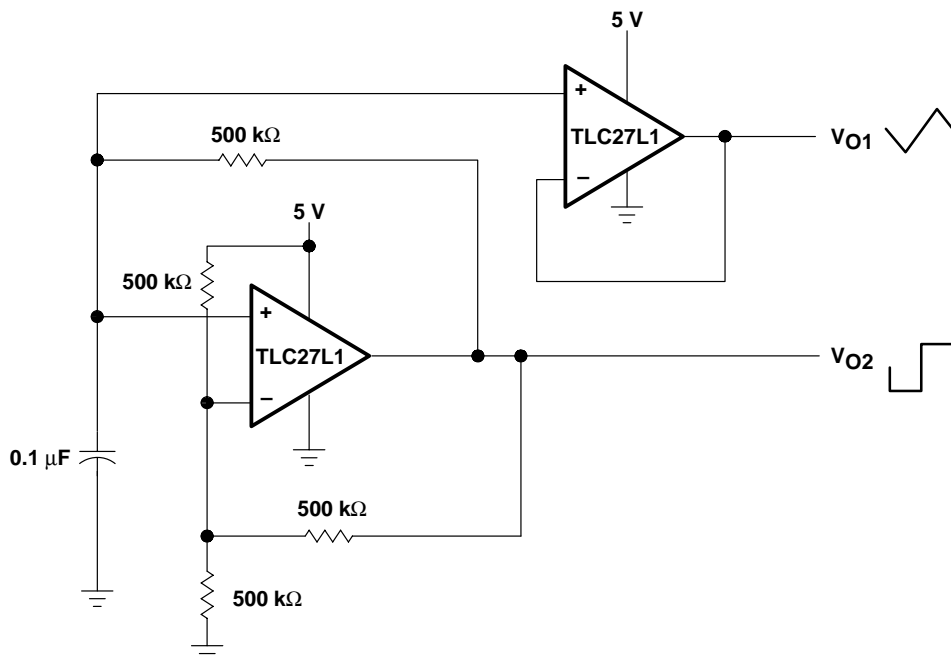
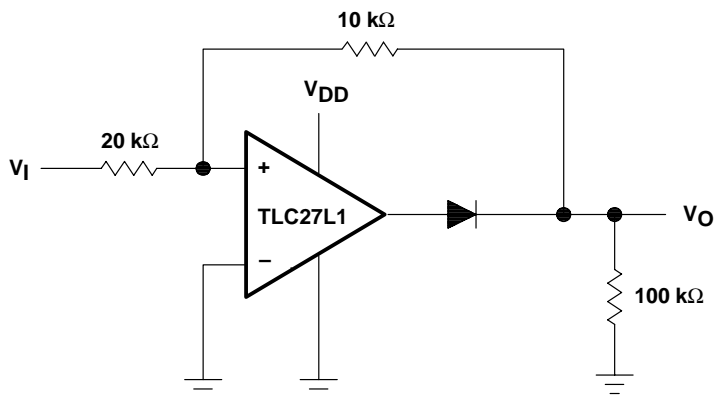


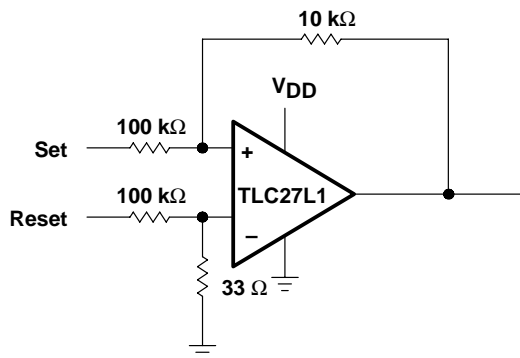
Figure 49. Multivibrator



NOTE A:  $V_{DD} = 5\text{ V to }16\text{ V}$

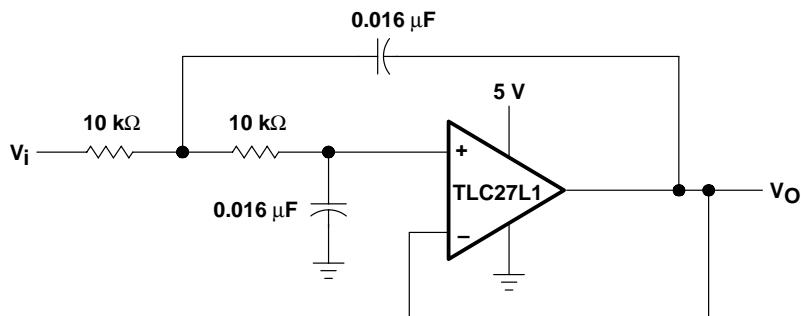
Figure 50. Full-Wave Rectifier

**APPLICATION INFORMATION**



NOTE A:  $V_{DD} = 5\text{ V to }16\text{ V}$

**Figure 51. Set/Reset Flip-Flop**



NOTE A: Normalized to  $F_C = 1\text{ kHz}$  and  $R_L = 10\text{ k}\Omega$

**Figure 52. Two-Pole Low-Pass Butterworth Filter**

TLC27L1, TLC27L1A, TLC27L1B  
 LinCMOS™ LOW-POWER  
 OPERATIONAL AMPLIFIERS

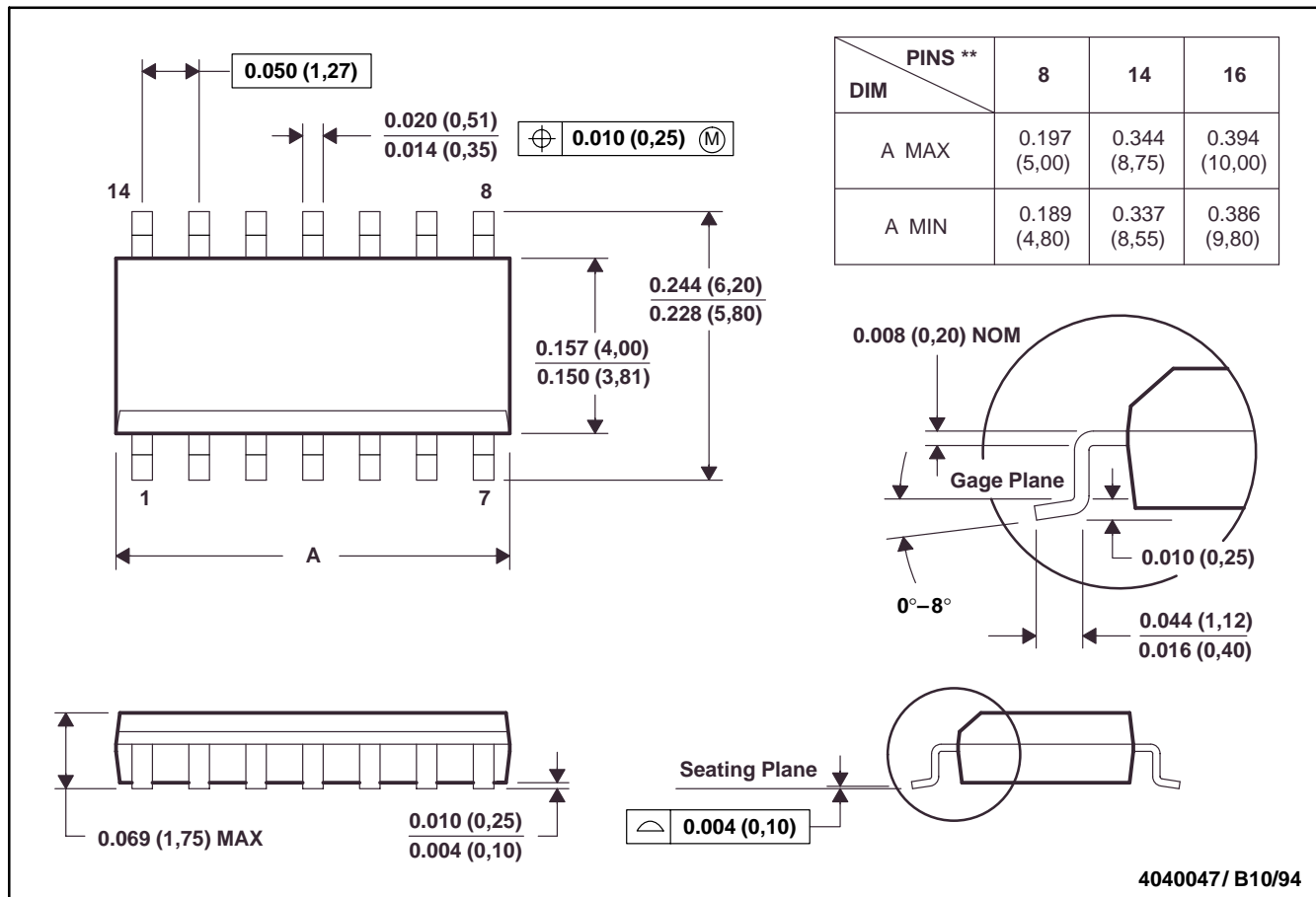
SLOS154A – DECEMBER 1995 – REVISED MARCH 2001

MECHANICAL INFORMATION

D (R-PDSO-G\*\*)

PLASTIC SMALL-OUTLINE PACKAGE

14 PIN SHOWN



- NOTES: A. All linear dimensions are in inches (millimeters).  
 B. This drawing is subject to change without notice.  
 C. Body dimensions do not include mold flash or protrusion, not to exceed 0.006 (0,15).  
 D. Four center pins are connected to die mount pad.  
 E. Falls within JEDEC MS-012

## IMPORTANT NOTICE

Texas Instruments and its subsidiaries (TI) reserve the right to make changes to their products or to discontinue any product or service without notice, and advise customers to obtain the latest version of relevant information to verify, before placing orders, that information being relied on is current and complete. All products are sold subject to the terms and conditions of sale supplied at the time of order acknowledgment, including those pertaining to warranty, patent infringement, and limitation of liability.

TI warrants performance of its products to the specifications applicable at the time of sale in accordance with TI's standard warranty. Testing and other quality control techniques are utilized to the extent TI deems necessary to support this warranty. Specific testing of all parameters of each device is not necessarily performed, except those mandated by government requirements.

Customers are responsible for their applications using TI components.

In order to minimize risks associated with the customer's applications, adequate design and operating safeguards must be provided by the customer to minimize inherent or procedural hazards.

TI assumes no liability for applications assistance or customer product design. TI does not warrant or represent that any license, either express or implied, is granted under any patent right, copyright, mask work right, or other intellectual property right of TI covering or relating to any combination, machine, or process in which such products or services might be or are used. TI's publication of information regarding any third party's products or services does not constitute TI's approval, license, warranty or endorsement thereof.

Reproduction of information in TI data books or data sheets is permissible only if reproduction is without alteration and is accompanied by all associated warranties, conditions, limitations and notices. Representation or reproduction of this information with alteration voids all warranties provided for an associated TI product or service, is an unfair and deceptive business practice, and TI is not responsible nor liable for any such use.

Resale of TI's products or services with statements different from or beyond the parameters stated by TI for that product or service voids all express and any implied warranties for the associated TI product or service, is an unfair and deceptive business practice, and TI is not responsible nor liable for any such use.

Also see: [Standard Terms and Conditions of Sale for Semiconductor Products](http://www.ti.com/sc/docs/stdterms.htm). [www.ti.com/sc/docs/stdterms.htm](http://www.ti.com/sc/docs/stdterms.htm)

### Mailing Address:

Texas Instruments  
Post Office Box 655303  
Dallas, Texas 75265