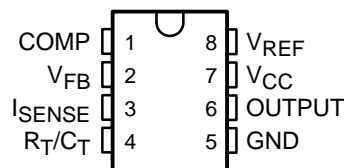


UC2842AQ, UC2843AQ, UC2844AQ, UC2845AQ CURRENT-MODE PWM CONTROLLER

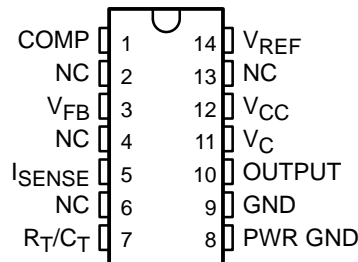
SGLS164 – APRIL 2003

- Extended Temperature Performance of -40°C to 125°C
- Optimized for Off-line and DC to DC Converters
- Low Start Up Current ($<0.5\text{ mA}$)
- Trimmed Oscillator Discharge Current
- Automatic Feed Forward Compensation
- Pulse-by-Pulse Current Limiting
- Enhanced Load Response Characteristics
- Under-Voltage Lockout With Hysteresis
- Double Pulse Suppression
- High Current Totem Pole Output
- Internally Trimmed Bandgap Reference
- 500 kHz Operation
- Low R_O Error Amp

D 8-PIN PACKAGE
(TOP VIEW)



D 14-PIN PACKAGE
(TOP VIEW)



description

The UC2842A/3A/4A/5A family of control ICs is a pin for pin compatible improved version of the UC2842/3/4/5 family. Providing the necessary features to control current mode switched mode power supplies, this family has the following improved features. Start up current is guaranteed to be less than 0.5 mA. Oscillator discharge is trimmed to 8.3 mA. During under voltage lockout, the output stage can sink at least 10 mA at less than 1.2 V for V_{CC} over 5 V.

The difference between members of this family are shown in the table below.

PART NUMBER	UVLO ON	UVLO OFF	MAXIMUM DUTY CYCLE
UC2842A	16 V	10 V	<100%
UC2843A	8.5 V	7.9 V	<100%
UC2844A	16 V	10 V	<50%
UC2845A	8.5 V	7.9 V	<50%



Please be aware that an important notice concerning availability, standard warranty, and use in critical applications of Texas Instruments semiconductor products and disclaimers thereto appears at the end of this data sheet.

PRODUCTION DATA information is current as of publication date. Products conform to specifications per the terms of Texas Instruments standard warranty. Production processing does not necessarily include testing of all parameters.

 **TEXAS
INSTRUMENTS**

POST OFFICE BOX 655303 • DALLAS, TEXAS 75265

Copyright © 2003, Texas Instruments Incorporated

UC2842AQ, UC2843AQ, UC2844AQ, UC2845AQ CURRENT-MODE PWM CONTROLLER

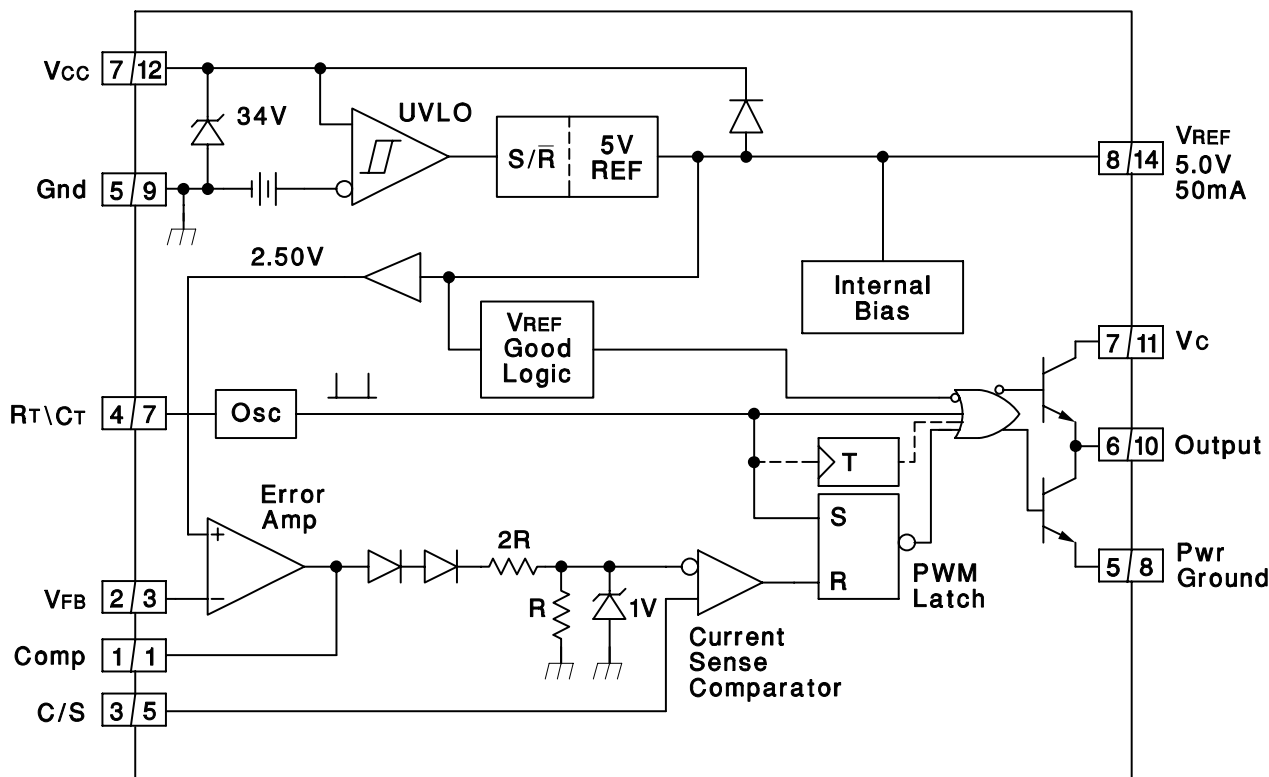
SGLS164 – APRIL 2003

ORDERING INFORMATION†

T _A	PACKAGE‡		ORDERABLE PART NUMBER	TOP-SIDE MARKING
-40°C to 125°C	SOIC-8 – D8	Tape and reel	UC2842AQD8R	2842AQ
	SOIC-8 – D8	Tube	UC2842AQD8	2842AQ
	SOIC-14 – D	Tape and reel	UC2842AQDR	2842AQ
	SOIC-14 – D	Tube	UC2842AQD	2842AQ
	SOIC-8 – D8	Tape and reel	UC2843AQD8R	2843AQ
	SOIC-8 – D8	Tube	UC2843AQD8	2843AQ
	SOIC-14 – D	Tape and reel	UC2843AQDR	2843AQ
	SOIC-14 – D	Tube	UC2843AQD	2843AQ
	SOIC-8 – D8	Tape and reel	UC2844AQD8R	2844AQ
	SOIC-8 – D8	Tube	UC2844AQD8	2844AQ
	SOIC-14 – D	Tape and reel	UC2844AQDR	2844AQ
	SOIC-14 – D	Tube	UC2844AQD	2844AQ
	SOIC-8 – D8	Tape and reel	UC2845AQD8R	2845AQ
	SOIC-8 – D8	Tube	UC2845AQD8	2845AQ
	SOIC-14 – D	Tape and reel	UC2845AQDR	2845AQ
	SOIC-14 – D	Tube	UC2845AQD	2845AQ

† Package drawings, standard packing quantities, thermal data, symbolization, and PCB design guidelines are available at www.ti.com/sc/package.

block diagram



- NOTES: 1. A = DIL-8 Pin Number. B = SO-14 Pin Number.
2. Toggle flip flop used only in 2844A and 2845A.

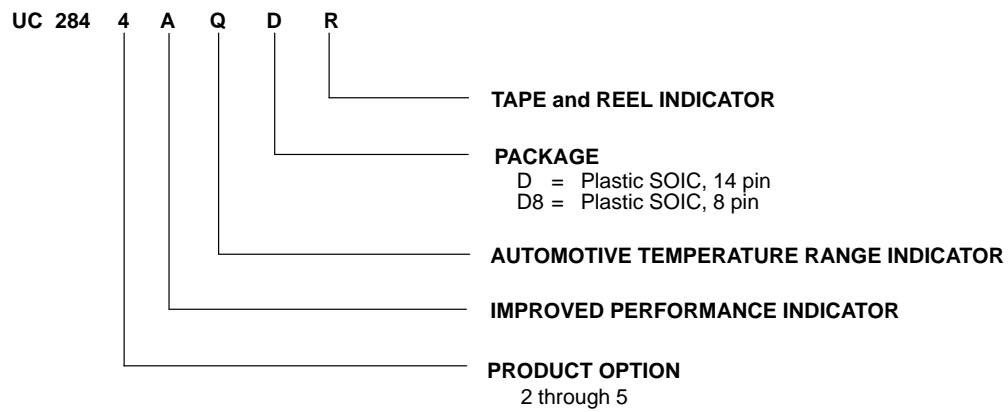


POST OFFICE BOX 655303 • DALLAS, TEXAS 75265

UC2842AQ, UC2843AQ, UC2844AQ, UC2845AQ CURRENT-MODE PWM CONTROLLER

SGLS164 – APRIL 2003

Ordering Information



UC2842AQ, UC2843AQ, UC2844AQ, UC2845AQ CURRENT-MODE PWM CONTROLLER

SGLS164 – APRIL 2003

absolute maximum ratings over operating free-air temperature range (unless otherwise noted)†‡

V_{CC} voltage (low impedance source)	30 V
V_{CC} voltage (I_{CC} mA)	self limiting
Output current, I_O	± 1 A
Output energy (capacitive load)	5 μ J
Analog Inputs (pins 3, 5)	-0.3 V to 6.3 V
Error Amp Output Sink current	10 mA
Power Dissipation at $T_A < +25^\circ\text{C}$ (D package)	1 W
Package thermal impedance, θ_{JA} (see Note 1): D (8-pin) package	97°C/W
Storage temperature range, T_{stg}	-65°C to 150°C
Lead temperature soldering 1,6 mm (1/16 inch) from case for 10 seconds	260°C

† Stresses beyond those listed under “absolute maximum ratings” may cause permanent damage to the device. These are stress ratings only, and functional operation of the device at these or any other conditions beyond those indicated under “recommended operating conditions” is not implied. Exposure to absolute-maximum-rated conditions for extended periods may affect device reliability.

‡ Unless otherwise indicated, voltages are reference to ground and currents are positive into and negative out of the specified terminals.

NOTE 1: Long term high-temperature storage and/or extended use at maximum recommended operating conditions may result in a reduction of overall device life. See http://www.ti.com/ep_quality for additional information on enhanced plastic packaging.

electrical characteristics, $T_A = -40^\circ\text{C}$ to 125°C , $V_{CC} = 15\text{ V}$ (see Note 1), $R_T = 10\text{ k}\Omega$, $C_T = 3.3\text{ nF}$, and $T_A = T_J$ (unless otherwise stated)

PARAMETER	TEST CONDITIONS		MIN	TYP	MAX	UNITS	
Reference Section							
Output voltage	$T_J = 25^\circ\text{C}$, $I_O = 1\text{ mA}$		4.95	5.0	5.05	V	
Line regulation voltage	$V_{IN} = 12\text{ V}$ to 25 V			6	20	mV	
Load regulation voltage	$I_O = 1\text{ mA}$ to 20 mA			6	25	mV	
Temperature stability	See Notes 2 and 3			0.2	0.4	mV/ $^\circ\text{C}$	
Total output variation voltage	Line, Load, Temp.		4.9		5.1	V	
Output noise voltage	$f = 10\text{ Hz}$ to 10 kHz , See Note 2	$T_J = 25^\circ\text{C}$		50		μV	
Long term stability	1000 hours,	See Note 2		5	25	mV	
Output short-circuit current			-30	-100	-180	mA	
Oscillator Section							
Initial accuracy	See Note 4	$T_J = 25^\circ\text{C}$	47	52	57	kHz	
Voltage stability	$V_{CC} = 12\text{ V}$ to 25 V			0.2	1	%	
Temperature stability	$T_A = \text{MIN}$ to MAX , See Note 2			5		%	
Amplitude peak-to-peak	V pin 7, See Note 2			1.7		V	
Discharge current	V pin 7 = 2 V ,	See Note 5	$T_J = 25^\circ\text{C}$	7.8	8.3	8.8	mA
			$T_J = \text{Full range}$	7.5		8.8	



UC2842AQ, UC2843AQ, UC2844AQ, UC2845AQ CURRENT-MODE PWM CONTROLLER

SGLS164 – APRIL 2003

electrical characteristics, $T_A = -40^\circ\text{C}$ to 125°C , $V_{CC} = 15\text{ V}$ (see Note 1), $R_T = 10\text{ k}\Omega$, $C_T = 3.3\text{ nF}$, and $T_A = T_J$ (unless otherwise stated)

PARAMETER	TEST CONDITIONS		MIN	TYP	MAX	UNITS	
Error Amplifier Section							
Input voltage	COMP = 2.5 V		2.45	2.5	2.55	V	
Input bias current				-0.3	-1	μA	
Open loop voltage gain (A_{VOL})	$V_O = 2\text{ V}$ to 4 V		65	90		dB	
Unity gain bandwidth	See Note 2	$T_J = 25^\circ\text{C}$	0.7	1		MHz	
PSRR	$V_{CC} = 12\text{ V}$ to 25 V		60	70		dB	
Output sink current	FB = 2.7 V,	COMP = 1.1 V	2	6		mA	
Output source current	FB = 2.3 V,	COMP = 5 V	-0.5	-0.8		mA	
V_{OUT} high	FB = 2.3 V,	$R_L = 15\text{ k}\Omega$ to GND	5	6		V	
V_{OUT} low	FB = 2.7 V,	$R_L = 15\text{ k}\Omega$ to V_{REF}		0.7	1.1	V	
Current Sense Section							
Gain	See Notes 6 and 7		2.85	3	3.15	V/V	
Maximum input signal	COMP = 5 V,	See Note 6	0.9	1	1.1	V	
PSRR	$V_{CC} = 12\text{ V}$ to 25 V , See Note 6			70		dB	
Input bias current				-2	-10	μA	
Delay to output	$I_{SENSE} = 0\text{ V}$ to 2 V ,	See Note 2		150	300	ns	
Output Section (OUT)							
Low-level output voltage	$I_{OUT} = 20\text{ mA}$			0.1	0.4	V	
	$I_{OUT} = 200\text{ mA}$			15	2.2		
High-level output voltage	$I_{OUT} = -20\text{ mA}$		13	13.5		V	
	$I_{OUT} = -200\text{ mA}$		12	13.5			
Rise time	$C_L = 1\text{ nF}$,	See Note 2	$T_J = 25^\circ\text{C}$	50	150	ns	
Fall time	$C_L = 1\text{ nF}$,	See Note 2	$T_J = 25^\circ\text{C}$	50	150	ns	
UVLO saturation	$V_{CC} = 5\text{ V}$,	$I_{OUT} = 10\text{ mA}$		0.7	1.2	V	
Undervoltage Lockout Section							
Start threshold			UC2842A, UC2844A	15	16	17	V
			UC2843A, UC2845A	7.8	8.4	9	
Minimum operation voltage after turn on			UC2842A, UC2844A	9	10	11	V
			UC2843A, UC2845A	7	7.6	8.2	



UC2842AQ, UC2843AQ, UC2844AQ, UC2845AQ CURRENT-MODE PWM CONTROLLER

SGLS164 – APRIL 2003

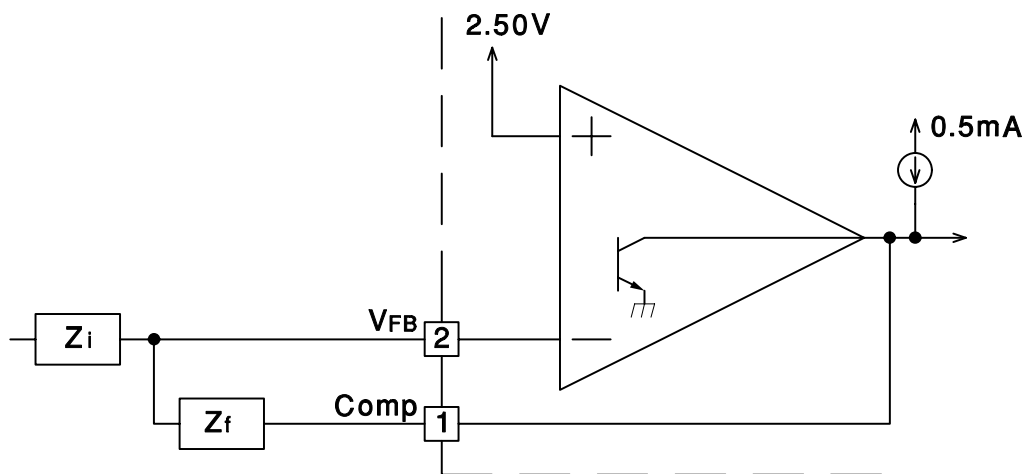
electrical characteristics, $T_A = -40^\circ\text{C}$ to 125°C , $V_{CC} = 15\text{ V}$ (see Note 1), $R_T = 10\text{ k}\Omega$, $C_T = 3.3\text{ nF}$, and $T_A = T_J$ (unless otherwise stated)

PARAMETER	TEST CONDITIONS	MIN	TYP	MAX	UNITS
PWM Section					
Maximum duty cycle	UC2842A, UC2843A	94	96	100	%
	UC2844A, UC2845A	47	48	50	
Minimum duty cycle				0	%
Total Standby Current					
Start-up current			0.3	0.5	mA
Operating supply current	FB = 0 V, SENSE = 0 V		11	17	mA
V_{CC} internal zener voltage	$I_{CC} = 25\text{ mA}$	30	34		V

- NOTES:
- Adjust V_{CC} above the start threshold before setting at 15 V.
 - Not production tested.
 - Temperature stability, sometimes referred to as average temperature coefficient, is described by the equation:

$$\text{Temp Stability} = \frac{V_{REF}(\text{max}) - V_{REF}(\text{min})}{T_J(\text{max}) - T_J(\text{min})}$$
 $V_{REF}(\text{max})$ and $V_{REF}(\text{min})$ are the maximum and minimum reference voltage measured over the appropriate temperature range. Note that the extremes in voltage do not necessarily occur at the extremes in temperature.
 - Output frequency equals oscillator frequency for the UC2842A and UC2843A. Output frequency is one half oscillator frequency for the UC2844A and UC2845A.
 - This parameter is measured with $R_T = 10\text{ k}\Omega$ to V_{REF} . This contributes approximately $300\text{ }\mu\text{A}$ of current to the measurement. The total current flowing into the R_T/C pin will be approximately $300\text{ }\mu\text{A}$ higher than the measured value.
 - Parameter measured at trip point of latch with V_{FB} at 0 V.
 - Gain is defined by: $A = \frac{\Delta V_{COMP}}{\Delta V_{SENSE}}$; $0 \leq V_{SENSE} \leq 0.8\text{ V}$.

PARAMETER MEASUREMENT INFORMATION



Error Amp can source and sink up to 0.5 mA, and sink up to 2 mA.

Figure 1. Error Amp Configuration

PARAMETER MEASUREMENT INFORMATION

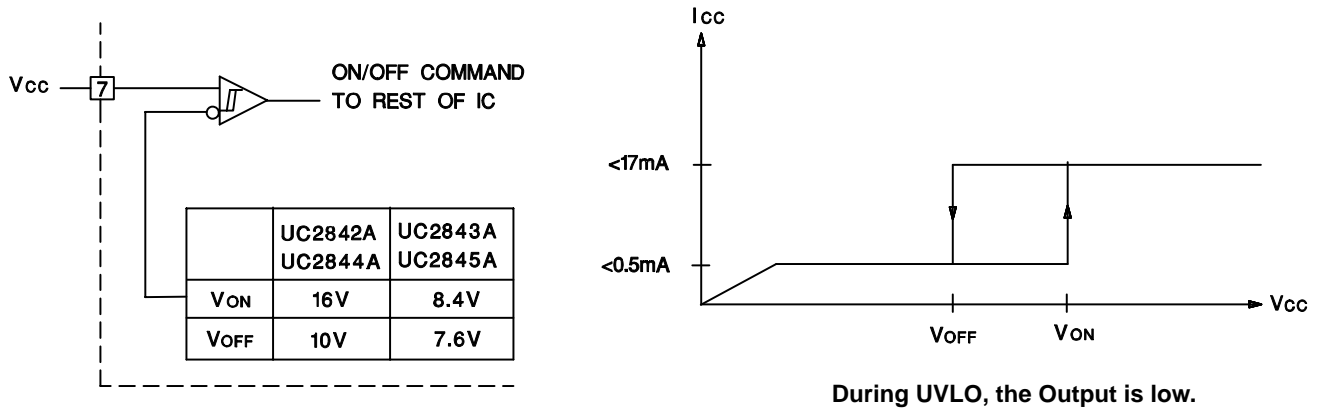
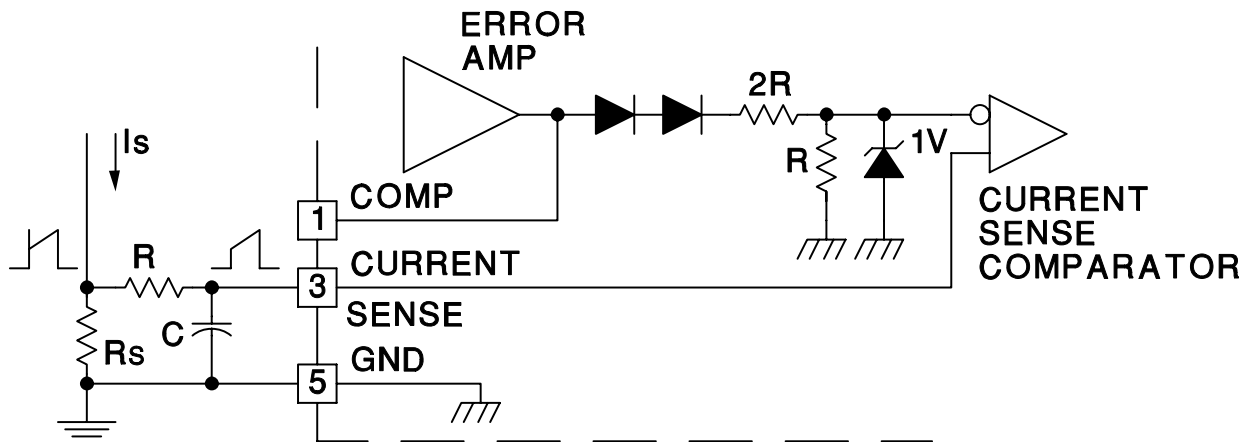


Figure 2. Under Voltage Lockout



Peak Current (I_s) is Determined By The Formula:

$$I_{smax} = \frac{1.0V}{R_S}$$

A small RC filter may be required to suppress switch transients.

Figure 3. Current Sense Circuit

UC2842AQ, UC2843AQ, UC2844AQ, UC2845AQ CURRENT-MODE PWM CONTROLLER

SGLS164 – APRIL 2003

PARAMETER MEASUREMENT INFORMATION

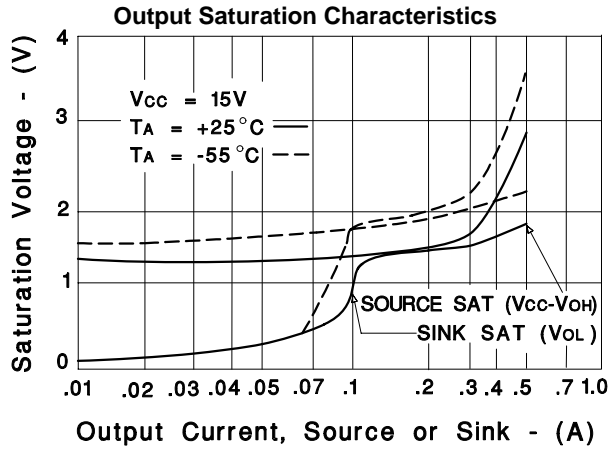


Figure 4

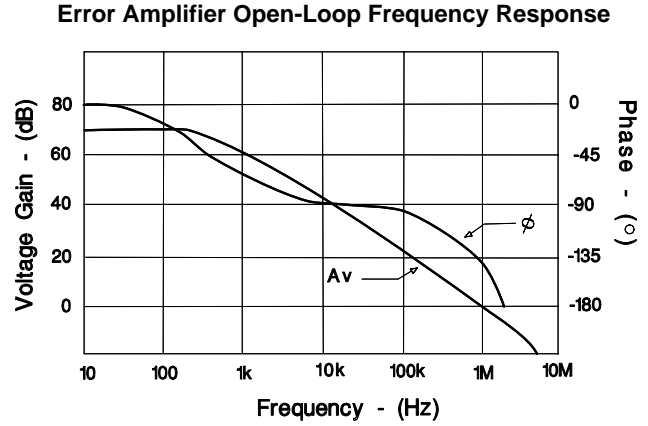


Figure 5

APPLICATION INFORMATION

AP

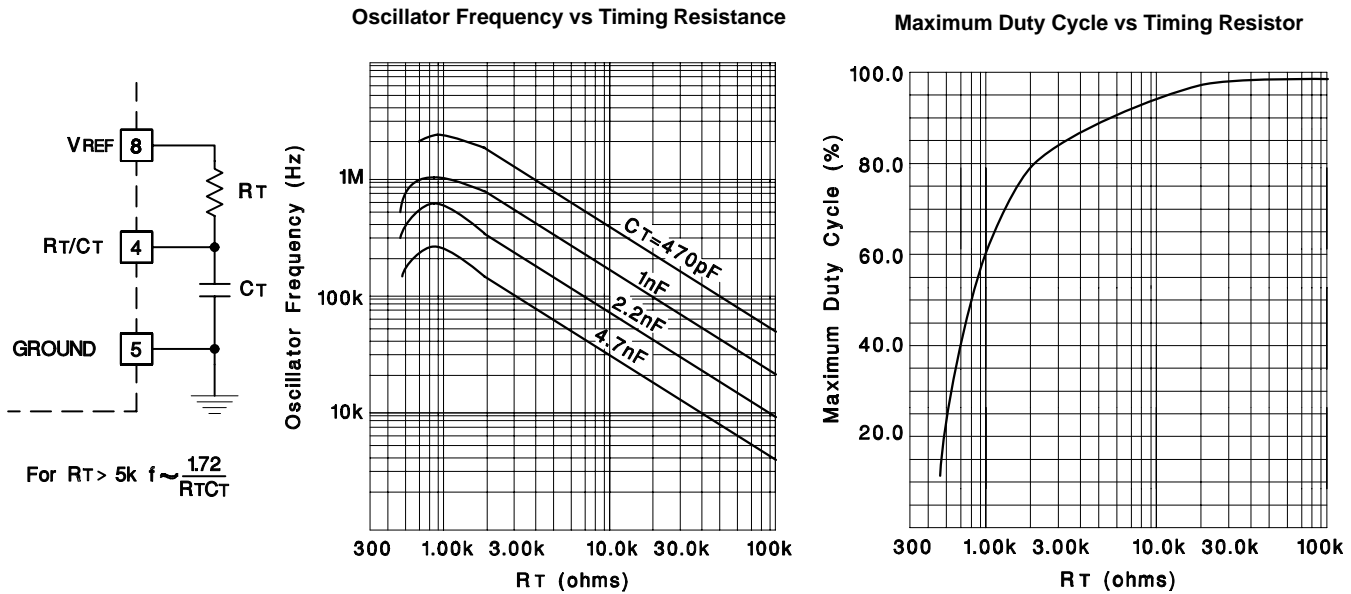
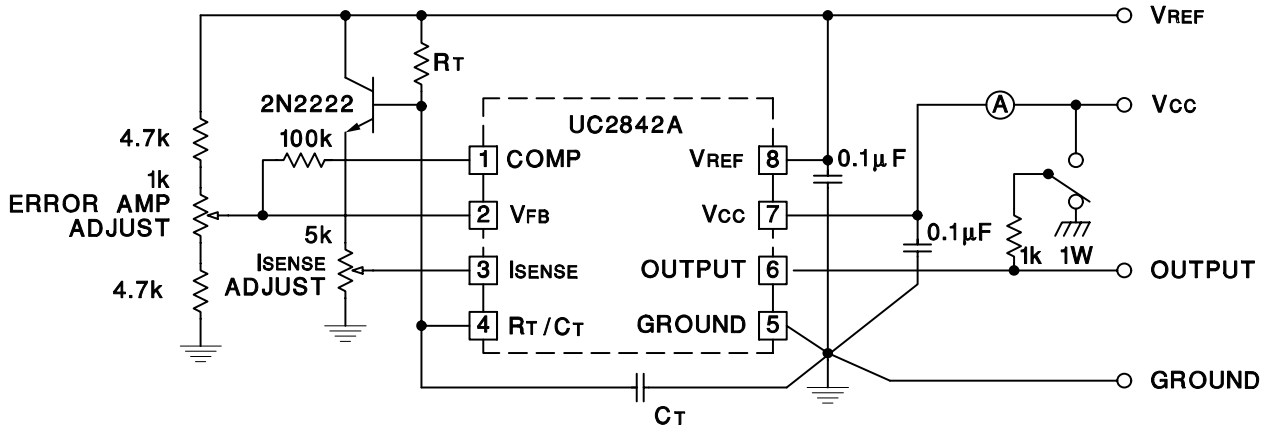


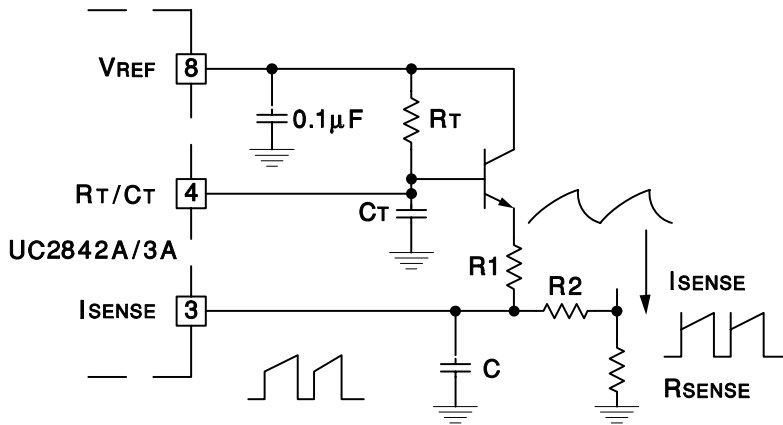
Figure 6. Oscillator

APPLICATION INFORMATION



High peak currents associated with capacitive loads necessitate careful grounding techniques. Timing and bypass capacitors should be connected close to pin 5 in a single point ground. The transistor and 5k potentiometer are used to sample the oscillator waveform and apply an adjustable ramp to pin 3.

Figure 7. Open-Loop Laboratory Text Fixture



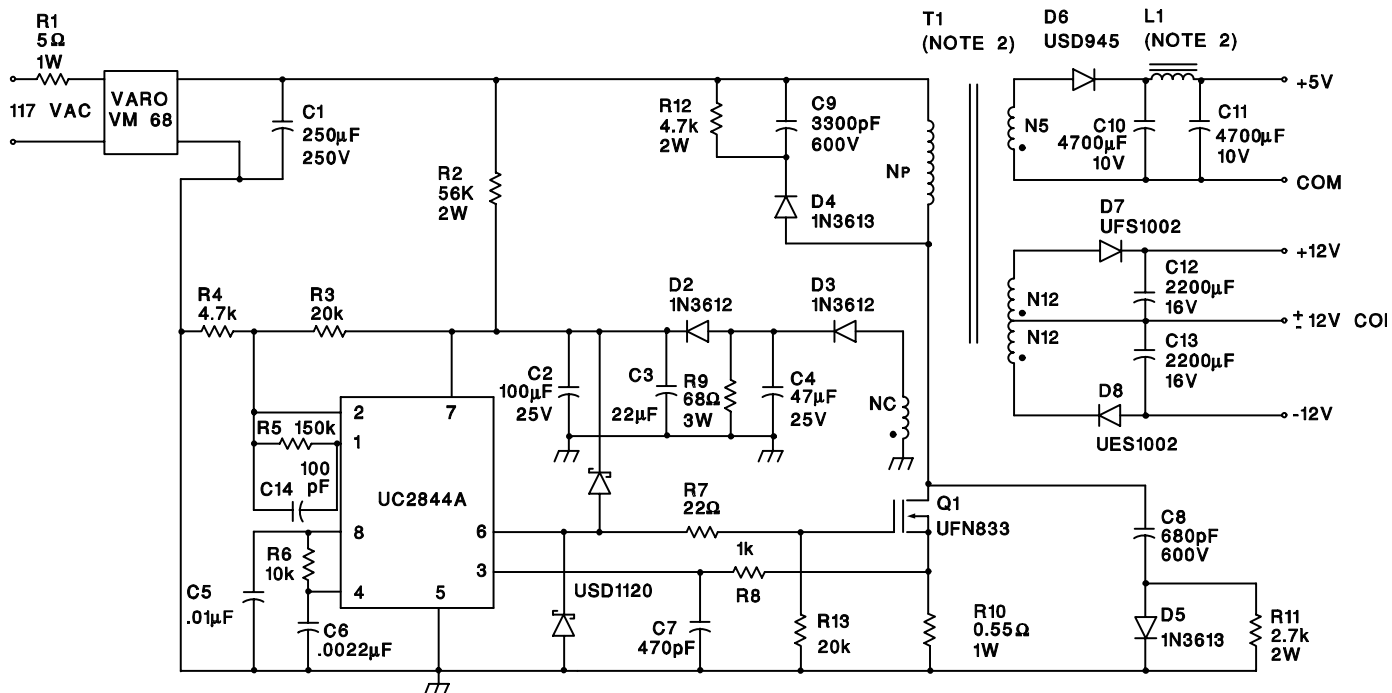
A fraction of the oscillator ramp can be resistively summed with the current sense signal to provide slope compensation for converters requiring duty cycles over 50%. Note that capacitor, C, forms a filter with R2 to suppress the leading edge switch spikes.

Figure 8. Slope Compression

UC2842AQ, UC2843AQ, UC2844AQ, UC2845AQ CURRENT-MODE PWM CONTROLLER

SGLS164 – APRIL 2003

APPLICATION INFORMATION



Power Supply Specifications

1. Input Voltage 95VAC to 130VAC (50Hz/60Hz)
2. Line Isolation 3750V
3. Switching Frequency 40 kHz
4. Efficiency, Full Load 70%
5. Output Voltage:
 - A. +5V, $\pm 5\%$; 1A to 4A Load
 - B. +12V, $\pm 3\%$; 0.1A to 0.3A Load Ripple voltage: 100 mV P-P Max
 - C. -12V, $\pm 3\%$; 0.1A to 0.3A Load Ripple voltage: 100 mV P-P Max

Figure 9. Off-Line Flyback Regulator

PACKAGING INFORMATION

Orderable Device	Status ⁽¹⁾	Package Type	Package Drawing	Pins	Package Qty	Eco Plan ⁽²⁾	Lead/Ball Finish	MSL Peak Temp ⁽³⁾
UC2842AQD	ACTIVE	SOIC	D	14	50	None	Call TI	Level-1-220C-UNLIM
UC2842AQD8	ACTIVE	SOIC	D	8	75	None	Call TI	Level-1-220C-UNLIM
UC2842AQD8R	ACTIVE	SOIC	D	8	2500	None	Call TI	Level-1-220C-UNLIM
UC2842AQDR	ACTIVE	SOIC	D	14	2500	None	Call TI	Level-1-220C-UNLIM
UC2843AQD	ACTIVE	SOIC	D	14	50	None	Call TI	Level-1-220C-UNLIM
UC2843AQD8	ACTIVE	SOIC	D	8	75	None	Call TI	Level-1-220C-UNLIM
UC2843AQD8R	ACTIVE	SOIC	D	8	2500	None	Call TI	Level-1-220C-UNLIM
UC2843AQDR	ACTIVE	SOIC	D	14	2500	None	Call TI	Level-1-220C-UNLIM
UC2845AQD	ACTIVE	SOIC	D	14	50	None	Call TI	Level-1-220C-UNLIM
UC2845AQD8	ACTIVE	SOIC	D	8	75	None	Call TI	Level-1-220C-UNLIM
UC2845AQD8R	ACTIVE	SOIC	D	8	2500	None	Call TI	Level-1-220C-UNLIM
UC2845AQDR	ACTIVE	SOIC	D	14	2500	None	Call TI	Level-1-220C-UNLIM

⁽¹⁾ The marketing status values are defined as follows:

ACTIVE: Product device recommended for new designs.

LIFEBUY: TI has announced that the device will be discontinued, and a lifetime-buy period is in effect.

NRND: Not recommended for new designs. Device is in production to support existing customers, but TI does not recommend using this part in a new design.

PREVIEW: Device has been announced but is not in production. Samples may or may not be available.

OBSOLETE: TI has discontinued the production of the device.

⁽²⁾ Eco Plan - May not be currently available - please check <http://www.ti.com/productcontent> for the latest availability information and additional product content details.

None: Not yet available Lead (Pb-Free).

Pb-Free (RoHS): TI's terms "Lead-Free" or "Pb-Free" mean semiconductor products that are compatible with the current RoHS requirements for all 6 substances, including the requirement that lead not exceed 0.1% by weight in homogeneous materials. Where designed to be soldered at high temperatures, TI Pb-Free products are suitable for use in specified lead-free processes.

Green (RoHS & no Sb/Br): TI defines "Green" to mean "Pb-Free" and in addition, uses package materials that do not contain halogens, including bromine (Br) or antimony (Sb) above 0.1% of total product weight.

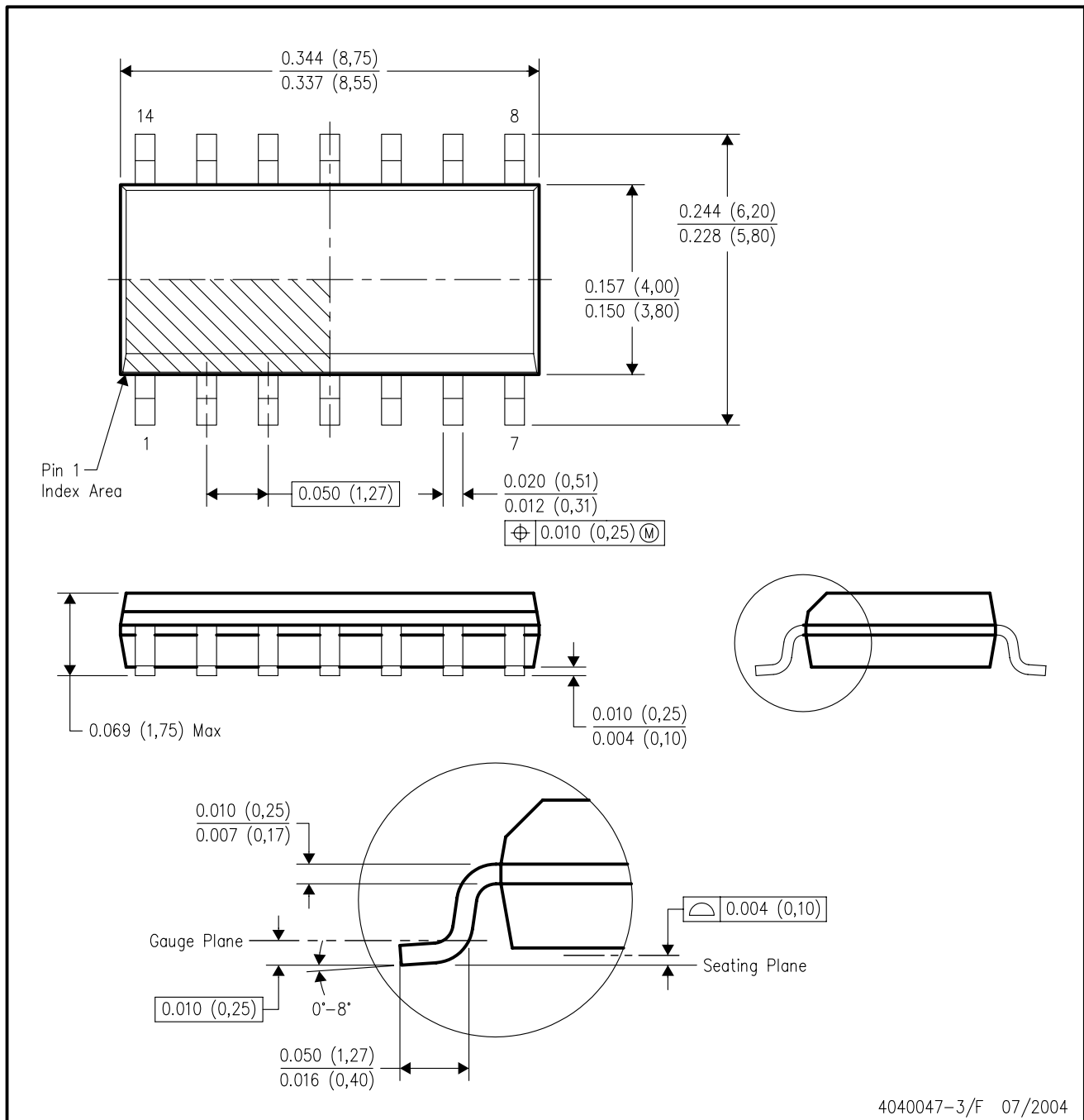
⁽³⁾ MSL, Peak Temp. -- The Moisture Sensitivity Level rating according to the JEDEC industry standard classifications, and peak solder temperature.

Important Information and Disclaimer: The information provided on this page represents TI's knowledge and belief as of the date that it is provided. TI bases its knowledge and belief on information provided by third parties, and makes no representation or warranty as to the accuracy of such information. Efforts are underway to better integrate information from third parties. TI has taken and continues to take reasonable steps to provide representative and accurate information but may not have conducted destructive testing or chemical analysis on incoming materials and chemicals. TI and TI suppliers consider certain information to be proprietary, and thus CAS numbers and other limited information may not be available for release.

In no event shall TI's liability arising out of such information exceed the total purchase price of the TI part(s) at issue in this document sold by TI to Customer on an annual basis.

D (R-PDSO-G14)

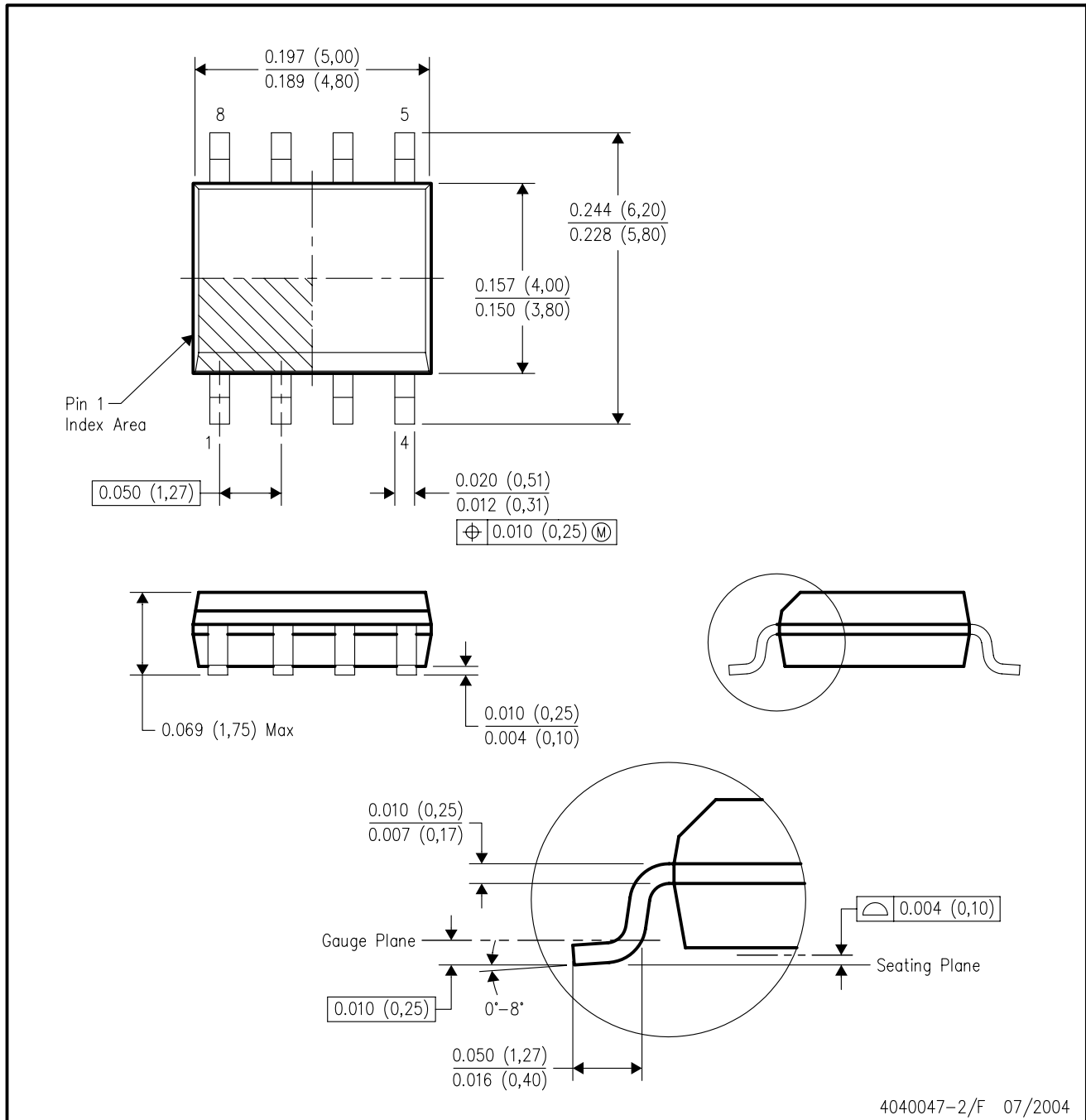
PLASTIC SMALL-OUTLINE PACKAGE



- NOTES:
- A. All linear dimensions are in inches (millimeters).
 - B. This drawing is subject to change without notice.
 - C. Body dimensions do not include mold flash or protrusion not to exceed 0.006 (0,15).
 - D. Falls within JEDEC MS-012 variation AB.

D (R-PDSO-G8)

PLASTIC SMALL-OUTLINE PACKAGE



- NOTES:
- A. All linear dimensions are in inches (millimeters).
 - B. This drawing is subject to change without notice.
 - C. Body dimensions do not include mold flash or protrusion not to exceed 0.006 (0,15).
 - D. Falls within JEDEC MS-012 variation AA.

IMPORTANT NOTICE

Texas Instruments Incorporated and its subsidiaries (TI) reserve the right to make corrections, modifications, enhancements, improvements, and other changes to its products and services at any time and to discontinue any product or service without notice. Customers should obtain the latest relevant information before placing orders and should verify that such information is current and complete. All products are sold subject to TI's terms and conditions of sale supplied at the time of order acknowledgment.

TI warrants performance of its hardware products to the specifications applicable at the time of sale in accordance with TI's standard warranty. Testing and other quality control techniques are used to the extent TI deems necessary to support this warranty. Except where mandated by government requirements, testing of all parameters of each product is not necessarily performed.

TI assumes no liability for applications assistance or customer product design. Customers are responsible for their products and applications using TI components. To minimize the risks associated with customer products and applications, customers should provide adequate design and operating safeguards.

TI does not warrant or represent that any license, either express or implied, is granted under any TI patent right, copyright, mask work right, or other TI intellectual property right relating to any combination, machine, or process in which TI products or services are used. Information published by TI regarding third-party products or services does not constitute a license from TI to use such products or services or a warranty or endorsement thereof. Use of such information may require a license from a third party under the patents or other intellectual property of the third party, or a license from TI under the patents or other intellectual property of TI.

Reproduction of information in TI data books or data sheets is permissible only if reproduction is without alteration and is accompanied by all associated warranties, conditions, limitations, and notices. Reproduction of this information with alteration is an unfair and deceptive business practice. TI is not responsible or liable for such altered documentation.

Resale of TI products or services with statements different from or beyond the parameters stated by TI for that product or service voids all express and any implied warranties for the associated TI product or service and is an unfair and deceptive business practice. TI is not responsible or liable for any such statements.

Following are URLs where you can obtain information on other Texas Instruments products and application solutions:

Products		Applications	
Amplifiers	amplifier.ti.com	Audio	www.ti.com/audio
Data Converters	dataconverter.ti.com	Automotive	www.ti.com/automotive
DSP	dsp.ti.com	Broadband	www.ti.com/broadband
Interface	interface.ti.com	Digital Control	www.ti.com/digitalcontrol
Logic	logic.ti.com	Military	www.ti.com/military
Power Mgmt	power.ti.com	Optical Networking	www.ti.com/opticalnetwork
Microcontrollers	microcontroller.ti.com	Security	www.ti.com/security
		Telephony	www.ti.com/telephony
		Video & Imaging	www.ti.com/video
		Wireless	www.ti.com/wireless

Mailing Address: Texas Instruments
Post Office Box 655303 Dallas, Texas 75265