

Stepper Motor Drive Circuit

FEATURES

- Full-Step, Half-Step and Micro-Step Capability
- Bipolar Output Current up to 1A
- Wide Range of Motor Supply Voltage 10-46V
- Low Saturation Voltage with Integrated Bootstrap
- Built-In Fast Recovery Commutating Diodes
- Current Levels Selected in Steps or Varied Continuously
- Thermal Protection with Soft Intervention

DESCRIPTION

The UC3717A is an improved version of the UC3717, used to switch drive the current in one winding of a bipolar stepper motor. The UC3717A has been modified to supply higher winding current, more reliable thermal protection, and improved efficiency by providing integrated bootstrap circuitry to lower recirculation saturation voltages. The diagram shown below presents the building blocks of the UC3717A. Included are an LS-TTL compatible logic input, a current sensor, a monostable, a thermal shutdown network, and an H-bridge output stage. The output stage features built-in fast recovery commutating diodes and integrated bootstrap pull up. Two UC3717As and a few external components form a complete control and drive unit for LS-TTL or micro-processor controlled stepper motor systems.

The UC3717A is characterized for operation over the temperature range of 0°C to +70°C.

ABSOLUTE MAXIMUM RATINGS (Note 1)

Voltage

Logic Supply, Vcc	7V
Output Supply, Vm	50V

Input Voltage

Logic Inputs (Pins 7, 8, 9)	6V
Analog Input (Pin 10)	Vcc
Reference Input (Pin 11)	15V

Input Current

Logic Inputs (Pins 7, 8, 9)	-10mA
Analog Inputs (Pins 10, 11)	-10mA

Output Current (Pins 1, 15) $\pm 1.2A$

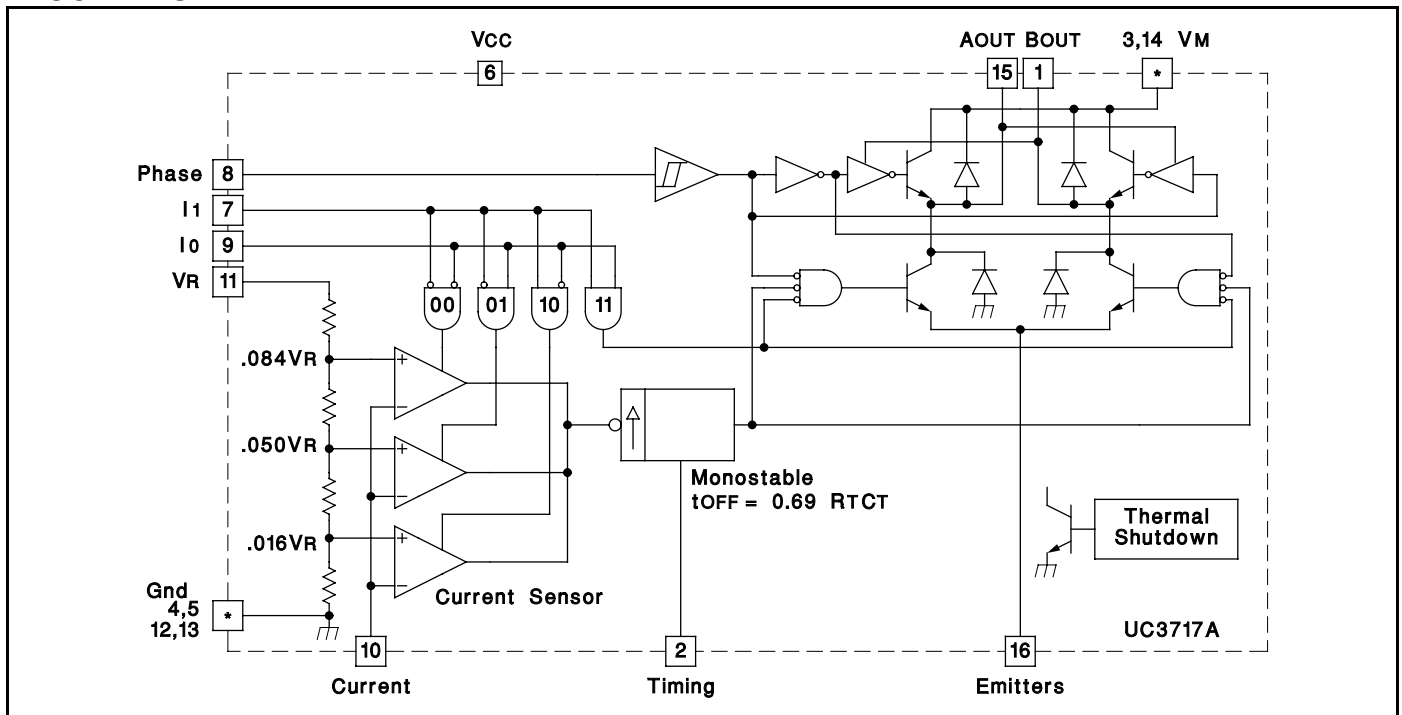
Junction Temperature, Tj $+150^{\circ}C$

Storage Temperature Range, Ts $-55^{\circ}C$ to $+150^{\circ}C$

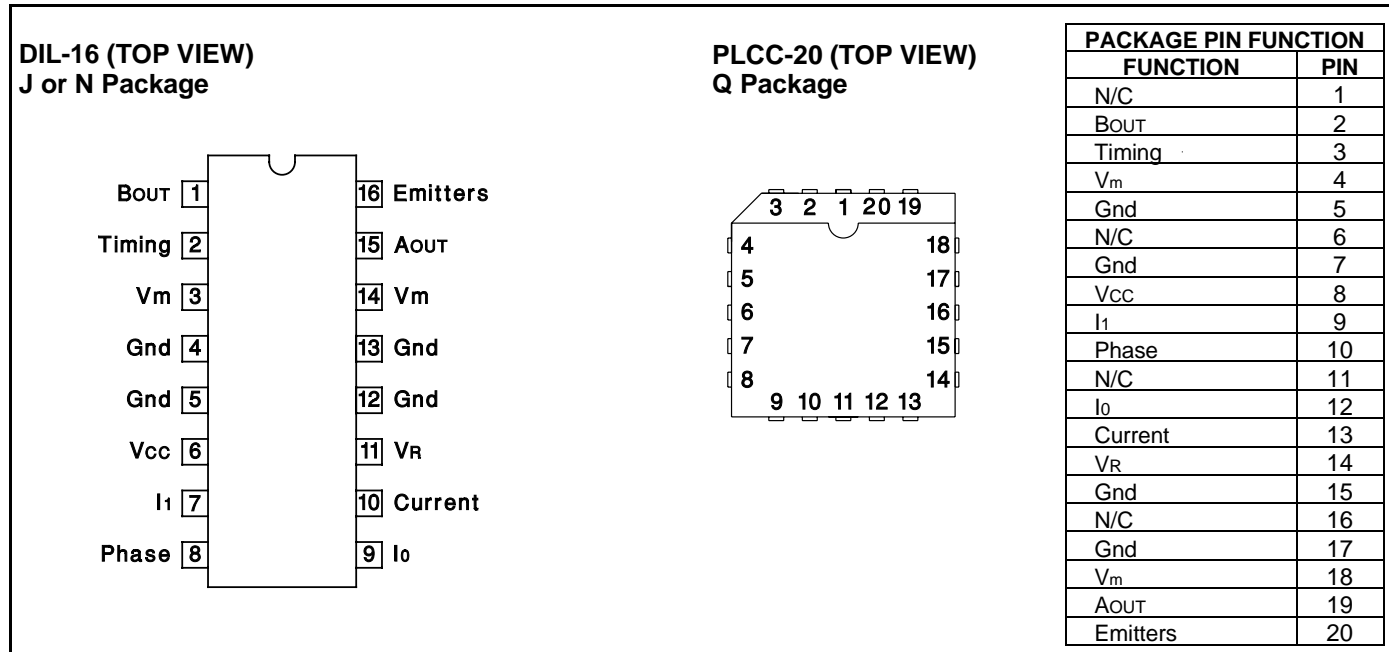
Note 1: All voltages are with respect to ground, Pins 4, 5, 12, 13. Currents are positive into, negative out of the specified terminal. Pin numbers refer to DIL-16 package.

Consult Packaging Section of Databook for thermal limitations and considerations of package.

BLOCK DIAGRAM



CONNECTION DIAGRAMS



ELECTRICAL CHARACTERISTICS (Refer to the test circuit, Figure 6. V_m = 36V, V_{cc} = 5V, V_R = 5V, T_A = 0°C to 70°C, unless otherwise stated, T_A = T_J.)

PARAMETERS	TEST CONDITIONS	MIN	TYP	MAX	UNITS
Supply Voltage, V _m (Pins 3, 14)		10		46	V
Logic Supply Voltage, V _{cc} (Pin 6)		4.75		5.25	V
Logic Supply Current, I _{cc} (Pin 6)	I _o = I ₁ = 0		7	15	mA
Thermal Shutdown Temperature		+160		+180	°C
Logic Inputs					
Input Low Voltage, (Pins 7, 8, 9)				0.8	V
Input High Voltage, (Pins 7, 8, 9)		2		V _{cc}	V
Low Voltage Input Current, (Pins 7, 8, 9)	V _I = 0.4V, Pin 8			-100	μA
	V _I = 0.4V, Pins 7 and 9			-400	mA
High Voltage Input Current, (Pins 7, 8, 9)	V _I = 2.4V			10	μA
Comparators					
Comparator Low, Threshold Voltage (Pin 10)	V _R = 5V; I _o = L; I ₁ = H	66	80	90	mV
Comparator Medium, Threshold Voltage (Pin 10)	V _R = 5V; I _o = H; I ₁ = L	236	250	266	mV
Comparator High, Threshold Voltage (Pin 10)	V _R = 5V; I _o = L; I ₁ = L	396	420	436	mV
Comparator Input, Current (Pin 10)				±20	μA
Cutoff Time, t _{OFF}	R _T = 56kΩ, C _T = 820pF	25		35	μs
Turn Off Delay, t _d	(See Figure 5)			2	μs
Source Diode-Transistor Pair					
Saturation Voltage, V _{SAT} (Pins 1, 15) (See Figure 5)	I _m = -0.5A, Conduction Period		1.7	2.1	V
	I _m = -0.5A, Recirculation Period		1.1	1.35	V
Saturation Voltage, V _{SAT} (Pins 1, 15) (See Figure 5)	I _m = -1A, Conduction Period		2.1	2.8	V
	I _m = -1A, Recirculation Period		1.7	2.5	V
Leakage Current	V _m = 40V			300	μA
Diode Forward Voltage, V _F	I _m = -0.5A		1	1.25	V
	I _m = -1A		1.3	1.7	V

ELECTRICAL CHARACTERISTICS (cont.)

(Refer to the test circuit, Figure 6. $V_M = 36V$, $V_{CC} = 5V$, $V_R = 5V$, $T_A = 0^\circ C$ to $70^\circ C$, unless otherwise stated, $T_A = T_J$.)

PARAMETERS	TEST CONDITIONS	MIN	TYP	MAX	UNITS
Sink Diode-Transistor Pair					
Saturation Voltage, V_{SAT} (Pins 1, 15)	$I_m = 0.5A$	0.8	1.1	1.35	V
	$I_m = 1A$		1.6	2.3	V
Leakage Current	$V_m = 40V$			300	μA
Diode Forward Voltage, V_F	$I_m = 0.5A$		1.1	1.5	V
	$I_m = 1A$		1.4	2	V

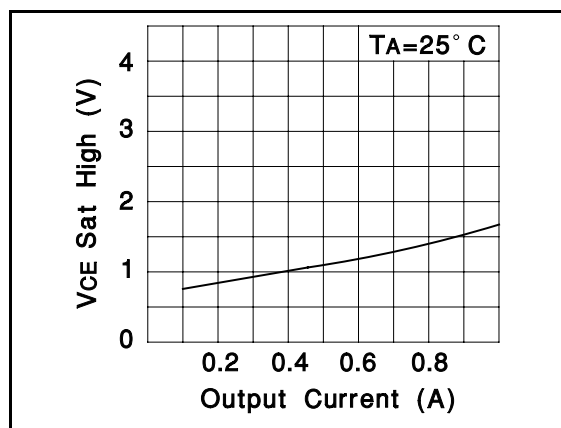


Figure 1. Typical Source Saturation Voltage vs Output Current (Recirculation Period)

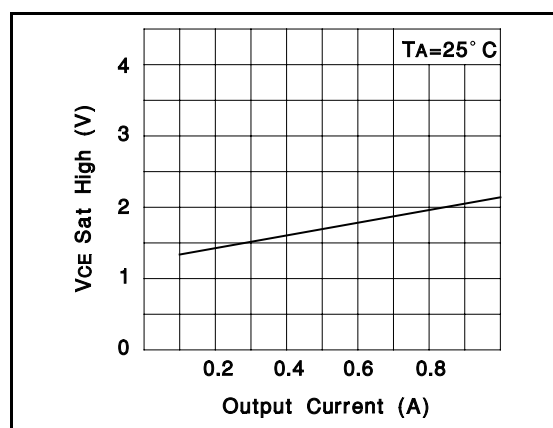


Figure 2. Typical Source Saturation Voltage vs Output Current (Conduction Period)

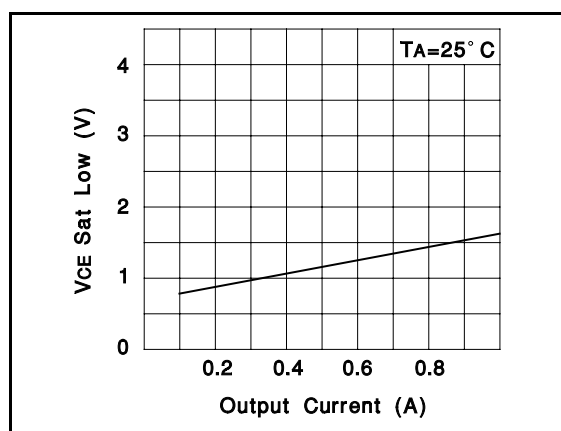


Figure 3. Typical Sink Saturation Voltage vs Output Current

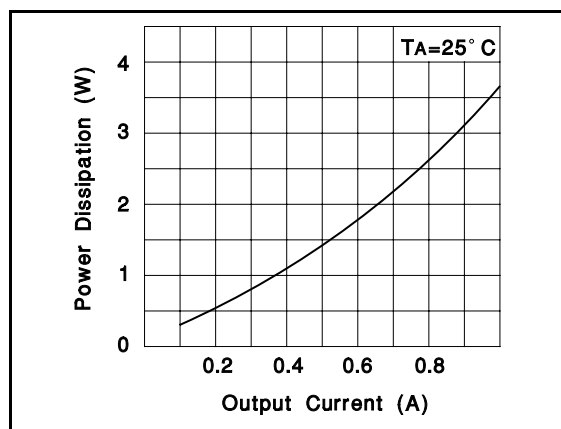


Figure 4. Typical Power Dissipation vs Output Current

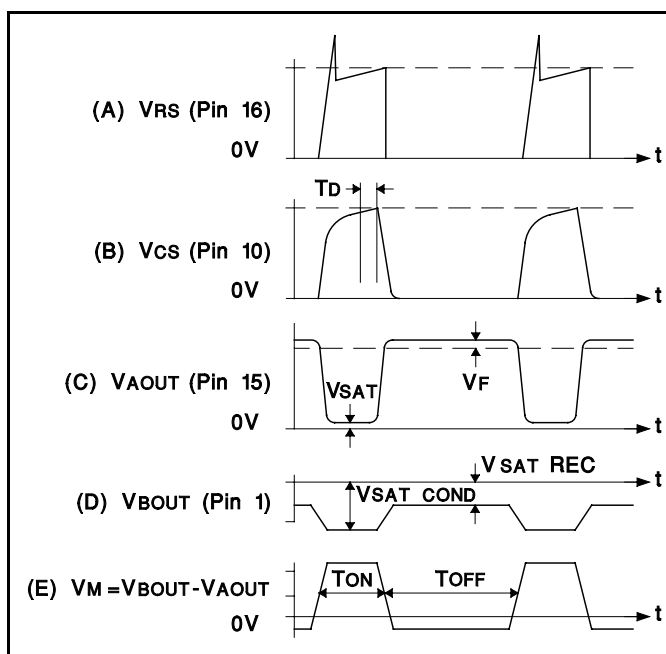


Figure 5. Typical Waveforms with MA Regulating (phase = 0)

FUNCTIONAL DESCRIPTION (cont.)

PHASE POLARITY INPUT

The UC3717A phase polarity input controls current direction in the motor winding. Built-in hysteresis insures immunity to noise, something frequently present in switched drive environments. A low level phase polarity input enables Q2 and Q3 as shown in Figure 7. During phase reversal, the active transistors are both turned off while winding current delays through the commutating diodes shown. As winding current decays to zero, the inactive transistors Q1 and Q4 turn on and charge the winding with current of the reverse direction. This delay insures noise immunity and freedom from power supply current spikes caused by overlapping drive signals.

PHASE INPUT	Q1, Q4	Q2, Q3
LOW	OFF	ON
HIGH	ON	OFF

CURRENT CONTROL

The voltage divider, comparators, monostable, and two-bit D/A provide a means to sense winding peak current, select winding peak current, and disable the winding sink transistors.

The UC3717A switched driver accomplishes current control using an algorithm referred to as "fixed off-time." When a voltage is applied across the motor winding, the current through the winding increases exponentially. The current can be sensed across an external resistor as an analog voltage proportional to instantaneous current. This voltage is normally filtered with a simple RC low-pass network to remove high frequency transients, and then compared to one of the three selectable thresholds. The two bit D/A input signal determines which one of the three thresholds is selected, corresponding to a desired winding peak current level. At the moment the sense voltage rises above the selected threshold, the UC3717A's monostable is triggered and disables both output sink drivers for a fixed off-time. The winding current then circulates through the source transistor and appropriate diode. The reference terminal of the UC3717A provides a means of continuously adjusting the current threshold to allow microstepping. Table 1 presents the relationship between the two-bit D/A input signal and selectable current level.

TABLE 1

I ₀	I ₁	CURRENT LEVEL
0	0	100%
1	0	60%
0	1	19%
1	1	Current Inhibit

OVERLOAD PROTECTION

The UC3717A is equipped with a new, more reliable thermal shutdown circuit which limits the junction tempera-

ture to a maximum of 180C by reducing the winding current.

PERFORMANCE CONSIDERATIONS

In order to achieve optimum performance from the UC3717A careful attention should be given to the following items.

External Components: The UC3717A requires a minimal number of external components to form a complete control and switch drive unit. However, proper selection of external components is necessary for optimum performance. The timing pin, (pin 2) is normally connected to an RC network which sets the off-time for the sink power transistor during switched mode. As shown in Figure 8, prior to switched mode, the winding current increases exponentially to a peak value. Once peak current is attained the monostable is triggered which turns off the lower sink drivers for a fixed off-time. During off-time winding current decays through the appropriate diode and source transistor. The moment off-time times out, the motor current again rises exponentially producing the ripple waveform shown. The magnitude of winding ripple is a direct function of off-time. For a given off-time T_{OFF} , the values of R_T and C_T can be calculated from the expression:

$$T_{OFF} = 0.69R_T C_T$$

with the restriction that R_T should be in the range of 10-100k. As shown in Figure 5, the switch frequency F_S is a function of T_{OFF} and T_{ON} . Since T_{ON} is a function of the reference voltage, sense resistor, motor supply, and winding electrical characteristics, it generally varies during different modes of operation. Thus, F_S may be approximated nominally as:

$$F_S = 1/1.5 (T_{OFF}).$$

Normally, Switch Frequency Is Selected Greater than

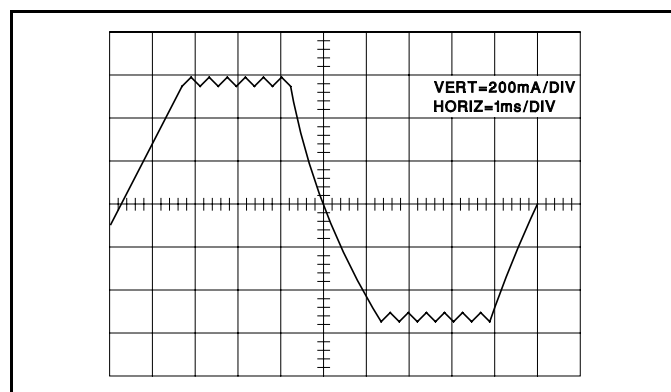


Figure 8. A typical winding current waveform. Winding current rises exponentially to a selected peak value. The peak value is limited by switched mode operation producing a ripple in winding current. A phase polarity reversal command is given and winding current decays to zero, then increases exponentially.

FUNCTIONAL DESCRIPTION (cont.)

Low-pass filter components RC CC should be selected so that all switching transients from the power transistors and commutating diodes are well smoothed, but the primary signal, which can be in the range of $1/T_{OFF}$ or higher must be passed. Figure 5A shows the waveform which must be smoothed, Figure 5B presents the desired waveform that just smoothes out overshoot without radical distortion.

The sense resistor should be chosen as small as practical to allow as much of the winding supply voltage to be used as overdrive to the motor winding. V_{RS} , the voltage across the sense resistor, should not exceed 1.5V.

Voltage Overdrive: In many applications, maximum speed or step rate is a desirable performance characteristic. Maximum step rate is a direct function of the time necessary to reverse winding current with each step. In response to a constant motor supply voltage, the winding current changes exponentially with time, whose shape is determined by the winding time constant and expressed as:

$$I_m = \frac{V_m}{R [1 - \text{EXP}(-Rt/L)]}$$

as presented in Figure 9. With rated voltage applied, the time required to reach rated current is excessive when compared with the time required with over-voltage applied, even though the time constant L/R remains constant. With over-voltage however, the final value of

current is excessive and must be prevented. This is accomplished with switch drive by repetitively switching the sink drivers on and off, so as to maintain an average value of current equal to the rated value. This results in a small amount of ripple in the controlled current, but the increase in step rate and performance may be considerable.

Interference: Electrical noise generated by the chopping action can cause interference problems, particularly in the vicinity of magnetic storage media. With this in mind, printed circuit layouts, wire runs and decoupling must be considered. 0.01 to $0.1\mu\text{F}$ ceramic capacitors for high frequency bypass located near the drive package across $V+$ and ground might be very helpful. The connection and ground leads of the current sensing components should be kept as short as possible.

Half-Stepping: In half step sequence the power input to the motor alternates between one or two phases being energized. In a two phase motor the electrical phase shift between the windings is 90° . The torque developed is the vector sum of the two windings energized. Therefore when only one winding is energized the torque of the motor is reduced by approximately 30%. This causes a torque ripple and if it is necessary to compensate for this, the VR input can be used to boost the current of the single energized winding.

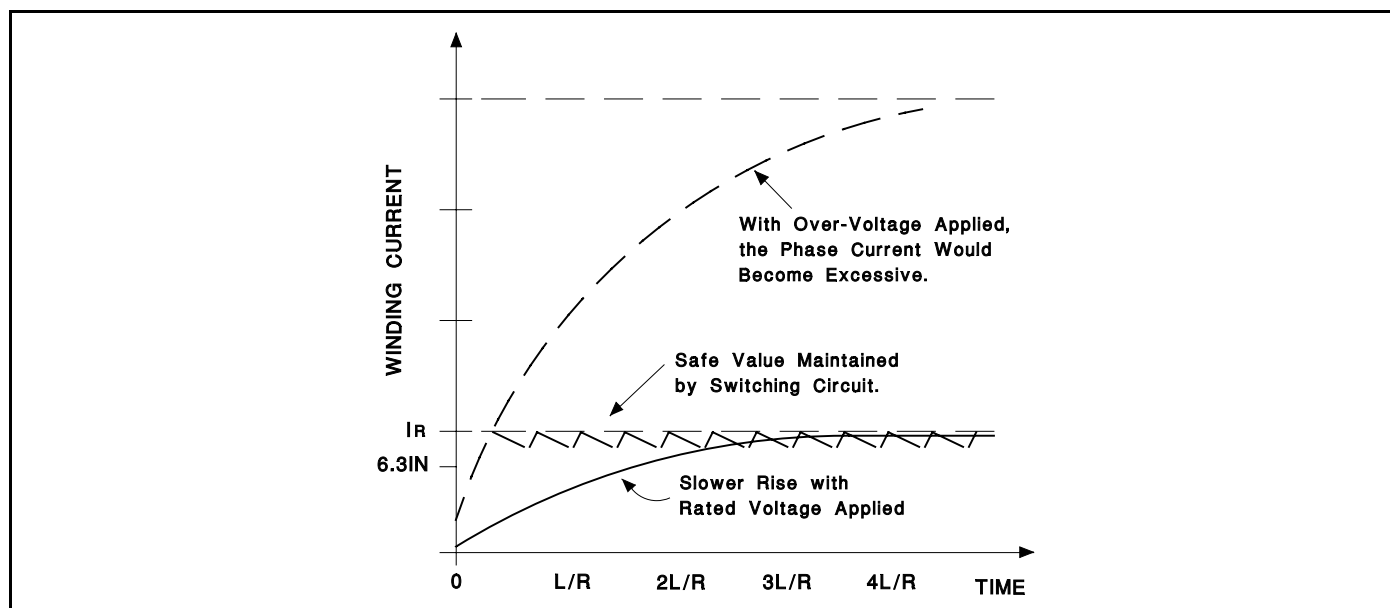


Figure 9. With rated voltage applied, winding current does not exceed rated value, but takes L/R seconds to reach 63% of its final value - probably too long. Increased performance requires an increase in applied voltage, of overdrive, and therefore a means to limit current. The UC3717A motor driver performs this task efficiently.

MOUNTING INSTRUCTIONS

The θ_{JA} of the UC3717AN plastic package can be reduced by soldering the GND pins to a suitable copper area of the printed circuit board or to an external heat sink. Due to different lead frame design, θ_{JA} of the ceramic J package cannot be similarly reduced.

The diagram of Figure 11 shows the maximum package power P_{TOT} and the θ_{JA} as a function of the side "l" of two equal square copper areas having a thickness of 35μ (see Figure 10).

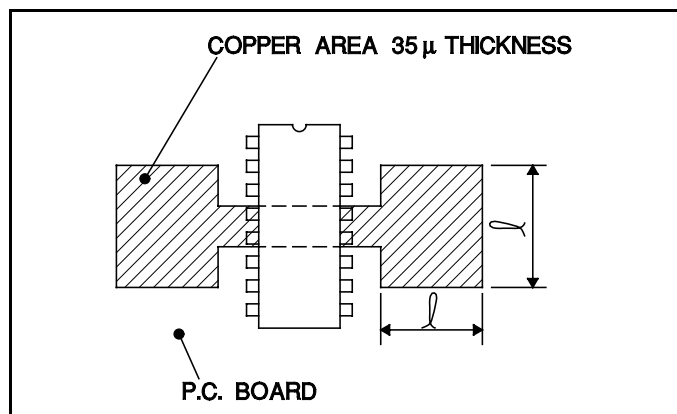


Figure 10. Example of P.C. Board Copper Area which is used as Heatsink.

During soldering the pins' temperature must not exceed 260°C and the soldering time must not be longer than 12 seconds.

The printed circuit copper area must be connected to electrical ground.

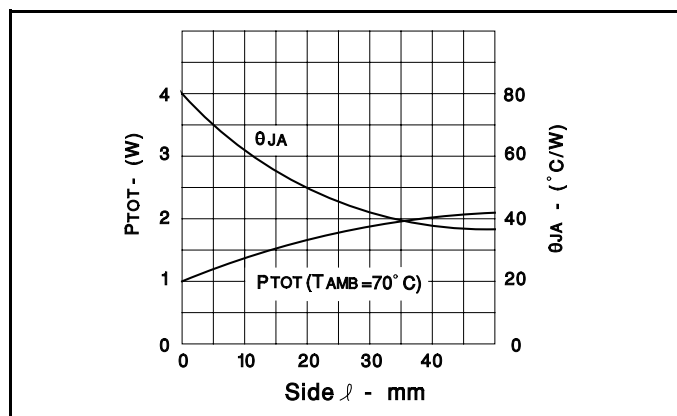


Figure 11. Maximum Package Power and Junction to Ambient Thermal Resistance vs Side "l".

APPLICATIONS

A typical chopper drive for a two phase bipolar permanent magnet or hybrid stepping motor is shown in Figure

12. The input can be controlled by a microprocessor, TTL, LS, or CMOS logic.

The timing diagram in Figure 13 shows the required signal input for a two phase, full step stepping sequence. Figure 14 shows the required input signal for a one phase-two phase stepping sequence called half-stepping.

The circuit of Figure 15 provides the signal shown in Figure 13, and in conjunction with the circuit shown in Figure 12 will implement a pulse-to-step two phase, full step, bi-directional motor drive.

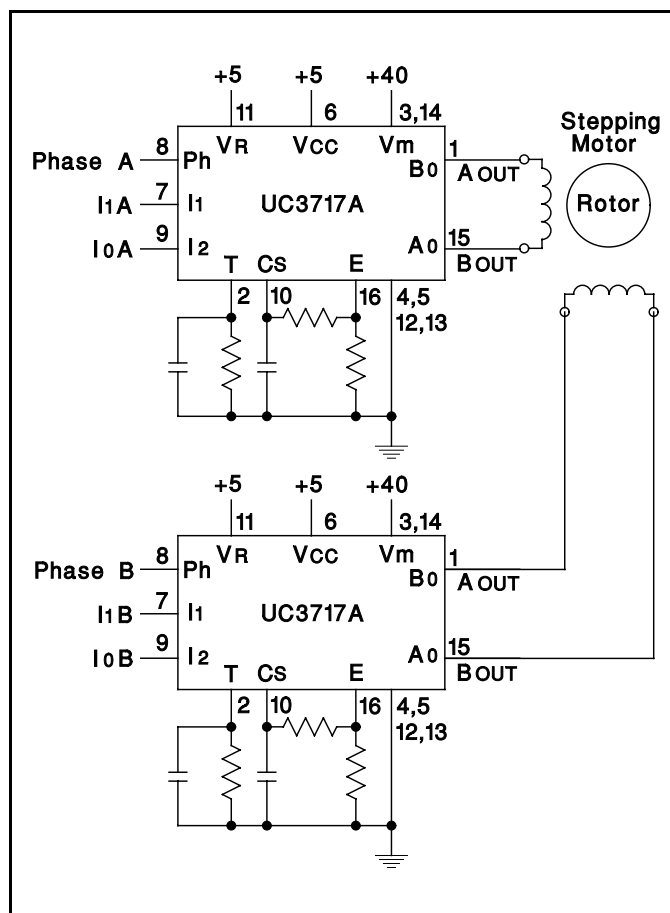


Figure 12. Typical Chopper Drive for a Two Phase Permanent Magnet Motor.

The schematic of Figure 16 shows a pulse to half step circuit generating the signal shown in Figure 14. Care has been taken to change the phase signal the same time the current inhibit is applied. This will allow the current to decay faster and therefore enhance the motor performance at high step rates.

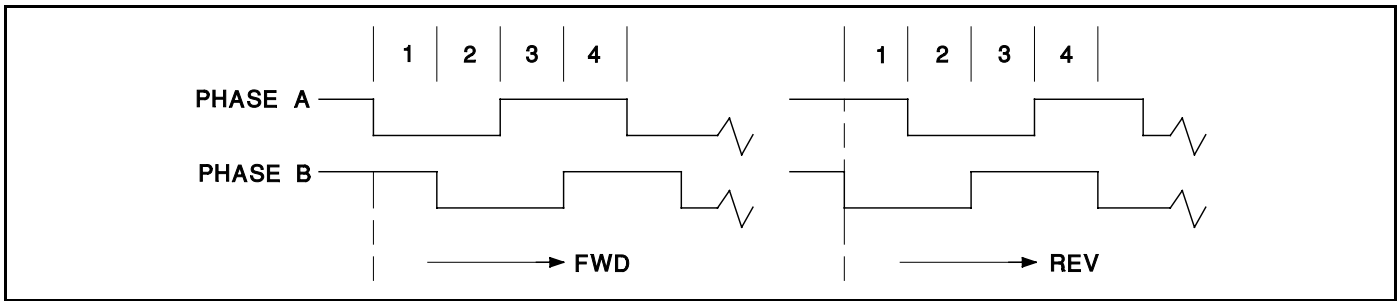


Figure 13. Phase Input Signal for Two Phase Full Step Drive (4 Step Sequence)

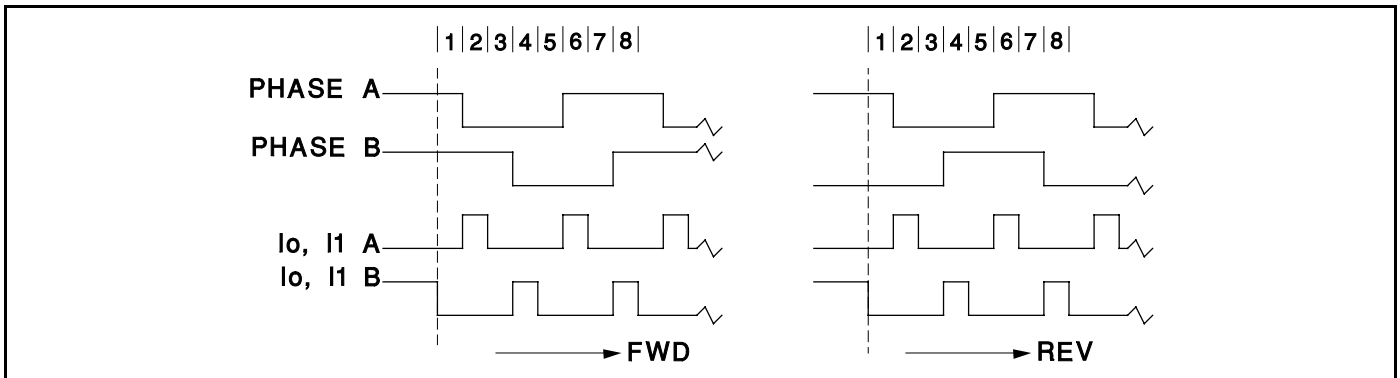


Figure 14. Phase and Current-Inhibit Signal for Half-Stepping (8 Step Sequence)

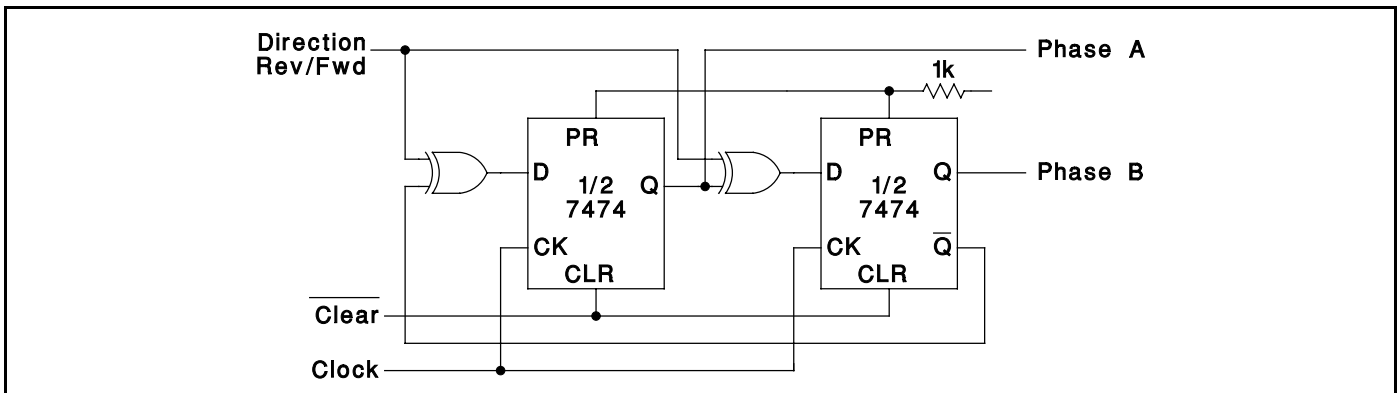


Figure 15. Full Step, Bi-directional Two Phase Drive Logic

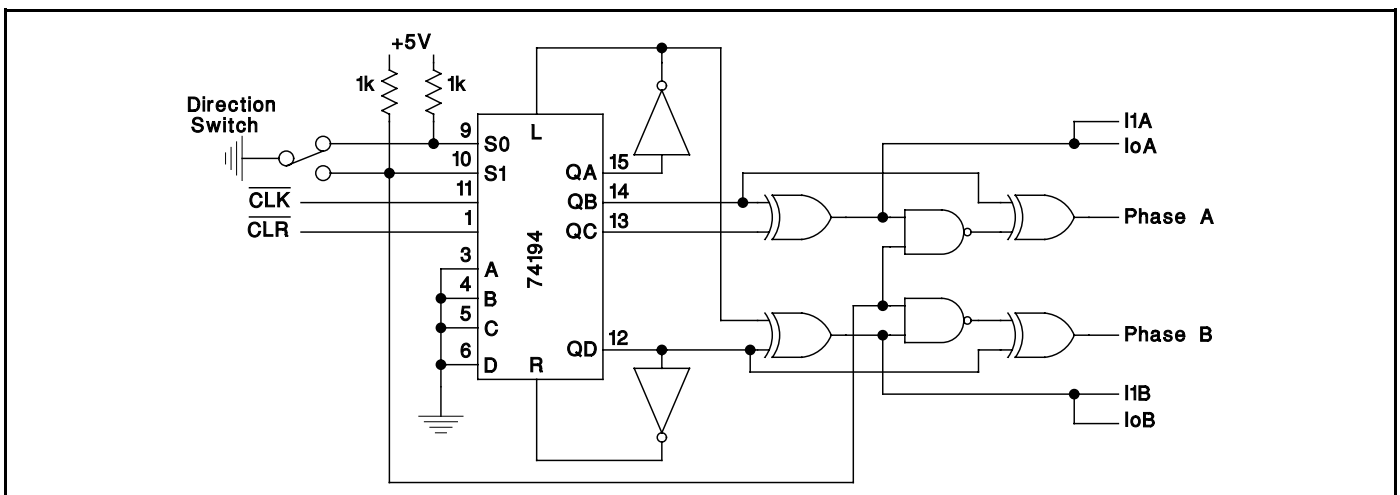


Figure 16. Half-Step, Bi-directional Drive Logic

IMPORTANT NOTICE

Texas Instruments and its subsidiaries (TI) reserve the right to make changes to their products or to discontinue any product or service without notice, and advise customers to obtain the latest version of relevant information to verify, before placing orders, that information being relied on is current and complete. All products are sold subject to the terms and conditions of sale supplied at the time of order acknowledgement, including those pertaining to warranty, patent infringement, and limitation of liability.

TI warrants performance of its semiconductor products to the specifications applicable at the time of sale in accordance with TI's standard warranty. Testing and other quality control techniques are utilized to the extent TI deems necessary to support this warranty. Specific testing of all parameters of each device is not necessarily performed, except those mandated by government requirements.

CERTAIN APPLICATIONS USING SEMICONDUCTOR PRODUCTS MAY INVOLVE POTENTIAL RISKS OF DEATH, PERSONAL INJURY, OR SEVERE PROPERTY OR ENVIRONMENTAL DAMAGE ("CRITICAL APPLICATIONS"). TI SEMICONDUCTOR PRODUCTS ARE NOT DESIGNED, AUTHORIZED, OR WARRANTED TO BE SUITABLE FOR USE IN LIFE-SUPPORT DEVICES OR SYSTEMS OR OTHER CRITICAL APPLICATIONS. INCLUSION OF TI PRODUCTS IN SUCH APPLICATIONS IS UNDERSTOOD TO BE FULLY AT THE CUSTOMER'S RISK.

In order to minimize risks associated with the customer's applications, adequate design and operating safeguards must be provided by the customer to minimize inherent or procedural hazards.

TI assumes no liability for applications assistance or customer product design. TI does not warrant or represent that any license, either express or implied, is granted under any patent right, copyright, mask work right, or other intellectual property right of TI covering or relating to any combination, machine, or process in which such semiconductor products or services might be or are used. TI's publication of information regarding any third party's products or services does not constitute TI's approval, warranty or endorsement thereof.