

Universal Serial Bus Power Controller

FEATURES

- Fully USB Compliant
- Support Four 5V Peripherals and One USB 3.3V Controller
- Separate Power Enables
- 500mA Current Limiting per Channel
- Separate Open Drain Fault Indicator for Each Channel
- 3.3V Output for USB Controller
- Available in 28 Pin Wide Surface Mount and DIP

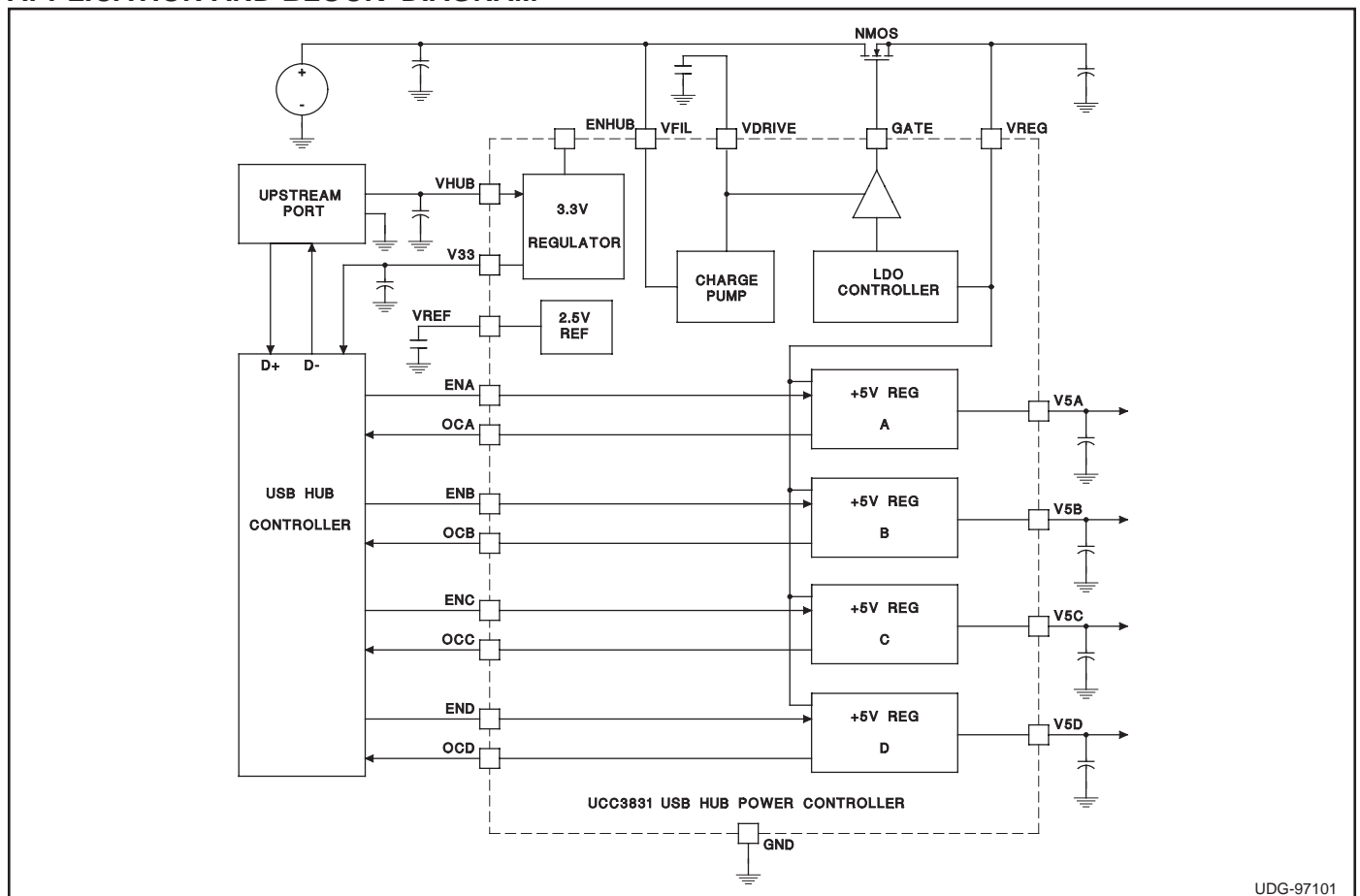
DESCRIPTION

The UCC3831 Power Controller is designed to provide a self powered USB hub with a local 3.3V regulated voltage and four 5V regulated voltages for USB ports. Each of the 5V output ports is individually enabled for optimal port control. Each port also provides an overcurrent fault signal indicating that the port has exceeded a 500mA current limit. The 3.3V linear regulator is used to power the local USB microcontroller. This regulator is protected with a 100mA current limit and has a logic level enable input.

The UCC3831 can be configured to provide USB port power from a loosely regulated voltage such as a Filament voltage internal to a monitor. Pre-regulation is provided by an internal linear regulator controller and one external logic level N-channel MOSFET. The UCC3831 can also be configured without using the pre-regulator stage by connecting the VREG pins to a regulated 5.5V 2A source.

The UCC3831 comes in a 28-pin wide SOIC power package optimized for power dissipation, and is protected by internal over-temperature shutdown mechanism, which disables the outputs should the internal junction temperature exceed 150°C.

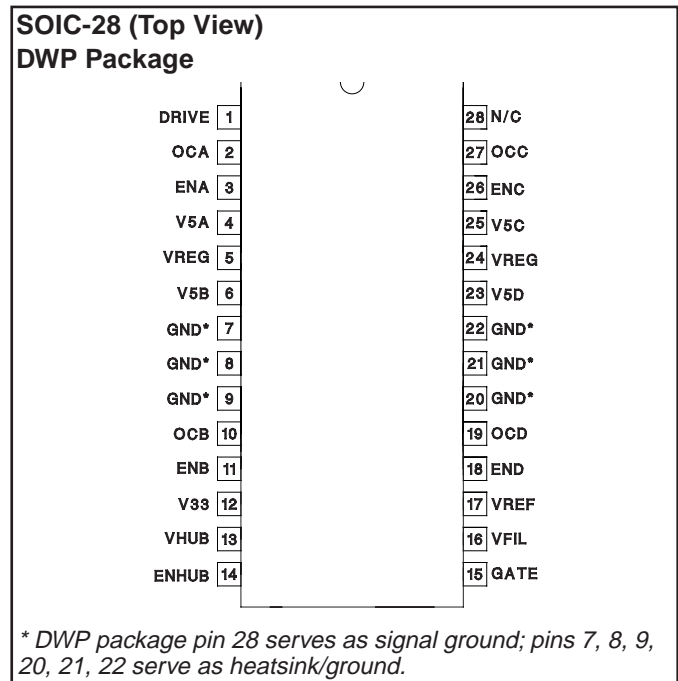
APPLICATION AND BLOCK DIAGRAM



ABSOLUTE MAXIMUM RATINGS

VFIL..... 9V
 VCON Supply Voltage 9V
 Logic Inputs (ENA-D, ENHUB)
 Maximum Forced Voltage -0.3V to 7V
 Maximum Forced Current ±1mA
 V33
 Maximum Forced Voltage..... 5V
 Maximum Current 200mA
 V5A-D
 Maximum Voltage..... 9V
 Maximum Current 750mA
 Storage Temperature -65°C to +150°C
 Junction Temperature..... -55°C to +150°C
 Lead Temperature (Soldering, 10 sec.) +300°C
*Unless otherwise indicated, voltages are reference to ground.
 Pulsed is defined as a less than 10% duty cycle with a maximum
 duration of 500µS. Currents are positive into, negative out of the
 specified terminal. All voltages are with respect to ground. Con-
 sult Packaging Section of Databook for thermal limitations and
 considerations of packages.*

CONNECTION DIAGRAM



ELECTRICAL CHARACTERISTICS Unless otherwise specified, T_J = 0°C to 125°C for the UCC3831. VFIL = 6.5V, VHUB = 5V. T_A = T_J.

PARAMETER	TEST CONDITIONS	MIN	TYP	MAX	UNITS
Input Supply Currents					
VHUB Supply Current	No External Load on V33		1	3	mA
VFIL Supply Current			1	3	mA
Reference					
VREF Voltage	Over Temperature	2.35	2.5	2.65	V
Line Regulation	VHUB = 4.5V to 9V		3	10	mV
3.3V Regulator					
V33 Voltage	T _J = 25°C, I _{LOAD} = 10mA	3.2	3.3	3.4	V
	0mA to 100mA, 0°C to 125°C, VHUB = 4.5V to 9V	3.165	3.3	3.435	V
Short Circuit Current Limit	VHUB = 6V, Output shorted to Ground	100	120	150	mA
Pre-Regulator					
VREG Voltage	0A to 2A, 0°C to 125°C, VFIL = 6V to 9V	5.25	5.5	5.7	V
5V Regulator					
V5A-D Voltage	T _J = 25°C, I _{LOAD} = 250mA, VREG = 5.5V	4.85	5	5.15	V
	0mA to 500mA, 0°C to 125°C	4.8	5	5.2	V
Short Circuit Current Limit	VREG = 5.5V, Output Shorted to Ground	500	600	750	mA
Charge Pump					
Quiescent Output Voltage	T _J = 25°C, VFIL = 6V, ENA-D = 5V, ENHUB = 5V	11	11.45	12	V
	0°C to 125°C, VFIL = 6V	10.5	11.45	12	V
Output Impedance			9	15	kΩ
Enable Inputs					
ENA-D Inputs - Guaranteed Low				0.7	V
ENA-D Inputs - Guaranteed High		3			V
Enable Inputs (cont.)					
ENHUB Input - Guaranteed Low				0.7	V

ELECTRICAL CHARACTERISTICS Unless otherwise specified, T_J = 0°C to 125°C for the UCC3831. VFIL = 6.5V, VHUB = 5V. T_A = T_J.

PARAMETER	TEST CONDITIONS	MIN	TYP	MAX	UNITS
ENHUB Input - Guaranteed High		3			V
Overcurrent Signals					
Active Sink Current	I _{OCX} = 100μA		140	500	mV

PIN DESCRIPTIONS

ENA-D: Separate enables pins for each of the four 5V supplies.

ENHUB: Enables the 3.3V output V33. Pulling this pin low disables V33.

GATE: Gate drive for an external NMOS used to regulate the 5.5V VREG supply. Minimum available drive is 11V.

GND: All 6 GND pins must be tied to the system ground. In addition to serving as electrical conductors, these 6 pins are heat sinks. Refer to the Packaging Device Temperature Management guide in the Packaging section of the Unitrode Databook.

OCA-D: Open drain overcurrent indicator. OCA-D can be wire OR'ed by the user to create a single overcurrent indicator.

V5A-D: 5V regulated output with enable, 500mA (minimum) current limit, and overcurrent indicator.

V33: 3.3V regulator output. Enable when ENHUB is high. Current limit is 100mA minimum.

VDRIVE: Internal charge pump voltage is brought out for external decoupling. Nominal voltage is between 11V and 13V. No external loading permitting. Decouple with at least 0.001μF capacitor.

VFIL: Bias supply for all four of the 5V regulators. VFIL voltage must be between 6V and 9V.

VHUB: Supply for the 3.3V USB controller power supply and bandgap reference.

VREF: Internal 2.5V reference is brought out for external decoupling only. Decouple with 0.01μF capacitor.

VREG: Regulated to 5.5V by means of an external NMOS. 2 pins supply up to a total of 2.5A to the four 5V bus voltages (V5A, V5B, V5C, V5D).

IMPORTANT NOTICE

Texas Instruments and its subsidiaries (TI) reserve the right to make changes to their products or to discontinue any product or service without notice, and advise customers to obtain the latest version of relevant information to verify, before placing orders, that information being relied on is current and complete. All products are sold subject to the terms and conditions of sale supplied at the time of order acknowledgement, including those pertaining to warranty, patent infringement, and limitation of liability.

TI warrants performance of its semiconductor products to the specifications applicable at the time of sale in accordance with TI's standard warranty. Testing and other quality control techniques are utilized to the extent TI deems necessary to support this warranty. Specific testing of all parameters of each device is not necessarily performed, except those mandated by government requirements.

CERTAIN APPLICATIONS USING SEMICONDUCTOR PRODUCTS MAY INVOLVE POTENTIAL RISKS OF DEATH, PERSONAL INJURY, OR SEVERE PROPERTY OR ENVIRONMENTAL DAMAGE ("CRITICAL APPLICATIONS"). TI SEMICONDUCTOR PRODUCTS ARE NOT DESIGNED, AUTHORIZED, OR WARRANTED TO BE SUITABLE FOR USE IN LIFE-SUPPORT DEVICES OR SYSTEMS OR OTHER CRITICAL APPLICATIONS. INCLUSION OF TI PRODUCTS IN SUCH APPLICATIONS IS UNDERSTOOD TO BE FULLY AT THE CUSTOMER'S RISK.

In order to minimize risks associated with the customer's applications, adequate design and operating safeguards must be provided by the customer to minimize inherent or procedural hazards.

TI assumes no liability for applications assistance or customer product design. TI does not warrant or represent that any license, either express or implied, is granted under any patent right, copyright, mask work right, or other intellectual property right of TI covering or relating to any combination, machine, or process in which such semiconductor products or services might be or are used. TI's publication of information regarding any third party's products or services does not constitute TI's approval, warranty or endorsement thereof.