





**ELECTRICAL CHARACTERISTICS** Unless otherwise stated, these specifications apply for  $T_A = T_J = 0^\circ\text{C}$  to  $70^\circ\text{C}$ , TRMPWR = 2.7V to 5.25V.

PARAMETER	TEST CONDITIONS	MIN	TYP	MAX	UNITS
<b>TRMPWR Supply Current Section</b>					
TRMPWR Supply Current	LVD Mode (No Load)		13	20	mA
	SE Mode (No Load)		1.6	10	mA
	Disabled		250	400	$\mu\text{A}$
<b>Regulator Section</b>					
REG Output Voltage (LVD Mode)	$0.5\text{V} \leq V_{\text{CM}} \leq 2.0\text{V}$ (Note1)	1.15	1.25	1.35	V
REG Output Voltage (SE Mode)	$0\text{V} \leq V_{\text{L-}} \leq 4.2\text{V}$ (Note2)	2.5	2.7	3.0	V
REG Short-Circuit Source Current (LVD and SE Modes)	$V_{\text{REG}} = 0\text{V}$	-800	-420	-225	mA
REG Short-Circuit Sink Current (LVD and SE Modes)	$V_{\text{REG}} = 3.0\text{V}$	100	180	800	mA
<b>DIFSENS Output Section</b>					
Output Voltage	$-5\text{mA} \leq I_{\text{DIFSENS}} \leq 50\mu\text{A}$	1.2	1.3	1.4	V
Short-Circuit Source Current	$V_{\text{DIFSENS}} = 0\text{V}$	-15	-8	-5	mA
Short-Circuit Sink Current	$V_{\text{DIFSENS}} = 2.75\text{V}$	50	80	200	$\mu\text{A}$
<b>Differential Termination Section (Applies to each line pair, 1-9, in LVD mode)</b>					
Differential Impedance		100	105	110	$\Omega$
Common Mode Impedance	L+ and L- shorted together. (Note 3)	110	140	165	$\Omega$
Differential Bias Voltage		100		125	mV
Common Mode Bias Voltage	L+ and L- shorted together.	1.15	1.25	1.35	V
Output Capacitance	Single ended measurement to ground. (Note 4)			3	pF
<b>Single Ended Termination Section (Applies to each line pair, 1-9, in SE mode)</b>					
Impedance	(Note 5)	102.3	110	117.7	$\Omega$
Termination Current	Signal Level 0.2V	-25.4		-21	mA
	Signal Level 0.5V	-22.4		-18	mA
Output Capacitance	Single ended measurement to ground. (Note 4)			3	pF
Single Ended GND Switch Impedance	$I = 10\text{mA}$		20	60	$\Omega$
<b>Disconnected Termination Section (Applies to each line pair, 1-9, in DISCNCT or HIPD mode)</b>					
Output Leakage				400	nA
Output Capacitance	Single ended measurement to ground. (Note 4)			3	pF
<b>DISCNCT and DIFFB Input Section</b>					
DISCNCT Threshold		0.8		2.0	V
DISCNCT Input Current	$V_{\text{DISCNCT}} = 0\text{V}$	-30	-10	-3	$\mu\text{A}$
DIFFB Single Ended to LVD Threshold		0.5		0.7	V
DIFFB LVD to HIPD Threshold		1.9		2.4	V
DIFFB Input Current	$0\text{V} \leq V_{\text{DIFFB}} \leq 2.75\text{V}$	-1		1	$\mu\text{A}$

**ELECTRICAL CHARACTERISTICS** Unless otherwise stated, these specifications apply for  $T_A = T_J = 0^\circ\text{C}$  to  $70^\circ\text{C}$ ,  $\text{TRMPWR} = 2.7\text{V}$  to  $5.25\text{V}$ .

PARAMETER	TEST CONDITIONS	MIN	TYP	MAX	UNITS
<b>Master/Slave (MSTR/SLV) Input Section</b>					
MSTR/SLV Threshold	$V_{\text{TRMPWR}} = 2.7\text{V}$	0.8		1.9	V
	$V_{\text{TRMPWR}} = 3.3\text{V}$	1		2.4	V
	$V_{\text{TRMPWR}} = 5.25\text{V}$	1.5		3.7	V
MSTR/SLV Input Current		-1		1	$\mu\text{A}$
<b>Status Bits (SE, LVD, HIPD) Output Section</b>					
$I_{\text{SOURCE}}$	$V_{\text{LOAD}} = 2.4\text{V}$		-8.7	-4	mA
$I_{\text{SINK}}$	$V_{\text{LOAD}} = 0.5\text{V}$	3	6		mA
	$V_{\text{LOAD}} = 0.4\text{V}$	2	5		mA

**Note 1:**  $V_{\text{CM}}$  is applied to all L+ and L- lines simultaneously.

**Note 2:**  $V_{\text{L-}}$  is applied to all L- lines simultaneously.

**Note 3:**  $Z_{\text{CM}} = \frac{(2.0\text{V} - 0.5\text{V})}{I_{(\text{at } V_{\text{CM}} = 2\text{V})} - I_{(\text{at } V_{\text{CM}} = 0.5\text{V})}}$ ;

**Note 4:** Ensured by design. Not 100% tested in production.

**Note 5:**  $Z = \frac{(V_{\text{L}(X)} - 0.2\text{V})}{I_{\text{L}(X)}}$ ; where

$V_{\text{L}(X)}$  = Output voltage for each terminator minus output pin (L1- through L9-) with each pin unloaded.

$I_{\text{L}(X)}$  = Output current for each terminator minus output pin (L1- through L9-) with the minus output pin forced to 0.2V.

## PIN DESCRIPTIONS

**DIFFB:** Input pin for the comparators that select SE, LVD, or HIPD modes of operation. This pin should be decoupled with a  $4.7\mu\text{F}$  capacitor to ground and then coupled to the DIFSENS pin through a  $50\text{k}\Omega$  resistor.

**DIFSENS:** Connects to the Diff Sense line of the SCSI bus. The bus mode is controlled by the voltage level on this pin.

**DISCNCT:** Input pin used to shut down the terminator if the terminator is not connected at the end of the bus. Connect this pin to ground to activate the terminator or open pin to disable the terminator.

**HIPD:** TTL compatible status bit. This output pin is high when a high voltage differential device is detected on the bus.

**HS/GND:** Heat sink ground pins. These should be connected to large area PC board traces to increase the power dissipation capability.

**GND:** Power Supply return.

**L1- thru L9-:** Termination lines. These are the active lines in SE mode and are the negative lines for LVD mode. In HIPD mode, these lines are high impedance.

**L1+ thru L9+:** Termination lines. These lines switch to ground in SE mode and are the positive lines for LVD mode. In HIPD mode, these lines are high impedance.

**MSTR/SLV:** If the terminator is enabled, this input pin enables / disables the DIFSENS driver, when connected to TRMPWR or ground respectively. When the terminator is disabled, the DIFSENS driver is off, independent of this input.

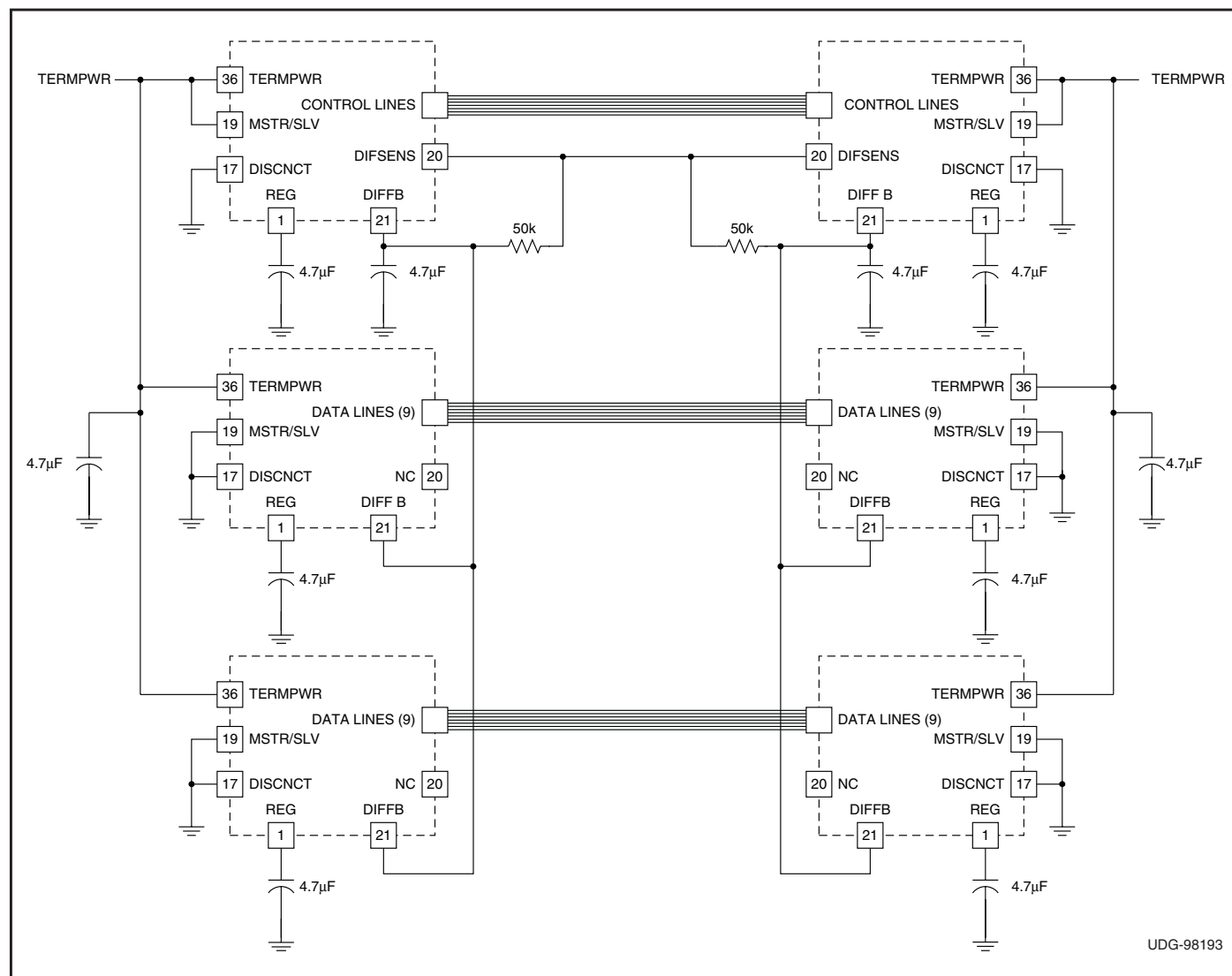
**LVD:** TTL compatible status bit. This output pin is high when the SCSI bus is in LVD mode.

**REG:** Regulator output bypass pin. This pin must be connected to a  $4.7\mu\text{F}$  capacitor to ground.

**SE:** TTL compatible status bit. This output pin is high when the SCSI bus is in SE mode.

**TRMPWR:** 2.7V to 5.25V power input pin, bypass near the terminators with a  $4.7\mu\text{F}$  capacitor to ground.

## APPLICATION INFORMATION



UDG-98193

**Figure 2. Application diagram.**

All SCSI buses require a termination network at each end to function properly. Specific termination requirements differ, depending on which types of SCSI devices are present on the bus.

The UCC5630A is used in multi-mode active termination applications, where single ended (SE) and low voltage differential (LVD) devices might coexist. The UCC5630A has both SE and LVD termination networks integrated into a single monolithic component. The correct termination network is automatically determined by the SCSI bus "DIFSENS" signal.

The SCSI bus DIFSENS signal line is used to identify which types of SCSI devices are present on the bus. On power-up, the UCC5630A DIFSENS drivers will try to deliver 1.3V to the DIFSENS line. If only LVD devices are present, the DIFSENS line will be successfully driven to 1.3V and the terminators will configure for LVD operation. If any single ended devices are present, they will present a short to ground on the DIFSENS line, signaling the UCC5630A(s) to configure into the SE mode, accommodating the SE devices. Or, if any high voltage differential (HVD) devices are present, the DIFSENS line is pulled high and the terminator will enter a high impedance state, effectively disconnecting from the bus.

## APPLICATION INFORMATION (cont.)

The DIFSENS line is monitored by each terminator through a 100ms to 300ms noise filter at the DIFFB input pin. A set of comparators detect and select the appropriate termination for the bus as follows. If the DIFSENS signal is below 0.5V, the termination network is SE. Between 0.7V and 1.9V, the termination network switches to LVD, and above 2.4V is HVD, causing the terminators to disconnect from the bus. The thresholds accommodate differences in ground potential that can occur with long lines.

Three UCC5630A multi-mode parts are required at each end of the bus to terminate 27 (18 data, plus 9 control) lines. Each part includes a DIFSENS driver, but only one is necessary to drive the line. A MSTR/SLV input pin is provided to disable the other two. The "master" part must have its' MSTR/SLV pin connected to TRMPWR and the two "slave" parts must have the MSTR/SLV inputs grounded. Only the "master" is connected directly to the SCSI bus DIFSENS line. The DIFFB inputs on all three parts are connected together, allowing them to share the same 50Hz noise filter. This multi-mode terminator operates in full specification down to 2.7V TRMPWR voltage. This accommodates 3.3V systems, with allowance for the 3.3V supply tolerance (+/- 10%), a unidirectional fusing device and cable drop. In 3.3V TRMPWR systems, the UCC3912 is recommended in place of the fuse and diode. The UCC3912's lower voltage drop allows additional margin over the fuse and diode, for the far end terminator.

Layout is critical for Ultra2, Ultra3, Ultra160 and Ultra320 systems. The SPI-2 standard for capacitance loading is 10pF maximum from each positive and negative signal line to ground, and a maximum of 5pF between the positive and negative signal lines of each pair is allowed. These maximum capacitances apply to differential bus termination circuitry that is not part of a SCSI device, (e.g. a cable terminator). If the termination circuitry is included as part of a SCSI device, (e.g., a host adaptor, disk or tape drive), then the corresponding requirements are 30pF maximum from each positive and negative signal line to ground and 15pF maximum between the positive and negative signal lines of each pair.

The SPI-2 standard for capacitance balance of each pair and balance between pairs is more stringent. The standard is 0.75pF maximum difference from the positive and

negative signal lines of each pair to ground. An additional requirement is a maximum difference of 2pF when comparing pair to pair. These requirements apply to differential bus termination circuitry that is not part of a SCSI device. If the termination circuitry is included as part of a device, then the corresponding balance requirements are 2.25pF maximum difference within a pair, and 3pF from pair to pair.

Feed-throughs, through-hole connections, and etch lengths need to be carefully balanced. Standard multi-layer power and ground plane spacing add about 1pF to each plane. Each feed-through will add about 2.5pF to 3.5pF. Enlarging the clearance holes on both power and ground planes will reduce the capacitance. Similarly, opening up the power and ground planes under the connector will reduce the capacitance for through-hole connector applications. Capacitance will also be affected by components, in close proximity, above and below the circuit board.

Unitrode multi-mode terminators are designed with very tight balance, typically 0.1pF between pins in a pair and 0.3pF between pairs. At each L+ pin, a ground driver drives the pin to ground, while in single ended mode. The ground driver is specially designed to not effect the capacitive balance of the bus when the device is in LVD or disconnect mode.

Multi-layer boards need to adhere to the 120Ω impedance standard, including the connectors and feed-throughs. This is normally done on the outer layers with 4 mil etch and 4 mil spacing between runs within a pair, and a minimum of 8 mil spacing to the adjacent pairs to reduce crosstalk. Microstrip technology is normally too low of impedance and should not be used. It is designed for 50Ω rather than 120Ω differential systems. Careful consideration must be given to the issue of heat management. A multi-mode terminator, operating in SE mode, will dissipate as much as 130mW of instantaneous power per active line with TRMPWR = 5.25V. The UCC5630A is offered in a 36 pin SSOP and a 48 lead LFQP. Both packages include heat sink ground pins. These heat sink/ground pins are directly connected to the die mount paddle under the die and conduct heat from the die to reduce the junction temperature. All of the HS/GND pins need to be connected to etch area or a feed-through per pin connecting to the ground plane layer on a multi-layer board.

## IMPORTANT NOTICE

Texas Instruments Incorporated and its subsidiaries (TI) reserve the right to make corrections, modifications, enhancements, improvements, and other changes to its products and services at any time and to discontinue any product or service without notice. Customers should obtain the latest relevant information before placing orders and should verify that such information is current and complete. All products are sold subject to TI's terms and conditions of sale supplied at the time of order acknowledgment.

TI warrants performance of its hardware products to the specifications applicable at the time of sale in accordance with TI's standard warranty. Testing and other quality control techniques are used to the extent TI deems necessary to support this warranty. Except where mandated by government requirements, testing of all parameters of each product is not necessarily performed.

TI assumes no liability for applications assistance or customer product design. Customers are responsible for their products and applications using TI components. To minimize the risks associated with customer products and applications, customers should provide adequate design and operating safeguards.

TI does not warrant or represent that any license, either express or implied, is granted under any TI patent right, copyright, mask work right, or other TI intellectual property right relating to any combination, machine, or process in which TI products or services are used. Information published by TI regarding third-party products or services does not constitute a license from TI to use such products or services or a warranty or endorsement thereof. Use of such information may require a license from a third party under the patents or other intellectual property of the third party, or a license from TI under the patents or other intellectual property of TI.

Reproduction of information in TI data books or data sheets is permissible only if reproduction is without alteration and is accompanied by all associated warranties, conditions, limitations, and notices. Reproduction of this information with alteration is an unfair and deceptive business practice. TI is not responsible or liable for such altered documentation.

Resale of TI products or services with statements different from or beyond the parameters stated by TI for that product or service voids all express and any implied warranties for the associated TI product or service and is an unfair and deceptive business practice. TI is not responsible or liable for any such statements.

### Mailing Address:

Texas Instruments  
Post Office Box 655303  
Dallas, Texas 75265