

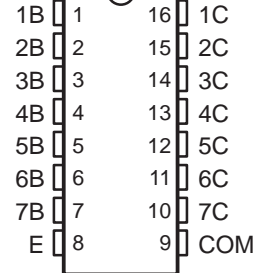
ULN2001A, ULN2002A, ULN2003A, ULN2004A, ULQ2003A, ULQ2004A HIGH-VOLTAGE HIGH-CURRENT DARLINGTON TRANSISTOR ARRAY

SLRS027G – DECEMBER 1976 – REVISED JUNE 2004

The ULN2001A is obsolete
and is no longer supplied.

- 500-mA-Rated Collector Current (Single Output)
- High-Voltage Outputs . . . 50 V
- Output Clamp Diodes
- Inputs Compatible With Various Types of Logic
- Relay-Driver Applications

ULN2001A . . . D OR N PACKAGE
ULN2002A . . . N PACKAGE
ULN2003A . . . D, N, NS, OR PW PACKAGE
ULN2004A . . . D, N, OR NS PACKAGE
ULQ2003A, ULQ2004A . . . D OR N PACKAGE
(TOP VIEW)



description/ordering information

The ULN2001A, ULN2002A, ULN2003A, ULN2004A, ULQ2003A, and ULQ2004A are high-voltage, high-current Darlington transistor arrays. Each consists of seven npn Darlington pairs that feature high-voltage outputs with common-cathode clamp diodes for switching inductive loads. The collector-current rating of a single Darlington pair is 500 mA. The Darlington pairs can be paralleled for higher current capability. Applications include relay drivers, hammer drivers, lamp drivers, display drivers (LED and gas discharge), line drivers, and logic buffers. For 100-V (otherwise interchangeable) versions of the ULN2003A and ULN2004A, see the SN75468 and SN75469, respectively.

ORDERING INFORMATION

| T _A | PACKAGE† | | ORDERABLE PART NUMBER | TOP-SIDE MARKING |
|----------------|------------|--------------|-----------------------|------------------|
| -20°C to 70°C | PDIP (N) | Tube of 25 | ULN2002AN | ULN2002AN |
| | | | ULN2003AN | ULN2003AN |
| | | | ULN2004AN | ULN2004AN |
| | SOIC (D) | Tube of 40 | ULN2003AD | ULN2003A |
| | | | ULN2003ADR | |
| | | Reel of 2500 | ULN2004AD | ULN2004A |
| | | | ULN2004ADR | |
| | SOP (NS) | Reel of 2000 | ULN2003ANSR | ULN2003A |
| | | | ULN2004ANSR | ULN2004A |
| | TSSOP (PW) | Tube of 90 | ULN2003APW | UN2003A |
| ULN2003APWR | | | | |
| -40°C to 85°C | PDIP (N) | Tube of 25 | ULQ2003AN | ULQ2003A |
| | | | ULQ2004AN | ULQ2004AN |
| | SOIC (D) | Tube of 40 | ULQ2003AD | ULQ2003A |
| | | | ULQ2003ADR | |
| | | Reel of 2500 | ULQ2004AD | ULQ2004A |
| | | | ULQ2004ADR | |

† Package drawings, standard packing quantities, thermal data, symbolization, and PCB design guidelines are available at www.ti.com/sc/package.



Please be aware that an important notice concerning availability, standard warranty, and use in critical applications of Texas Instruments semiconductor products and disclaimers thereto appears at the end of this data sheet.

PRODUCTION DATA information is current as of publication date. Products conform to specifications per the terms of Texas Instruments standard warranty. Production processing does not necessarily include testing of all parameters.

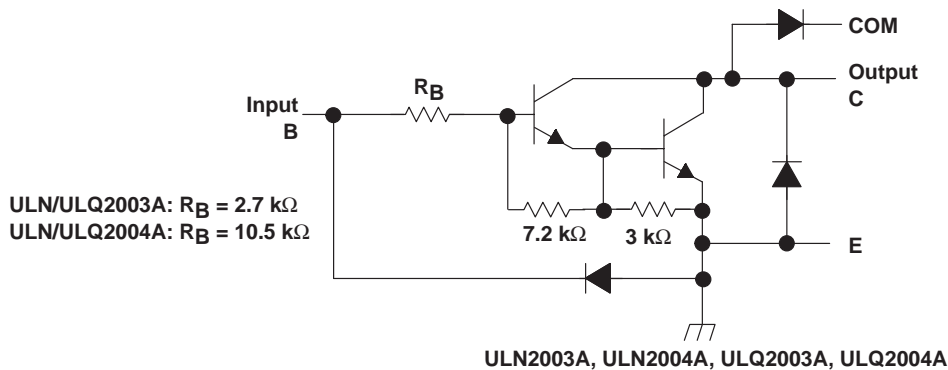
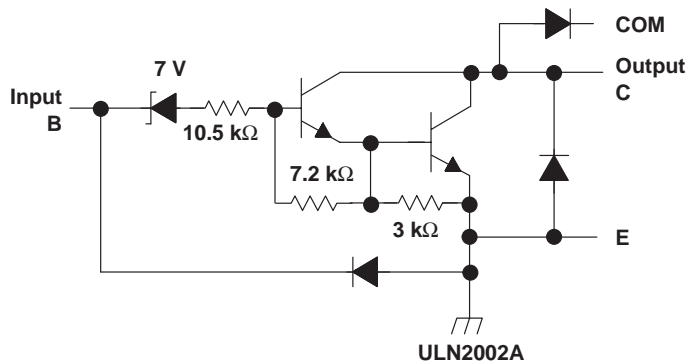
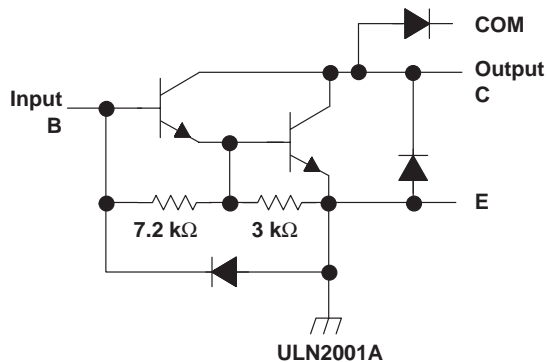
 **TEXAS
INSTRUMENTS**

POST OFFICE BOX 655303 • DALLAS, TEXAS 75265

Copyright © 2004, Texas Instruments Incorporated
On products compliant to MIL-PRF-38535, all parameters are tested unless otherwise noted. On all other products, production processing does not necessarily include testing of all parameters.

The ULN2001A is obsolete
and is no longer supplied.

schematics (each Darlington pair)



All resistor values shown are nominal.

ULN2001A, ULN2002A, ULN2003A, ULN2004A, ULQ2003A, ULQ2004A HIGH-VOLTAGE HIGH-CURRENT DARLINGTON TRANSISTOR ARRAY

SLRS027G – DECEMBER 1976 – REVISED JUNE 2004

The ULN2001A is obsolete
and is no longer supplied.

absolute maximum ratings at 25°C free-air temperature (unless otherwise noted)†

| | |
|---|----------------|
| Collector-emitter voltage | 50 V |
| Clamp diode reverse voltage (see Note 1) | 50 V |
| Input voltage, V_I (see Note 1) | 30 V |
| Peak collector current (see Figures 14 and 15) | 500 mA |
| Output clamp current, I_{OK} | 500 mA |
| Total emitter-terminal current | -2.5 A |
| Operating free-air temperature range, T_A , ULN200xA | -20°C to 70°C |
| ULQ200xA | -40°C to 85°C |
| ULQ200xAT | -40°C to 105°C |
| Package thermal impedance, θ_{JA} (see Notes 2 and 3): D package | 73°C/W |
| N package | 67°C/W |
| NS package | 64°C/W |
| PW package | 108°C/W |
| Package thermal impedance, θ_{JC} (see Notes 4 and 5): D package | 36°C/W |
| N package | 54°C/W |
| Operating virtual junction temperature, T_J | 150°C |
| Lead temperature 1,6 mm (1/16 inch) from case for 10 seconds | 260°C |
| Storage temperature range, T_{stg} | -65°C to 150°C |

† Stresses beyond those listed under “absolute maximum ratings” may cause permanent damage to the device. These are stress ratings only, and functional operation of the device at these or any other conditions beyond those indicated under “recommended operating conditions” is not implied. Exposure to absolute-maximum-rated conditions for extended periods may affect device reliability.

- NOTES:
- All voltage values are with respect to the emitter/substrate terminal E, unless otherwise noted.
 - Maximum power dissipation is a function of $T_J(\max)$, θ_{JA} , and T_A . The maximum allowable power dissipation at any allowable ambient temperature is $P_D = (T_J(\max) - T_A)/\theta_{JA}$. Operating at the absolute maximum T_J of 150°C can affect reliability.
 - The package thermal impedance is calculated in accordance with JEDEC 51-7.
 - Maximum power dissipation is a function of $T_J(\max)$, θ_{JC} , and T_C . The maximum allowable power dissipation at any allowable case temperature is $P_D = (T_J(\max) - T_C)/\theta_{JC}$. Operating at the absolute maximum T_J of 150°C can affect reliability.
 - The package thermal impedance is calculated in accordance with MIL-STD-883.

electrical characteristics, $T_A = 25^\circ\text{C}$ (unless otherwise noted)

| PARAMETER | TEST FIGURE | TEST CONDITIONS | ULN2001A | | | ULN2002A | | | UNIT |
|--|-------------|--|----------|-----|-----|----------|------|---------------|---------------|
| | | | MIN | TYP | MAX | MIN | TYP | MAX | |
| $V_{I(on)}$ On-state input voltage | 6 | $V_{CE} = 2\text{ V}$, $I_C = 300\text{ mA}$ | | | | | | 13 | V |
| $V_{CE(sat)}$ Collector-emitter saturation voltage | 5 | $I_I = 250\ \mu\text{A}$, $I_C = 100\text{ mA}$ | 0.9 | 1.1 | 0.9 | 1.1 | | | V |
| | | $I_I = 350\ \mu\text{A}$, $I_C = 200\text{ mA}$ | 1 | 1.3 | 1 | 1.3 | | | |
| | | $I_I = 500\ \mu\text{A}$, $I_C = 350\text{ mA}$ | 1.2 | 1.6 | 1.2 | 1.6 | | | |
| V_F Clamp forward voltage | 8 | $I_F = 350\text{ mA}$ | 1.7 | 2 | 1.7 | 2 | | V | |
| I_{CEX} Collector cutoff current | 1 | $V_{CE} = 50\text{ V}$, $I_I = 0$ | | | 50 | 50 | | | μA |
| | 2 | $V_{CE} = 50\text{ V}$, $T_A = 70^\circ\text{C}$, $I_I = 0$, $V_I = 6\text{ V}$ | | | 100 | 100 | 500 | | |
| $I_{I(off)}$ Off-state input current | 3 | $V_{CE} = 50\text{ V}$, $T_A = 70^\circ\text{C}$, $I_C = 500\ \mu\text{A}$ | 50 | 65 | 50 | 65 | | μA | |
| I_I Input current | 4 | $V_I = 17\text{ V}$ | | | | 0.82 | 1.25 | mA | |
| I_R Clamp reverse current | 7 | $V_R = 50\text{ V}$, $T_A = 70^\circ\text{C}$ | | | 100 | 100 | | μA | |
| | | $V_R = 50\text{ V}$ | | | 50 | 50 | | | |
| h_{FE} Static forward-current transfer ratio | 5 | $V_{CE} = 2\text{ V}$, $I_C = 350\text{ mA}$ | 1000 | | | | | | |
| C_i Input capacitance | | $V_I = 0$, $f = 1\text{ MHz}$ | 15 | 25 | 15 | 25 | | pF | |



The ULN2001A is obsolete
and is no longer supplied.

electrical characteristics, $T_A = 25^\circ\text{C}$ (unless otherwise noted) (continued)

| PARAMETER | TEST FIGURE | TEST CONDITIONS | | ULN2003A | | | ULN2004A | | | UNIT |
|--|-------------|--|-----------------------|----------|------|------|----------|-----|---------------|------|
| | | | | MIN | TYP | MAX | MIN | TYP | MAX | |
| $V_{I(on)}$ On-state input voltage | 6 | $V_{CE} = 2\text{ V}$ | $I_C = 125\text{ mA}$ | | | | | | 5 | V |
| | | | $I_C = 200\text{ mA}$ | | | 2.4 | | | 6 | |
| | | | $I_C = 250\text{ mA}$ | | | 2.7 | | | | |
| | | | $I_C = 275\text{ mA}$ | | | | | | 7 | |
| | | | $I_C = 300\text{ mA}$ | | | 3 | | | | |
| | | | $I_C = 350\text{ mA}$ | | | | | | 8 | |
| $V_{CE(sat)}$ Collector-emitter saturation voltage | 5 | $I_I = 250\ \mu\text{A}$, $I_C = 100\text{ mA}$ | | 0.9 | 1.1 | | 0.9 | 1.1 | V | |
| | | $I_I = 350\ \mu\text{A}$, $I_C = 200\text{ mA}$ | | 1 | 1.3 | | 1 | 1.3 | | |
| | | $I_I = 500\ \mu\text{A}$, $I_C = 350\text{ mA}$ | | 1.2 | 1.6 | | 1.2 | 1.6 | | |
| I_{CEX} Collector cutoff current | 1 | $V_{CE} = 50\text{ V}$, $I_I = 0$ | | | 50 | | | 50 | μA | |
| | 2 | $V_{CE} = 50\text{ V}$, $T_A = 70^\circ\text{C}$, $V_I = 1\text{ V}$ | | | 100 | | | 100 | | |
| V_F Clamp forward voltage | 8 | $I_F = 350\text{ mA}$ | | 1.7 | 2 | | 1.7 | 2 | V | |
| $I_{I(off)}$ Off-state input current | 3 | $V_{CE} = 50\text{ V}$, $T_A = 70^\circ\text{C}$, $I_C = 500\ \mu\text{A}$ | 50 | 65 | | 50 | 65 | | μA | |
| I_I Input current | 4 | $V_I = 3.85\text{ V}$ | | 0.93 | 1.35 | | | | mA | |
| | | $V_I = 5\text{ V}$ | | | | 0.35 | 0.5 | | | |
| | | $V_I = 12\text{ V}$ | | | | 1 | 1.45 | | | |
| I_R Clamp reverse current | 7 | $V_R = 50\text{ V}$ | | | 50 | | | 50 | μA | |
| | | $V_R = 50\text{ V}$, $T_A = 70^\circ\text{C}$ | | | 100 | | | 100 | | |
| C_i Input capacitance | | $V_I = 0$, $f = 1\text{ MHz}$ | | 15 | 25 | | 15 | 25 | pF | |

ULN2001A, ULN2002A, ULN2003A, ULN2004A, ULQ2003A, ULQ2004A
HIGH-VOLTAGE HIGH-CURRENT
DARLINGTON TRANSISTOR ARRAY

SLRS027G – DECEMBER 1976 – REVISED JUNE 2004

The ULN2001A is obsolete
and is no longer supplied.

electrical characteristics over recommended operating conditions (unless otherwise noted)

| PARAMETER | TEST FIGURE | TEST CONDITIONS | | ULQ2003A | | | ULQ2004A | | | UNIT |
|---|-------------|--|-------------------------|----------|------|-----|----------|------|-----|------|
| | | | | MIN | TYP | MAX | MIN | TYP | MAX | |
| V _{I(on)} On-state input voltage | 6 | V _{CE} = 2 V | I _C = 125 mA | | | | | | 5 | V |
| | | | I _C = 200 mA | | | | | | 6 | |
| | | | I _C = 250 mA | | | | | | 2.7 | |
| | | | I _C = 275 mA | | | | | | 2.9 | |
| | | | I _C = 300 mA | | | | | | 3 | |
| | | | I _C = 350 mA | | | | | | 7 | |
| V _{CE(sat)} Collector-emitter saturation voltage | 5 | I _I = 250 μA, I _C = 100 mA | | 0.9 | 1.2 | | 0.9 | 1.1 | V | |
| | | I _I = 350 μA, I _C = 200 mA | | 1 | 1.4 | | 1 | 1.3 | | |
| | | I _I = 500 μA, I _C = 350 mA | | 1.2 | 1.7 | | 1.2 | 1.6 | | |
| I _{CEX} Collector cutoff current | 1 | V _{CE} = 50 V, I _I = 0 | | | | | | 100 | μA | |
| | 2 | V _{CE} = 50 V, I _I = 0 V _I = 1 V | | | | | | 500 | | |
| V _F Clamp forward voltage | 8 | I _F = 350 mA | | 1.7 | 2.3 | | 1.7 | 2 | V | |
| I _{I(off)} Off-state input current | 3 | V _{CE} = 50 V, I _C = 500 μA | | 65 | | 50 | 65 | | μA | |
| I _I Input current | 4 | V _I = 3.85 V | | 0.93 | 1.35 | | | | mA | |
| | | V _I = 5 V | | | | | 0.35 | 0.5 | | |
| | | V _I = 12 V | | | | | 1 | 1.45 | | |
| I _R Clamp reverse current | 7 | V _R = 50 V, T _A = 25°C | | | 100 | | | 50 | μA | |
| | | V _R = 50 V | | | 100 | | | 100 | | |
| C _i Input capacitance | | V _I = 0, f = 1 MHz | | 15 | 25 | | 15 | 25 | pF | |

switching characteristics, T_A = 25°C

| PARAMETER | TEST CONDITIONS | ULN2001A, ULN2002A, ULN2003A, ULN2004A | | | UNIT |
|--|---|--|--------------------|-----|------|
| | | MIN | TYP | MAX | |
| t _{PLH} Propagation delay time, low- to high-level output | See Figure 9 | | 0.25 | 1 | μs |
| t _{PHL} Propagation delay time, high- to low-level output | See Figure 9 | | 0.25 | 1 | μs |
| V _{OH} High-level output voltage after switching | V _S = 50 V, I _O ≈ 300 mA, See Figure 10 | | V _S -20 | | mV |

switching characteristics over recommended operating conditions (unless otherwise noted)

| PARAMETER | TEST CONDITIONS | ULQ2003A, ULQ2004A | | | UNIT |
|--|---|--------------------|---------------------|-----|------|
| | | MIN | TYP | MAX | |
| t _{PLH} Propagation delay time, low- to high-level output | See Figure 9 | | 1 | 10 | μs |
| t _{PHL} Propagation delay time, high- to low-level output | See Figure 9 | | 1 | 10 | μs |
| V _{OH} High-level output voltage after switching | V _S = 50 V, I _O ≈ 300 mA, See Figure 10 | | V _S -500 | | mV |



The ULN2001A is obsolete and is no longer supplied.

PARAMETER MEASUREMENT INFORMATION

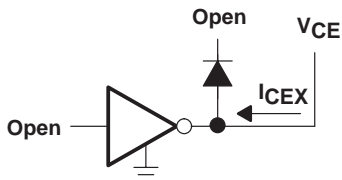


Figure 1. I_{CEX} Test Circuit

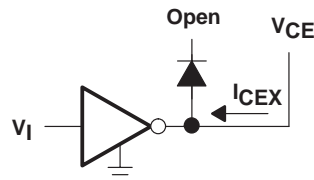


Figure 2. I_{CEX} Test Circuit

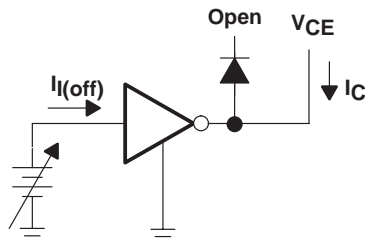


Figure 3. $I_{I(off)}$ Test Circuit

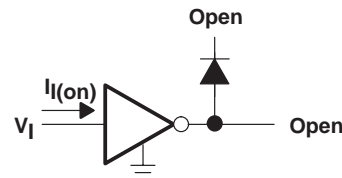
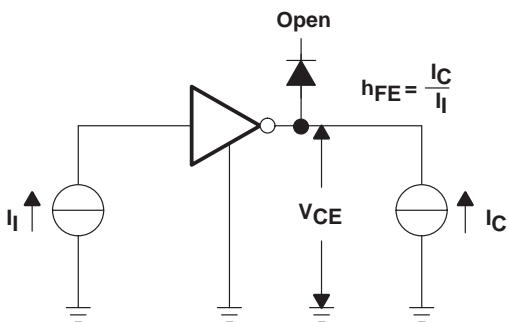


Figure 4. I_I Test Circuit



NOTE: I_I is fixed for measuring $V_{CE(sat)}$, variable for measuring h_{FE} .

Figure 5. h_{FE} , $V_{CE(sat)}$ Test Circuit

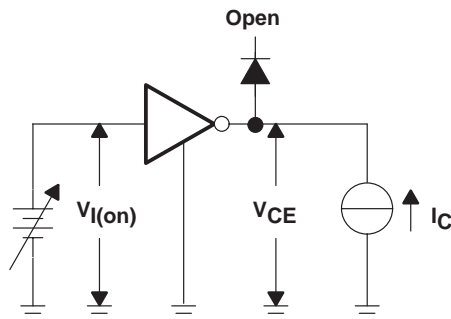


Figure 6. $V_{I(on)}$ Test Circuit

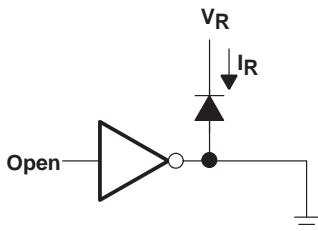


Figure 7. I_R Test Circuit

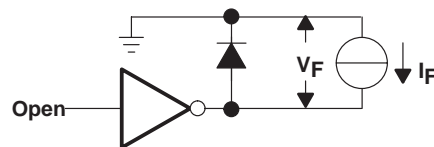


Figure 8. V_F Test Circuit

ULN2001A, ULN2002A, ULN2003A, ULN2004A, ULQ2003A, ULQ2004A
HIGH-VOLTAGE HIGH-CURRENT
DARLINGTON TRANSISTOR ARRAY

SLRS027G – DECEMBER 1976 – REVISED JUNE 2004

The ULN2001A is obsolete
 and is no longer supplied.

PARAMETER MEASUREMENT INFORMATION

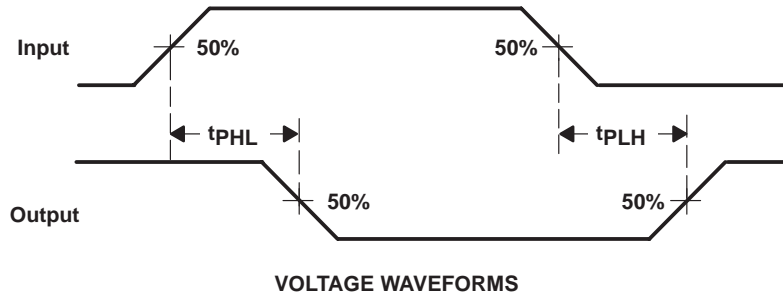
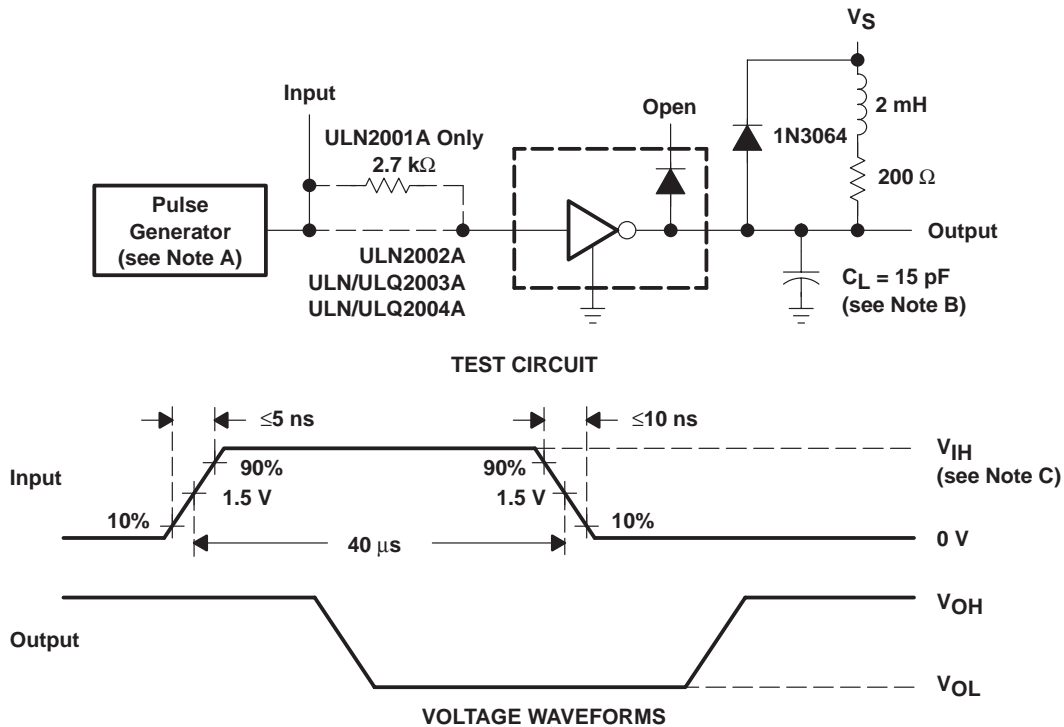


Figure 9. Propagation Delay-Time Waveforms



- NOTES: A. The pulse generator has the following characteristics: PRR = 12.5 kHz, $Z_O = 50 \Omega$.
 B. C_L includes probe and jig capacitance.
 C. For testing the ULN2001A, the ULN2003A, and the ULQ2003A, $V_{IH} = 3 \text{ V}$; for the ULN2002A, $V_{IH} = 13 \text{ V}$; for the ULN2004A and the ULQ2004A, $V_{IH} = 8 \text{ V}$.

Figure 10. Latch-Up Test Circuit and Voltage Waveforms

The ULN2001A is obsolete and is no longer supplied.

TYPICAL CHARACTERISTICS

**COLLECTOR-EMITTER SATURATION VOLTAGE
vs
COLLECTOR CURRENT
(ONE DARLINGTON)**

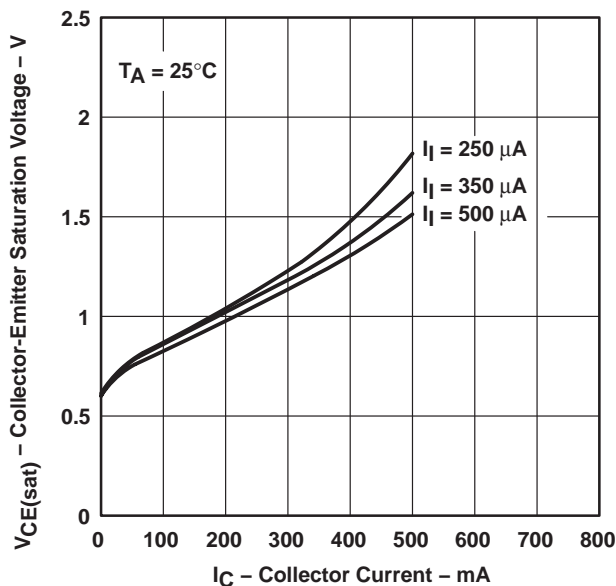


Figure 11

**COLLECTOR-EMITTER SATURATION VOLTAGE
vs
TOTAL COLLECTOR CURRENT
(TWO DARLINGTONS IN PARALLEL)**

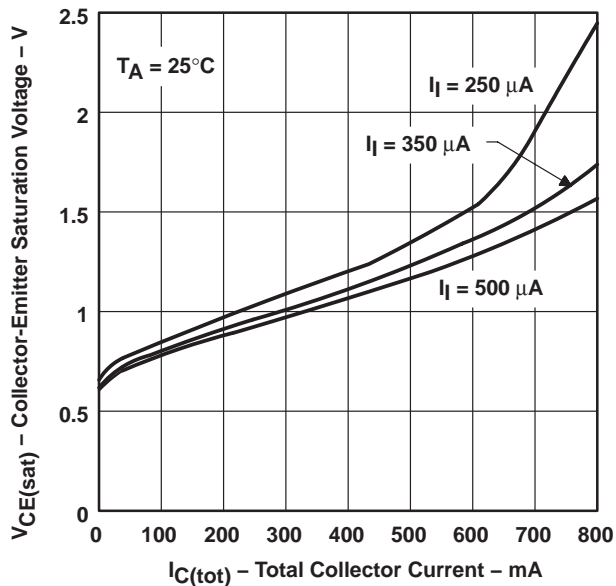


Figure 12

**COLLECTOR CURRENT
vs
INPUT CURRENT**

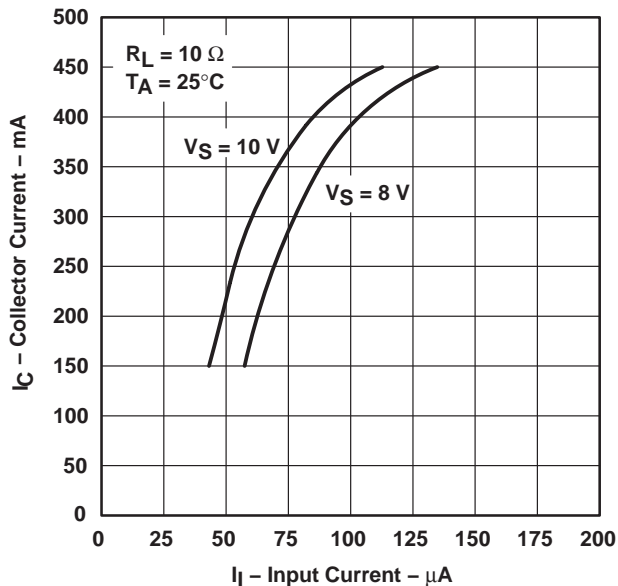


Figure 13

ULN2001A, ULN2002A, ULN2003A, ULN2004A, ULQ2003A, ULQ2004A
HIGH-VOLTAGE HIGH-CURRENT
DARLINGTON TRANSISTOR ARRAY

SLRS027G – DECEMBER 1976 – REVISED JUNE 2004

The ULN2001A is obsolete
 and is no longer supplied.

THERMAL INFORMATION

D PACKAGE
MAXIMUM COLLECTOR CURRENT
vs
DUTY CYCLE

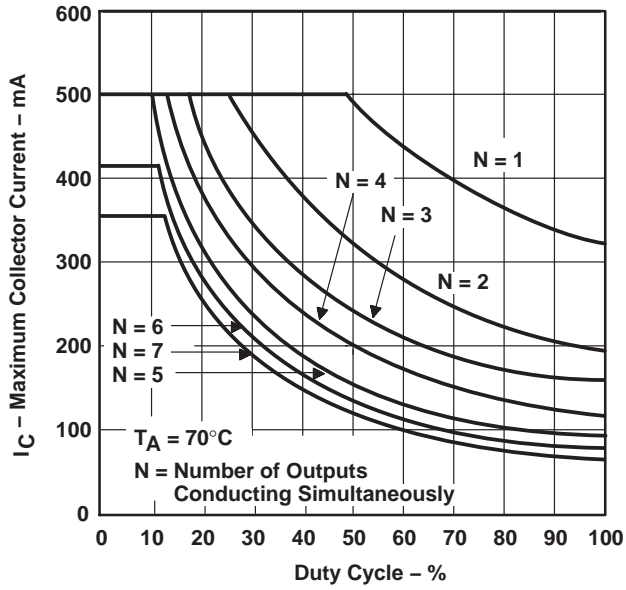


Figure 14

N PACKAGE
MAXIMUM COLLECTOR CURRENT
vs
DUTY CYCLE

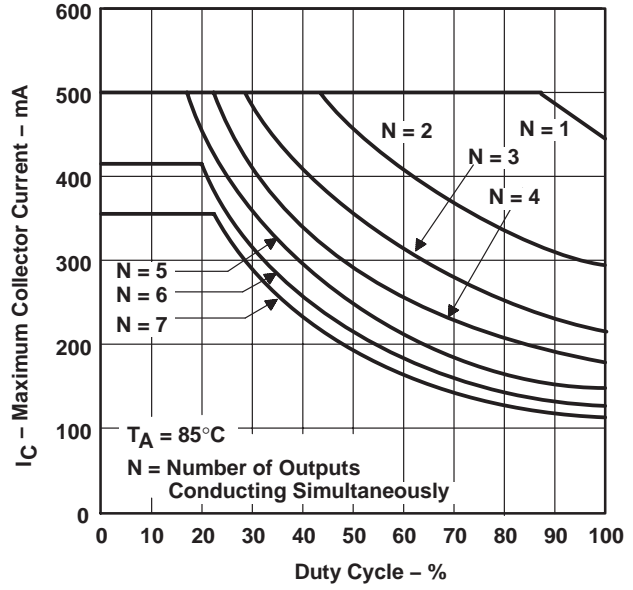


Figure 15

The ULN2001A is obsolete
and is no longer supplied.

APPLICATION INFORMATION

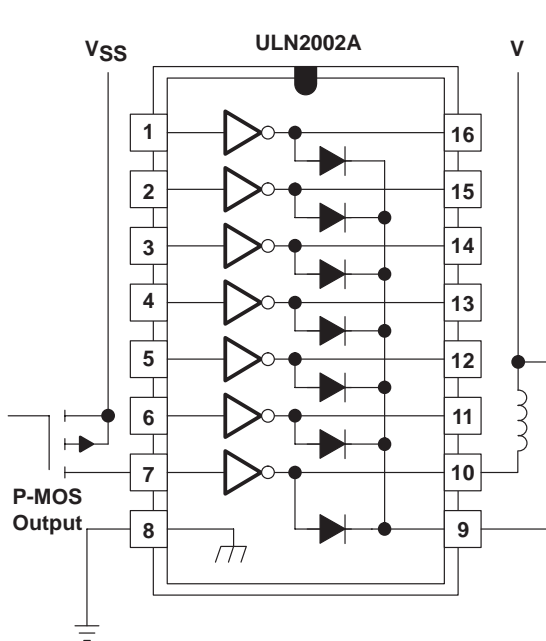


Figure 16. P-MOS to Load

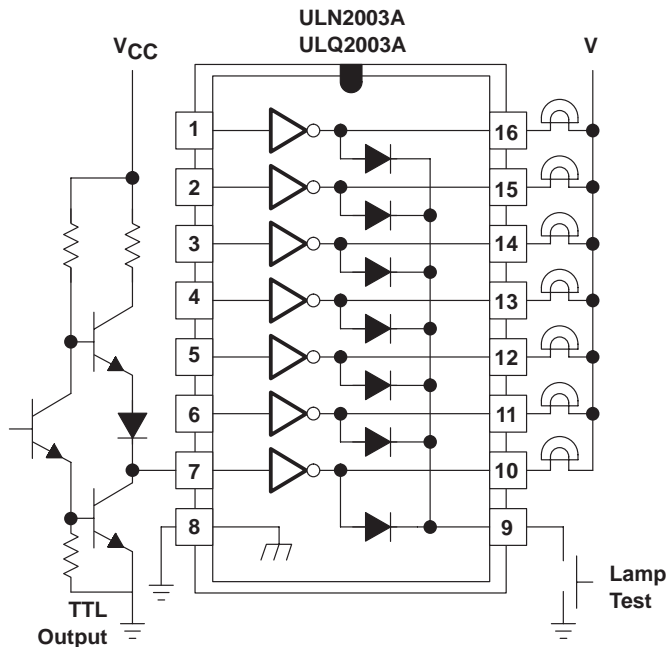


Figure 17. TTL to Load

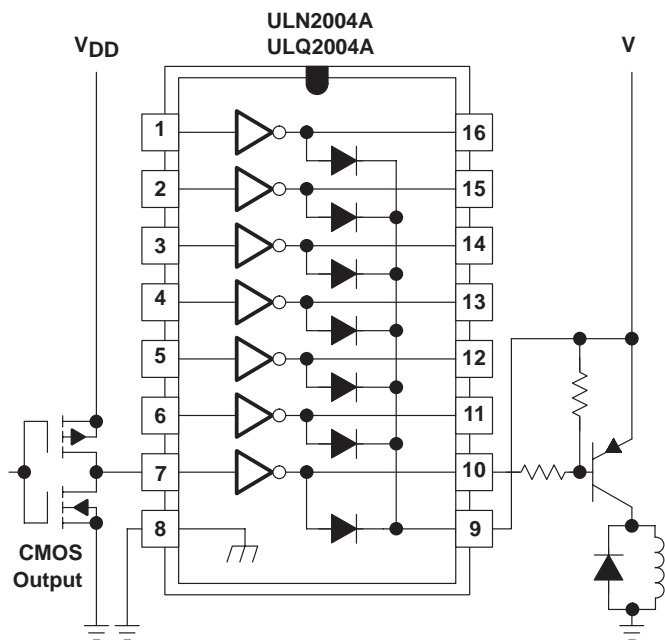
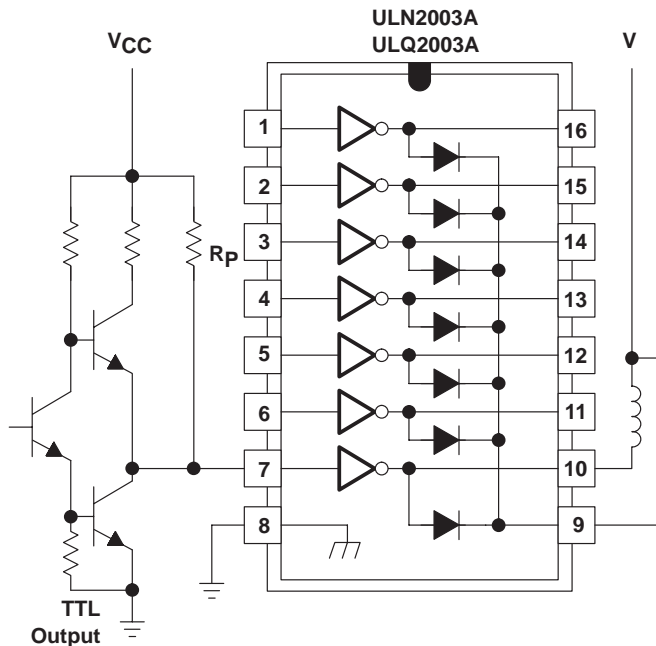


Figure 18. Buffer for Higher Current Loads



**Figure 19. Use of Pullup Resistors
to Increase Drive Current**

PACKAGING INFORMATION

| Orderable Device | Status ⁽¹⁾ | Package Type | Package Drawing | Pins | Package Qty | Eco Plan ⁽²⁾ | Lead/Ball Finish | MSL Peak Temp ⁽³⁾ |
|------------------|-----------------------|--------------|-----------------|------|-------------|-------------------------|------------------|--|
| ULN2001AD | OBSOLETE | SOIC | D | 16 | | None | Call TI | Call TI |
| ULN2001ADR | OBSOLETE | SOIC | D | 16 | | None | Call TI | Call TI |
| ULN2001AN | OBSOLETE | PDIP | N | 16 | | None | Call TI | Call TI |
| ULN2002AD | OBSOLETE | SOIC | D | 16 | | None | Call TI | Call TI |
| ULN2002AN | ACTIVE | PDIP | N | 16 | 25 | Pb-Free (RoHS) | CU NIPDAU | Level-NC-NC-NC |
| ULN2003AD | ACTIVE | SOIC | D | 16 | 40 | Pb-Free (RoHS) | CU NIPDAU | Level-2-260C-1 YEAR/ Level-1-235C-UNLIM |
| ULN2003ADR | ACTIVE | SOIC | D | 16 | 2500 | Green (RoHS & no Sb/Br) | Call TI | Level-1-260C-UNLIM |
| ULN2003AJ | OBSOLETE | CDIP | J | 16 | | None | Call TI | Call TI |
| ULN2003AN | ACTIVE | PDIP | N | 16 | 25 | Pb-Free (RoHS) | CU NIPDAU | Level-NC-NC-NC |
| ULN2003ANSR | ACTIVE | SO | NS | 16 | 2000 | Pb-Free (RoHS) | CU NIPDAU | Level-2-260C-1 YEAR/ Level-1-235C-UNLIM |
| ULN2003APW | ACTIVE | TSSOP | PW | 16 | 90 | Pb-Free (RoHS) | CU NIPDAU | Level-1-250C-UNLIM |
| ULN2003APWR | ACTIVE | TSSOP | PW | 16 | 2000 | Pb-Free (RoHS) | CU NIPDAU | Level-1-250C-UNLIM |
| ULN2004AD | ACTIVE | SOIC | D | 16 | 40 | Pb-Free (RoHS) | CU NIPDAU | Level-2-260C-1 YEAR/ Level-1-235C-UNLIM |
| ULN2004ADR | ACTIVE | SOIC | D | 16 | 2500 | Green (RoHS & no Sb/Br) | Call TI | Level-1-260C-UNLIM |
| ULN2004AN | ACTIVE | PDIP | N | 16 | 25 | Pb-Free (RoHS) | CU NIPDAU | Level-NC-NC-NC |
| ULN2004ANSR | ACTIVE | SO | NS | 16 | 2000 | Pb-Free (RoHS) | CU NIPDAU | Level-2-260C-1 YEAR/ Level-1-235C-UNLIM |
| ULQ2003AD | ACTIVE | SOIC | D | 16 | 40 | Pb-Free (RoHS) | CU NIPDAU | Level-2-250C-1 YEAR/ Level-1-235C-UNLIM |
| ULQ2003ADR | ACTIVE | SOIC | D | 16 | 2500 | Pb-Free (RoHS) | CU NIPDAU | Level-2-250C-1 YEAR/ Level-1-235C-UNLIM |
| ULQ2003AN | ACTIVE | PDIP | N | 16 | 25 | None | Call TI | Level-NC-NC-NC |
| ULQ2004AD | ACTIVE | SOIC | D | 16 | 40 | Pb-Free (RoHS) | CU NIPDAU | Level-2-250C-1 YEAR/ Level-1-235C-UNLIM |
| ULQ2004ADR | ACTIVE | SOIC | D | 16 | 2500 | Pb-Free (RoHS) | CU NIPDAU | Level-2-250C-1 YEAR/ Level-1-235C-UNLIM |
| ULQ2004AN | ACTIVE | PDIP | N | 16 | 25 | None | Call TI | Level-NC-NC-NC |

⁽¹⁾ The marketing status values are defined as follows:

ACTIVE: Product device recommended for new designs.

LIFEBUY: TI has announced that the device will be discontinued, and a lifetime-buy period is in effect.

NRND: Not recommended for new designs. Device is in production to support existing customers, but TI does not recommend using this part in a new design.

PREVIEW: Device has been announced but is not in production. Samples may or may not be available.

OBSOLETE: TI has discontinued the production of the device.

⁽²⁾ Eco Plan - May not be currently available - please check <http://www.ti.com/productcontent> for the latest availability information and additional product content details.

None: Not yet available Lead (Pb-Free).

Pb-Free (RoHS): TI's terms "Lead-Free" or "Pb-Free" mean semiconductor products that are compatible with the current RoHS requirements

for all 6 substances, including the requirement that lead not exceed 0.1% by weight in homogeneous materials. Where designed to be soldered at high temperatures, TI Pb-Free products are suitable for use in specified lead-free processes.

Green (RoHS & no Sb/Br): TI defines "Green" to mean "Pb-Free" and in addition, uses package materials that do not contain halogens, including bromine (Br) or antimony (Sb) above 0.1% of total product weight.

⁽³⁾ MSL, Peak Temp. -- The Moisture Sensitivity Level rating according to the JEDEC industry standard classifications, and peak solder temperature.

Important Information and Disclaimer: The information provided on this page represents TI's knowledge and belief as of the date that it is provided. TI bases its knowledge and belief on information provided by third parties, and makes no representation or warranty as to the accuracy of such information. Efforts are underway to better integrate information from third parties. TI has taken and continues to take reasonable steps to provide representative and accurate information but may not have conducted destructive testing or chemical analysis on incoming materials and chemicals. TI and TI suppliers consider certain information to be proprietary, and thus CAS numbers and other limited information may not be available for release.

In no event shall TI's liability arising out of such information exceed the total purchase price of the TI part(s) at issue in this document sold by TI to Customer on an annual basis.

N (R-PDIP-T**)

PLASTIC DUAL-IN-LINE PACKAGE

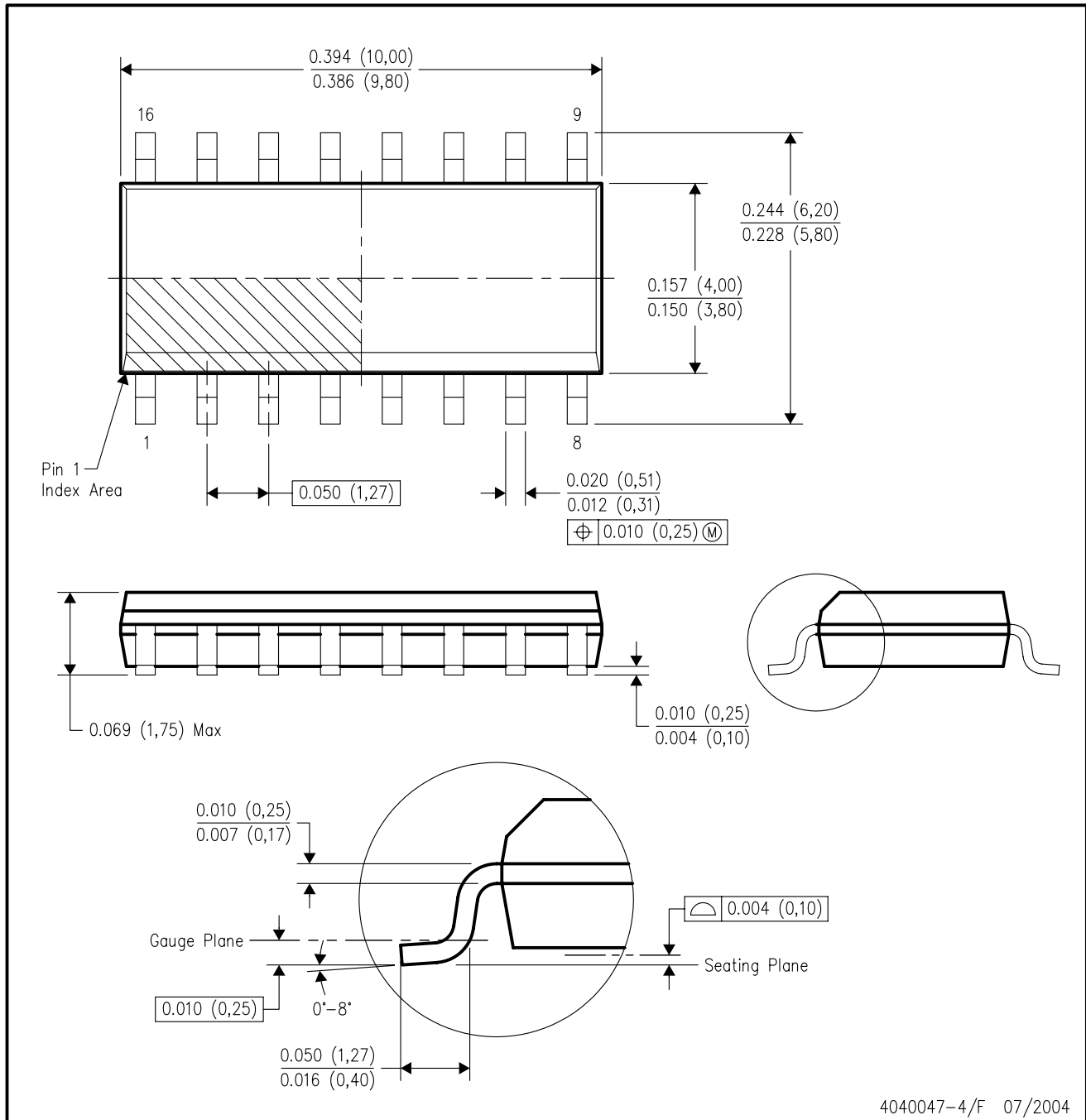
16 PINS SHOWN



- NOTES:
- A. All linear dimensions are in inches (millimeters).
 - B. This drawing is subject to change without notice.
 - Falls within JEDEC MS-001, except 18 and 20 pin minimum body length (Dim A).
 - The 20 pin end lead shoulder width is a vendor option, either half or full width.

D (R-PDSO-G16)

PLASTIC SMALL-OUTLINE PACKAGE



- NOTES:
- A. All linear dimensions are in inches (millimeters).
 - B. This drawing is subject to change without notice.
 - C. Body dimensions do not include mold flash or protrusion not to exceed 0.006 (0,15).
 - D. Falls within JEDEC MS-012 variation AC.

MECHANICAL DATA

NS (R-PDSO-G**)

PLASTIC SMALL-OUTLINE PACKAGE

14-PINS SHOWN



- NOTES:
- A. All linear dimensions are in millimeters.
 - B. This drawing is subject to change without notice.
 - C. Body dimensions do not include mold flash or protrusion, not to exceed 0,15.

PW (R-PDSO-G**)

PLASTIC SMALL-OUTLINE PACKAGE

14 PINS SHOWN



4040064/F 01/97

- NOTES: A. All linear dimensions are in millimeters.
 B. This drawing is subject to change without notice.
 C. Body dimensions do not include mold flash or protrusion not to exceed 0,15.
 D. Falls within JEDEC MO-153

IMPORTANT NOTICE

Texas Instruments Incorporated and its subsidiaries (TI) reserve the right to make corrections, modifications, enhancements, improvements, and other changes to its products and services at any time and to discontinue any product or service without notice. Customers should obtain the latest relevant information before placing orders and should verify that such information is current and complete. All products are sold subject to TI's terms and conditions of sale supplied at the time of order acknowledgment.

TI warrants performance of its hardware products to the specifications applicable at the time of sale in accordance with TI's standard warranty. Testing and other quality control techniques are used to the extent TI deems necessary to support this warranty. Except where mandated by government requirements, testing of all parameters of each product is not necessarily performed.

TI assumes no liability for applications assistance or customer product design. Customers are responsible for their products and applications using TI components. To minimize the risks associated with customer products and applications, customers should provide adequate design and operating safeguards.

TI does not warrant or represent that any license, either express or implied, is granted under any TI patent right, copyright, mask work right, or other TI intellectual property right relating to any combination, machine, or process in which TI products or services are used. Information published by TI regarding third-party products or services does not constitute a license from TI to use such products or services or a warranty or endorsement thereof. Use of such information may require a license from a third party under the patents or other intellectual property of the third party, or a license from TI under the patents or other intellectual property of TI.

Reproduction of information in TI data books or data sheets is permissible only if reproduction is without alteration and is accompanied by all associated warranties, conditions, limitations, and notices. Reproduction of this information with alteration is an unfair and deceptive business practice. TI is not responsible or liable for such altered documentation.

Resale of TI products or services with statements different from or beyond the parameters stated by TI for that product or service voids all express and any implied warranties for the associated TI product or service and is an unfair and deceptive business practice. TI is not responsible or liable for any such statements.

Following are URLs where you can obtain information on other Texas Instruments products and application solutions:

| Products | | Applications | |
|------------------|--|---------------------|--|
| Amplifiers | amplifier.ti.com | Audio | www.ti.com/audio |
| Data Converters | dataconverter.ti.com | Automotive | www.ti.com/automotive |
| DSP | dsp.ti.com | Broadband | www.ti.com/broadband |
| Interface | interface.ti.com | Digital Control | www.ti.com/digitalcontrol |
| Logic | logic.ti.com | Military | www.ti.com/military |
| Power Mgmt | power.ti.com | Optical Networking | www.ti.com/opticalnetwork |
| Microcontrollers | microcontroller.ti.com | Security | www.ti.com/security |
| | | Telephony | www.ti.com/telephony |
| | | Video & Imaging | www.ti.com/video |
| | | Wireless | www.ti.com/wireless |

Mailing Address: Texas Instruments
Post Office Box 655303 Dallas, Texas 75265