

IRF830

Power Field Effect Transistor

N-Channel Enhancement Mode Silicon Gate TMOS



ON Semiconductor

<http://onsemi.com>

This TMOS Power FET is designed for high voltage, high speed power switching applications such as switching regulators, converters, solenoid and relay drivers.

- Silicon Gate for Fast Switching Speeds
- Low $R_{DS(on)}$ to Minimize On-Losses, Specified at Elevated Temperature
- Rugged — SOA is Power Dissipation Limited
- Source-to-Drain Diode Characterized for Use with Inductive Loads

TMOS POWER FET
4.5 AMPERES, 500 VOLTS

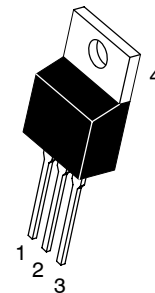
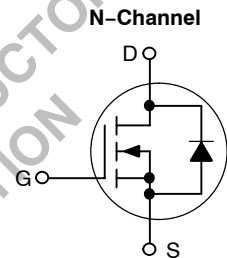
$R_{DS(on)} = 1.5 \Omega$

MAXIMUM RATINGS

Rating	Symbol	Value	Unit
Drain-Source Voltage	V_{DSS}	500	Vdc
Drain-Gate Voltage ($R_{GS} = 1.0 M\Omega$)	V_{DGR}	500	Vdc
Gate-Source Voltage	V_{GS}	± 20	Vdc
Drain Current	I_D		Adc
Continuous, $T_C = 25^\circ C$		4.5	
$T_C = 100^\circ C$		3.0	
Peak, $T_C = 25^\circ C$		18	
Total Power Dissipation @ $T_C = 25^\circ C$ Derate above $25^\circ C$	P_D	75 0.6	Watts W/ $^\circ C$
Operating and Storage Temperature Range	T_J, T_{stg}	-55 to 150	$^\circ C$

THERMAL CHARACTERISTICS

Thermal Resistance			$^\circ C/W$
— Junction-to-Case	$R_{\theta JC}$	1.67	
— Junction-to-Ambient	$R_{\theta JA}$	62.5	
Maximum Lead Temperature for Soldering Purposes, 1/8" from Case for 5 Seconds	T_L	300	$^\circ C$



TO-220AB
CASE 221A
STYLE 5

PIN ASSIGNMENT

1	Gate
2	Drain
3	Source
4	Drain

ORDERING INFORMATION

Device	Package	Shipping
IRF830	TO-220AB	50 Units/Rail

See the MTM4N45 Data Sheet for a complete set of design curves for the product on this data sheet. Design curves of the MTP4N45 are applicable for this product.

IRF830

ELECTRICAL CHARACTERISTICS (T_C = 25°C unless otherwise noted)

Characteristic	Symbol	Min	Max	Unit
----------------	--------	-----	-----	------

OFF CHARACTERISTICS

Drain-to-Source Breakdown Voltage (V _{GS} = 0 Vdc, I _D = 0.25 mAdc)	V _{(BR)DSS}	500	—	Vdc
Zero Gate Voltage Drain Current (V _{DS} = Rated V _{DSS} , V _{GS} = 0 Vdc) (V _{DS} = 0.8 Rated V _{DSS} , V _{GS} = 0 Vdc, T _J = 125°C)	I _{DSS}	—	0.2 1.0	mAdc
Gate-Body Leakage Current, Forward (V _{GSF} = 20 Vdc, V _{DS} = 0)	I _{GSS(f)}	—	100	nAdc
Gate-Body Leakage Current, Reverse (V _{GSR} = 20 Vdc, V _{DS} = 0)	I _{GSS(r)}	—	100	nAdc

ON CHARACTERISTICS (1)

Gate Threshold Voltage (V _{DS} = V _{GS} , I _D = 0.25 mA)	V _{GS(th)}	2.0	4.0	Vdc
Static Drain-to-Source On-Resistance (V _{GS} = 10 Vdc, I _D = 2.5 Adc)	R _{DS(on)}	—	1.5	Ohm
On-State Drain Current (V _{GS} = 10 V) (V _{DS} ≥ 6.75 Vdc)	I _{D(on)}	4.5	—	Adc
Forward Transconductance (V _{DS} ≥ 6.75 Vdc, I _D = 2.5 Adc)	g _{FS}	2.5	—	mhos

DYNAMIC CHARACTERISTICS

Input Capacitance	(V _{DS} = 25 Vdc, V _{GS} = 0 Vdc, f = 1.0 MHz)	C _{iss}	—	800	pF
Output Capacitance		C _{oss}	—	200	
Reverse Transfer Capacitance		C _{rss}	—	60	

SWITCHING CHARACTERISTICS (1)

Turn-On Delay Time	(V _{DD} = 200 Vdc, I _D = 2.5 Apk, R _G = 15 Ω)	t _{d(on)}	—	30	ns
Rise Time		t _r	—	30	
Turn-Off Delay Time		t _{d(off)}	—	55	
Fall Time		t _f	—	30	
Total Gate Charge	(V _{DS} = 0.8 Rated V _{DSS} , V _{GS} = 10 Vdc, I _D = Rated I _D)	Q _g	22 (Typ)	30	nC
Gate-Source Charge		Q _{gs}	12 (Typ)	—	
Gate-Drain Charge		Q _{gd}	10 (Typ)	—	

SOURCE-DRAIN DIODE CHARACTERISTICS (1)

Forward On-Voltage	(I _S = Rated I _D , V _{GS} = 0)	V _{SD}	1.1 (Typ)	1.6	Vdc
Forward Turn-On Time		t _{on}	Limited by stray inductance		
Reverse Recovery Time		t _{rr}	450 (Typ)	—	ns

INTERNAL PACKAGE INDUCTANCE

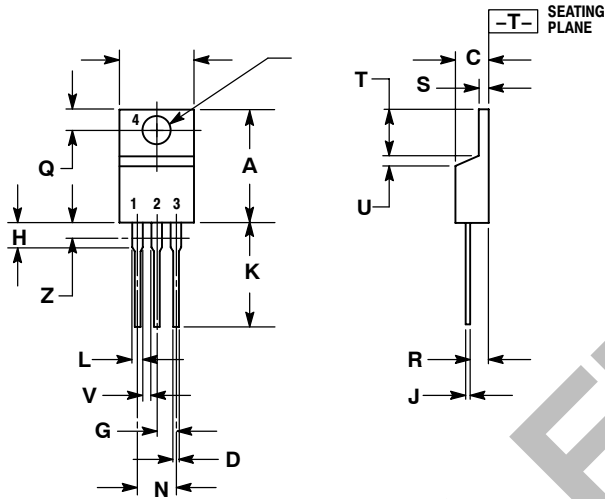
Internal Drain Inductance (Measured from the contact screw on tab to center of die) (Measured from the drain lead 0.25" from package to center of die)	L _D	3.5 (Typ) 4.5 (Typ)	—	—	nH
Internal Source Inductance (Measured from the source lead 0.25" from package to source bond pad)	L _S	7.5 (Typ)	—	—	

(1) Pulse Test: Pulse Width ≤ 300 μs, Duty Cycle ≤ 2%.

IRF830

PACKAGE DIMENSIONS

TO-220AB
CASE 221A-09
ISSUE Z



NOTES:

1. DIMENSIONING AND TOLERANCING PER ANSI Y14.5M, 1982.
2. CONTROLLING DIMENSION: INCH.
3. DIMENSION Z DEFINES A ZONE WHERE ALL BODY AND LEAD IRREGULARITIES ARE ALLOWED.

DIM	INCHES		MILLIMETERS	
	MIN	MAX	MIN	MAX
A	0.570	0.620	14.48	15.75
B	0.380	0.405	9.66	10.28
C	0.160	0.190	4.07	4.82
D	0.025	0.035	0.64	0.88
F	0.142	0.147	3.61	3.73
G	0.095	0.105	2.42	2.66
H	0.110	0.155	2.80	3.93
J	0.018	0.025	0.46	0.64
K	0.500	0.562	12.70	14.27
L	0.045	0.060	1.15	1.52
N	0.190	0.210	4.83	5.33
Q	0.100	0.120	2.54	3.04
R	0.080	0.110	2.04	2.79
S	0.045	0.055	1.15	1.39
T	0.235	0.255	5.97	6.47
U	0.000	0.050	0.00	1.27
V	0.045	---	1.15	---
Z	---	0.080	---	2.04

STYLE 5:

- PIN 1: GATE
2: DRAIN
3: SOURCE
4: DRAIN

E-FET is a trademark of Semiconductor Components Industries, LLC.
TMOS is a registered trademark of Semiconductor Components Industries, LLC.

ON Semiconductor and are registered trademarks of Semiconductor Components Industries, LLC (SCILLC). SCILLC reserves the right to make changes without further notice to any products herein. SCILLC makes no warranty, representation or guarantee regarding the suitability of its products for any particular purpose, nor does SCILLC assume any liability arising out of the application or use of any product or circuit, and specifically disclaims any and all liability, including without limitation special, consequential or incidental damages. "Typical" parameters which may be provided in SCILLC data sheets and/or specifications can and do vary in different applications and actual performance may vary over time. All operating parameters, including "Typicals" must be validated for each customer application by customer's technical experts. SCILLC does not convey any license under its patent rights nor the rights of others. SCILLC products are not designed, intended, or authorized for use as components in systems intended for surgical implant into the body, or other applications intended to support or sustain life, or for any other application in which the failure of the SCILLC product could create a situation where personal injury or death may occur. Should Buyer purchase or use SCILLC products for any such unintended or unauthorized application, Buyer shall indemnify and hold SCILLC and its officers, employees, subsidiaries, affiliates, and distributors harmless against all claims, costs, damages, and expenses, and reasonable attorney fees arising out of, directly or indirectly, any claim of personal injury or death associated with such unintended or unauthorized use, even if such claim alleges that SCILLC was negligent regarding the design or manufacture of the part. SCILLC is an Equal Opportunity/Affirmative Action Employer. This literature is subject to all applicable copyright laws and is not for resale in any manner.

PUBLICATION ORDERING INFORMATION

LITERATURE FULFILLMENT:
Literature Distribution Center for ON Semiconductor
P.O. Box 5163, Denver, Colorado 80217 USA
Phone: 303-675-2175 or 800-344-3860 Toll Free USA/Canada
Fax: 303-675-2176 or 800-344-3867 Toll Free USA/Canada
Email: orderlit@onsemi.com

N. American Technical Support: 800-282-9855 Toll Free
USA/Canada
Europe, Middle East and Africa Technical Support:
Phone: 421 33 790 2910
Japan Customer Focus Center
Phone: 81-3-5773-3850

ON Semiconductor Website: www.onsemi.com
Order Literature: <http://www.onsemi.com/orderlit>
For additional information, please contact your local Sales Representative