

## EPT21/23/25 ECLinPS Plus™ Translator TTL output SPICE Modeling Kit

Prepared by:  
Senad Lomigora, Paul Shockman  
ON Semiconductor Broadband Applications Engineering



ON Semiconductor®

<http://onsemi.com>

### APPLICATION NOTE

#### Objective

The objective of this kit is to provide customers with enough circuit schematic and SPICE parameter information to allow them to perform system level interconnect modeling for the current devices of the ECLinPS Plus logic line, ON Semiconductor's high performance ECL family. **The kit is not intended to provide information necessary to perform circuit level modeling on ECLinPS Plus Translator devices.**

#### Schematic Information

The kit contains representative input and output schematics, netlists, and waveform used for the ECLinPS Plus Translator devices. This application note may be

modified as new device input or output buffers are added. The subcircuit models such as the input or output buffer, package, input ESD, and output ESD may be interconnected as subcircuits to simulate specific a device input an output buffers structure as shown in Figure 1 below. The block diagram in Figure 2 illustrates a typical driver and receiver interconnect configuration which can be modeled using the information in this kit.

There are four terminals on all transistor models: Emitter, Base, Collector, and Substrate (biased to  $V_{EE}$ ). It should be noted that the input buffer circuit would drive differentially by replacing IN with the inverted  $\overline{IN}$  signal.

Table 1 describes the nomenclature used in the schematics and netlists.

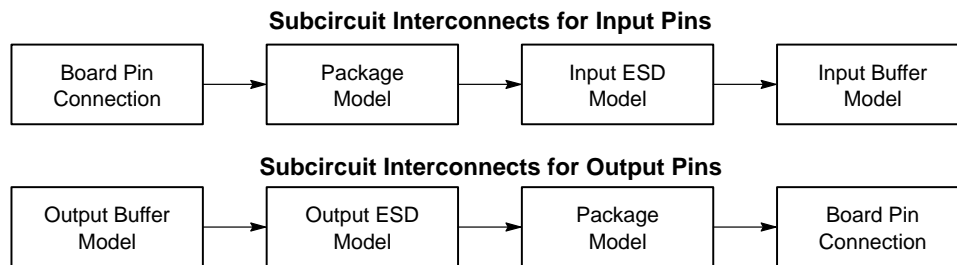


Figure 1. Input and Output Pins Interconnects

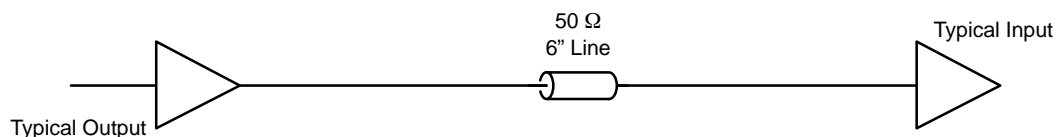


Figure 2. Typical Application for I/O SPICE Modeling Kit

**Table 1. Schematics and Netlist Nomenclature**

Parameter	Function Description
V <sub>CC</sub>	3.3 V / 0.0 V*
VCS	Internal Reference Voltage (V <sub>EE</sub> + 1.1 V ± 50 mV)
V <sub>EE</sub>	0.0 V / -3.3 V* LVECL
GND	0 V
IN	TRUE (Positive Phase) INPUT TO CKT
INb or $\overline{\text{IN}}$	INVERTED (Negative Phase) INPUT To CKT
INTA	Internal Input Node A to Drive TTL Output
INTB	Internal Input Node B to Drive TTL Output
Q	TTL Output of CKT (Positive Phase)

\*EPT25

### Input Buffer

The Typical ECL Input Buffer schematic (see Figure 3. Typical INBUF) and netlist represents the Low Voltage NECL configuration of the ECL structure currently in use on the MC100EPT25 device in this family. To simulate a Low Voltage PECL mode of operation used on the MC100EPT21 and MC100EPT23, all levels except VCS, are adjusted (shifted) +3.3 V with respect to V<sub>CC</sub>. The VCS is adjusted with respect to V<sub>EE</sub> (as approx. V<sub>EE</sub> + 1.1 V ± 50 mV)

This schematic requires the addition of ESD models (Figures 5 and 7) and package models (see Appendix A and B) for increased accuracy in simulated model behavior. The internal input pull-up and / or pull-down resistor is shown in the ESD network, Figures 5 and 6. It is unnecessary to include an ESD or package model for the V<sub>BB</sub> pins of the models because V<sub>BB</sub> is intended as an output node voltage reference. If V<sub>BB</sub> is modeled as an external node, it is usually bypassed as a constant voltage supply. Adding ESD and Package parameters would provide no additional benefit to the V<sub>BB</sub> pin.

### Output Buffer

The low voltage TTL output buffer schematic with output ESD structure and simplified package model can be seen in Figure 4. Any input or output that is driving or being driven by an off chip signal should include the ESD and package models. When simulating an output, the load (resistor and capacitance), package model, ESD structure, and the output emitter follower of the unused output, should not be eliminated to simplify the system model.

### Package

A case model for SOIC8 (Appendix A) and TSSOP8 (Appendix B) package types is included to improve the accuracy of the system model. The package model represents the parasitics from the pin up to, but not including the die pad. The package pin model should be represented on each device input pin connecting to an input model, all device output pins connecting to an output model, V<sub>CC</sub>, and

V<sub>EE</sub>. A package model can be used at the V<sub>EE</sub> pin, but is not necessary since the current in the V<sub>EE</sub> pin is a constant. An expansion of the SOIC8 Package Model can be found at the end of Appendix A. When high accuracy is not important and to speed up the simulation process, the simplified package model can be used, which is shown in Figure 4.

### ESD

The ESD structure used in the ECLinPS Plus Translators with TTL output are found in Figures 5, 6, and 7. For MC100EPT21 and MC100EPT23 devices ESD structure, use Figure 6. Input ESD with pull-up and pull-down EPT21/23. For the MC100EPT25, use Figure 5. Input ESD with Pull-down EPT25. Use Figure 7 for output pin ESD structure.

### SPICE Netlists

The netlists are organized as a group of subcircuits. In each subcircuit model netlist, the model name is followed by a list of external node interconnects. Subcircuit models such as the Input or Output Buffer, Package, Input ESD and Output ESD should connect to supplies through hierarchical, passed parameters such as V<sub>CC</sub>, V<sub>EE</sub>, etc., for proper simulation and not separately attached to independent power supplies.

### SPICE Parameter Information

In addition to the schematics and netlists is a listing of the SPICE parameters for the referenced transistors, TNA and TN1. These parameters represent a typical device of a given transistor. Varying the typical parameters will affect the DC and AC performance of the transistor structures, but for the type of modeling that are intended by this application note actual delay times are not necessary since they are not modeled. Variation of the device transistor parameters is not recommended. Some output performance levels are more easily varied by other methods and will be discussed in the next section.

### Modeling Information

The VCS or V<sub>BB</sub> bias drivers for the devices are not detailed since their circuitry would result in a substantial increase of model complexity and simulation time. Instead, these internal reference voltages are driven with ideal constant voltage sources. The output buffer schematic and netlist simulate a typical output waveshape, which can be seen in Figure 8: LVTTL\_OUT – Output Waveform (f = 250 MHz).

Simple adjustments may be made to the models allowing some output variance to simulate conditions near mean or typical conditions. This application note is not intended to provide simulation of data book specifications limits or process corners of a device.

### Summary

The information included in this kit provides adequate information to run a SPICE level system interconnect simulation.

# AND8118/D

## Input Buffer

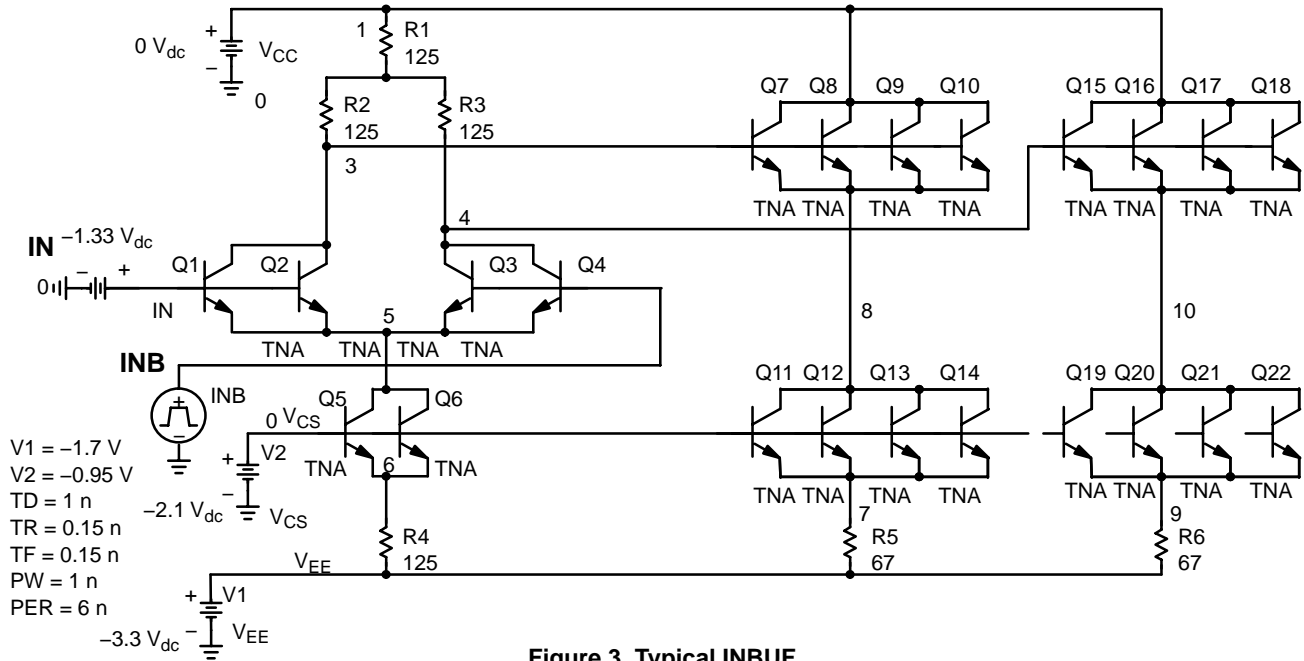


Figure 3. Typical INBUF

.SUBCKT TYPICAL INBUF IN INB VCS VEE

```

Q_Q1 3 IN 5 TNA
Q_Q2 3 IN 5 TNA
Q_Q3 4 INB 5 TNA
Q_Q4 4 INB 5 TNA
Q_Q5 5 VCS 6 TNA
Q_Q6 5 VCS 6 TNA
Q_Q7 1 3 8 TNA
Q_Q8 1 3 8 TNA
Q_Q9 1 3 8 TNA
Q_Q10 1 3 8 TNA
Q_Q11 8 VCS 7 TNA
Q_Q12 8 VCS 7 TNA
Q_Q13 8 VCS 7 TNA
Q_Q14 8 VCS 7 TNA
Q_Q15 1 4 10 TNA
Q_Q16 1 4 10 TNA
Q_Q17 1 4 10 TNA
Q_Q18 1 4 10 TNA
Q_Q19 10 VCS 9 TNA
Q_Q20 10 VCS 9 TNA
Q_Q21 10 VCS 9 TNA
Q_Q22 10 VCS 9 TNA
R_R1 2 1 125
R_R2 3 2 125
R_R3 4 2 125
R_R4 VEE 6 125
R_R5 VEE 7 67
R_R6 VEE 9 67
V_V1 VEE 0 -3.3Vdc
V_V2 VCS 0 -2.1Vdc
V_IN IN 0 -1.33Vdc
V_VCC 1 0 0Vdc
V_INB INB 0
+PULSE -1.7V -0.95V 1n 0.15n 0.15n 1n 6n
.END TYPICAL INBUF

```

# AND8118/D

## Output Buffer

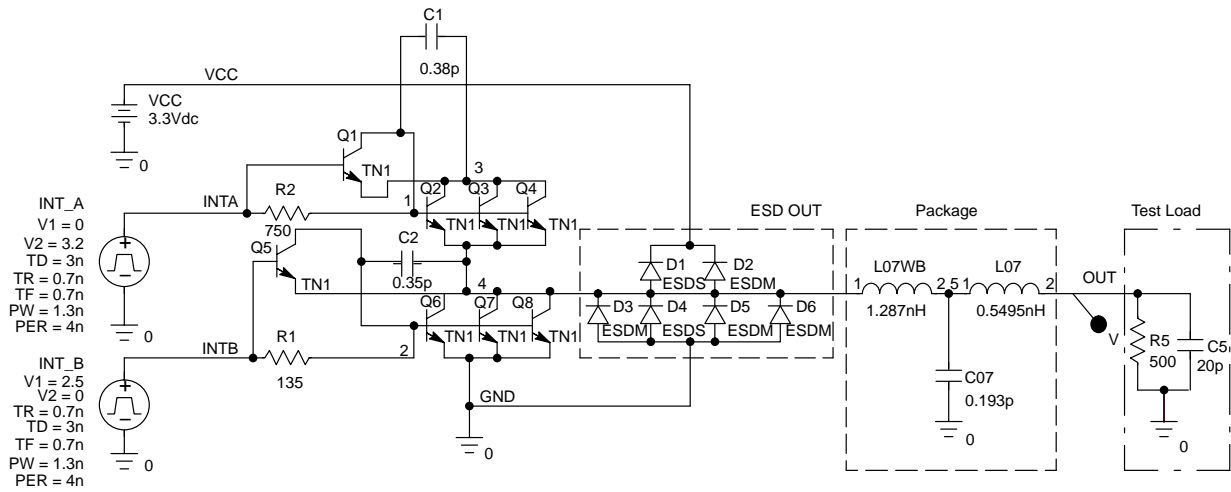


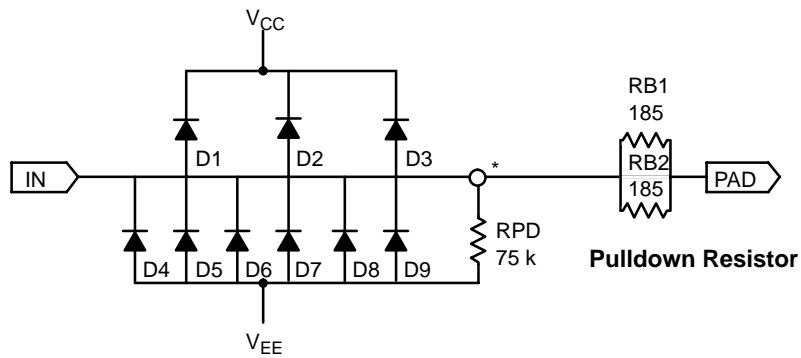
Figure 4. LVTTL\_OUT

### .SUBCKT EPT\_LVTTL\_OUT\_PACKAGE

```

Q_Q1      1 INTA 3 TN1
V_VCC     3 0 3.3Vdc
Q_Q2      3 1 4 TN1
C_C5      0 OUT 20p
Q_Q8      4 2 0 TN1
Q_Q4      3 1 4 TN1
D_D6      0 4 ESDS
R_R1      2 INTB 135
L_L07WB   4 5 1.287nH
R_R5      0 OUT 500
L_L07     5 OUT 0.5495nH
D_D2      4 3 ESDM
D_D3      0 4 ESDM
C_C1      1 3 0.38p
Q_Q7      4 2 0 TN1
D_D5      0 4 ESDM
R_R2      INTA 1 750
Q_Q5      2 INTB 4 TN1
Q_Q3      3 1 4 TN1
C_C07     0 5 0.193p
D_D4      0 4 ESDS
V_INT_A   INTA 0
+PULSE 0 3.2 3n 0.7n 0.7n 1.3n 4n
D_D1      4 3 ESDM
Q_Q6      4 2 0 TN1
V_INT_B   INTB 0
+PULSE 2.5 0 3n 0.7n 0.7n 1.3n 4n
C_C2      2 4 0.35p
.END EPT_LVTTL_OUT_PACKAGE
    
```

## AND8118/D



\* See device data sheet

Figure 5. Input ESD with Pull-down EPT25

```
.SUBCKT IN_ESD_PD VCC VEE IN PAD
D1 IN VCC ESDM
D2 IN VCC ESDM
D3 IN VCC ESDM
D4 VEE IN ESDM
D5 VEE IN ESDS
D6 VEE IN ESDM
D7 VEE IN ESDS
D8 VEE IN ESDM
D9 VEE IN ESDS
RPD IN VEE 75K
RB1 IN PAD 185
RB2 IN PAD 185
.ENDS IN_ESD_PD
```

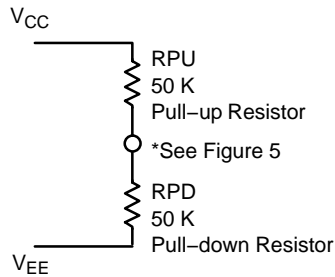


Figure 6. Input ESD with Pull-up and Pull-down EPT21/23

```
.SUBCKT IN_ESD_PU VCC VEE IN PAD
D1 IN VCC ESDM
D2 IN VCC ESDM
D3 IN VCC ESDM
D4 VEE IN ESDM
D5 VEE IN ESDS
D6 VEE IN ESDM
D7 VEE IN ESDS
D8 VEE IN ESDM
D9 VEE IN ESDS
RPD IN VEE 50K
RPU IN VCC 50K
RB1 IN PAD 185
RB2 IN PAD 185
.ENDS IN_ESD_PU
```

# AND8118/D

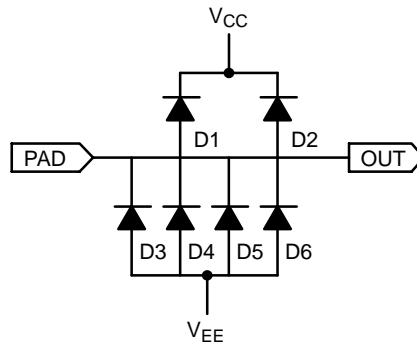


Figure 7. Output ESD

```
.SUBCKT OUT_ESD VCC VEE OUT
D1 OUT VCC ESDM
D2 OUT VCC ESDM
D3 VEE OUT ESDM
D4 VEE OUT ESDS
D5 VEE OUT ESDM
D6 VEE OUT ESDS
.ENDS OUT_ESD
```

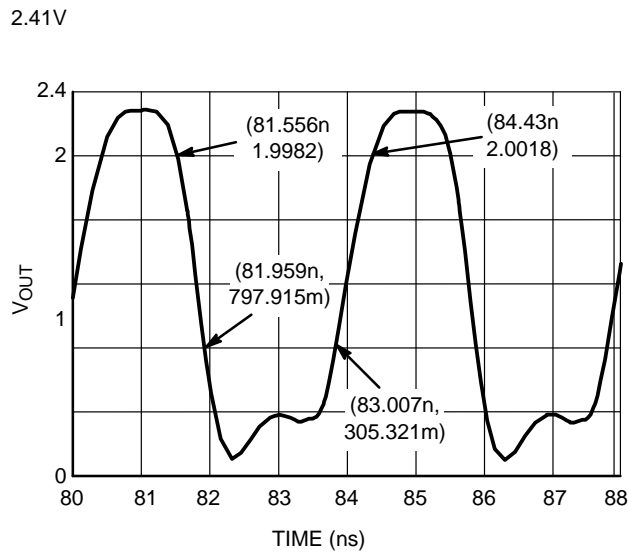


Figure 8. LVTTL\_OUT – Output Waveform ( $f_{in} = 250$  MHz)

# AND8118/D

\*\*\*\*\* Transistor and Diodes Nominal SPICE Models\* \*\*\*\*\*

```
*****
.MODEL TNA NPN (IS=6.54e-18 BF=195 NF=1 VAF=93.6 IKF=6.81e-03
+ ISE=3.26e-16 NE=2.5 BR=18.4 VAR=2.76 IKR=6.36e-04 ISC=1.89e-17
+ NC=1.426 RB=544 IRB=3.16e-05 RBM=154 RE=13 RC=61 CJE=1.45e-14
+ VJE=.8867 MJE=.2868 TF=8.00e-12 ITF=5.2e-03 XTF=2.8 VTF=1.4 PTF=41.56 TR=1e-9
+ CJC=5.68e-15 VJC=0.632 MJC=0.301 XCJC=.3 CJS=7.94e-15 VJS=.4193 MJS=0.256
+ EG=1.119 XTI=3.999 XTB=0.8826 FC=0.9)
.MODEL TN1 NPN (IS=2.18e-17 BF=179 NF=1 VAF=96.5 IKF=2.42e-02
+ ISE=3.83e-16 NE=2.5 BR=20.4 VAR=2.76 IKR=1.98e-03 ISC=2.91e-17
+ NC=1.426 RB=230 IRB=1.12e-04 RBM=48 RE=6 RC=22 CJE=4.98e-14
+ VJE=.8867 MJE=.2868 TF=8.00e-12 ITF=1.6e-02 XTF=2.8 VTF=1.4 PTF=41.56
+ TR=1e-9 CJC=1.55e-14 VJC=0.632 MJC=0.301 XCJC=.3 CJS=1.71e-14 VJS=.4193
+ MJS=0.256 EG=1.119 XTI=3.999 XTB=0.8826 FC=0.9)
.MODEL ESDM D (IS=1.55E-14 CJO=160fF RS=12 VJ=.58 M=.25 BV=9)
.MODEL ESDS D (IS=1.55E-14 CJO=29fF VJ=.624 M=.571)
*****
SPICE MODELS 4.5
```

## Appendix A

## Package: SO-8

```

* SPICE subcircuit file of coupled
*
* Transmission line model
*
* Conductor number-pin designation
* Conductor Pin
* 1 1
* 2 2
* 3 3
* 4 4
* 5 5
* 6 6
* 7 7
* 8 8
*
* number of lumps: 1
* FASTEST APPLICABLE EDGE RATE:
* COMPRESSION OF SUBCIRCUITS PERFORMED:
* Connect chip side to N**I and board
*
.SUBCKT LINES N01I N01O N02I N02O
+ N05I N05O N06I N06O N07I N07O N08I
L01WB N01I N01M 1.367e-09
L01 N01M N01O 7.794e-10
C01 N01M 0 2.445e-13
L02WB N02I N02M 1.287e-09
L02 N02M N02O 5.473e-10
C02 N02M 0 1.888e-13
L03WB N03I N03M 1.287e-09
L03 N03M N03O 5.473e-10
C03 N03M 0 1.901e-13
L04WB N04I N04M 1.367e-09
L04 N04M N04O 7.723e-10
C04 N04M 0 2.443e-13
L05WB N05I N05M 1.367e-09
L05 N05M N05O 7.710e-10
C05 N05M 0 2.478e-13
L06WB N06I N06M 1.287e-09
L06 N06M N06O 5.489e-10
C06 N06M 0 1.916e-13
L07WB N07I N07M 1.287e-09
L07 N07M N07O 5.495e-10
C07 N07M 0 1.930e-13
L08WB N08I N08M 1.367e-09
L08 N08M N08O 7.786e-10
C08 N08M 0 2.451e-13
K0102 L01 L02 0.1687
K0102WB L01WB L02WB 0.3400
C0102 N01O N02O 3.674e-14
K0103 L01 L03 0.0702
K0103WB L01WB L03WB 0.1847
K0203 L02 L03 0.1822
K0203WB L02WB L03WB 0.3505
C0203 N02O N03O 3.521e-14
K0204 L02 L04 0.0682
K0204WB L02WB L04WB 0.1847
K0304 L03 L04 0.1694
K0304WB L03WB L04WB 0.3400
C0304 N03O N04O 3.675e-14

```

# AND8118/D

K0305WB L03WB L05WB 0.1847  
K0405WB L04WB L05WB 0.3455  
K0406WB L04WB L06WB 0.1847  
K0506 L05 L06 0.1697  
K0506WB L05WB L06WB 0.3400  
C0506 N05O N06O 3.720e-14  
K0507 L05 L07 0.0682  
K0507WB L05WB L07WB 0.1847  
K0607 L06 L07 0.1824  
K0607WB L06WB L07WB 0.3505  
C0607 N06O N07O 3.570e-14  
K0608 L06 L08 0.0702  
K0608WB L06WB L08WB 0.1847  
K0708 L07 L08 0.1691  
K0708WB L07WB L08WB 0.3400  
C0708 N07O N08O 3.632e-14

.ENDS LINES

\*\*\*\*\*

# AND8118/D

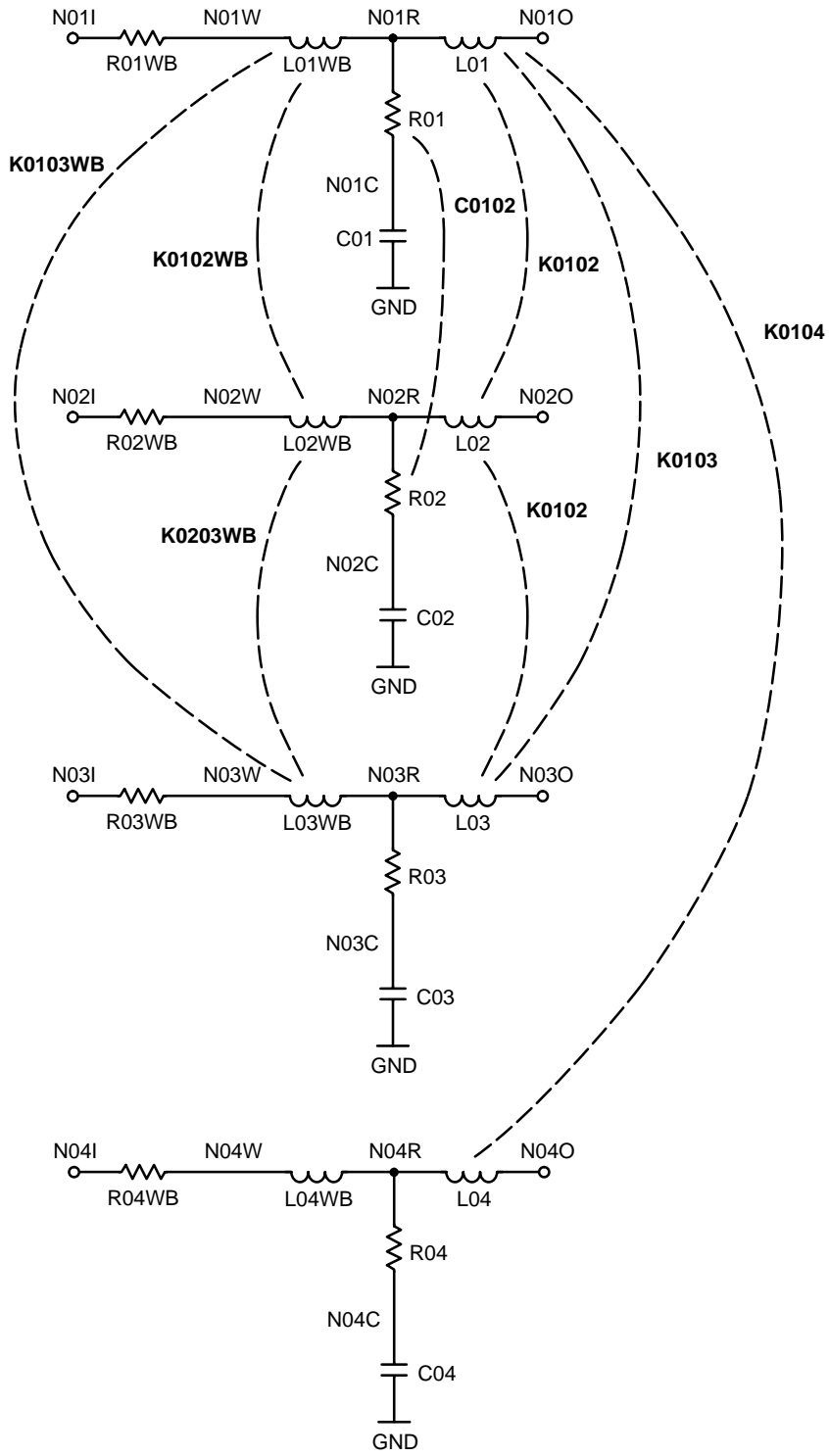


Figure 9.

Appendix B

Package: TSSOP-8

```

* SPICE subcircuit file of coupled transmission lines
*
* Transmission line model
*
* Conductor number-pin designation cross reference:
* counter-clockwise
* Conductor Pin
* 1 1
* 2 2
* 3 3
* 4 4
* 5 5
* 6 6
* 7 7
* 8 8
*
* number of lumps: 1
* FASTEST APPLICABLE EDGE RATE: 0.048 ns
* COMPRESSION OF SUBCIRCUITS PERFORMED: discard ratio is 0.050
*
R_SHORT 0 GND 0.0001
*
X_777 N01I N01O N02I N02O N03I N03O N04I N04O
+ N05I N05O N06I N06O N07I N07O N08I N08O GND PACKAGE
*
.SUBCKT PACKAGE N01I N01O N02I N02O N03I N03O N04I N04O
+ N05I N05O N06I N06O N07I N07O N08I N08O GND
R01WB N01I N01W 4.727e-02
L01WB N01W N01R 1.158e-09
R01 N01R N01C 9.680e-04
C01 N01C GND 8.978e-14
L01 N01C N01O 7.466e-10
R02WB N02I N02W 3.815e-02
L02WB N02W N02R 9.835e-10
R02 N02R N02C 9.680e-04
C02 N02C GND 7.711e-14
L02 N02C N02O 7.466e-10
R03WB N03I N03W 3.815e-02
L03WB N03W N03R 9.835e-10
R03 N03R N03C 9.680e-04
C03 N03C GND 7.704e-14
L03 N03C N03O 7.465e-10
R04WB N04I N04W 4.727e-02
L04WB N04W N04R 1.158e-09
R04 N04R N04C 9.680e-04
C04 N04C GND 8.983e-14
L04 N04C N04O 7.460e-10
R05WB N05I N05W 4.727e-02
L05WB N05W N05R 1.158e-09
R05 N05R N05C 9.680e-04
C05 N05C GND 8.983e-14
L05 N05C N05O 7.460e-10
R06WB N06I N06W 3.815e-02
L06WB N06W N06R 9.835e-10
R06 N06R N06C 9.680e-04
C06 N06C GND 7.704e-14
L06 N06C N06O 7.465e-10
R07WB N07I N07W 3.815e-02
L07WB N07W N07R 9.835e-10


```

# AND8118/D

R07 N07R N07C 9.680e-04  
C07 N07C GND 7.711e-14  
L07 N07C N07O 7.466e-10  
R08WB N08I N08W 4.727e-02  
L08WB N08W N08R 1.158e-09  
R08 N08R N08C 9.680e-04  
C08 N08C GND 8.978e-14  
L08 N08C N08O 7.466e-10  
K0102 L01 L02 0.2481  
K0102WB L01WB L02WB 0.1729  
C0102 N01C N02C 2.283e-14  
K0103 L01 L03 0.1067  
K0103WB L01WB L03WB 0.0598  
K0104 L01 L04 0.0593  
K0203 L02 L03 0.2479  
K0203WB L02WB L03WB 0.1463  
C0203 N02C N03C 2.136e-14  
K0204 L02 L04 0.1068  
K0204WB L02WB L04WB 0.0598  
K0304 L03 L04 0.2481  
K0304WB L03WB L04WB 0.1729  
C0304 N03C N04C 2.279e-14  
K0506 L05 L06 0.2481  
K0506WB L05WB L06WB 0.1513  
C0506 N05C N06C 2.279e-14  
K0507 L05 L07 0.1068  
K0507WB L05WB L07WB 0.0615  
K0508 L05 L08 0.0593  
K0607 L06 L07 0.2479  
K0607WB L06WB L07WB 0.1729  
C0607 N06C N07C 2.136e-14  
K0608 L06 L08 0.1067  
K0608WB L06WB L08WB 0.0615  
K0708 L07 L08 0.2481  
K0708WB L07WB L08WB 0.1513  
C0708 N07C N08C 2.283e-14  
.ENDS PACKAGE

\*\*\*\*\*

ECLinPS Plus is a trademark of Semiconductor Components Industries, LLC.

**ON Semiconductor** and  are registered trademarks of Semiconductor Components Industries, LLC (SCILLC). SCILLC reserves the right to make changes without further notice to any products herein. SCILLC makes no warranty, representation or guarantee regarding the suitability of its products for any particular purpose, nor does SCILLC assume any liability arising out of the application or use of any product or circuit, and specifically disclaims any and all liability, including without limitation special, consequential or incidental damages. "Typical" parameters which may be provided in SCILLC data sheets and/or specifications can and do vary in different applications and actual performance may vary over time. All operating parameters, including "Typicals" must be validated for each customer application by customer's technical experts. SCILLC does not convey any license under its patent rights nor the rights of others. SCILLC products are not designed, intended, or authorized for use as components in systems intended for surgical implant into the body, or other applications intended to support or sustain life, or for any other application in which the failure of the SCILLC product could create a situation where personal injury or death may occur. Should Buyer purchase or use SCILLC products for any such unintended or unauthorized application, Buyer shall indemnify and hold SCILLC and its officers, employees, subsidiaries, affiliates, and distributors harmless against all claims, costs, damages, and expenses, and reasonable attorney fees arising out of, directly or indirectly, any claim of personal injury or death associated with such unintended or unauthorized use, even if such claim alleges that SCILLC was negligent regarding the design or manufacture of the part. SCILLC is an Equal Opportunity/Affirmative Action Employer.

## PUBLICATION ORDERING INFORMATION

### Literature Fulfillment:

Literature Distribution Center for ON Semiconductor  
P.O. Box 5163, Denver, Colorado 80217 USA  
**Phone:** 303-675-2175 or 800-344-3860 Toll Free USA/Canada  
**Fax:** 303-675-2176 or 800-344-3867 Toll Free USA/Canada  
**Email:** orderlit@onsemi.com

**N. American Technical Support:** 800-282-9855 Toll Free USA/Canada

**JAPAN:** ON Semiconductor, Japan Customer Focus Center  
2-9-1 Kamimeguro, Meguro-ku, Tokyo, Japan 153-0051  
**Phone:** 81-3-5773-3850

**ON Semiconductor Website:** <http://onsemi.com>

For additional information, please contact your local Sales Representative.