

*Designer's™ Data Sheet*  
**SWITCHMODE Series**  
**NPN Silicon Power Darlington**  
**Transistor with Base-Emitter**  
**Speedup Diode**

The MJ10009 Darlington transistor is designed for high-voltage, high-speed, power switching in Inductive circuits where fall time is critical. It is particularly suited for line operated switchmode applications such as:

- Switching Regulators
- Inverters
- Solenoid and Relay Drivers
- Motor Controls
- Deflection Circuits

Fast Turn-Off Times

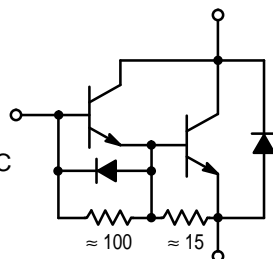
1.6  $\mu$ s (max) Inductive Crossover Time – 10 A, 100°C

3.5  $\mu$ s (max) Inductive Storage Time – 10 A, 100°C

Operating Temperature Range –65 to +200°C

100°C Performance Specified for:

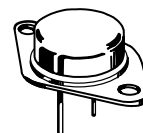
- Reversed Biased SOA with Inductive Loads
- Switching Times with Inductive Loads
- Saturation Voltages
- Leakage Currents



**MJ10009\***

\*Motorola Preferred Device

**20 AMPERE**  
**NPN SILICON**  
**POWER DARLINGTON**  
**TRANSISTORS**  
**450 and 500 VOLTS**  
**175 WATTS**



**CASE 1-07**  
**TO-204AA**  
**(TO-3)**

**MAXIMUM RATINGS**

Rating	Symbol	Value	Unit
Collector-Emitter Voltage	$V_{CEO}$	500	Vdc
Collector-Emitter Voltage	$V_{CEX}$	500	Vdc
Collector-Emitter Voltage	$V_{CEV}$	700	Vdc
Emitter Base Voltage	$V_{EB}$	8	Vdc
Collector Current — Continuous	$I_C$	20	Adc
— Peak (1)	$I_{CM}$	30	
Base Current — Continuous	$I_B$	2.5	Adc
— Peak (1)	$I_{BM}$	5	
Total Power Dissipation @ $T_C = 25^\circ\text{C}$	$P_D$	175	Watts
@ $T_C = 100^\circ\text{C}$		100	
Derate above 25°C		1	W/°C
Operating and Storage Junction Temperature Range	$T_J, T_{stg}$	-65 to +200	°C

**THERMAL CHARACTERISTICS**

Characteristic	Symbol	Max	Unit
Thermal Resistance, Junction to Case	$R_{\theta JC}$	1	°C/W
Maximum Lead Temperature for Soldering Purposes: 1/8" from Case for 5 Seconds	$T_L$	275	°C

(1) Pulse Test: Pulse Width = 5 ms, Duty Cycle  $\leq$  10%.

Designer's and SWITCHMODE are trademarks of Motorola, Inc.

**Designer's Data for "Worst Case" Conditions** — The Designer's Data Sheet permits the design of most circuits entirely from the information presented. SOA Limit curves — representing boundaries on device characteristics — are given to facilitate "worst case" design.

**Preferred** devices are Motorola recommended choices for future use and best overall value.

REV 2

# MJ10009

## ELECTRICAL CHARACTERISTICS (T<sub>C</sub> = 25°C unless otherwise noted)

Characteristic	Symbol	Min	Typ	Max	Unit
<b>OFF CHARACTERISTICS</b>					
Collector Emitter Sustaining Voltage (Table 1) (I <sub>C</sub> = 100 mA, I <sub>B</sub> = 0, V <sub>clamp</sub> = Rated V <sub>CEO</sub> )	V <sub>CEO(sus)</sub>	500	—	—	Vdc
Collector Emitter Sustaining Voltage (Table 1, Figure 12) (I <sub>C</sub> = 2 A, V <sub>clamp</sub> = Rated V <sub>CEX</sub> , T <sub>C</sub> = 100°C, V <sub>BE(off)</sub> = 5 V) (I <sub>C</sub> = 10 A, V <sub>clamp</sub> = Rated V <sub>CEX</sub> , T <sub>C</sub> = 100°C, V <sub>BE(off)</sub> = 5 V)	V <sub>CEX(sus)</sub>	500 375	— —	— —	Vdc
Collector Cutoff Current (V <sub>CEV</sub> = Rated Value, V <sub>BE(off)</sub> = 1.5 Vdc) (V <sub>CEV</sub> = Rated Value, V <sub>BE(off)</sub> = 1.5 Vdc, T <sub>C</sub> = 150°C)	I <sub>CEV</sub>	— —	— —	0.25 5	mAdc
Collector Cutoff Current (V <sub>CE</sub> = Rated V <sub>CEV</sub> , R <sub>BE</sub> = 50 Ω, T <sub>C</sub> = 100°C)	I <sub>CER</sub>	—	—	5	mAdc
Emitter Cutoff Current (V <sub>EB</sub> = 2 Vdc, I <sub>C</sub> = 0)	I <sub>EBO</sub>	—	—	175	mAdc

## SECOND BREAKDOWN

Second Breakdown Collector Current with base forward biased	I <sub>S/b</sub>	See Figure 11			
---	------------------	---------------	--	--	--

## ON CHARACTERISTICS (2)

DC Current Gain (I <sub>C</sub> = 5 Adc, V <sub>CE</sub> = 5 Vdc) (I <sub>C</sub> = 10 Adc, V <sub>CE</sub> = 5 Vdc)	h <sub>FE</sub>	40 30	— —	400 300	—
Collector–Emitter Saturation Voltage (I <sub>C</sub> = 10 Adc, I <sub>B</sub> = 500 mAdc) (I <sub>C</sub> = 20 Adc, I <sub>B</sub> = 2 Adc) (I <sub>C</sub> = 10 Adc, I <sub>B</sub> = 500 mAdc, T <sub>C</sub> = 100°C)	V <sub>CE(sat)</sub>	— — —	— — —	2 3.5 2.5	Vdc
Base–Emitter Saturation Voltage (I <sub>C</sub> = 10 Adc, I <sub>B</sub> = 500 mAdc) (I <sub>C</sub> = 10 Adc, I <sub>B</sub> = 500 mAdc, T <sub>C</sub> = 100°C)	V <sub>BE(sat)</sub>	— —	— —	2.5 2.5	Vdc
Diode Forward Voltage (1) (I <sub>F</sub> = 10 Adc)	V <sub>f</sub>	—	3	5	Vdc

## DYNAMIC CHARACTERISTICS

Small–Signal Current Gain (I <sub>C</sub> = 1 Adc, V <sub>CE</sub> = 10 Vdc, f <sub>test</sub> = 1 MHz)	h <sub>fe</sub>	8	—	—	—
Output Capacitance (V <sub>CB</sub> = 10 Vdc, I <sub>E</sub> = 0, f <sub>test</sub> = 100 kHz)	C <sub>ob</sub>	100	—	325	pF

## SWITCHING CHARACTERISTICS

Resistive Load (Table 1)						
Delay Time	(V <sub>CC</sub> = 250 Vdc, I <sub>C</sub> = 10 A, I <sub>B1</sub> = 500 mA, V <sub>BE(off)</sub> = 5 Vdc, t <sub>p</sub> = 25 μs Duty Cycle ≤ 2%).	t <sub>d</sub>	—	0.12	0.25	μs
Rise Time		t <sub>r</sub>	—	0.5	1.5	μs
Storage Time		t <sub>s</sub>	—	0.8	2.0	μs
Fall Time		t <sub>f</sub>	—	0.2	0.6	μs
Inductive Load, Clamped (Table 1)						
Storage Time	(I <sub>C</sub> = 10 A(pk), V <sub>clamp</sub> = 250 V, I <sub>B1</sub> = 500 mA, V <sub>BE(off)</sub> = 5 Vdc, T <sub>C</sub> = 100°C)	t <sub>sv</sub>	—	1.5	3.5	μs
Crossover Time		t <sub>c</sub>	—	0.36	1.6	μs
Storage Time	(I <sub>C</sub> = 10 A(pk), V <sub>clamp</sub> = 250 V, I <sub>B1</sub> = 500 mA, V <sub>BE(off)</sub> = 5 Vdc)	t <sub>sv</sub>	—	0.8	—	μs
Crossover Time		t <sub>c</sub>	—	0.18	—	μs

(1) The internal Collector–to–Emitter diode can eliminate the need for an external diode to clamp inductive loads.

Tests have shown that the Forward Recovery Voltage (V<sub>f</sub>) of this diode is comparable to that of typical fast recovery rectifiers.

(2) Pulse Test: PW = 300 μs, Duty Cycle ≤ 2%.

TYPICAL CHARACTERISTICS

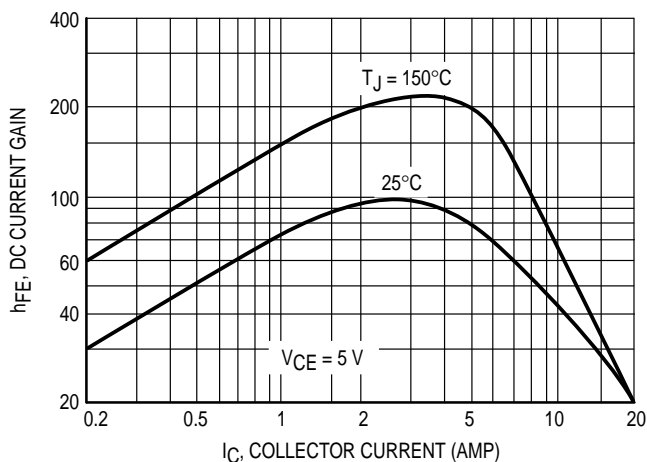


Figure 1. DC Current Gain

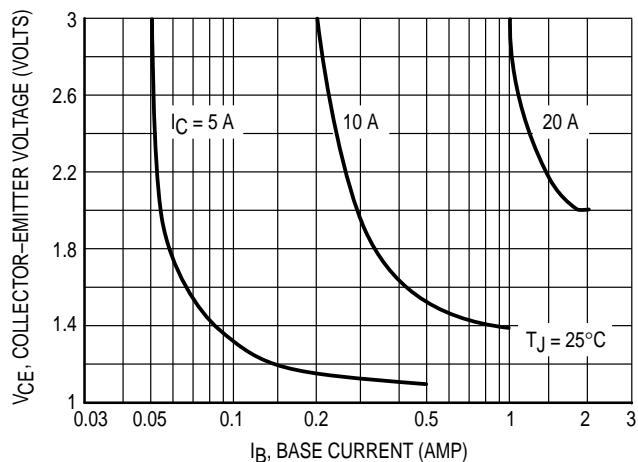


Figure 2. Collector Saturation Region

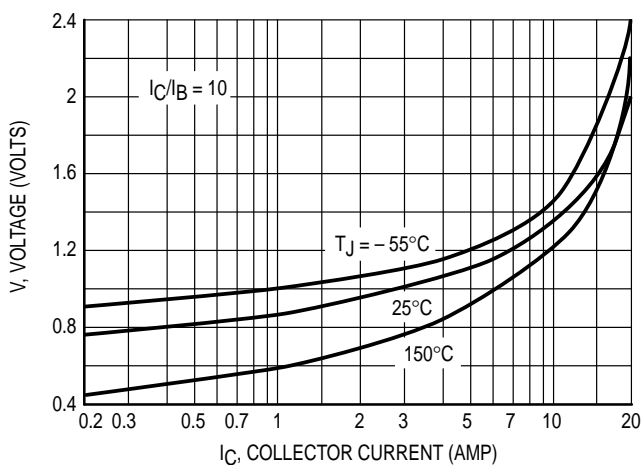


Figure 3. Collector-Emitter Saturation Voltage

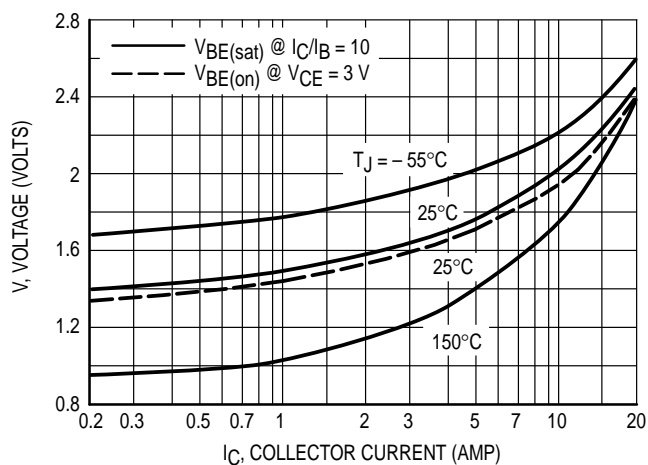


Figure 4. Base-Emitter Voltage

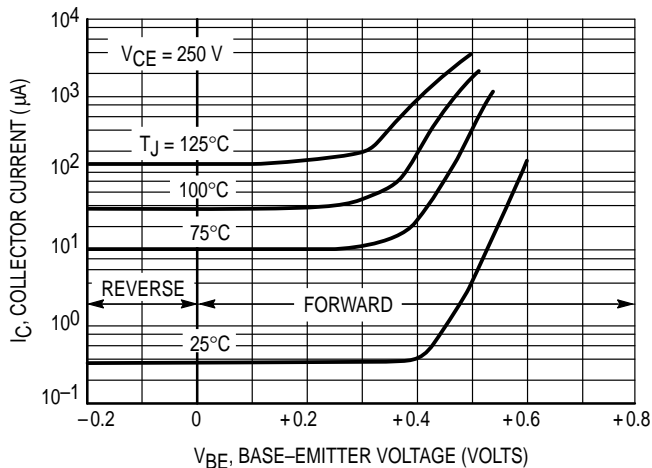


Figure 5. Collector Cutoff Region

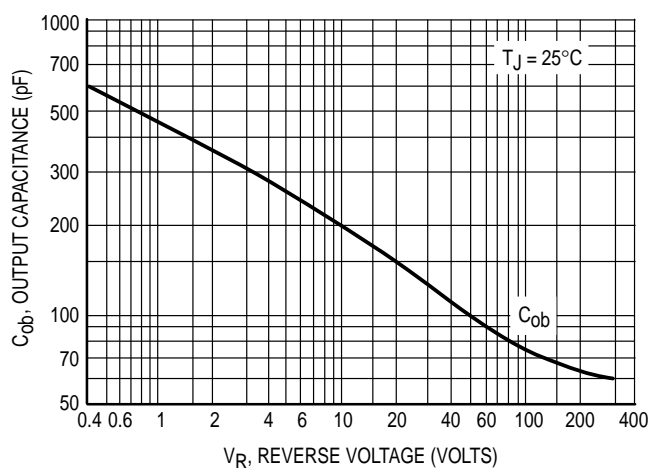
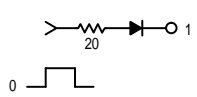
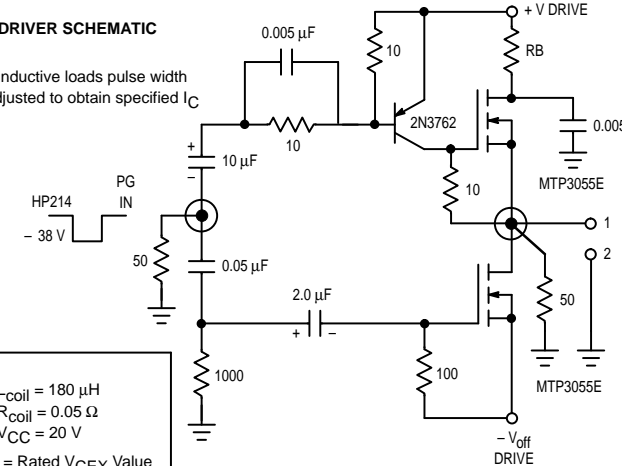
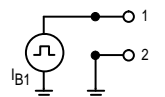
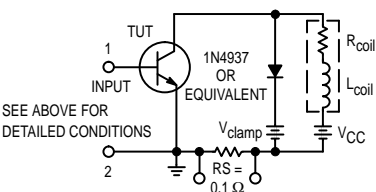
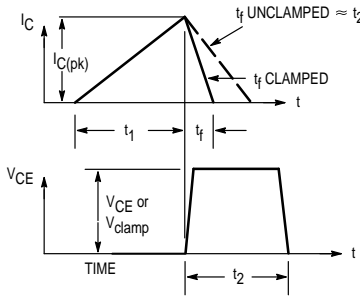
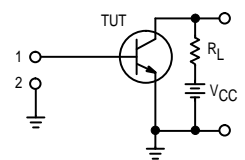


Figure 6. Output Capacitance

Table 1. Test Conditions for Dynamic Performance

	$V_{CEO(sus)}$	RBSOA AND INDUCTIVE SWITCHING	RESISTIVE SWITCHING
INPUT CONDITIONS	 <p>PW Varied to Attain <math>I_C = 100 \text{ mA}</math></p>	<p><b>DRIVER SCHEMATIC</b></p> <p>For inductive loads pulse width is adjusted to obtain specified <math>I_C</math></p> 	 <p><math>I_{B1}</math> adjusted to obtain the forced <math>h_{FE}</math> desired</p> <p><b>TURN-OFF TIME</b></p> <p>Use inductive switching driver as the input to the resistive test circuit.</p>
CIRCUIT VALUES	$L_{coil} = 10 \text{ mH}$ , $V_{CC} = 10 \text{ V}$ $R_{coil} = 0.7 \Omega$ $V_{clamp} = V_{CEO(sus)}$	$L_{coil} = 180 \mu\text{H}$ $R_{coil} = 0.05 \Omega$ $V_{CC} = 20 \text{ V}$ $V_{clamp} = \text{Rated } V_{CEX} \text{ Value}$	$V_{CC} = 250 \text{ V}$ $R_L = 25 \Omega$ Pulse Width = $25 \mu\text{s}$
TEST CIRCUITS	<p><b>INDUCTIVE TEST CIRCUIT</b></p>  <p>SEE ABOVE FOR DETAILED CONDITIONS</p>	<p><b>OUTPUT WAVEFORMS</b></p>  <p><math>t_1</math> Adjusted to Obtain <math>I_C</math></p> $t_1 = \frac{L_{coil} (I_{Cpk})}{V_{CC}}$ $t_2 = \frac{L_{coil} (I_{Cpk})}{V_{clamp}}$ <p>Test Equipment Scope — Tektronix 475 or Equivalent</p>	<p><b>RESISTIVE TEST CIRCUIT</b></p> 

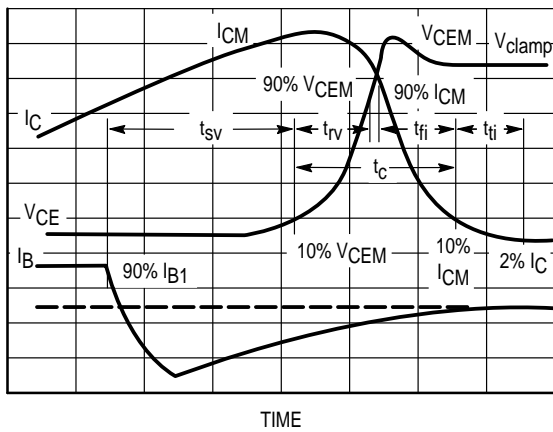


Figure 7. Inductive Switching Measurements

**SWITCHING TIMES NOTE**

In resistive switching circuits, rise, fall, and storage times have been defined and apply to both current and voltage waveforms since they are in phase. However, for inductive loads which are common to SWITCHMODE power supplies and hammer drivers, current and voltage waveforms are not in phase. Therefore, separate measurements must be made on each waveform to determine the total switching time. For this reason, the following new terms have been defined.

- $t_{sv}$  = Voltage Storage Time, 90%  $I_{B1}$  to 10%  $V_{clamp}$
- $t_{rv}$  = Voltage Rise Time, 10–90%  $V_{clamp}$
- $t_{fj}$  = Current Fall Time, 90–10%  $I_C$
- $t_{tj}$  = Current Tail, 10–2%  $I_C$
- $t_c$  = Crossover Time, 10%  $V_{clamp}$  to 10%  $I_C$

TYPICAL CHARACTERISTICS

SWITCHING TIMES NOTE (continued)

For the designer, there is minimal switching loss during storage time and the predominant switching power losses occur during the crossover interval and can be obtained using the standard equation from AN-222.

$$P_{SWT} = 1/2 V_{CC} I_C (t_c) f$$

Typical inductive switching waveforms are shown in Fig-

ure 7. In general,  $t_{rV} + t_{fi} \approx t_c$ . However, at lower test currents this relationship may not be valid.

As is common with most switching transistors, resistive switching is specified at 25°C and has become a benchmark for designers. However, for designers of high frequency converter circuits, the user oriented specifications which make this a "SWITCHMODE" transistor are the inductive switching speeds ( $t_c$  and  $t_{SV}$ ) which are guaranteed at 100°C.

RESISTIVE SWITCHING PERFORMANCE

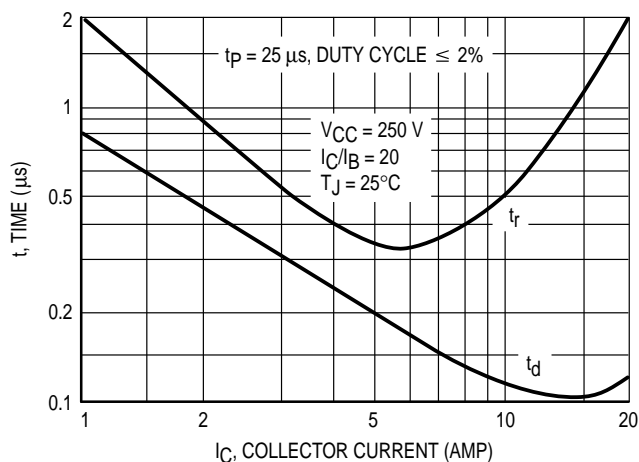


Figure 8. Turn-On Time

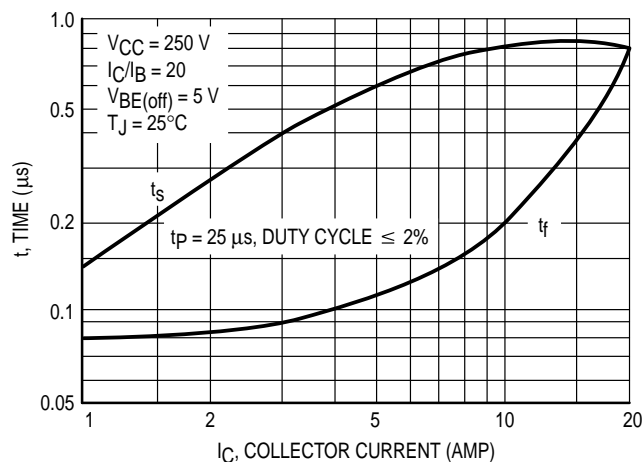


Figure 9. Turn-Off Time

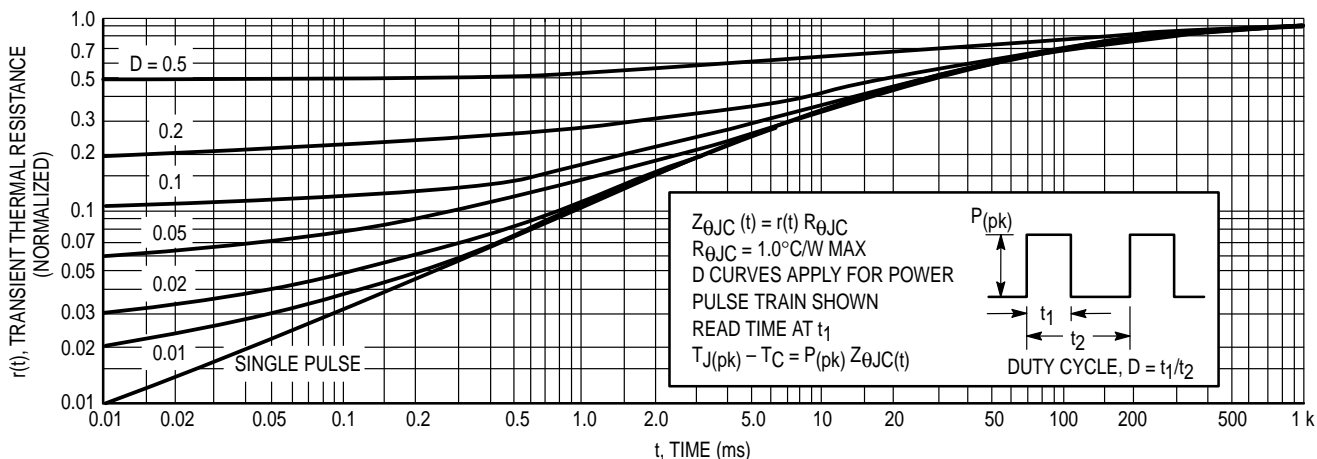


Figure 10. Thermal Response

# MJ10009

The Safe Operating Area figures shown in Figures 11 and 12 are specified ratings for these devices under the test conditions shown.

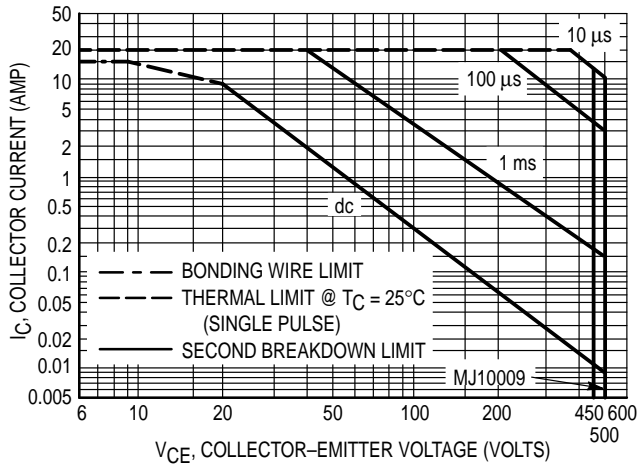


Figure 11. Forward Bias Safe Operating Area

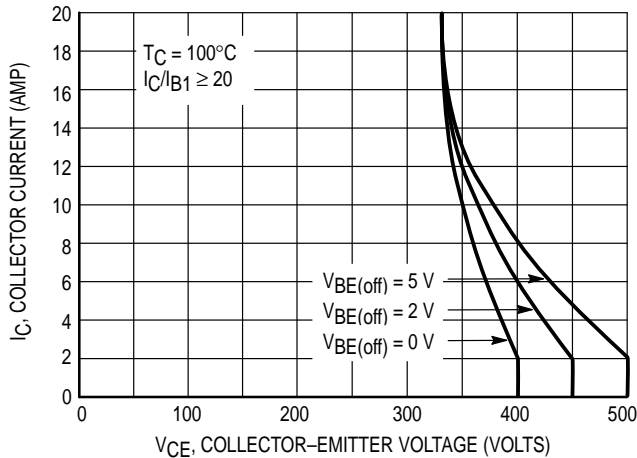


Figure 12. Reverse Bias Switching Safe Operating Area (MJ10009)

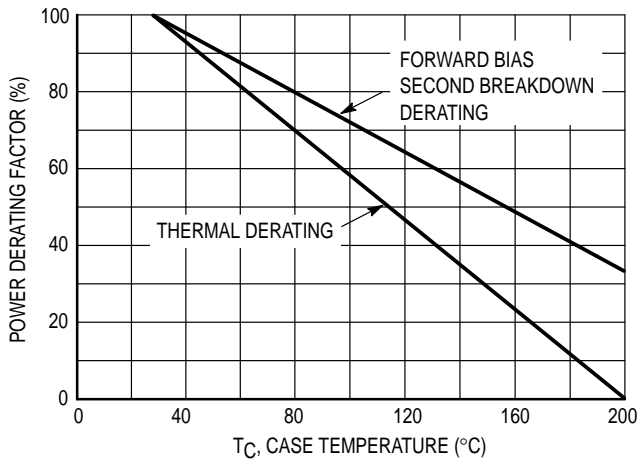


Figure 13. Power Derating

## SAFE OPERATING AREA INFORMATION

### FORWARD BIAS

There are two limitations on the power handling ability of a transistor: average junction temperature and second breakdown. Safe operating area curves indicate  $I_C - V_{CE}$  limits of the transistor that must be observed for reliable operation, i.e., the transistor must not be subjected to greater dissipation than the curves indicate.

The data of Figure 11 is based on  $T_C = 25^\circ\text{C}$ ;  $T_{J(pk)}$  is variable depending on power level. Second breakdown pulse limits are valid for duty cycles to 10% but must be derated when  $T_C \geq 25^\circ\text{C}$ . Second breakdown limitations do not derate the same as thermal limitations. Allowable current at the voltages shown on Figure 11 may be found at any case temperature by using the appropriate curve on Figure 13.

$T_{J(pk)}$  may be calculated from the data in Figure 10. At high case temperatures, thermal limitations will reduce the power that can be handled to values less than the limitations imposed by second breakdown.

### REVERSE BIAS

For inductive loads, high voltage and high current must be sustained simultaneously during turn-off, in most cases, with the base to emitter junction reverse biased. Under these conditions the collector voltage must be held to a safe level at or below a specific value of collector current. This can be accomplished by several means such as active clamping, RC snubbing, load line shaping, etc. The safe level for these devices is specified as  $V_{CEX(sus)}$  at a given collector current and represents a voltage-current condition that can be sustained during reverse biased turn-off. This rating is verified under clamped conditions so that the device is never subjected to an avalanche mode. Figure 12 gives the complete reverse bias safe operating area characteristics. See Table 1 for circuit conditions.

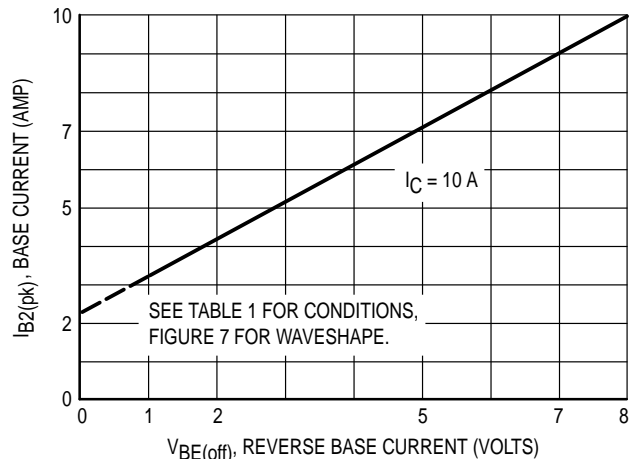
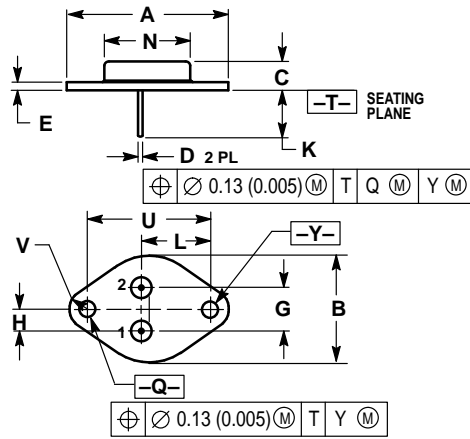


Figure 14. Reverse Base Current versus  $V_{BE(off)}$  with No External Base Resistance

PACKAGE DIMENSIONS




- NOTES:
1. DIMENSIONING AND TOLERANCING PER ANSI Y14.5M, 1982.
  2. CONTROLLING DIMENSION: INCH.
  3. ALL RULES AND NOTES ASSOCIATED WITH REFERENCED TO-204AA OUTLINE SHALL APPLY.

DIM	INCHES		MILLIMETERS	
	MIN	MAX	MIN	MAX
A	1.550 REF		39.37 REF	
B	—	1.050	—	26.67
C	0.250	0.335	6.35	8.51
D	0.038	0.043	0.97	1.09
E	0.055	0.070	1.40	1.77
G	0.430 BSC		10.92 BSC	
H	0.215 BSC		5.46 BSC	
K	0.440	0.480	11.18	12.19
L	0.665 BSC		16.89 BSC	
N	—	0.830	—	21.08
Q	0.151	0.165	3.84	4.19
U	1.187 BSC		30.15 BSC	
V	0.131	0.188	3.33	4.77

STYLE 1:  
 PIN 1. BASE  
 2. EMITTER  
 CASE: COLLECTOR

CASE 1-07  
 TO-204AA (TO-3)  
 ISSUE Z

Motorola reserves the right to make changes without further notice to any products herein. Motorola makes no warranty, representation or guarantee regarding the suitability of its products for any particular purpose, nor does Motorola assume any liability arising out of the application or use of any product or circuit, and specifically disclaims any and all liability, including without limitation consequential or incidental damages. "Typical" parameters can and do vary in different applications. All operating parameters, including "Typicals" must be validated for each customer application by customer's technical experts. Motorola does not convey any license under its patent rights nor the rights of others. Motorola products are not designed, intended, or authorized for use as components in systems intended for surgical implant into the body, or other applications intended to support or sustain life, or for any other application in which the failure of the Motorola product could create a situation where personal injury or death may occur. Should Buyer purchase or use Motorola products for any such unintended or unauthorized application, Buyer shall indemnify and hold Motorola and its officers, employees, subsidiaries, affiliates, and distributors harmless against all claims, costs, damages, and expenses, and reasonable attorney fees arising out of, directly or indirectly, any claim of personal injury or death associated with such unintended or unauthorized use, even if such claim alleges that Motorola was negligent regarding the design or manufacture of the part. Motorola and  are registered trademarks of Motorola, Inc. Motorola, Inc. is an Equal Opportunity/Affirmative Action Employer.

**How to reach us:**

**USA / EUROPE:** Motorola Literature Distribution;  
P.O. Box 20912; Phoenix, Arizona 85036. 1-800-441-2447

**JAPAN:** Nippon Motorola Ltd.; Tatsumi-SPD-JLDC, Toshikatsu Otsuki,  
6F Seibu-Butsuryu-Center, 3-14-2 Tatsumi Koto-Ku, Tokyo 135, Japan. 03-3521-8315

**MFAX:** RMFAX0@email.sps.mot.com - TOUCHTONE (602) 244-6609  
**INTERNET:** <http://Design-NET.com>

**HONG KONG:** Motorola Semiconductors H.K. Ltd.; 8B Tai Ping Industrial Park,  
51 Ting Kok Road, Tai Po, N.T., Hong Kong. 852-26629298

