



DECADE COUNTER; DIVIDE-BY-TWELVE COUNTER; 4-BIT BINARY COUNTER

The SN54/74LS90, SN54/74LS92 and SN54/74LS93 are high-speed 4-bit ripple type counters partitioned into two sections. Each counter has a divide-by-two section and either a divide-by-five (LS90), divide-by-six (LS92) or divide-by-eight (LS93) section which are triggered by a HIGH-to-LOW transition on the clock inputs. Each section can be used separately or tied together (Q to CP) to form BCD, bi-quinary, modulo-12, or modulo-16 counters. All of the counters have a 2-input gated Master Reset (Clear), and the LS90 also has a 2-input gated Master Set (Preset 9).

- Low Power Consumption . . . Typically 45 mW
- High Count Rates . . . Typically 42 MHz
- Choice of Counting Modes . . . BCD, Bi-Quinary, Divide-by-Twelve, Binary
- Input Clamp Diodes Limit High Speed Termination Effects

PIN NAMES

CP ₀	Clock (Active LOW going edge) Input to +2 Section
CP ₁	Clock (Active LOW going edge) Input to +5 Section (LS90), +6 Section (LS92)
CP ₁	Clock (Active LOW going edge) Input to +8 Section (LS93)
MR ₁ , MR ₂	Master Reset (Clear) Inputs
MS ₁ , MS ₂	Master Set (Preset-9, LS90) Inputs
Q ₀	Output from +2 Section (Notes b & c)
Q ₁ , Q ₂ , Q ₃	Outputs from +5 (LS90), +6 (LS92), +8 (LS93) Sections (Note b)

LOADING (Note a)

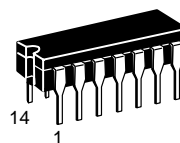
	HIGH	LOW
CP ₀	0.5 U.L.	1.5 U.L.
CP ₁	0.5 U.L.	2.0 U.L.
CP ₁	0.5 U.L.	1.0 U.L.
MR ₁ , MR ₂	0.5 U.L.	0.25 U.L.
MS ₁ , MS ₂	0.5 U.L.	0.25 U.L.
Q ₀	10 U.L.	5 (2.5) U.L.
Q ₁ , Q ₂ , Q ₃	10 U.L.	5 (2.5) U.L.

NOTES:

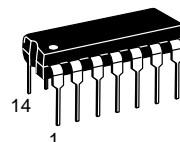
- 1 TTL Unit Load (U.L.) = 40 μ A HIGH/1.6 mA LOW.
- The Output LOW drive factor is 2.5 U.L. for Military, (54) and 5 U.L. for commercial (74) Temperature Ranges.
- The Q₀ Outputs are guaranteed to drive the full fan-out plus the CP₁ input of the device.
- To insure proper operation the rise (t_r) and fall time (t_f) of the clock must be less than 100 ns.

**SN54/74LS90
SN54/74LS92
SN54/74LS93**

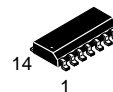
**DECADE COUNTER;
DIVIDE-BY-TWELVE COUNTER;
4-BIT BINARY COUNTER**
LOW POWER SCHOTTKY



**J SUFFIX
CERAMIC
CASE 632-08**



**N SUFFIX
PLASTIC
CASE 646-06**

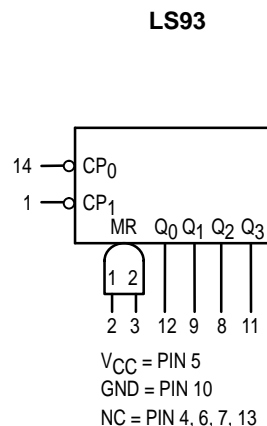
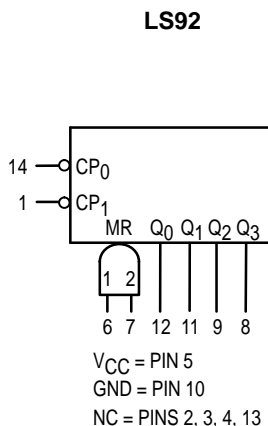
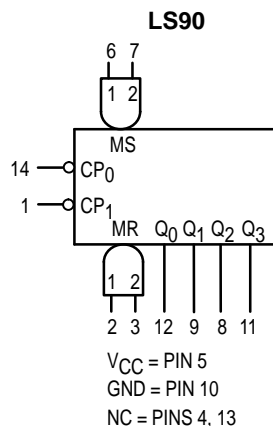


**D SUFFIX
SOIC
CASE 751A-02**

ORDERING INFORMATION

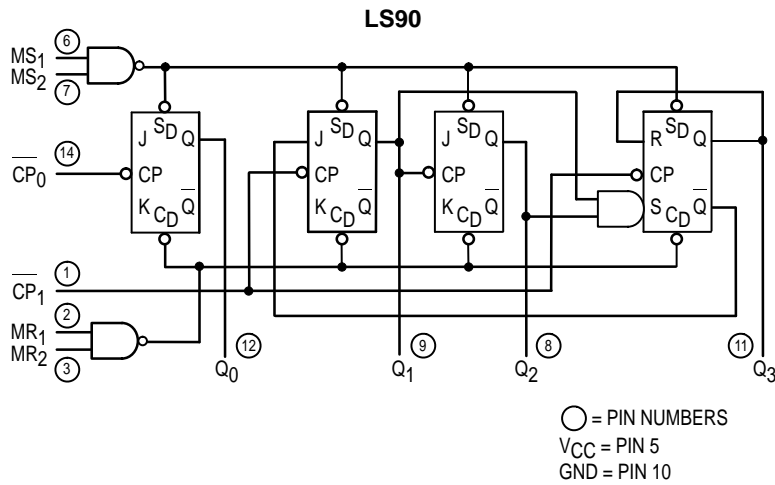
SN54LSXXJ	Ceramic
SN74LSXXN	Plastic
SN74LSXXD	SOIC

LOGIC SYMBOL

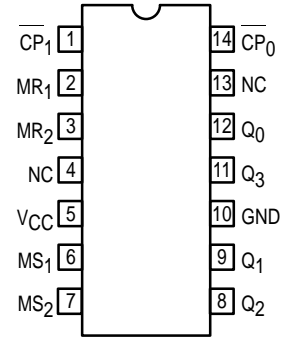


SN54/74LS90 • SN54/74LS92 • SN54/74LS93

LOGIC DIAGRAM



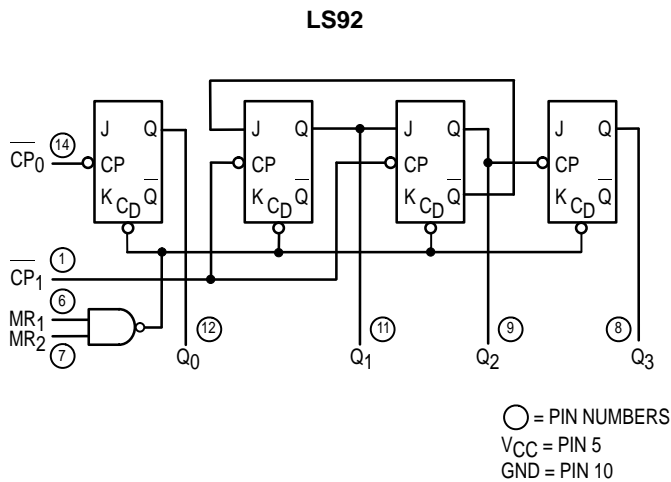
CONNECTION DIAGRAM DIP (TOP VIEW)



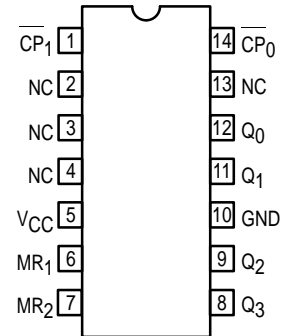
NC = NO INTERNAL CONNECTION

NOTE:
The Flatpak version has the same pinouts (Connection Diagram) as the Dual In-Line Package.

LOGIC DIAGRAM



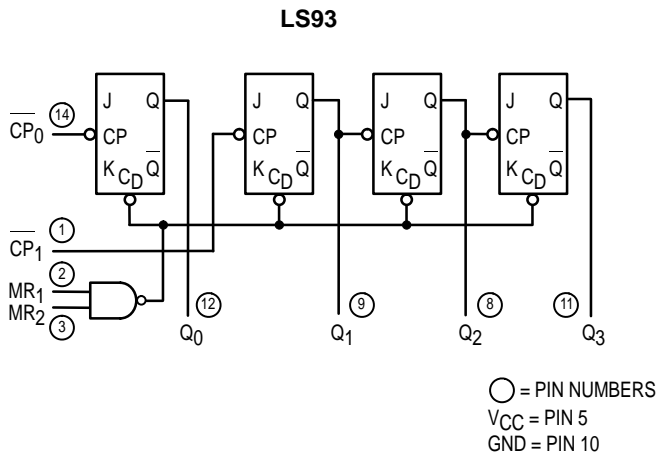
CONNECTION DIAGRAM DIP (TOP VIEW)



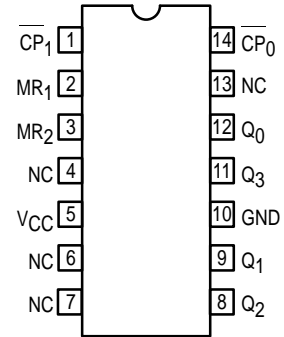
NC = NO INTERNAL CONNECTION

NOTE:
The Flatpak version has the same pinouts (Connection Diagram) as the Dual In-Line Package.

LOGIC DIAGRAM



CONNECTION DIAGRAM DIP (TOP VIEW)



NC = NO INTERNAL CONNECTION

NOTE:
The Flatpak version has the same pinouts (Connection Diagram) as the Dual In-Line Package.

SN54/74LS90 • SN54/74LS92 • SN54/74LS93

FUNCTIONAL DESCRIPTION

The LS90, LS92, and LS93 are 4-bit ripple type Decade, Divide-By-Twelve, and Binary Counters respectively. Each device consists of four master/slave flip-flops which are internally connected to provide a divide-by-two section and a divide-by-five (LS90), divide-by-six (LS92), or divide-by-eight (LS93) section. Each section has a separate clock input which initiates state changes of the counter on the HIGH-to-LOW clock transition. State changes of the Q outputs do not occur simultaneously because of internal ripple delays. Therefore, decoded output signals are subject to decoding spikes and should not be used for clocks or strobes. The Q₀ output of each device is designed and specified to drive the rated fan-out plus the CP₁ input of the device.

A gated AND asynchronous Master Reset (MR₁ • MR₂) is provided on all counters which overrides and clocks and resets (clears) all the flip-flops. A gated AND asynchronous Master Set (MS₁ • MS₂) is provided on the LS90 which overrides the clocks and the MR inputs and sets the outputs to nine (HLLH).

Since the output from the divide-by-two section is not internally connected to the succeeding stages, the devices may be operated in various counting modes.

LS90

- A. BCD Decade (8421) Counter — The CP₁ input must be externally connected to the Q₀ output. The CP₀ input receives the incoming count and a BCD count sequence is produced.
- B. Symmetrical Bi-quinary Divide-By-Ten Counter — The Q₃ output must be externally connected to the CP₀ input. The input count is then applied to the CP₁ input and a divide-by-ten square wave is obtained at output Q₀.

- C. Divide-By-Two and Divide-By-Five Counter — No external interconnections are required. The first flip-flop is used as a binary element for the divide-by-two function (CP₀ as the input and Q₀ as the output). The CP₁ input is used to obtain binary divide-by-five operation at the Q₃ output.

LS92

- A. Modulo 12, Divide-By-Twelve Counter — The CP₁ input must be externally connected to the Q₀ output. The CP₀ input receives the incoming count and Q₃ produces a symmetrical divide-by-twelve square wave output.
- B. Divide-By-Two and Divide-By-Six Counter — No external interconnections are required. The first flip-flop is used as a binary element for the divide-by-two function. The CP₁ input is used to obtain divide-by-three operation at the Q₁ and Q₂ outputs and divide-by-six operation at the Q₃ output.

LS93

- A. 4-Bit Ripple Counter — The output Q₀ must be externally connected to input CP₁. The input count pulses are applied to input CP₀. Simultaneous divisions of 2, 4, 8, and 16 are performed at the Q₀, Q₁, Q₂, and Q₃ outputs as shown in the truth table.
- B. 3-Bit Ripple Counter — The input count pulses are applied to input CP₁. Simultaneous frequency divisions of 2, 4, and 8 are available at the Q₁, Q₂, and Q₃ outputs. Independent use of the first flip-flop is available if the reset function coincides with reset of the 3-bit ripple-through counter.

SN54/74LS90 • SN54/74LS92 • SN54/74LS93

**LS90
MODE SELECTION**

RESET/SET INPUTS				OUTPUTS			
MR ₁	MR ₂	MS ₁	MS ₂	Q ₀	Q ₁	Q ₂	Q ₃
H	H	L	X	L	L	L	L
H	H	X	L	L	L	L	L
X	X	H	H	H	L	L	H
L	X	L	X	Count			
X	L	X	L	Count			
L	X	X	L	Count			
L	L	L	X	Count			

H = HIGH Voltage Level
L = LOW Voltage Level
X = Don't Care

**LS92 AND LS93
MODE SELECTION**

RESET INPUTS		OUTPUTS			
MR ₁	MR ₂	Q ₀	Q ₁	Q ₂	Q ₃
H	H	L	L	L	L
L	H	Count			
H	L	Count			
L	L	Count			

H = HIGH Voltage Level
L = LOW Voltage Level
X = Don't Care

**LS90
BCD COUNT SEQUENCE**

COUNT	OUTPUT			
	Q ₀	Q ₁	Q ₂	Q ₃
0	L	L	L	L
1	H	L	L	L
2	L	H	L	L
3	H	H	L	L
4	L	L	H	L
5	H	L	H	L
6	L	H	H	L
7	H	H	H	L
8	L	L	L	H
9	H	L	L	H

NOTE: Output Q₀ is connected to Input CP₁ for BCD count.

**LS92
TRUTH TABLE**

COUNT	OUTPUT			
	Q ₀	Q ₁	Q ₂	Q ₃
0	L	L	L	L
1	H	L	L	L
2	L	H	L	L
3	H	H	L	L
4	L	L	H	L
5	H	L	H	L
6	L	L	L	H
7	H	L	L	H
8	L	H	L	H
9	H	H	L	H
10	L	L	H	H
11	H	L	H	H

NOTE: Output Q₀ is connected to Input CP₁.

**LS93
TRUTH TABLE**

COUNT	OUTPUT			
	Q ₀	Q ₁	Q ₂	Q ₃
0	L	L	L	L
1	H	L	L	L
2	L	H	L	L
3	H	H	L	L
4	L	L	H	L
5	H	L	H	L
6	L	H	H	L
7	H	H	H	L
8	L	L	L	H
9	H	L	L	H
10	L	H	L	H
11	H	H	L	H
12	L	L	H	H
13	H	L	H	H
14	L	H	H	H
15	H	H	H	H

NOTE: Output Q₀ is connected to Input CP₁.

SN54/74LS90 • SN54/74LS92 • SN54/74LS93

GUARANTEED OPERATING RANGES

Symbol	Parameter		Min	Typ	Max	Unit
V _{CC}	Supply Voltage	54 74	4.5 4.75	5.0 5.0	5.5 5.25	V
T _A	Operating Ambient Temperature Range	54 74	-55 0	25 25	125 70	°C
I _{OH}	Output Current — High	54, 74			-0.4	mA
I _{OL}	Output Current — Low	54 74			4.0 8.0	mA

DC CHARACTERISTICS OVER OPERATING TEMPERATURE RANGE (unless otherwise specified)

Symbol	Parameter		Limits			Unit	Test Conditions
			Min	Typ	Max		
V _{IH}	Input HIGH Voltage		2.0			V	Guaranteed Input HIGH Voltage for All Inputs
V _{IL}	Input LOW Voltage	54			0.7	V	Guaranteed Input LOW Voltage for All Inputs
		74			0.8		
V _{IK}	Input Clamp Diode Voltage			-0.65	-1.5	V	V _{CC} = MIN, I _{IN} = -18 mA
V _{OH}	Output HIGH Voltage	54	2.5	3.5		V	V _{CC} = MIN, I _{OH} = MAX, V _{IN} = V _{IH} or V _{IL} per Truth Table
		74	2.7	3.5		V	
V _{OL}	Output LOW Voltage	54, 74		0.25	0.4	V	I _{OL} = 4.0 mA
		74		0.35	0.5	V	I _{OL} = 8.0 mA
I _{IH}	Input HIGH Current				20	μA	V _{CC} = MAX, V _{IN} = 2.7 V
					0.1	mA	V _{CC} = MAX, V _{IN} = 7.0 V
I _{IL}	Input LOW Current MS, MR CP ₀ CP ₁ (LS90, LS92) CP ₁ (LS93)				-0.4 -2.4 -3.2 -1.6	mA	V _{CC} = MAX, V _{IN} = 0.4 V
I _{OS}	Short Circuit Current (Note 1)		-20		-100	mA	V _{CC} = MAX
I _{CC}	Power Supply Current				15	mA	V _{CC} = MAX

Note 1: Not more than one output should be shorted at a time, nor for more than 1 second.

SN54/74LS90 • SN54/74LS92 • SN54/74LS93

AC CHARACTERISTICS ($T_A = 25^\circ\text{C}$, $V_{CC} = 5.0\text{ V}$, $C_L = 15\text{ pF}$)

Symbol	Parameter	Limits									Unit
		LS90			LS92			LS93			
		Min	Typ	Max	Min	Typ	Max	Min	Typ	Max	
f_{MAX}	$\overline{\text{CP}}_0$ Input Clock Frequency	32			32			32			MHz
f_{MAX}	$\overline{\text{CP}}_1$ Input Clock Frequency	16			16			16			MHz
t_{PLH} t_{PHL}	Propagation Delay, $\overline{\text{CP}}_0$ Input to Q_0 Output		10 12	16 18		10 12	16 18		10 12	16 18	ns
t_{PLH} t_{PHL}	$\overline{\text{CP}}_0$ Input to Q_3 Output		32 34	48 50		32 34	48 50		46 46	70 70	ns
t_{PLH} t_{PHL}	$\overline{\text{CP}}_1$ Input to Q_1 Output		10 14	16 21		10 14	16 21		10 14	16 21	ns
t_{PLH} t_{PHL}	$\overline{\text{CP}}_1$ Input to Q_2 Output		21 23	32 35		10 14	16 21		21 23	32 35	ns
t_{PLH} t_{PHL}	$\overline{\text{CP}}_1$ Input to Q_3 Output		21 23	32 35		21 23	32 35		34 34	51 51	ns
t_{PLH}	MS Input to Q_0 and Q_3 Outputs		20	30							ns
t_{PHL}	MS Input to Q_1 and Q_2 Outputs		26	40							ns
t_{PHL}	MR Input to Any Output		26	40		26	40		26	40	ns

AC SETUP REQUIREMENTS ($T_A = 25^\circ\text{C}$, $V_{CC} = 5.0\text{ V}$)

Symbol	Parameter	Limits						Unit
		LS90		LS92		LS93		
		Min	Max	Min	Max	Min	Max	
t_W	$\overline{\text{CP}}_0$ Pulse Width	15		15		15		ns
t_W	$\overline{\text{CP}}_1$ Pulse Width	30		30		30		ns
t_W	MS Pulse Width	15						ns
t_W	MR Pulse Width	15		15		15		ns
t_{rec}	Recovery Time MR to CP	25		25		25		ns

RECOVERY TIME (t_{rec}) is defined as the minimum time required between the end of the reset pulse and the clock transition from HIGH-to-LOW in order to recognize and transfer HIGH data to the Q outputs

AC WAVEFORMS

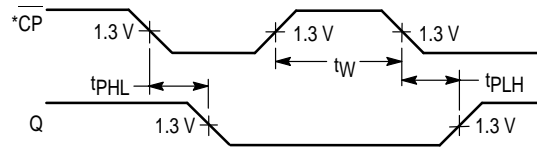


Figure 1

*The number of Clock Pulses required between the t_{PHL} and t_{PLH} measurements can be determined from the appropriate Truth Tables.

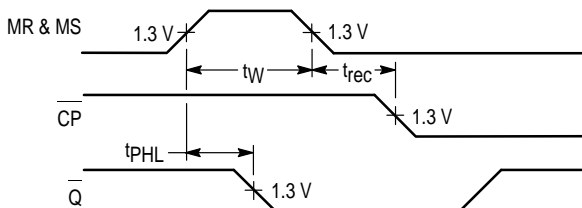


Figure 2

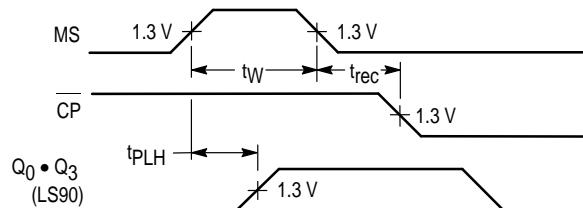


Figure 3