



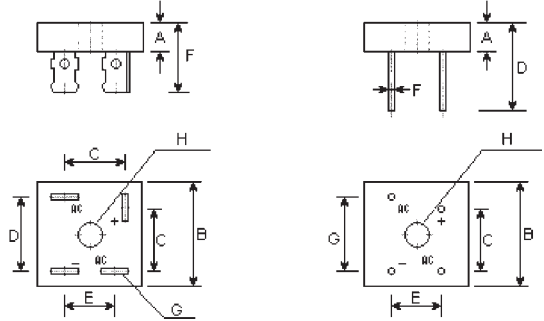
KBPC10,15,25,35 SERIES

SINGLE-PHASE SILICON BRIDGE
Reverse Voltage - 50 to 1000 Volts
Forward Current - 10.0/15.0/25.0/35.0 Amperes

Features

- Surge overload 200-400 amperes peak
- Low forward voltage drop
- Mounting position: Any
- Electrically isolated base-1800 volts
- Solderable 0.25" FASTON terminals
- Materials used carries U/L recognition

KBPC



DIMENSIONS					
DIM	inches		mm		Note
	Min.	Max.	Min.	Max.	
A	0.432	0.442	10.97	11.23	
B	1.12	1.13	28.4	28.7	
C	0.612	0.692	15.5	17.6	
D	0.672	0.752	17.1	19.1	
E	0.512	0.590	13	15	
F	-	1.0	-	25.4	
H	HOLE FOR NO.8 SCREW 0.193(4.9) DIA				

DIMENSIONS					
DIM	inches		mm		Note
	Min.	Max.	Min.	Max.	
A	0.432	0.442	10.97	11.23	
B	1.12	1.13	28.4	28.7	
C	0.410	0.490	10.4	12.4	
D	1.2	-	30.5	-	
E	0.672	0.752	17.1	19.1	
F	0.04(1.0) DIA Typ.				
G	0.672	0.752	17.1	19.1	
H	HOLE FOR NO. 8 SCREW 0.193(4.9) DIA				

Maximum Ratings and Electrical Characteristics

Ratings at 25°C ambient temperature unless otherwise specified. Resistive or inductive load 60Hz
 For capacitive load, derate current by 20%.

	Symbols	KBPC10005 KBPC15005 KBPC25005 KBPC35005	KBPC1001 KBPC1501 KBPC2501 KBPC3501	KBPC1002 KBPC1502 KBPC2502 KBPC3502	KBPC1004 KBPC1504 KBPC2504 KBPC3504	KBPC1006 KBPC1506 KBPC2506 KBPC3506	KBPC1008 KBPC1508 KBPC2508 KBPC3508	KBPC1010 KBPC1510 KBPC2510 KBPC3510	Units	
Maximum repetitive peak reverse voltage	V_{RRM}	50	100	200	400	600	800	1000	Volts	
Maximum RMS bridge input voltage	V_{RMS}	35	70	140	280	420	560	700	Volts	
Maximum average forward rectified output current at $T_c=55^\circ\text{C}$	$I_{(AV)}$	KBPC10: 10.0 KBPC15: 15.0 KBPC25: 25.0 KBPC35: 35.0								Amps
Peak forward surge current, 8.3mS single half sine-wave superimposed on rated load	I_{FSM}	KBPC10: 200.0 KBPC15: 300.0 KBPC25: 300.0 KBPC35: 400.0								Amps
Maximum forward Voltage drop per element at 5.0/7.5/12.5/17.5A peak	V_F	1.2								Volts
Maximum DC reverse current at rated DC blocking voltage per element $T_A=25^\circ\text{C}$	I_R	10.0								μA
Operating temperature range	T_J	-55 to +125								$^\circ\text{C}$
Storage temperature range	T_{STG}	-55 to +150								$^\circ\text{C}$

Note:

(1) Also available on KBPC10W / 15W / 25W / 35W series

RATINGS AND CHARACTERISTIC CURVES

Fig. 1 — MAXIMUM FORWARD SURGE CURRENT

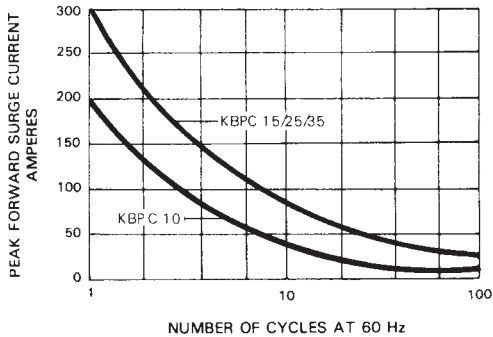


Fig. 2 — DERATING CURVE FOR OUTPUT RECTIFIED CURRENT

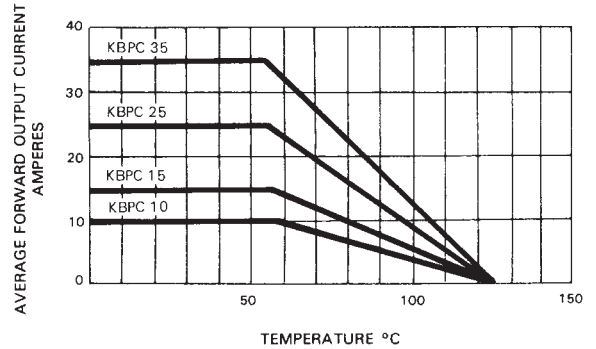


Fig. 3 — TYPICAL FORWARD CHARACTERISTICS

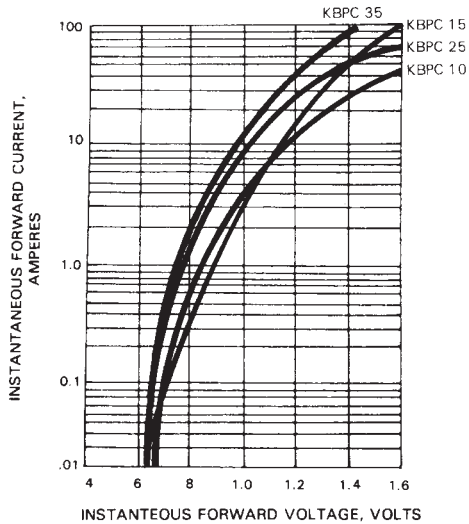


Fig. 4 — TYPICAL REVERSE CHARACTERISTICS

