



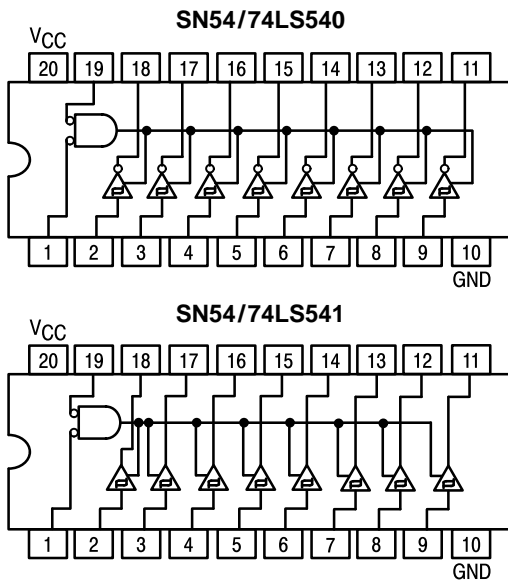
# OCTAL BUFFER/LINE DRIVER WITH 3-STATE OUTPUTS

The SN54/74LS540 and SN54/74LS541 are octal buffers and line drivers with the same functions as the LS240 and LS241, but with pinouts on the opposite side of the package.

These device types are designed to be used as memory address drivers, clock drivers and bus-oriented transmitters/receivers. These devices are especially useful as output ports for the microprocessors, allowing ease of layout and greater PC board density.

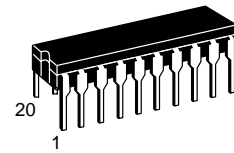
- Hysteresis at Inputs to Improve Noise Margin
- PNP Inputs Reduce Loading
- 3-State Outputs Drive Bus Lines
- Inputs and Outputs Opposite Side of Package, Allowing Easier Interface to Microprocessors
- Input Clamp Diodes Limit High-Speed Termination Effects

## LOGIC AND CONNECTION DIAGRAMS DIP (TOP VIEW)

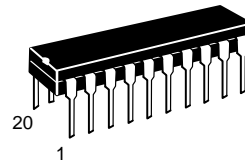


**SN54/74LS540  
SN54/74LS541**

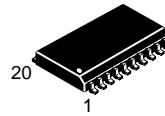
**OCTAL BUFFER/LINE DRIVER  
WITH 3-STATE OUTPUTS  
LOW POWER SCHOTTKY**



**J SUFFIX  
CERAMIC  
CASE 732-03**



**N SUFFIX  
PLASTIC  
CASE 738-03**



**DW SUFFIX  
SOIC  
CASE 751D-03**

## ORDERING INFORMATION

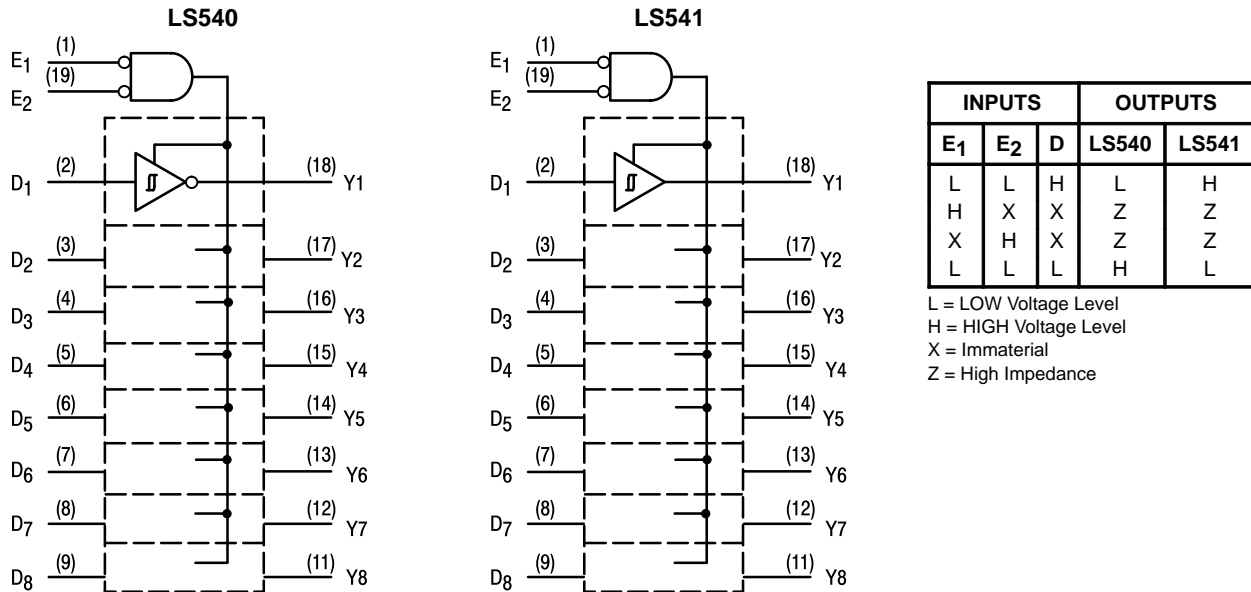
SN54LSXXXJ Ceramic  
SN74LSXXXN Plastic  
SN74LSXXXDW SOIC

## GUARANTEED OPERATING RANGES

Symbol	Parameter		Min	Typ	Max	Unit
V <sub>CC</sub>	Supply Voltage	54	4.5	5.0	5.5	V
		74	4.75	5.0	5.25	
T <sub>A</sub>	Operating Ambient Temperature Range	54	-55	25	125	°C
		74	0	25	70	
I <sub>OH</sub>	Output Current — High	54			-12	mA
		74			-15	
I <sub>OL</sub>	Output Current — Low	54			12	mA
		74			24	

# SN54/74LS540 • SN54/74LS541

## BLOCK DIAGRAM



### DC CHARACTERISTICS OVER OPERATING TEMPERATURE RANGE (unless otherwise specified)

Symbol	Parameter	Limits			Unit	Test Conditions	
		Min	Typ	Max			
$V_{IH}$	Input HIGH Voltage	2.0			V	Guaranteed Input HIGH Voltage for All Inputs	
$V_{IL}$	Input LOW Voltage	54		0.7	V	Guaranteed Input LOW Voltage for All Inputs	
		74		0.8			
$V_{IK}$	Input Clamp Diode Voltage		-0.65	-1.5	V	$V_{CC} = \text{MIN}$ , $I_{IN} = -18 \text{ mA}$	
$V_{OH}$	Output HIGH Voltage	54, 74	2.4	3.4	V	$V_{CC} = \text{MIN}$ , $I_{OH} = -3.0 \text{ mA}$	
		54, 74	2.0		V	$V_{CC} = \text{MIN}$ , $I_{OH} = \text{MAX}$ , $V_{IL} = 0.5 \text{ V}$	
$V_{OL}$	Output LOW Voltage	54, 74		0.25	0.4	V	$I_{OL} = 12 \text{ mA}$ $V_{CC} = V_{CC} \text{ MIN}$ , $V_{IN} = V_{IL} \text{ or } V_{IH}$ per Truth Table
		74		0.35	0.5	V	
$V_{T+}-V_{T-}$	Hysteresis	0.2	0.4		V	$V_{CC} = \text{MIN}$	
$I_{OZH}$	Output Off Current HIGH			20	$\mu\text{A}$	$V_{CC} = \text{MAX}$ , $V_{OUT} = 2.7 \text{ V}$	
$I_{OZL}$	Output Off Current LOW			-20	$\mu\text{A}$	$V_{CC} = \text{MAX}$ , $V_{OUT} = 0.4 \text{ V}$	
$I_{IH}$	Input HIGH Current			20	$\mu\text{A}$	$V_{CC} = \text{MAX}$ , $V_{IN} = 2.7 \text{ V}$	
				0.1	mA	$V_{CC} = \text{MAX}$ , $V_{IN} = 7.0 \text{ V}$	
$I_{IL}$	Input LOW Current			-0.2	mA	$V_{CC} = \text{MAX}$ , $V_{IN} = 0.4 \text{ V}$	
$I_{OS}$	Short Circuit Current (Note 1)	-40		-225	mA	$V_{CC} = \text{MAX}$	
$I_{CC}$	Power Supply Current Total, Output HIGH	LS540		25	mA	$V_{CC} = \text{MAX}$	
		LS541		32	mA		
	Total, Output LOW	LS540		45	mA		
		LS541		52	mA		
	Total Output 3-State	LS540		52	mA		
		LS541		55	mA		

Note 1: Not more than one output should be shorted at a time, nor for more than 1 second.

# SN54/74LS540 • SN54/74LS541

## AC CHARACTERISTICS ( $T_A = 25^\circ\text{C}$ )

Symbol	Parameter	Limits			Unit	Test Conditions
		Min	Typ	Max		
t <sub>PLH</sub>	Propagation Delay, Data to Output	LS540	9.0	15	ns	V <sub>CC</sub> = 5.0 V C <sub>L</sub> = 45 pF R <sub>L</sub> = 667 Ω
t <sub>PLH</sub>		LS541	12	15		
t <sub>PHL</sub>		LS540	12	15		
t <sub>PHL</sub>		LS541	12	18		
t <sub>PZH</sub>	Output Enable Time to HIGH Level	LS540	15	25	ns	C <sub>L</sub> = 5.0 pF
t <sub>PZH</sub>		LS541	15	32		
t <sub>PZL</sub>	Output Enable Time to LOW Level	LS540	20	38	ns	
t <sub>PZL</sub>		LS541	20	38		
t <sub>PHZ</sub>	Output Disable Time to HIGH Level	LS540	10	18	ns	
t <sub>PHZ</sub>		LS541	10	18		
t <sub>PLZ</sub>	Output Disable Time to LOW Level	LS540	15	25	ns	
t <sub>PLZ</sub>		LS541	15	29		

## AC WAVEFORMS

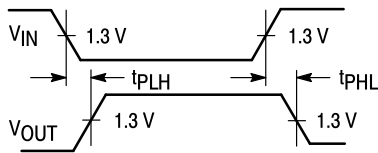


Figure 1

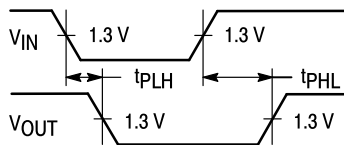


Figure 2

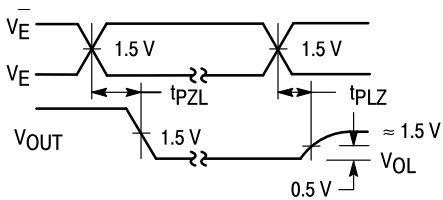


Figure 3

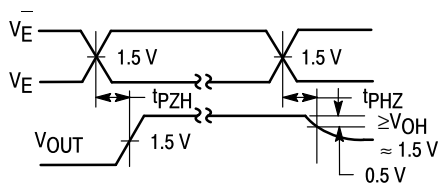
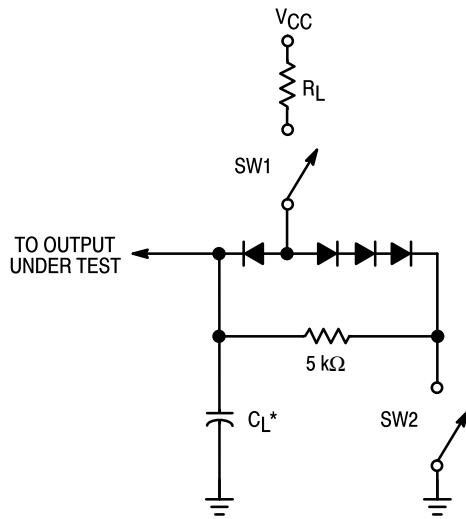


Figure 4

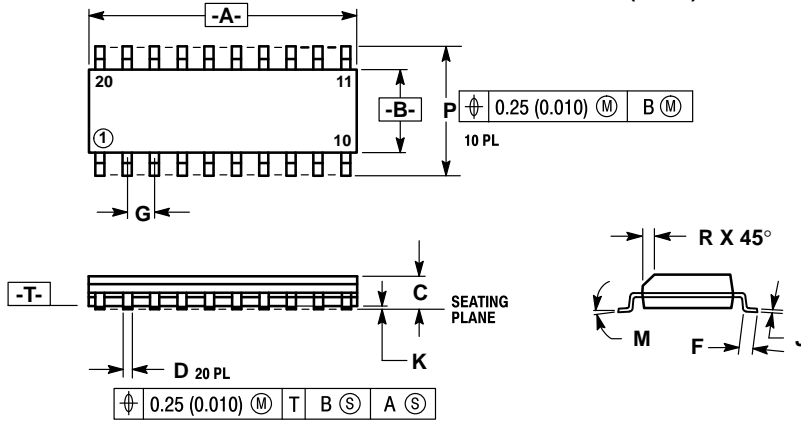


## SWITCH POSITIONS

SYMBOL	SW1	SW2
t <sub>PZH</sub>	Open	Closed
t <sub>PZL</sub>	Closed	Open
t <sub>PLZ</sub>	Closed	Closed
t <sub>PHZ</sub>	Closed	Closed

Figure 5

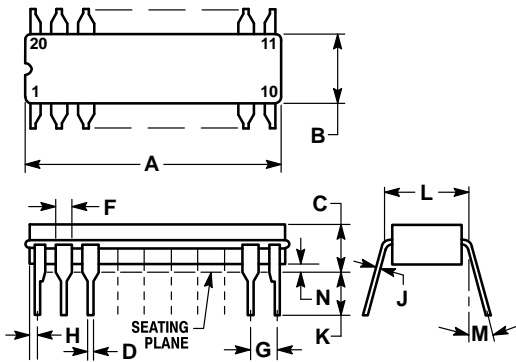
**Case 751D-03 DW Suffix  
20-Pin Plastic  
SO-20 (WIDE)**



- NOTES:
1. DIMENSIONING AND TOLERANCING PER ANSI Y14.5M, 1982.
  2. CONTROLLING DIMENSION: MILLIMETER.
  3. DIMENSION A AND B DO NOT INCLUDE MOLD PROTRUSION.
  4. MAXIMUM MOLD PROTRUSION 0.15 (0.006) PER SIDE.
  5. 751D-01, AND -02 OBSOLETE, NEW STANDARD 751D-03.

DIM	MILLIMETERS		INCHES	
	MIN	MAX	MIN	MAX
A	12.65	12.95	0.499	0.510
B	7.40	7.60	0.292	0.299
C	2.35	2.65	0.093	0.104
D	0.35	0.49	0.014	0.019
F	0.50	0.90	0.020	0.035
G	1.27 BSC	0.050 BSC		
J	0.25	0.32	0.010	0.012
K	0.10	0.25	0.004	0.009
M	0°	7°	0°	7°
P	10.05	10.55	0.395	0.415
R	0.25	0.75	0.010	0.029

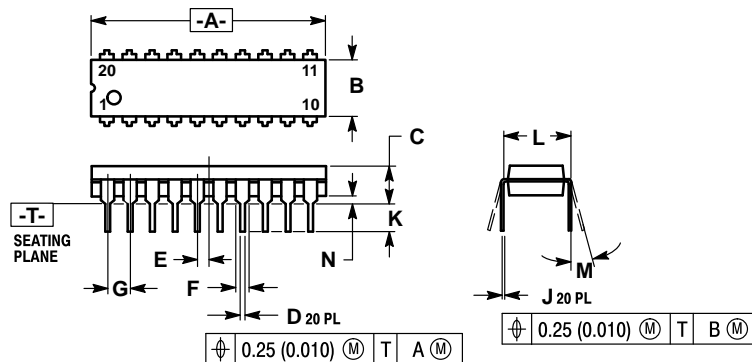
**Case 732-03 J Suffix  
20-Pin Ceramic Dual In-Line**



- NOTES:
1. LEADS WITHIN 0.25 mm (0.010) DIA., TRUE POSITION AT SEATING PLANE, AT MAXIMUM MATERIAL CONDITION.
  2. DIM L TO CENTER OF LEADS WHEN FORMED PARALLEL.
  3. DIM A AND B INCLUDES MENISCUS.

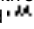
DIM	MILLIMETERS		INCHES	
	MIN	MAX	MIN	MAX
A	23.88	25.15	0.940	0.990
B	6.60	7.49	0.260	0.295
C	3.81	5.08	0.150	0.200
D	0.38	0.56	0.015	0.022
F	1.40	1.65	0.055	0.065
G	2.54 BSC	0.100 BSC		
H	0.51	1.27	0.020	0.050
J	0.20	0.30	0.008	0.012
K	3.18	4.06	0.125	0.160
L	7.62 BSC	0.300 BSC		
M	0°	15°	0°	15°
N	0.25	1.02	0.010	0.040

**Case 738-03 N Suffix  
20-Pin Plastic**



- NOTES:
1. DIMENSIONING AND TOLERANCING PER ANSI Y14.5M, 1982.
  2. CONTROLLING DIMENSION: INCH.
  3. DIMENSION "L" TO CENTER OF LEAD WHEN FORMED PARALLEL.
  4. DIMENSION "B" DOES NOT INCLUDE MOLD FLASH.
  5. 738-02 OBSOLETE, NEW STANDARD 738-03.

DIM	MILLIMETERS		INCHES	
	MIN	MAX	MIN	MAX
A	25.66	27.17	1.010	1.070
B	6.10	6.60	0.240	0.260
C	3.81	4.57	0.150	0.180
D	0.39	0.55	0.015	0.022
E	1.27 BSC	0.050 BSC		
F	1.27	1.77	0.050	0.070
G	2.54 BSC	0.100 BSC		
J	0.21	0.38	0.008	0.015
K	2.80	3.55	0.110	0.140
L	7.62 BSC	0.300 BSC		
M	0°	15°	0°	15°
N	0.51	1.01	0.020	0.040

Motorola reserves the right to make changes without further notice to any products herein. Motorola makes no warranty, representation or guarantee regarding the suitability of its products for any particular purpose, nor does Motorola assume any liability arising out of the application or use of any product or circuit, and specifically disclaims any and all liability, including without limitation consequential or incidental damages. "Typical" parameters can and do vary in different applications. All operating parameters, including "Typicals" must be validated for each customer application by customer's technical experts. Motorola does not convey any license under its patent rights nor the rights of others. Motorola products are not designed, intended, or authorized for use as components in systems intended for surgical implant into the body, or other applications intended to support or sustain life, or for any other application in which the failure of the Motorola product could create a situation where personal injury or death may occur. Should Buyer purchase or use Motorola products for any such unintended or unauthorized application, Buyer shall indemnify and hold Motorola and its officers, employees, subsidiaries, affiliates, and distributors harmless against all claims, costs, damages, and expenses, and reasonable attorney fees arising out of, directly or indirectly, any claim of personal injury or death associated with such unintended or unauthorized use, even if such claim alleges that Motorola was negligent regarding the design or manufacture of the part. Motorola and  are registered trademarks of Motorola, Inc. Motorola, Inc. is an Equal Opportunity/Affirmative Action Employer.

**Literature Distribution Centers:**

USA: Motorola Literature Distribution; P.O. Box 20912; Phoenix, Arizona 85036.

EUROPE: Motorola Ltd.; European Literature Centre; 88 Tanners Drive, Blakelands, Milton Keynes, MK14 5BE, England.

JAPAN: Nippon Motorola Ltd.; 4-32-1, Nishi-Gotanda, Shinagawa-ku, Tokyo 141, Japan.

ASIA PACIFIC: Motorola Semiconductors H.K. Ltd.; Silicon Harbour Center, No. 2 Dai King Street, Tai Po Industrial Estate, Tai Po, N.T., Hong Kong.

SYMBOL	SW1	SW2
tpZH	Open	Closed
tpZL	Closed	Open
tpLZ	Closed	Closed

