



F100131 Triple D Flip-Flop

General Description

The F100131 contains three D-type, edge-triggered master/slave flip-flops with true and complement outputs, a Common Clock (CP_C), and Master Set (MS) and Master Reset (MR) inputs. Each flip-flop has individual Clock (CP_n), Direct Set (SD_n) and Direct Clear (CD_n) inputs. Data enters a master when both CP_n and CP_C are LOW and transfers to a slave when CP_n or CP_C (or both) go HIGH. The Master Set,

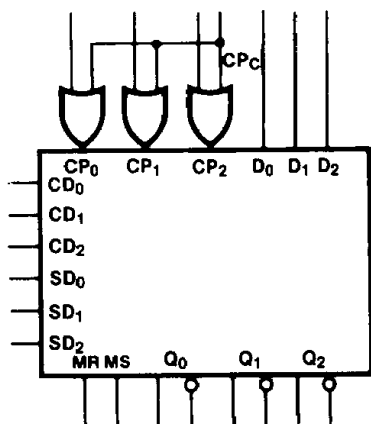
Master Reset and individual CD_n and SD_n inputs override the Clock inputs. All inputs have 50 k Ω pull-down resistors.

Refer to the F100331 datasheet for:

- PCC packaging
- Lower power
- Military versions
- Extended voltage specs (-4.2V to -5.7V)

Ordering Code: See Section 8

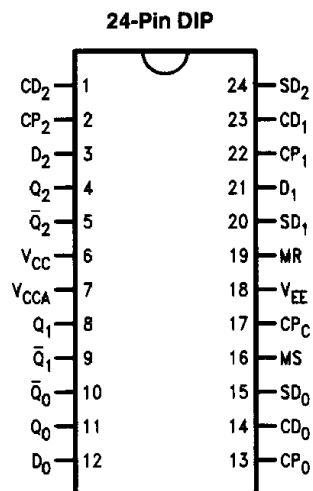
Logic Symbol



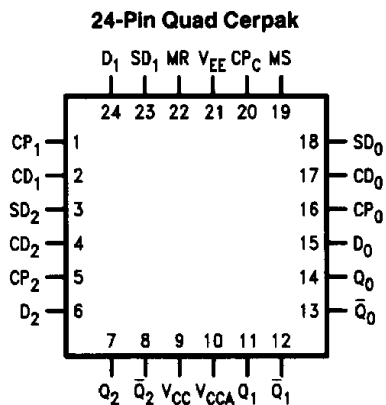
TL/F/9853-3

Pin Names	Description
CP_0 - CP_2	Individual Clock Inputs
CP_C	Common Clock Input
D_0 - D_2	Data Inputs
CD_0 - CD_2	Individual Direct Clear Inputs
SD_n	Individual Direct Set Inputs
MR	Master Reset Input
MS	Master Set Input
Q_0 - Q_2	Data Outputs
\bar{Q}_0 - \bar{Q}_2	Complementary Data Outputs

Connection Diagrams

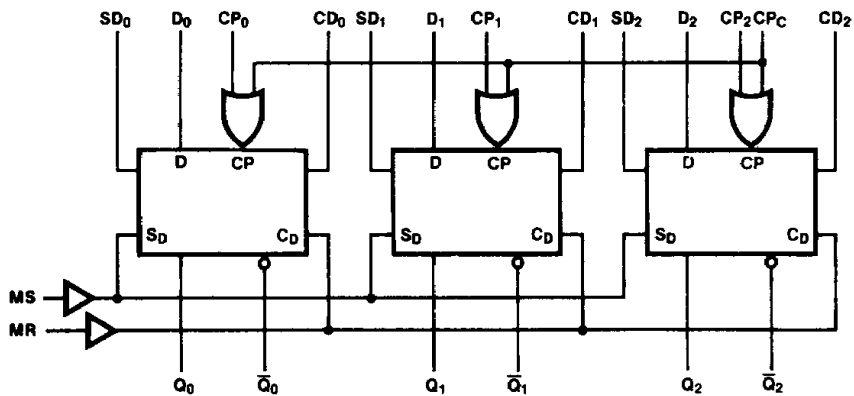


TL/F/9853-1



TL/F/9853-2

Logic Diagram



TL/F/9853-5

Truth Tables (Each Flip-Flop)

Synchronous Operation

Inputs					Outputs
D _n	CP _n	CP _C	MS SD _n	MR CD _n	Q _n (t+1)
L	↗	L	L	L	L
H	↗	L	L	L	H
L	L	↗	L	L	L
H	L	↗	L	L	H
X	L	L	L	L	Q _n (t)
X	H	X	L	L	Q _n (t)
X	X	H	L	L	Q _n (t)

Asynchronous Operation

Inputs					Outputs
D _n	CP _n	CP _C	MS SD _n	MR CD _n	Q _n (t+1)
X	X	X	H	L	H
X	X	X	L	H	L
X	X	X	H	H	U

H = HIGH Voltage Level
 L = LOW Voltage Level
 X = Don't Care
 U = Undefined
 t = Time before CP Positive Transition
 t+1 = Time after CP Positive Transition
 ↗ = LOW to HIGH Transition

Absolute Maximum Ratings

Above which the useful life may be impaired. (Note 1)

If Military/Aerospace specified devices are required, please contact the National Semiconductor Sales Office/Distributors for availability and specifications.

Storage Temperature -65°C to $+150^{\circ}\text{C}$
 Maximum Junction Temperature (T_J) $+150^{\circ}\text{C}$

Case Temperature under Bias (T_C) 0°C to $+85^{\circ}\text{C}$
 V_{EE} Pin Potential to Ground Pin -7.0V to $+0.5\text{V}$
 Input Voltage (DC) V_{EE} to $+0.5\text{V}$
 Output Current (DC Output HIGH) -50 mA
 Operating Range (Note 2) -5.7V to -4.2V

DC Electrical Characteristics

$V_{EE} = -4.5\text{V}$, $V_{CC} = V_{CCA} = \text{GND}$, $T_C = 0^{\circ}\text{C}$ to $+85^{\circ}\text{C}$ (Note 3)

Symbol	Parameter	Min	Typ	Max	Units	Conditions (Note 4)	
V_{OH}	Output HIGH Voltage	-1025	-955	-880	mV	$V_{IN} = V_{IH}(\text{Max})$ or $V_{IL}(\text{Min})$	Loading with 50Ω to -2.0V
V_{OL}	Output LOW Voltage	-1810	-1705	-1620			
V_{OHC}	Output HIGH Voltage	-1035			mV	$V_{IN} = V_{IH}(\text{Min})$ or $V_{IL}(\text{Max})$	Loading with 50Ω to -2.0V
V_{OLC}	Output LOW Voltage			-1610			
V_{IH}	Input HIGH Voltage	-1165		-880	mV	Guaranteed HIGH Signal for All Inputs	
V_{IL}	Input LOW Voltage	-1810		-1475	mV	Guaranteed LOW Signal for All Inputs	
I_{IL}	Input LOW Current	0.50			μA	$V_{IN} = V_{IL}(\text{Min})$	

DC Electrical Characteristics

$V_{EE} = -4.2\text{V}$, $V_{CC} = V_{CCA} = \text{GND}$, $T_C = 0^{\circ}\text{C}$ to $+85^{\circ}\text{C}$ (Note 3)

Symbol	Parameter	Min	Typ	Max	Units	Conditions (Note 4)	
V_{OH}	Output HIGH Voltage	-1020		-870	mV	$V_{IN} = V_{IH}(\text{Max})$ or $V_{IL}(\text{Min})$	Loading with 50Ω to -2.0V
V_{OL}	Output LOW Voltage	-1810		-1605			
V_{OHC}	Output HIGH Voltage	-1030			mV	$V_{IN} = V_{IH}(\text{Min})$ or $V_{IL}(\text{Max})$	Loading with 50Ω to -2.0V
V_{OLC}	Output LOW Voltage			-1595			
V_{IH}	Input HIGH Voltage	-1150		-870	mV	Guaranteed HIGH Signal for All Inputs	
V_{IL}	Input LOW Voltage	-1810		-1475	mV	Guaranteed LOW Signal for All Inputs	
I_{IL}	Input LOW Current	0.50			μA	$V_{IN} = V_{IL}(\text{Min})$	

DC Electrical Characteristics

$V_{EE} = -4.8\text{V}$, $V_{CC} = V_{CCA} = \text{GND}$, $T_C = 0^{\circ}\text{C}$ to $+85^{\circ}\text{C}$ (Note 3)

Symbol	Parameter	Min	Typ	Max	Units	Conditions (Note 4)	
V_{OH}	Output HIGH Voltage	-1035		-880	mV	$V_{IN} = V_{IH}(\text{Max})$ or $V_{IL}(\text{Min})$	Loading with 50Ω to -2.0V
V_{OL}	Output LOW Voltage	-1830		-1620			
V_{OHC}	Output HIGH Voltage	-1045			mV	$V_{IN} = V_{IH}(\text{Min})$ or $V_{IL}(\text{Max})$	Loading with 50Ω to -2.0V
V_{OLC}	Output LOW Voltage			-1610			
V_{IH}	Input HIGH Voltage	-1165		-880	mV	Guaranteed HIGH Signal for All Inputs	
V_{IL}	Input LOW Voltage	-1830		-1490	mV	Guaranteed LOW Signal for All Inputs	
I_{IL}	Input LOW Current	0.50			μA	$V_{IN} = V_{IL}(\text{Min})$	

Note 1: Absolute maximum ratings are those values beyond which the device may be damaged or have its useful life impaired. Functional operation under these conditions is not implied.

Note 2: Parametric values specified at -4.2V to -4.8V .

Note 3: The specified limits represent the "worst case" value for the parameter. Since these "worst case" values normally occur at the temperature extremes, additional noise immunity and guard banding can be achieved by decreasing the allowable system operating ranges.

Note 4: Conditions for testing shown in the tables are chosen to guarantee operation under "worst case" conditions.

DC Electrical Characteristics $V_{EE} = -4.2V$ to $-4.8V$ unless otherwise specified, $V_{CC} = V_{CCA} = GND$, $T_C = 0^\circ C$ to $+85^\circ C$

Symbol	Parameter	Min	Typ	Max	Units	Conditions
I_{IH}	Input HIGH Current CP_n, D_n MS, MR, CP_C CD_n, SD_n			240 450 530	μA	$V_{IN} = V_{IH} (Max)$
I_{EE}	Power Supply Current	-149	-106	-74	mA	Inputs Open

Ceramic Dual-In-Line Package AC Electrical Characteristics $V_{EE} = -4.2V$ to $-4.8V$, $V_{CC} = V_{CCA} = GND$

Symbol	Parameter	$T_C = 0^\circ C$		$T_C = +25^\circ C$		$T_C = +85^\circ C$		Units	Conditions
		Min	Max	Min	Max	Min	Max		
f_{max}	Toggle Frequency	325		325		325		MHz	Figures 2 and 3
t_{PLH} t_{PHL}	Propagation Delay CP_C to Output	0.75	2.40	0.75	2.15	0.70	2.30	ns	Figures 1 and 3
t_{PLH} t_{PHL}	Propagation Delay CP_n to Output	0.70	2.20	0.70	2.00	0.70	2.20	ns	
t_{PLH} t_{PHL}	Propagation Delay CD_n, SD_n to Output	0.70	1.90	0.70	1.70	0.70	1.80	ns	$CP_n, CP_C = L$
t_{PLH} t_{PHL}		0.70	2.10	0.70	2.00	0.70	2.20		$CP_n, CP_C = H$
t_{PLH} t_{PHL}	Propagation Delay MS, MR to Output	1.10	2.70	1.10	2.60	1.10	2.70	ns	$CP_n, CP_C = L$
t_{PLH} t_{PHL}		1.05	3.05	1.05	2.95	1.05	3.05		$CP_n, CP_C = H$
t_{TLH} t_{THL}	Transition Time 20% to 80%, 80% to 20%	0.45	2.20	0.45	1.80	0.45	1.90	ns	Figures 1, 3 and 4
t_s	Setup Time D_n	0.90		0.70		0.90		ns	Figure 5
	CD_n, SD_n (Release Time)	1.50		1.30		1.50			Figure 4
	MS, MR (Release Time)	2.50		2.30		2.50			
t_h	Hold Time D_n	0.60		0.60		0.80		ns	Figure 5
$t_{pw(H)}$	Pulse Width HIGH $CP_n, CP_C, CD_n,$ SD_n, MR, MS	2.00		2.00		2.00		ns	Figures 3 and 4

Cerpak AC Electrical Characteristics $V_{EE} = -4.2V$ to $-4.8V$, $V_{CC} = V_{CCA} = GND$

Symbol	Parameter	$T_C = 0^\circ C$		$T_C = +25^\circ C$		$T_C = +85^\circ C$		Units	Conditions
		Min	Max	Min	Max	Min	Max		
f_{max}	Toggle Frequency	350		350		350		MHz	Figures 2 and 3
t_{PLH} t_{PHL}	Propagation Delay CP _C to Output	0.75	2.20	0.75	1.95	0.70	2.10	ns	Figures 1 and 3
t_{PLH} t_{PHL}	Propagation Delay CP _n to Output	0.70	2.00	0.70	1.80	0.70	2.00	ns	
t_{PLH} t_{PHL}	Propagation Delay CD _n , SD _n to Output	0.70	1.70	0.70	1.50	0.70	1.60	ns	CP _n , CP _C = L
t_{PLH} t_{PHL}		0.70	1.90	0.70	1.80	0.70	2.00		CP _n , CP _C = H
t_{PLH} t_{PHL}	Propagation Delay MS, MR to Output	1.10	2.50	1.10	2.40	1.10	2.50	ns	CP _n , CP _C = L
t_{PLH} t_{PHL}		1.05	2.85	1.05	2.75	1.05	2.85		CP _n , CP _C = H
t_{TLH} t_{THL}	Transition Time 20% to 80%, 80% to 20%	0.45	2.00	0.45	1.60	0.45	1.70	ns	Figures 1, 3 and 4
t_s	Setup Time D _n	0.80		0.60		0.80		ns	Figure 5
	CD _n , SD _n (Release Time)	1.40		1.20		1.40			Figure 4
	MS, MR (Release Time)	2.40		2.20		2.40			
t_h	Hold Time D _n	0.50		0.50		0.70		ns	Figure 5
$t_{pw(H)}$	Pulse Width HIGH CP _n , CP _C , CD _n , SD _n , MR, MS	2.00		2.00		2.00		ns	Figure 3 and 4

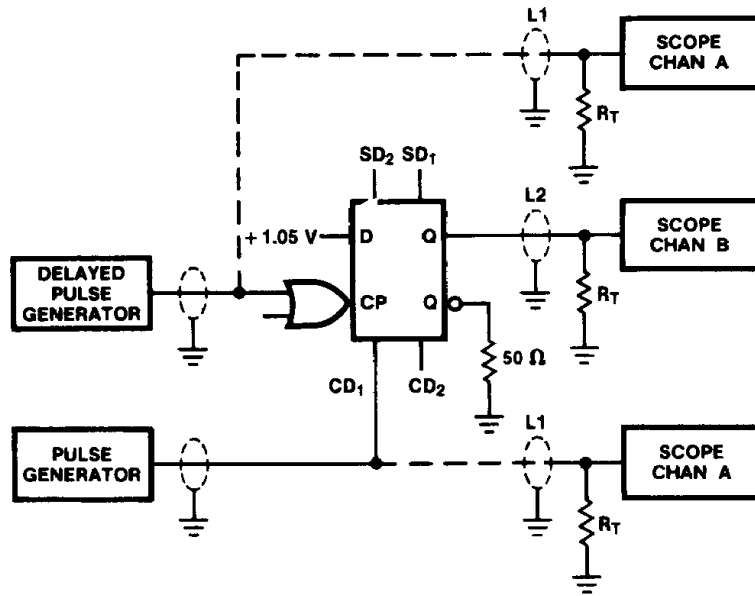


FIGURE 1. AC Test Circuit

TL/F/9853-6

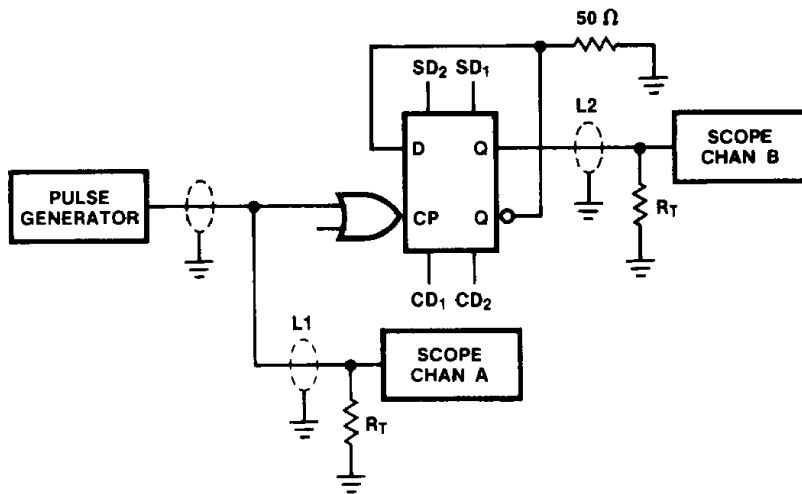
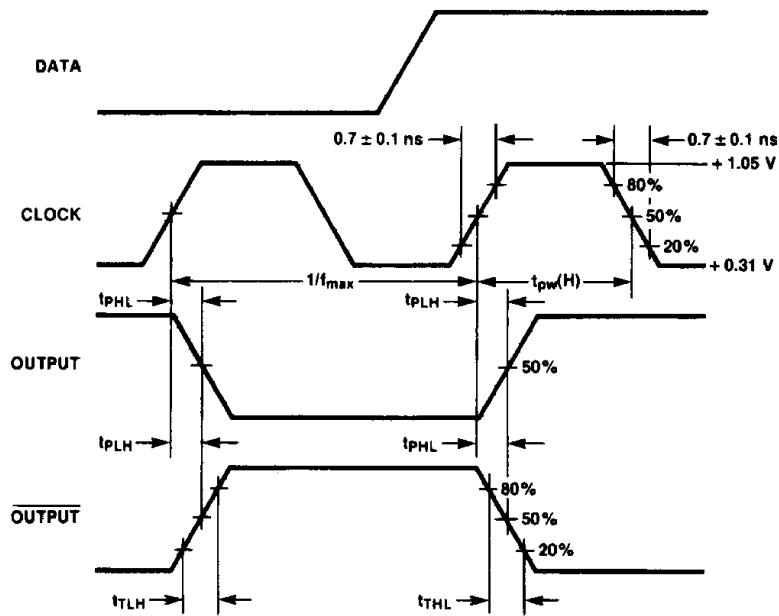


FIGURE 2. Toggle Frequency Test Circuit

TL/F/9853-7

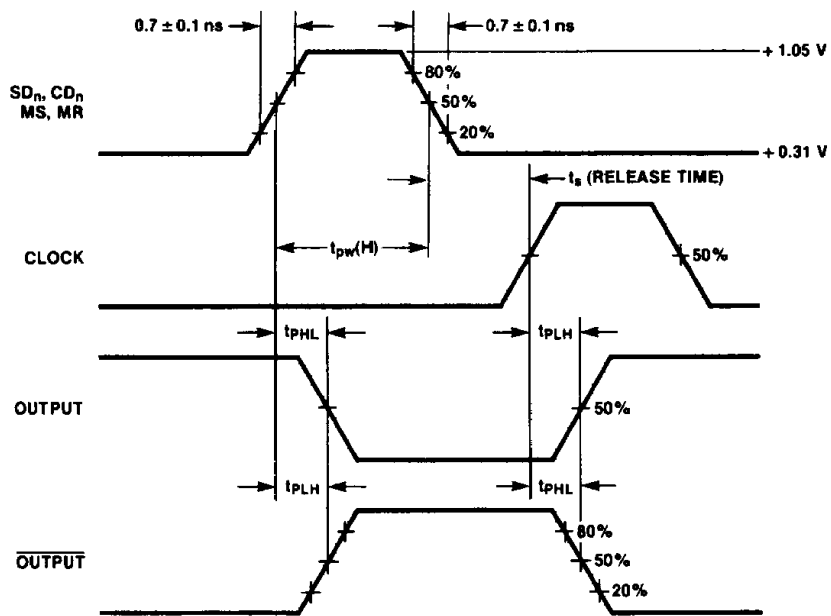
Note:

- $V_{CC}, V_{CCA} = +2V, V_{EE} = -2.5V$
- L1 and L2 = equal length 50Ω impedance lines
- $R_T = 50\Omega$ terminator internal to scope
- Decoupling 0.1 μF from GND to V_{CC} and V_{EE}
- All unused outputs are loaded with 50Ω to GND
- $C_L =$ Fixture and stray capacitance ≤ 3 pF



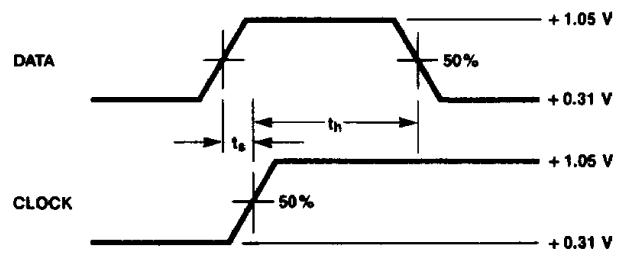
TL/F/9853-8

FIGURE 3. Propagation Delay (Clock) and Transition Times



TL/F/9853-9

FIGURE 4. Propagation Delay (Resets)



TL/F/9853-10

FIGURE 5. Data Setup and Hold Time**Note:**

t_s is the minimum time before the transition of the clock that information must be present at the data input.
 t_h is the minimum time after the transition of the clock that information must remain unchanged at the data input.