

F100363

Low Power Dual 8-Input Multiplexer

General Description

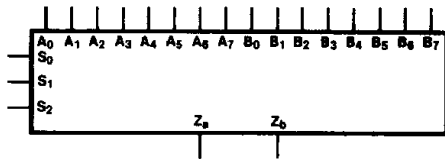
The F100163 is a dual 8-input multiplexer. The Data Select (S_n) inputs determine which bit (A_n and B_n) will be presented at the outputs (Z_a and Z_b respectively). The same bit (0-7) will be selected for both the Z_a and Z_b output. All inputs have 50 k Ω pulldown resistors.

Features

- 50% power reduction of the F100163
- 2000V ESD protection
- Pin/function compatible with F100163
- Voltage compensated operating range = -4.2V to -5.7V
- Tighter min to max propagation delay than F100163

Ordering Code: See Section 8

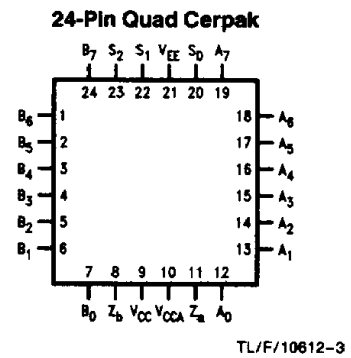
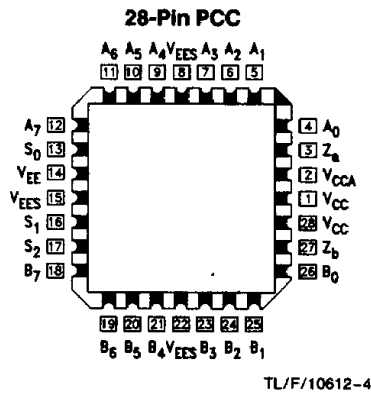
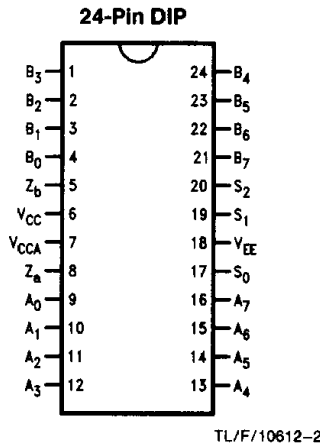
Logic Symbol



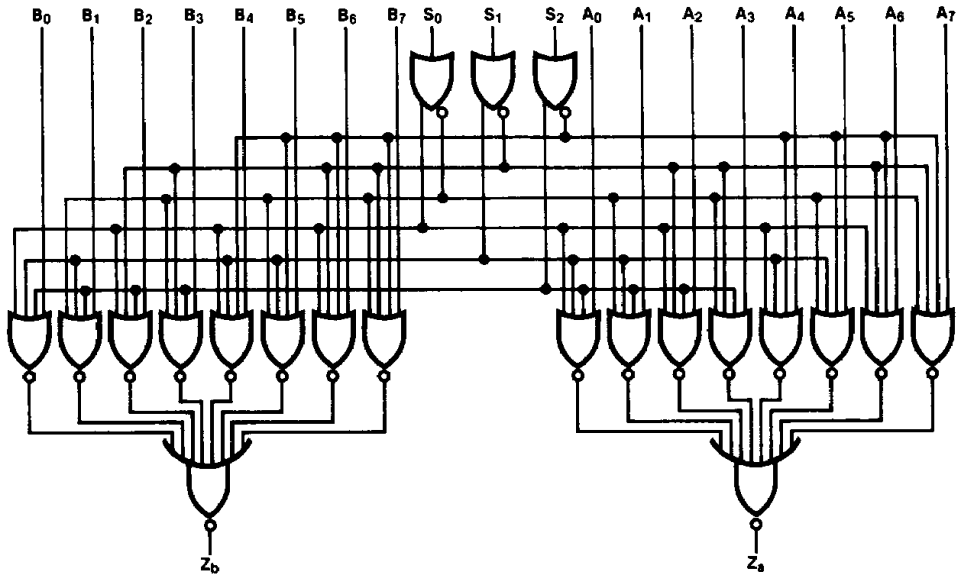
TL/F/10612-1

Pin Names	Description
S_0 - S_2	Data Select Inputs
A_0 - A_7	A Data Inputs
B_0 - B_7	B Data Inputs
Z_a , Z_b	Data Outputs

Connection Diagrams



Logic Diagram



TL/F/10612-5

Truth Table

Inputs										Outputs		
Select			Data									
S ₂	S ₁	S ₀	A ₇ B ₇	A ₆ B ₆	A ₅ B ₅	A ₄ B ₄	A ₃ B ₃	A ₂ B ₂	A ₁ B ₁	A ₀ B ₀	Z _a	Z _b
L	L	L								L	L	L
L	L	L								H	L	H
L	L	H							L		L	H
L	L	H						H			L	H
L	H	L									L	H
L	H	L									L	H
L	H	H					L				L	H
L	H	H					H				L	H
H	L	L				L					L	H
H	L	L				H					L	H
H	L	H			L						L	H
H	L	H			H						L	H
H	H	L		L							L	H
H	H	L		H							L	H
H	H	H	L								L	H
H	H	H	H								L	H

H = HIGH Voltage Level
 L = LOW Voltage Level
 Blank = X = Don't Care

Absolute Maximum Ratings

Above which the useful life may be impaired (Note 1)

If Military/Aerospace specified devices are required, please contact the National Semiconductor Sales Office/Distributors for availability and specifications.

Storage Temperature (T_{STG})	-65°C to +150°C
Maximum Junction Temperature (T_J)	
Ceramic	+175°C
Plastic	+150°C
V_{EE} Pin Potential to Ground Pin	-7.0V to +0.5V
Input Voltage (DC)	V_{EE} to +0.5V
Output Current (DC Output HIGH)	-50 mA
ESD (Note 2)	≥2000V

Recommended Operating Conditions

Case Temperature (T_C)	
Commercial	0°C to +85°C
Military	-55°C to +125°C
Supply Voltage (V_{EE})	
Commercial	-5.7V to -4.2V
Military	-5.7V to -4.2V

Commercial Version

DC Electrical Characteristics

$V_{EE} = -4.2V$ to $-5.7V$, $V_{CC} = V_{CCA} = GND$, $T_C = 0^\circ C$ to $+85^\circ C$ (Note 3)

Symbol	Parameter	Min	Typ	Max	Units	Conditions	
V_{OH}	Output HIGH Voltage	-1025	-955	-870	mV	$V_{IN} = V_{IH} (Max)$ or $V_{IL} (Min)$	Loading with 50Ω to -2.0V
V_{OL}	Output LOW Voltage	-1830	-1705	-1620	mV		
V_{OHC}	Output HIGH Voltage	-1035			mV	$V_{IN} = V_{IH} (Min)$ or $V_{IL} (Max)$	Loading with 50Ω to -2.0V
V_{OLC}	Output LOW Voltage			-1610	mV		
V_{IH}	Input HIGH Voltage	-1165		-870	mV	Guaranteed HIGH Signal for All Inputs	
V_{IL}	Input LOW Voltage	-1830		-1475	mV	Guaranteed LOW Signal for All Inputs	
I_{IL}	Input LOW Current	0.50			μA	$V_{IN} = V_{IL} (Min)$	
I_{IH}	Input HIGH Current			265	μA	$V_{IN} = V_{IH} (Max)$	
	S_n A_n, B_n			340			
I_{EE}	Power Supply Current	-80		-40	mA	Inputs Open	

Note 1: Absolute maximum ratings are those values beyond which the device may be damaged or have its useful life impaired. Functional operation under these conditions is not implied.

Note 2: ESD testing conforms to MIL-STD-883, Method 3015.

Note 3: The specified limits represent the "worst case" value for the parameter. Since these values normally occur at the temperature extremes, additional noise immunity and guardbanding can be achieved by decreasing the allowable system operating ranges. Conditions for testing shown in the tables are chosen to guarantee operation under "worst case" conditions.

Ceramic Dual-In-Line Package AC Electrical Characteristics

$V_{EE} = -4.2V$ to $-5.7V$, $V_{CC} = V_{CCA} = GND$

Symbol	Parameter	$T_C = 0^\circ C$		$T_C = +25^\circ C$		$T_C = +85^\circ C$		Units	Conditions
		Min	Max	Min	Max	Min	Max		
t_{PLH} t_{PHL}	Propagation Delay A_0-A_7, B_0-B_7 to Output	0.70	1.65	0.80	1.70	0.80	1.80	ns	Figures 1 and 2
t_{PLH} t_{PHL}	Propagation Delay S_0-S_2 to Output	1.30	2.60	1.40	2.70	1.40	2.70	ns	
t_{TLH} t_{THL}	Transition Time 20% to 80%, 80% to 20%	0.45	1.30	0.45	1.30	0.45	1.30	ns	

Commercial Version (Continued)**PCC and Cerpak AC Electrical Characteristics** $V_{EE} = -4.2V$ to $-5.7V$, $V_{CC} = V_{CCA} = GND$

Symbol	Parameter	$T_C = 0^\circ C$		$T_C = +25^\circ C$		$T_C = +85^\circ C$		Units	Conditions
		Min	Max	Min	Max	Min	Max		
t_{PLH} t_{PHL}	Propagation Delay A_0-A_7, B_0-B_7 to Output	0.70	1.65	0.80	1.70	0.80	1.80	ns	Figures 1 and 2
t_{PLH} t_{PHL}	Propagation Delay S_0-S_2 to Output	1.30	2.60	1.40	2.70	1.40	2.70	ns	
t_{TLH} t_{THL}	Transition Time 20% to 80%, 80% to 20%	0.45	1.30	0.45	1.30	0.45	1.30	ns	
$t_{s, G-G}$	Skew, Gate to Gate	TBD		TBD		TBD		ps	PCC Only (Note 1)

Note 1: Gate to gate skew is defined as the difference in propagation delays between each of the outputs.

Military Version—Preliminary**DC Electrical Characteristics** $V_{EE} = -4.2V$ to $-5.7V$, $V_{CC} = V_{CCA} = GND$, $T_C = -55^\circ C$ to $+125^\circ C$

Symbol	Parameter	Min	Max	Units	T_C	Conditions	Note	
V_{OH}	Output HIGH Voltage	-1025	-870	mV	$0^\circ C$ to $+125^\circ C$	$V_{IN} = V_{IH}(\text{Max})$ or $V_{IL}(\text{Min})$	Loading with 50Ω to $-2.0V$	1, 2, 3
		-1085	-870	mV	$-55^\circ C$			
V_{OL}	Output LOW Voltage	-1830	-1620	mV	$0^\circ C$ to $+125^\circ C$			
		-1830	-1555	mV	$-55^\circ C$			
V_{OHC}	Output HIGH Voltage	-1035		mV	$0^\circ C$ to $+125^\circ C$	$V_{IN} = V_{IH}(\text{Min})$ or $V_{IL}(\text{Max})$	Loading with 50Ω to $-2.0V$	1, 2, 3
		-1085		mV	$-55^\circ C$			
V_{OLC}	Output LOW Voltage		-1610	mV	$0^\circ C$ to $+125^\circ C$			
			-1555	mV	$-55^\circ C$			
V_{IH}	Input HIGH Voltage	-1165	-870	mV	$-55^\circ C$ to $+125^\circ C$	Guaranteed HIGH Signal for All Inputs	1, 2, 3, 4	
V_{IL}	Input LOW Voltage	-1830	-1475	mV	$-55^\circ C$ to $+125^\circ C$	Guaranteed LOW Signal for All Inputs	1, 2, 3, 4	
I_{IL}	Input LOW Current	0.50		μA	$-55^\circ C$ to $+125^\circ C$	$V_{EE} = -4.2V$ $V_{IN} = V_{IL}(\text{Min})$	1, 2, 3	
I_{IH}	Input HIGH Current S_n A_n, B_n		265	μA	$0^\circ C$ to $+125^\circ C$	$V_{EE} = -5.7V$ $V_{IN} = V_{IH}(\text{Max})$	1, 2, 3	
			340	μA	$+125^\circ C$			
			385 490	μA	$-55^\circ C$			
I_{EE}	Power Supply Current	-87	-30	mA	$-55^\circ C$ to $+125^\circ C$	Inputs Open	1, 2, 3	

Note 1: F100K 300 Series cold temperature testing is performed by temperature soaking (to guarantee junction temperature equals $-55^\circ C$), then testing immediately without allowing for the junction temperature to stabilize due to heat dissipation after power-up. This provides "cold start" specs which can be considered a worst case condition at cold temperatures.

Note 2: Screen tested 100% on each device at $-55^\circ C$, $+25^\circ C$, and $+125^\circ C$, Subgroups 1, 2, 3, 7, and 8.

Note 3: Sample tested (Method 5005, Table I) on each manufactured lot at $-55^\circ C$, $+25^\circ C$, and $+125^\circ C$, Subgroups A1, 2, 3, 7, and 8.

Note 4: Guaranteed by applying specified input condition and testing V_{OH}/V_{OL} .

Military Version—Preliminary (Continued)**Ceramic Dual-In-Line Package AC Electrical Characteristics**

$V_{EE} = -4.2V \text{ to } -5.7V, V_{CC} = V_{CCA} = GND$

Symbol	Parameter	$T_C = -55^\circ\text{C}$		$T_C = +25^\circ\text{C}$		$T_C = +125^\circ\text{C}$		Units	Conditions	Notes
		Min	Max	Min	Max	Min	Max			
t_{PLH} t_{PHL}	Propagation Delay A_0-A_7, B_0-B_7 to Output	0.50	2.40	0.60	2.30	0.70	3.00	ns	Figures 1 and 2	1, 2, 3
t_{PLH} t_{PHL}	Propagation Delay S_0-S_2 to Output	0.80	3.00	0.90	2.80	1.00	3.40	ns		
t_{TLH} t_{THL}	Transition Time 20% to 80%, 80% to 20%	0.30	1.90	0.40	1.80	0.30	2.10	ns		4

Cerpak AC Electrical Characteristics

$V_{EE} = -4.2V \text{ to } -5.7V, V_{CC} = V_{CCA} = GND$

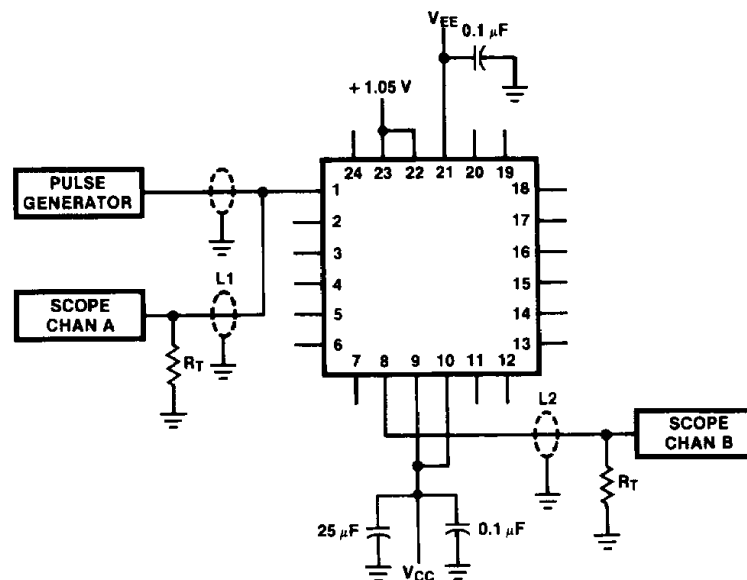
Symbol	Parameter	$T_C = -55^\circ\text{C}$		$T_C = +25^\circ\text{C}$		$T_C = +125^\circ\text{C}$		Units	Conditions	Notes
		Min	Max	Min	Max	Min	Max			
t_{PLH} t_{PHL}	Propagation Delay A_0-A_7, B_0-B_7 to Output	0.50	2.40	0.60	2.30	0.70	3.00	ns	Figures 1 and 2	1, 2, 3
t_{PLH} t_{PHL}	Propagation Delay S_0-S_2 to Output	0.80	3.00	0.90	2.80	1.00	3.40	ns		
t_{TLH} t_{THL}	Transition Time 20% to 80%, 80% to 20%	0.30	1.90	0.40	1.80	0.30	2.10	ns		4

Note 1: F100K 300 Series cold temperature testing is performed by temperature soaking (to guarantee junction temperature equals -55°C), then testing immediately after power-up. This provides "cold start" specs which can be considered a worst case condition at cold temperatures.

Note 2: Screen tested 100% on each device at $+25^\circ\text{C}$ temperature only, Subgroup A9.

Note 3: Sample tested (Method 5005, Table I) on each manufactured lot at $+25^\circ\text{C}$, Subgroup A9, and at $+125^\circ\text{C}$ and -55°C , temperatures, Subgroups A10 and A11.

Note 4: Not tested at $+25^\circ\text{C}$, $+125^\circ\text{C}$, and -55°C temperature (design characterization data).

Test Circuitry**FIGURE 1. AC Test Circuit****Notes:**

$V_{CC}, V_{CCA} = +2V, V_{EE} = -2.5V$

$L1$ and $L2 =$ equal length 50Ω impedance lines

$R_T = 50\Omega$ terminator internal to scope

Decoupling $0.1 \mu\text{F}$ from GND to V_{CC} and V_{EE}

All unused outputs are loaded with 50Ω to GND

$C_L =$ Fixture and stray capacitance $\leq 3 \text{ pF}$

Pin numbers shown are for flatpak; for DIP see logic symbol

TL/F/10612-6

Switching Waveforms

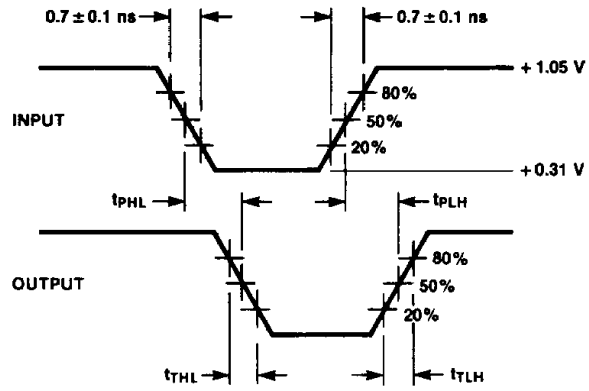


FIGURE 2. Propagation Delay and Transition Times

TL/F/10612-7