

LM139/LM239/LM339/LM2901/LM3302 Low Power Low Offset Voltage Quad Comparators

General Description

The LM139 series consists of four independent precision voltage comparators with an offset voltage specification as low as 2 mV max for all four comparators. These were designed specifically to operate from a single power supply over a wide range of voltages. Operation from split power supplies is also possible and the low power supply current drain is independent of the magnitude of the power supply voltage. These comparators also have a unique characteristic in that the input common-mode voltage range includes ground, even though operated from a single power supply voltage.

Application areas include limit comparators, simple analog to digital converters; pulse, squarewave and time delay generators; wide range VCO; MOS clock timers; multivibrators and high voltage digital logic gates. The LM139 series was designed to directly interface with TTL and CMOS. When operated from both plus and minus power supplies, they will directly interface with MOS logic— where the low power drain of the LM339 is a distinct advantage over standard comparators.

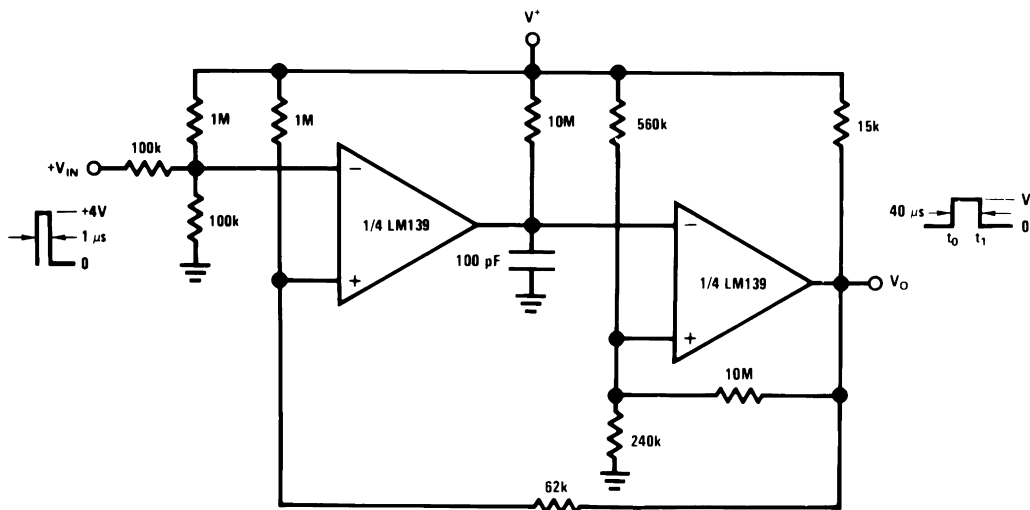
Features

- Wide supply voltage range
- LM139/139A Series 2 to 36 V_{DC} or ± 1 to $\pm 18 V_{DC}$
- LM2901: 2 to 36 V_{DC} or ± 1 to $\pm 18 V_{DC}$
- LM3302: 2 to 28 V_{DC} or ± 1 to $\pm 14 V_{DC}$
- Very low supply current drain (0.8 mA) — independent of supply voltage
- Low input biasing current: 25 nA
- Low input offset current: ± 5 nA
- Offset voltage: ± 3 mV
- Input common-mode voltage range includes GND
- Differential input voltage range equal to the power supply voltage
- Low output saturation voltage: 250 mV at 4 mA
- Output voltage compatible with TTL, DTL, ECL, MOS and CMOS logic systems

Advantages

- High precision comparators
- Reduced V_{OS} drift over temperature
- Eliminates need for dual supplies
- Allows sensing near GND
- Compatible with all forms of logic
- Power drain suitable for battery operation

One-Shot Multivibrator with Input Lock Out



00570612

Absolute Maximum Ratings (Note 10)

Distributors for availability and specifications.

If Military/Aerospace specified devices are required,
please contact the National Semiconductor Sales Office/

| | LM139/LM239/LM339 | | | LM3302 | | |
|---|---|--------|--|---|--------|--------|
| | LM139A/LM239A/LM339A | LM2901 | | LM139A/LM239A/LM339A | LM2901 | LM3302 |
| Supply Voltage, V^+ | 36 V_{DC} or $\pm 18 V_{DC}$ | | | 28 V_{DC} or $\pm 14 V_{DC}$ | | |
| Differential Input Voltage (Note 8) | 36 V_{DC} | | | 28 V_{DC} | | |
| Input Voltage | $-0.3 V_{DC}$ to $+36 V_{DC}$ | | | $-0.3 V_{DC}$ to $+28 V_{DC}$ | | |
| Input Current ($V_{IN} < -0.3 V_{DC}$), (Note 3) | 50 mA | | | 50 mA | | |
| Power Dissipation (Note 1) | | | | | | |
| Molded DIP | 1050 mW | | | 1050 mW | | |
| Cavity DIP | 1190 mW | | | | | |
| Small Outline Package | 760 mW | | | | | |
| Output Short-Circuit to GND, (Note 2) | Continuous | | | Continuous | | |
| Storage Temperature Range | -65°C to $+150^\circ\text{C}$ | | | -65°C to $+150^\circ\text{C}$ | | |
| Lead Temperature (Soldering, 10 seconds) | 260 $^\circ\text{C}$ | | | 260 $^\circ\text{C}$ | | |
| Operating Temperature Range | | | | -40°C to $+85^\circ\text{C}$ | | |
| LM339/LM339A | 0 $^\circ\text{C}$ to $+70^\circ\text{C}$ | | | | | |
| LM239/LM239A | -25°C to $+85^\circ\text{C}$ | | | | | |
| LM2901 | -40°C to $+85^\circ\text{C}$ | | | | | |
| LM139/LM139A | -55°C to $+125^\circ\text{C}$ | | | | | |
| Soldering Information | | | | | | |
| Dual-In-Line Package | | | | | | |
| Soldering (10 seconds) | 260 $^\circ\text{C}$ | | | 260 $^\circ\text{C}$ | | |
| Small Outline Package | | | | | | |
| Vapor Phase (60 seconds) | 215 $^\circ\text{C}$ | | | 215 $^\circ\text{C}$ | | |
| Infrared (15 seconds) | 220 $^\circ\text{C}$ | | | 220 $^\circ\text{C}$ | | |
| See AN-450 "Surface Mounting Methods and Their Effect on Product Reliability" for other methods of soldering surface mount devices. | | | | | | |
| ESD rating (1.5 k Ω in series with 100 pF) | 600V | | | 600V | | |

Electrical Characteristics $(V^+ = 5 V_{DC}, T_A = 25^\circ\text{C}$, unless otherwise stated)

| Parameter | Conditions | LM139A | | | LM239A, LM339A | | | LM139 | | | Units |
|---------------------------------|--|--------|-------------|-----|----------------|-------------|-----|-------|-------------|-----|------------|
| | | Min | Typ | Max | Min | Typ | Max | Min | Typ | Max | |
| Input Offset Voltage | (Note 9) | 1.0 | 2.0 | | 1.0 | 2.0 | | 2.0 | 5.0 | | mV $_{DC}$ |
| Input Bias Current | $I_{IN(+)}$ or $I_{IN(-)}$ with Output in Linear Range, (Note 5), $V_{CM} = 0V$ | 25 | 100 | | 25 | 250 | | 25 | 100 | | nA $_{DC}$ |
| Input Offset Current | $I_{IN(+)} - I_{IN(-)}$, $V_{CM} = 0V$ | 3.0 | 25 | | 5.0 | 50 | | 3.0 | 25 | | nA $_{DC}$ |
| Input Common-Mode Voltage Range | $V^+ = 30 V_{DC}$ (LM3302, $V^+ = 28 V_{DC}$) (Note 6) | 0 | $V^+ - 1.5$ | | 0 | $V^+ - 1.5$ | | 0 | $V^+ - 1.5$ | | V_{DC} |
| Supply Current | $R_L = \infty$ on all Comparators, $R_L = \infty$, $V^+ = 36V$, (LM3302, $V^+ = 28 V_{DC}$) | 0.8 | 2.0 | | 0.8 | 2.0 | | 0.8 | 2.0 | | mA $_{DC}$ |
| | | | | | 1.0 | 2.5 | | 1.0 | 2.5 | | mA $_{DC}$ |
| Voltage Gain | $R_L \geq 15 k\Omega$, $V^+ = 15 V_{DC}$ $V_O = 1 V_{DC}$ to $11 V_{DC}$ | 50 | 200 | | 50 | 200 | | 50 | 200 | | V/mV |
| Large Signal Response Time | $V_{IN} = \text{TTL Logic Swing}$, $V_{REF} = 1.4 V_{DC}$, $V_{RL} = 5 V_{DC}$ | 300 | | | 300 | | | 300 | | | ns |

Electrical Characteristics (Continued) $(V^+ = 5 V_{DC}, T_A = 25^\circ\text{C}, \text{ unless otherwise stated})$

| Parameter | Conditions | LM139A | | | LM239A, LM339A | | | LM139 | | | Units |
|------------------------|--|--------|-----|-----|----------------|-----|-----|-------|-----|-----|------------------|
| | | Min | Typ | Max | Min | Typ | Max | Min | Typ | Max | |
| | $R_L = 5.1 \text{ k}\Omega$ | | | | | | | | | | |
| Response Time | $V_{RL} = 5 V_{DC}, R_L = 5.1 \text{ k}\Omega,$ (Note 7) | | 1.3 | | | 1.3 | | | 1.3 | | μs |
| Output Sink Current | $V_{IN(-)} = 1 V_{DC}, V_{IN(+)} = 0,$ $V_O \leq 1.5 V_{DC}$ | 6.0 | 16 | | 6.0 | 16 | | 6.0 | 16 | | mA_{DC} |
| Saturation Voltage | $V_{IN(-)} = 1 V_{DC}, V_{IN(+)} = 0,$ $I_{SINK} \leq 4 \text{ mA}$ | | 250 | 400 | | 250 | 400 | | 250 | 400 | mV_{DC} |
| Output Leakage Current | $V_{IN(+)} = 1 V_{DC}, V_{IN(-)} = 0,$ $V_O = 5 V_{DC}$ | | 0.1 | | | 0.1 | | | 0.1 | | nA_{DC} |

Electrical Characteristics $(V^+ = 5 V_{DC}, T_A = 25^\circ\text{C}, \text{ unless otherwise stated})$

| Parameter | Conditions | LM239, LM339 | | | LM2901 | | | LM3302 | | | Units |
|---------------------------------|--|--------------|-----|-------------|--------|-----|-------------|--------|-----|-------------|------------------|
| | | Min | Typ | Max | Min | Typ | Max | Min | Typ | Max | |
| Input Offset Voltage | (Note 9) | | 2.0 | 5.0 | | 2.0 | 7.0 | | 3 | 20 | mV_{DC} |
| Input Bias Current | $I_{IN(+)}$ or $I_{IN(-)}$ with Output in Linear Range, (Note 5), $V_{CM} = 0V$ | | 25 | 250 | | 25 | 250 | | 25 | 500 | nA_{DC} |
| Input Offset Current | $I_{IN(+)} - I_{IN(-)}, V_{CM} = 0V$ | | 5.0 | 50 | | 5 | 50 | | 3 | 100 | nA_{DC} |
| Input Common-Mode Voltage Range | $V^+ = 30 V_{DC}$ (LM3302, $V^+ = 28 V_{DC}$) (Note 6) | 0 | | $V^+ - 1.5$ | 0 | | $V^+ - 1.5$ | 0 | | $V^+ - 1.5$ | V_{DC} |
| Supply Current | $R_L = \infty$ on all Comparators, $R_L = \infty, V^+ = 36V,$ (LM3302, $V^+ = 28 V_{DC}$) | | 0.8 | 2.0 | | 0.8 | 2.0 | | 0.8 | 2.0 | mA_{DC} |
| | | | 1.0 | 2.5 | | 1.0 | 2.5 | | 1.0 | 2.5 | mA_{DC} |
| Voltage Gain | $R_L \geq 15 \text{ k}\Omega, V^+ = 15 V_{DC}$ $V_O = 1 V_{DC}$ to $11 V_{DC}$ | 50 | | 200 | 25 | | 100 | 2 | | 30 | V/mV |
| Large Signal Response Time | $V_{IN} = \text{TTL Logic Swing}, V_{REF} =$ $1.4 V_{DC}, V_{RL} = 5 V_{DC},$ $R_L = 5.1 \text{ k}\Omega,$ | | 300 | | | 300 | | | 300 | | ns |
| Response Time | $V_{RL} = 5 V_{DC}, R_L = 5.1 \text{ k}\Omega,$ (Note 7) | | 1.3 | | | 1.3 | | | 1.3 | | μs |
| Output Sink Current | $V_{IN(-)} = 1 V_{DC}, V_{IN(+)} = 0,$ $V_O \leq 1.5 V_{DC}$ | 6.0 | | 16 | 6.0 | | 16 | 6.0 | | 16 | mA_{DC} |
| Saturation Voltage | $V_{IN(-)} = 1 V_{DC}, V_{IN(+)} = 0,$ $I_{SINK} \leq 4 \text{ mA}$ | | 250 | 400 | | 250 | 400 | | 250 | 500 | mV_{DC} |
| Output Leakage Current | $V_{IN(+)} = 1 V_{DC}, V_{IN(-)} = 0,$ $V_O = 5 V_{DC}$ | | 0.1 | | | 0.1 | | | 0.1 | | nA_{DC} |

Electrical Characteristics $(V^+ = 5.0 V_{DC}, \text{ (Note 4)})$

| Parameter | Conditions | LM139A | | | LM239A, LM339A | | | LM139 | | | Units |
|---------------------------------|---|--------|-----|-------------|----------------|-----|-------------|-------|-----|-------------|------------------|
| | | Min | Typ | Max | Min | Typ | Max | Min | Typ | Max | |
| Input Offset Voltage | (Note 9) | | | 4.0 | | | 4.0 | | | 9.0 | mV_{DC} |
| Input Offset Current | $I_{IN(+)} - I_{IN(-)}, V_{CM} = 0V$ | | | 100 | | | 150 | | | 100 | nA_{DC} |
| Input Bias Current | $I_{IN(+)}$ or $I_{IN(-)}$ with Output in Linear Range, $V_{CM} = 0V$ (Note 5) | | | 300 | | | 400 | | | 300 | nA_{DC} |
| Input Common-Mode Voltage Range | $V^+ = 30 V_{DC}$ (LM3302, $V^+ = 28 V_{DC}$) (Note 6) | 0 | | $V^+ - 2.0$ | 0 | | $V^+ - 2.0$ | 0 | | $V^+ - 2.0$ | V_{DC} |

Electrical Characteristics (Continued) $(V^+ = 5.0 V_{DC}, \text{ (Note 4)})$

| Parameter | Conditions | LM139A | | LM239A, LM339A | | | LM139 | | Units | |
|----------------------------|---|--------|-----|----------------|-----|-----|-------|-----|-------|--------------|
| | | Min | Typ | Max | Min | Typ | Max | Min | | Typ |
| Saturation Voltage | $V_{IN(-)} = 1 V_{DC}, V_{IN(+)} = 0,$ $I_{SINK} \leq 4 \text{ mA}$ | | | 700 | | | 700 | | | mV_{DC} |
| Output Leakage Current | $V_{IN(+)} = 1 V_{DC}, V_{IN(-)} = 0,$ $V_O = 30 V_{DC}, \text{ (LM3302, } V_O = 28 V_{DC})$ | | | 1.0 | | | 1.0 | | | μA_{DC} |
| Differential Input Voltage | Keep all V_{IN} 's $\geq 0 V_{DC}$ (or V^- , if used), (Note 8) | | | 36 | | | 36 | | | V_{DC} |

Electrical Characteristics $(V^+ = 5.0 V_{DC}, \text{ (Note 4)})$

| Parameter | Conditions | LM239, LM339 | | | LM2901 | | LM3302 | | Units | |
|---------------------------------|---|--------------|-----|-------------|--------|-------------|--------|-------------|-------|--------------|
| | | Min | Typ | Max | Min | Typ | Max | Min | | Typ |
| Input Offset Voltage | (Note 9) | | | 9.0 | 9 | 15 | | 40 | | mV_{DC} |
| Input Offset Current | $I_{IN(+)} - I_{IN(-)}, V_{CM} = 0V$ | | | 150 | 50 | 200 | | 300 | | nA_{DC} |
| Input Bias Current | $I_{IN(+)}$ or $I_{IN(-)}$ with Output in Linear Range, $V_{CM} = 0V$ (Note 5) | | | 400 | 200 | 500 | | 1000 | | nA_{DC} |
| Input Common-Mode Voltage Range | $V^+ = 30 V_{DC}$ (LM3302, $V^+ = 28 V_{DC}$) (Note 6) | | | $V^+ - 2.0$ | 0 | $V^+ - 2.0$ | 0 | $V^+ - 2.0$ | | V_{DC} |
| Saturation Voltage | $V_{IN(-)} = 1 V_{DC}, V_{IN(+)} = 0,$ $I_{SINK} \leq 4 \text{ mA}$ | | | 700 | 400 | 700 | | 700 | | mV_{DC} |
| Output Leakage Current | $V_{IN(+)} = 1 V_{DC}, V_{IN(-)} = 0,$ $V_O = 30 V_{DC}, \text{ (LM3302, } V_O = 28 V_{DC})$ | | | 1.0 | | 1.0 | | 1.0 | | μA_{DC} |
| Differential Input Voltage | Keep all V_{IN} 's $\geq 0 V_{DC}$ (or V^- , if used), (Note 8) | | | 36 | | 36 | | 28 | | V_{DC} |

Note 1: For operating at high temperatures, the LM339/LM339A, LM2901, LM3302 must be derated based on a 125°C maximum junction temperature and a thermal resistance of 95°C/W which applies for the device soldered in a printed circuit board, operating in a still air ambient. The LM239 and LM139 must be derated based on a 150°C maximum junction temperature. The low bias dissipation and the "ON-OFF" characteristic of the outputs keeps the chip dissipation very small ($P_D \leq 100 \text{ mW}$), provided the output transistors are allowed to saturate.

Note 2: Short circuits from the output to V^+ can cause excessive heating and eventual destruction. When considering short circuits to ground, the maximum output current is approximately 20 mA independent of the magnitude of V^+ .

Note 3: This input current will only exist when the voltage at any of the input leads is driven negative. It is due to the collector-base junction of the input PNP transistors becoming forward biased and thereby acting as input diode clamps. In addition to this diode action, there is also lateral NPN parasitic transistor action on the IC chip. This transistor action can cause the output voltages of the comparators to go to the V^+ voltage level (or to ground for a large overdrive) for the time duration that an input is driven negative. This is not destructive and normal output states will re-establish when the input voltage, which was negative, again returns to a value greater than $-0.3 V_{DC}$ (at 25°C).

Note 4: These specifications are limited to $-55^\circ\text{C} \leq T_A \leq +125^\circ\text{C}$, for the LM139/LM139A. With the LM239/LM239A, all temperature specifications are limited to $-25^\circ\text{C} \leq T_A \leq +85^\circ\text{C}$, the LM339/LM339A temperature specifications are limited to $0^\circ\text{C} \leq T_A \leq +70^\circ\text{C}$, and the LM2901, LM3302 temperature range is $-40^\circ\text{C} \leq T_A \leq +85^\circ\text{C}$.

Note 5: The direction of the input current is out of the IC due to the PNP input stage. This current is essentially constant, independent of the state of the output so no loading change exists on the reference or input lines.

Note 6: The input common-mode voltage or either input signal voltage should not be allowed to go negative by more than 0.3V. The upper end of the common-mode voltage range is $V^+ - 1.5V$ at 25°C, but either or both inputs can go to $+30 V_{DC}$ without damage (25V for LM3302), independent of the magnitude of V^+ .

Note 7: The response time specified is a 100 mV input step with 5 mV overdrive. For larger overdrive signals 300 ns can be obtained, see typical performance characteristics section.

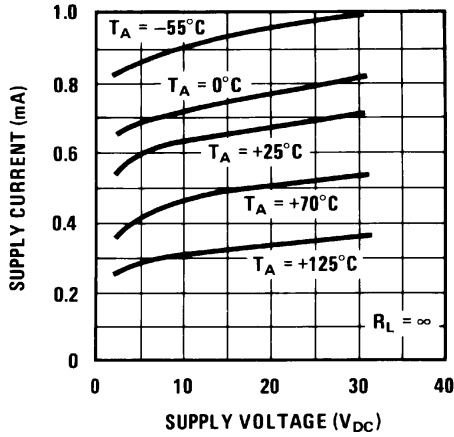
Note 8: Positive excursions of input voltage may exceed the power supply level. As long as the other voltage remains within the common-mode range, the comparator will provide a proper output state. The low input voltage state must not be less than $-0.3 V_{DC}$ (or $0.3 V_{DC}$ below the magnitude of the negative power supply, if used) (at 25°C).

Note 9: At output switch point, $V_O \approx 1.4 V_{DC}$, $R_S = 0\Omega$ with V^+ from 5 V_{DC} to 30 V_{DC} ; and over the full input common-mode range (0 V_{DC} to $V^+ - 1.5 V_{DC}$), at 25°C. For LM3302, V^+ from 5 V_{DC} to 28 V_{DC} .

Note 10: Refer to RETS139AX for LM139A military specifications and to RETS139X for LM139 military specifications.

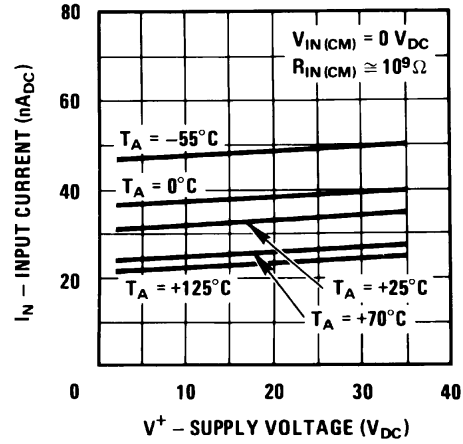
Typical Performance Characteristics LM139/LM239/LM339, LM139A/LM239A/LM339A, LM3302

Supply Current



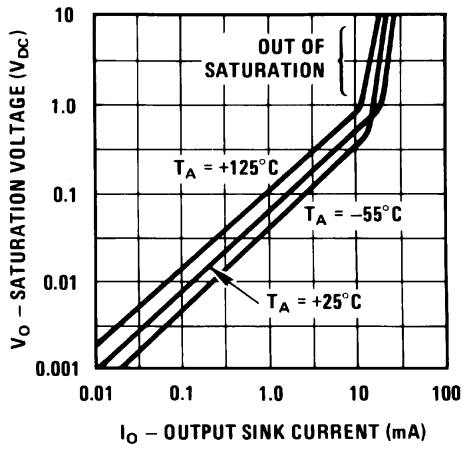
00570634

Input Current



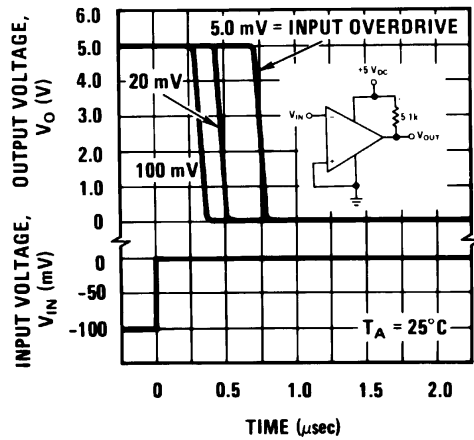
00570635

Output Saturation Voltage



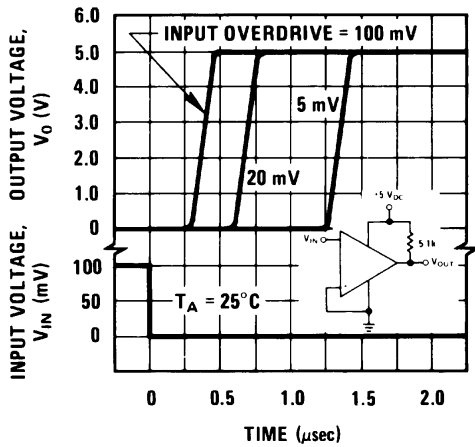
00570636

Response Time for Various Input Overdrives — Negative Transition



00570637

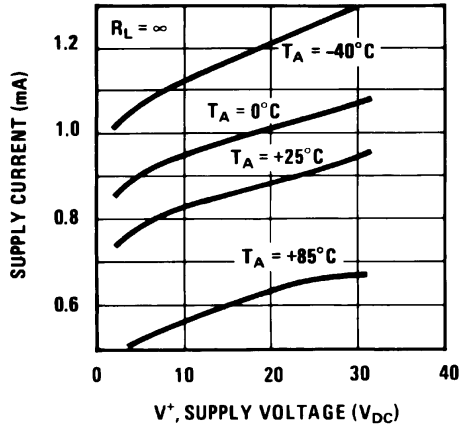
Response Time for Various Input Overdrives — Positive Transition



00570638

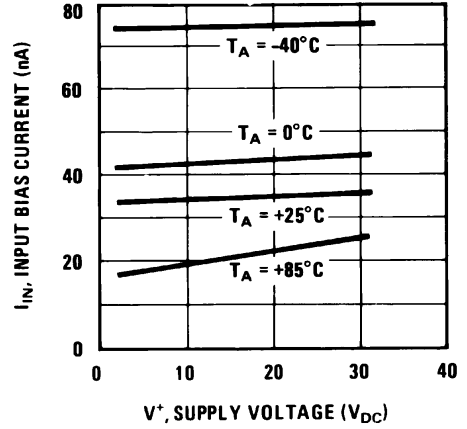
Typical Performance Characteristics LM2901

Supply Current



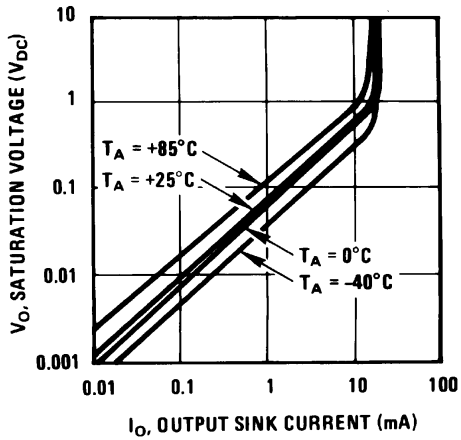
00570639

Input Current



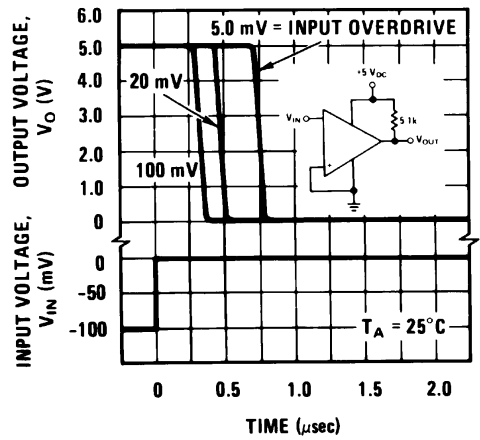
00570640

Output Saturation Voltage



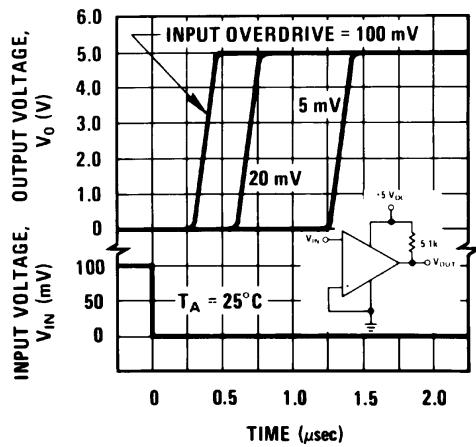
00570641

Response Time for Various Input Overdrives — Negative Transition



00570642

Response Time for Various Input Overdrives — Positive Transition



00570643

Application Hints

The LM139 series are high gain, wide bandwidth devices which, like most comparators, can easily oscillate if the output lead is inadvertently allowed to capacitively couple to the inputs via stray capacitance. This shows up only during the output voltage transition intervals as the comparator changes states. Power supply bypassing is not required to solve this problem. Standard PC board layout is helpful as it reduces stray input-output coupling. Reducing this input resistors to $< 10\text{ k}\Omega$ reduces the feedback signal levels and finally, adding even a small amount (1 to 10 mV) of positive feedback (hysteresis) causes such a rapid transition that oscillations due to stray feedback are not possible. Simply socketing the IC and attaching resistors to the pins will cause input-output oscillations during the small transition intervals unless hysteresis is used. If the input signal is a pulse waveform, with relatively fast rise and fall times, hysteresis is not required.

All pins of any unused comparators should be tied to the negative supply.

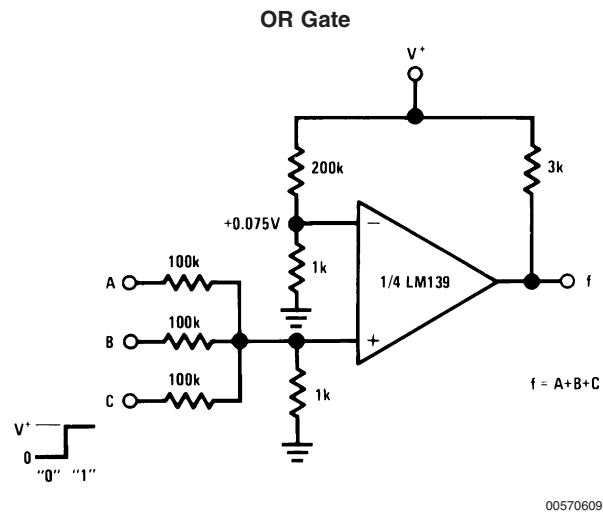
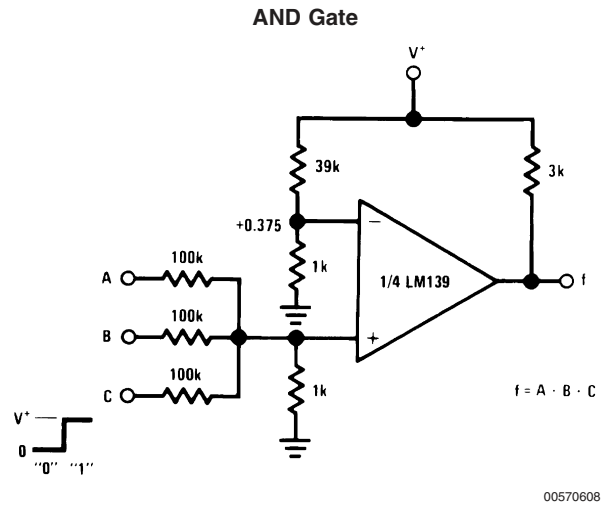
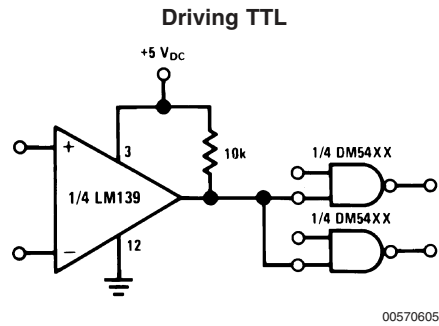
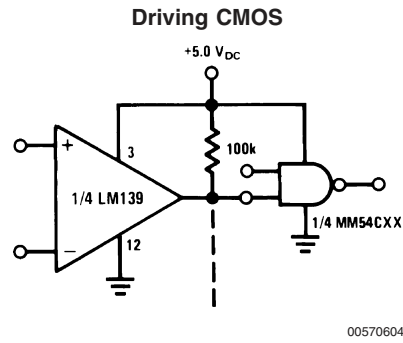
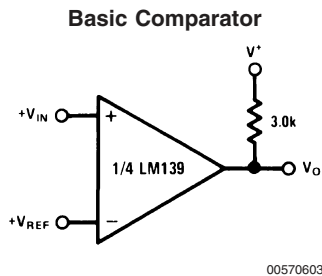
The bias network of the LM139 series establishes a drain current which is independent of the magnitude of the power supply voltage over the range of from 2 V_{DC} to 30 V_{DC} .

It is usually unnecessary to use a bypass capacitor across the power supply line.

The differential input voltage may be larger than V^+ without damaging the device. Protection should be provided to prevent the input voltages from going negative more than $-0.3\text{ V}_{\text{DC}}$ (at 25°C). An input clamp diode can be used as shown in the applications section.

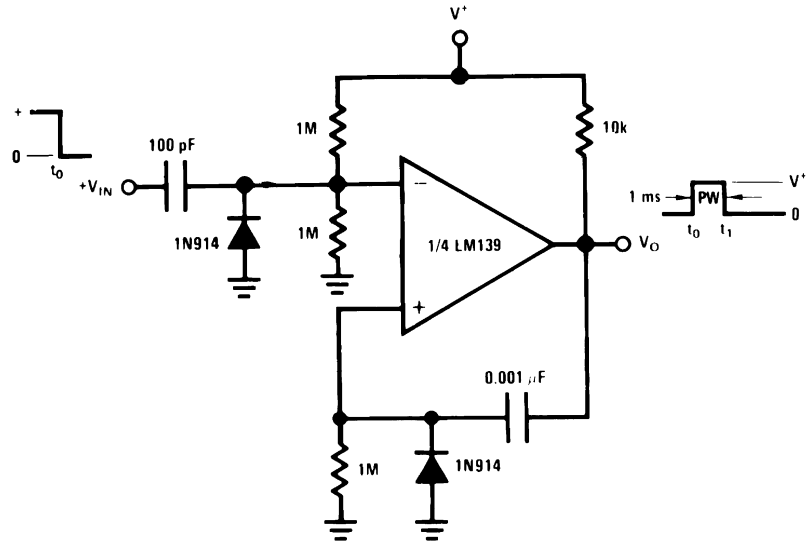
The output of the LM139 series is the uncommitted collector of a grounded-emitter NPN output transistor. Many collectors can be tied together to provide an output OR'ing function. An output pull-up resistor can be connected to any available power supply voltage within the permitted supply voltage range and there is no restriction on this voltage due to the magnitude of the voltage which is applied to the V^+ terminal of the LM139A package. The output can also be used as a simple SPST switch to ground (when a pull-up resistor is not used). The amount of current which the output device can sink is limited by the drive available (which is independent of V^+) and the β of this device. When the maximum current limit is reached (approximately 16 mA), the output transistor will come out of saturation and the output voltage will rise very rapidly. The output saturation voltage is limited by the approximately $60\Omega\text{ R}_{\text{SAT}}$ of the output transistor. The low offset voltage of the output transistor (1 mV) allows the output to clamp essentially to ground level for small load currents.

Typical Applications $(V^+ = 5.0\text{ V}_{\text{DC}})$



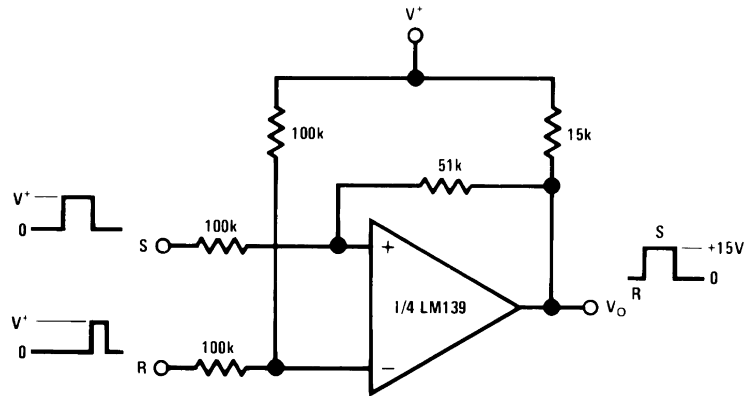
Typical Applications $(V^+ = 15\text{ V}_{\text{DC}})$

One-Shot Multivibrator



00570610

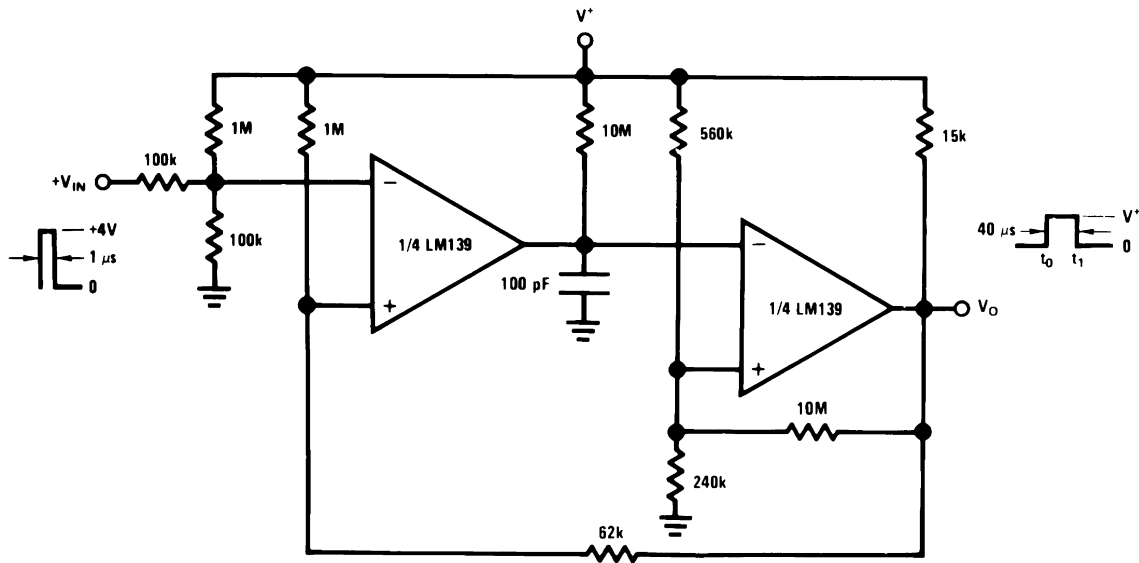
Bi-Stable Multivibrator



00570611

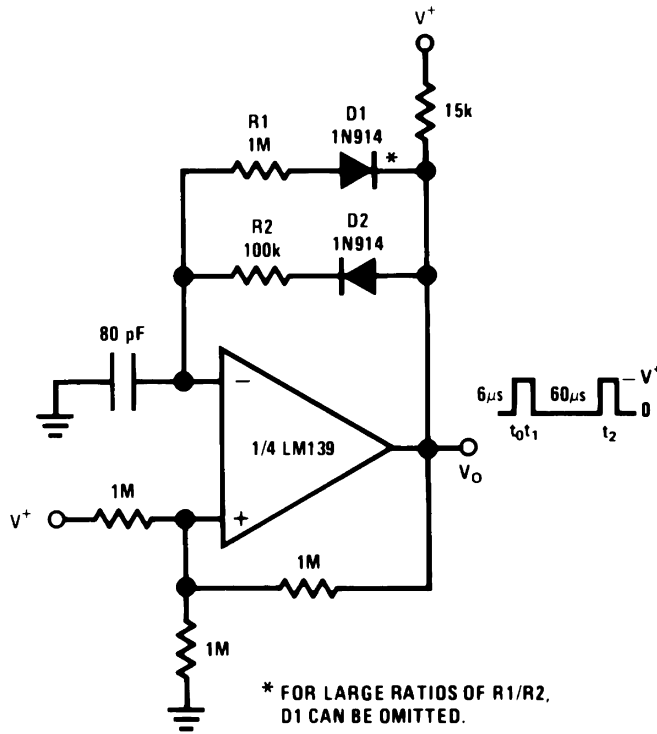
Typical Applications ($V^+ = 15\text{ V}_{DC}$) (Continued)

One-Shot Multivibrator with Input Lock Out



00570612

Pulse Generator



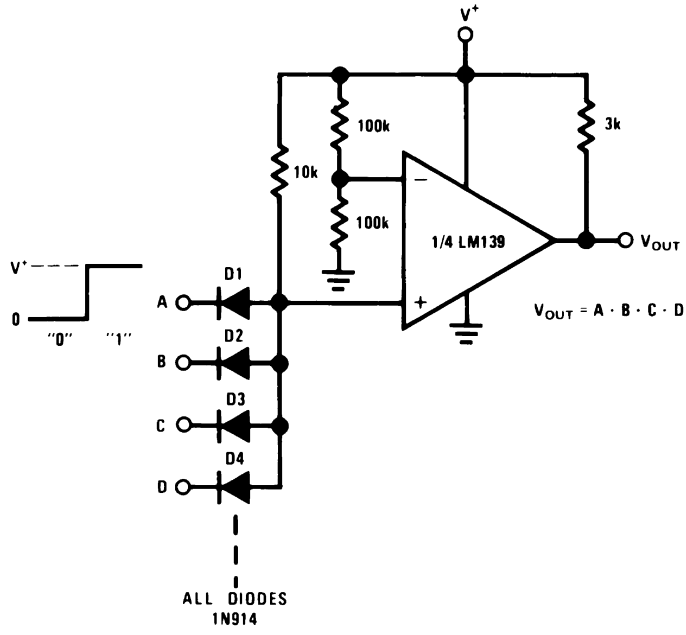
* FOR LARGE RATIOS OF $R1/R2$,
D1 CAN BE OMITTED.

00570617

Typical Applications $(V^+ = 15V_{DC})$

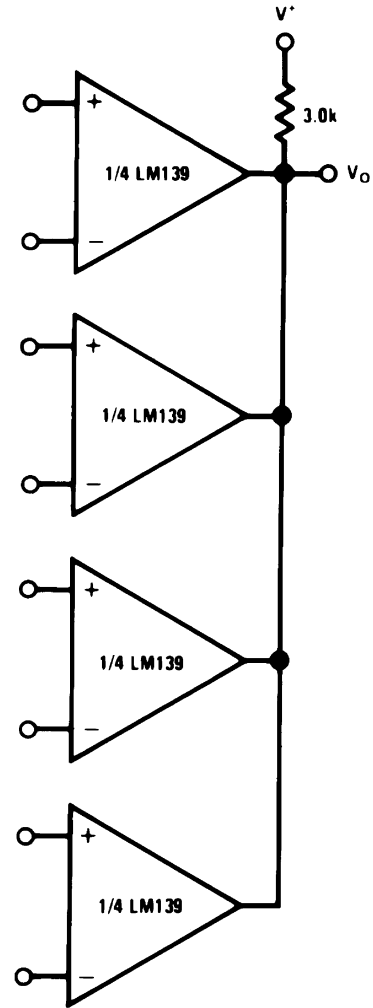
V_{DC} (Continued)

Large Fan-In AND Gate



00570613

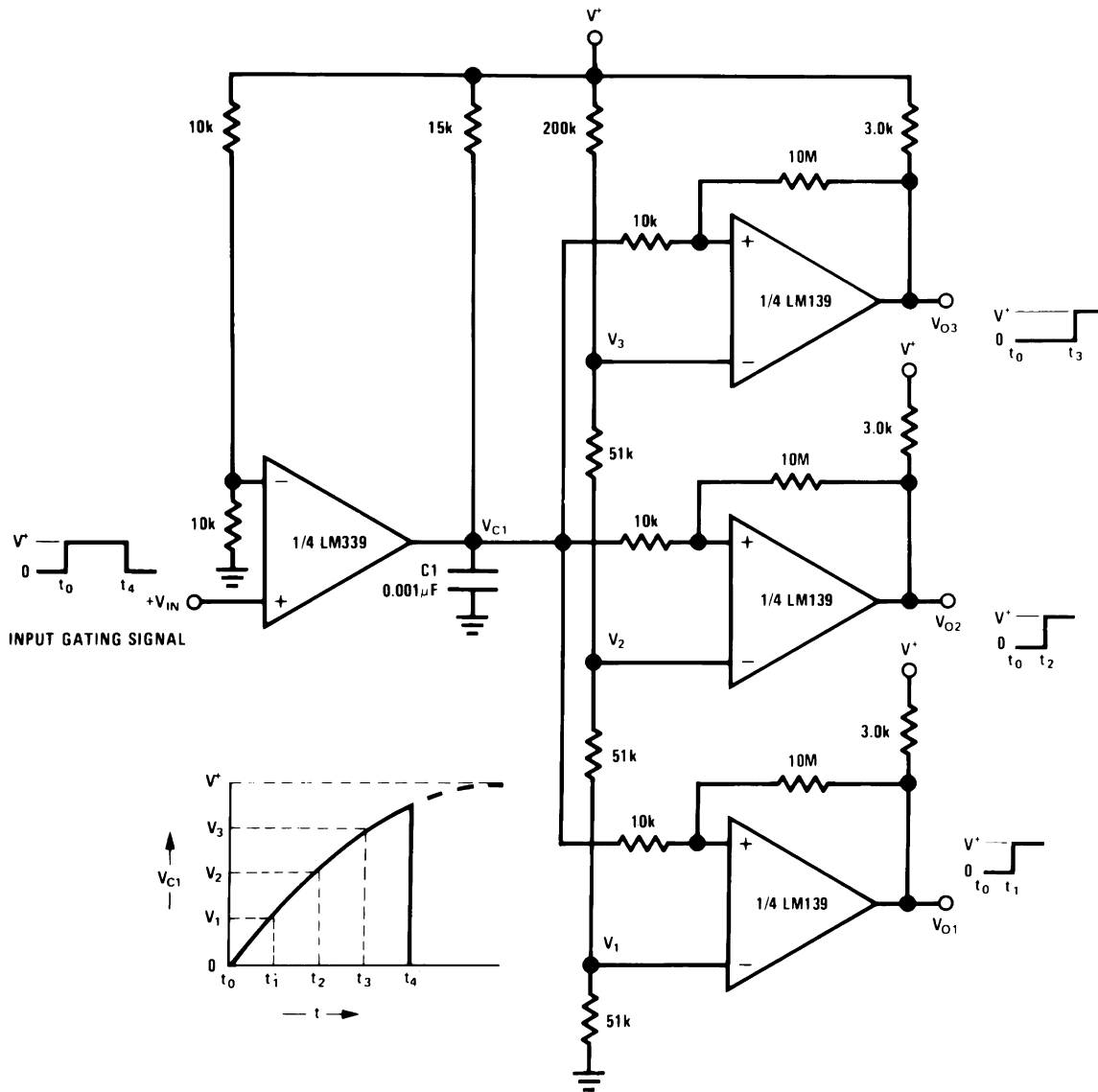
ORing the Outputs



00570615

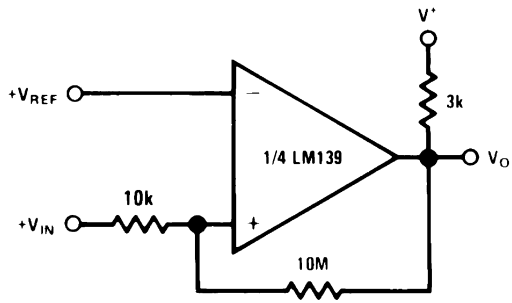
Typical Applications ($V^+ = 15\text{ V}_{DC}$) (Continued)

Time Delay Generator



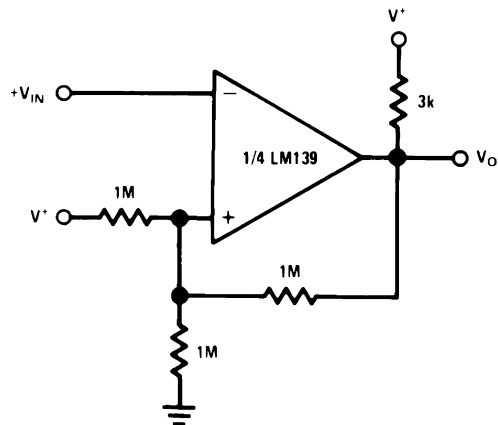
00570614

Non-Inverting Comparator with Hysteresis



00570618

Inverting Comparator with Hysteresis

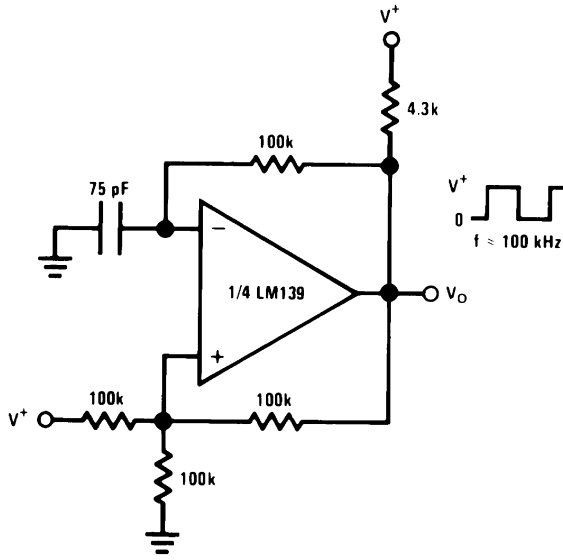


00570619

Typical Applications $(V^+ = 15 V_{DC})$

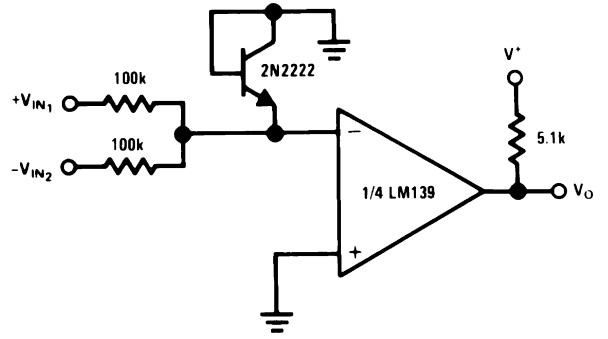
V_{DC} (Continued)

Squarewave Oscillator



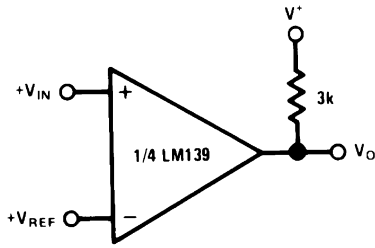
00570616

Comparing Input Voltages of Opposite Polarity



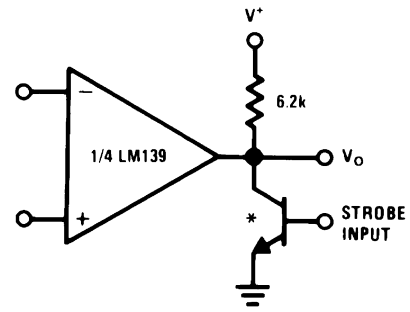
00570620

Basic Comparator



00570621

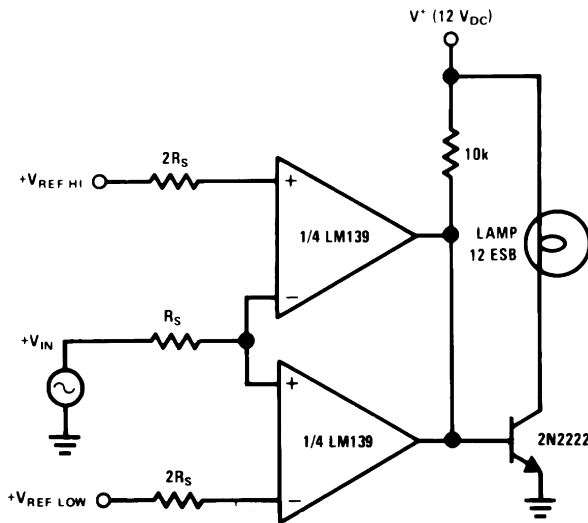
Output Strobing



00570622

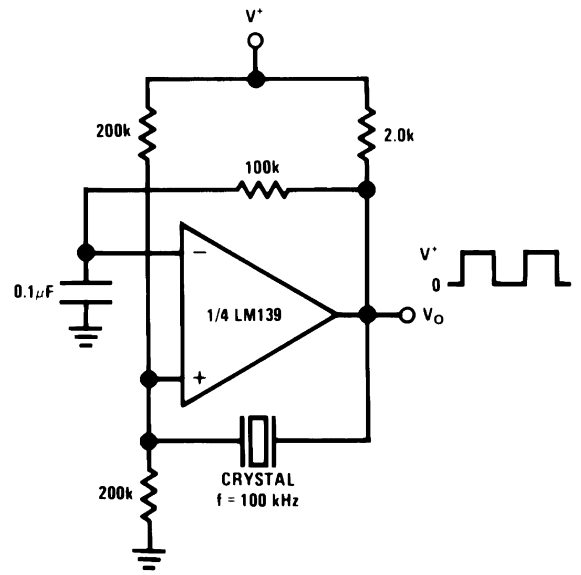
* Or open-collector logic gate without pull-up resistor

Limit Comparator



00570624

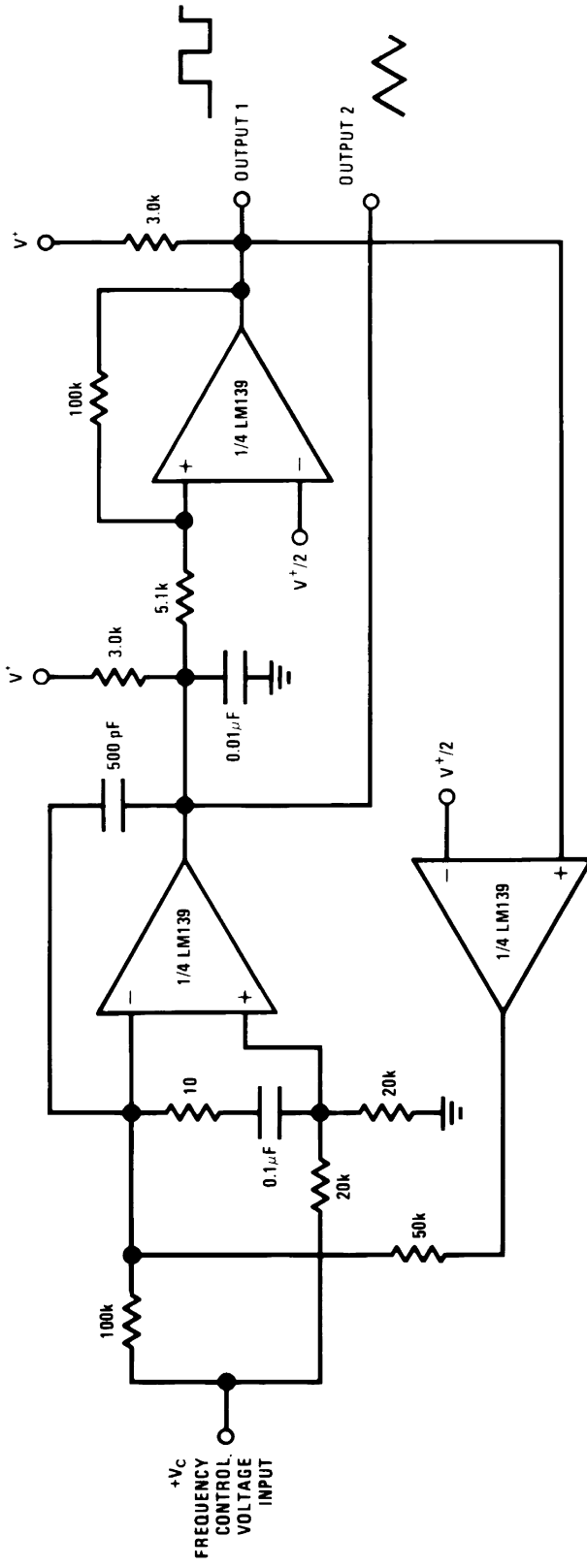
Crystal Controlled Oscillator



00570625

Typical Applications (V⁺= 15 V_{DC}) (Continued)

Two-Decade High-Frequency VCO



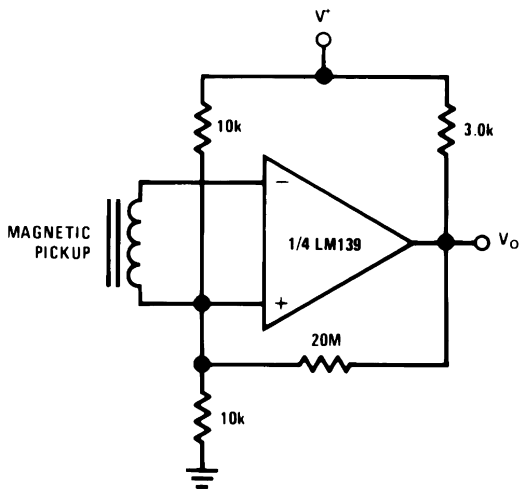
V⁺ = +30 V_{DC}
 250 mV_{DC} ≤ V_C ≤ +50 V_{DC}
 700 Hz ≤ f_O ≤ 100 kHz

00570623

Typical Applications ($V^+ = 15$

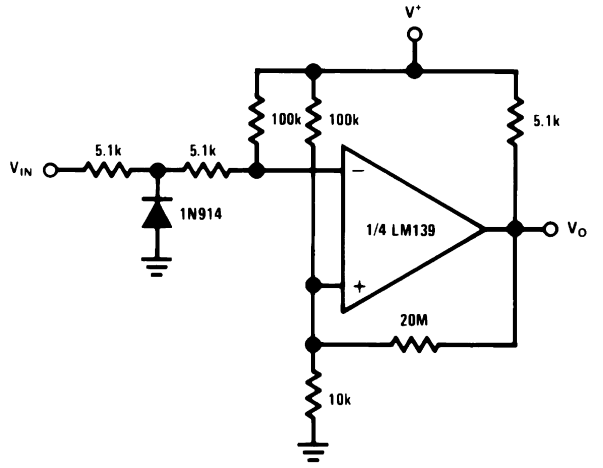
V_{DC}) (Continued)

Transducer Amplifier



00570628

Zero Crossing Detector (Single Power Supply)

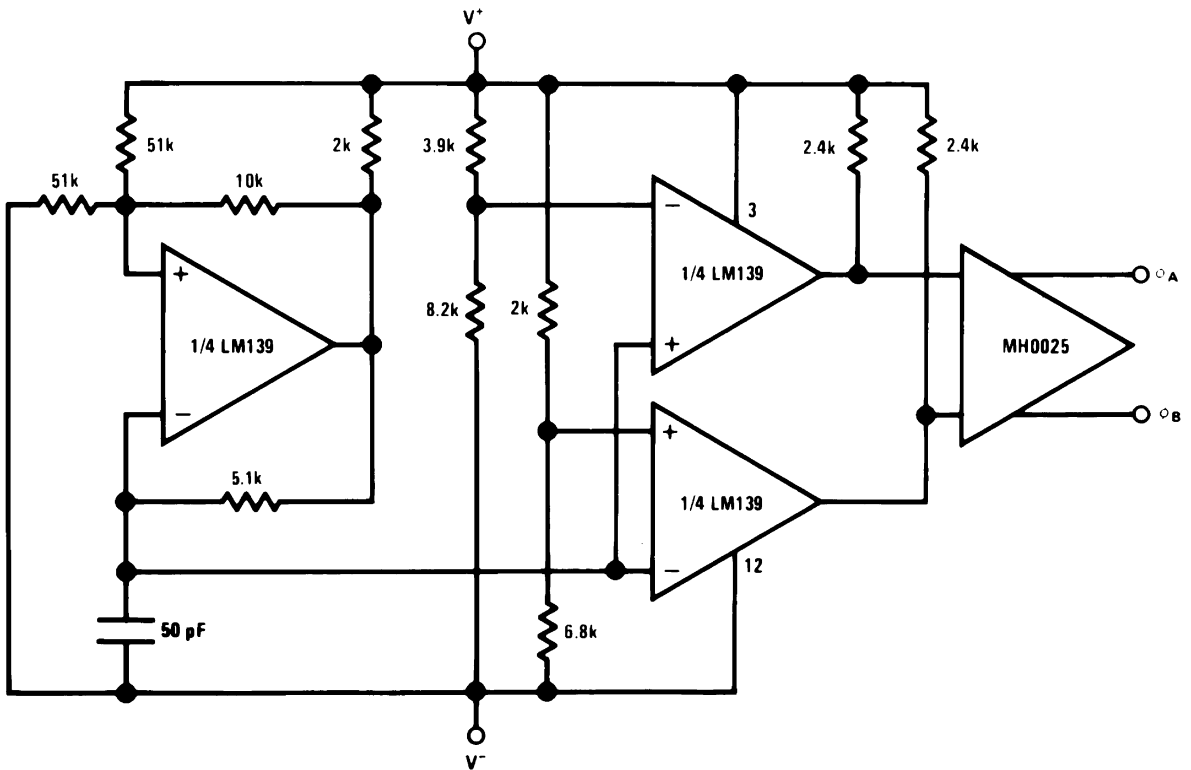


00570630

Split-Supply Applications ($V^+ = +15$

V_{DC} and $V^- = -15$ V_{DC})

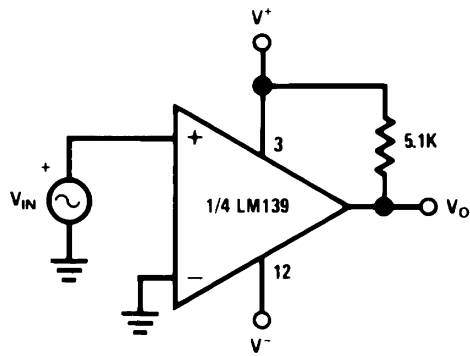
MOS Clock Driver



00570631

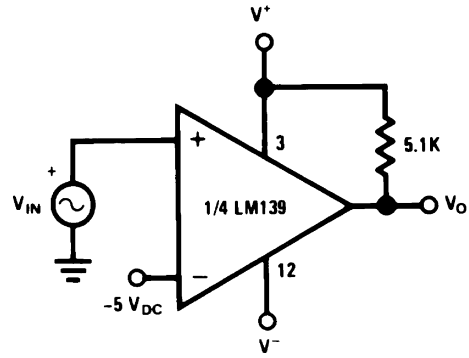
Split-Supply Applications ($V^+ = +15 V_{DC}$ and $V^- = -15 V_{DC}$) (Continued)

Zero Crossing Detector



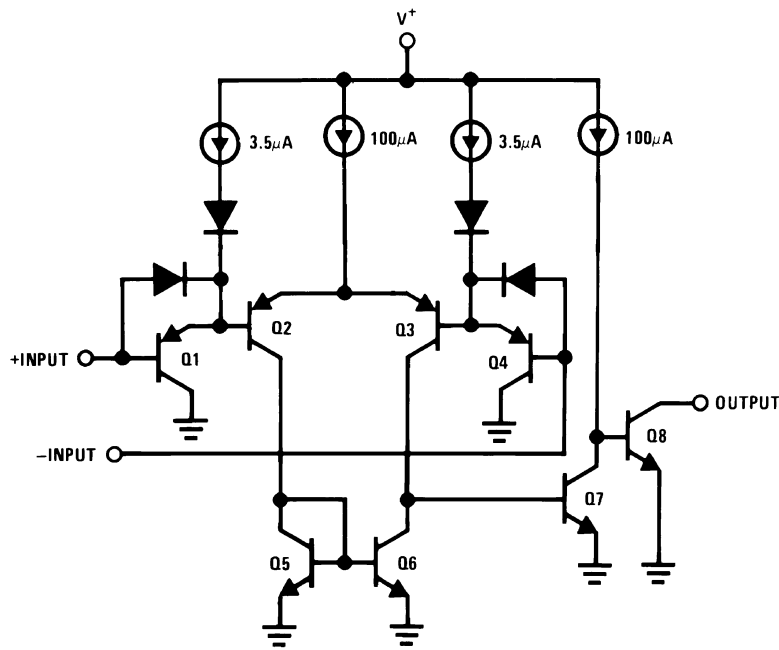
00570632

Comparator With a Negative Reference



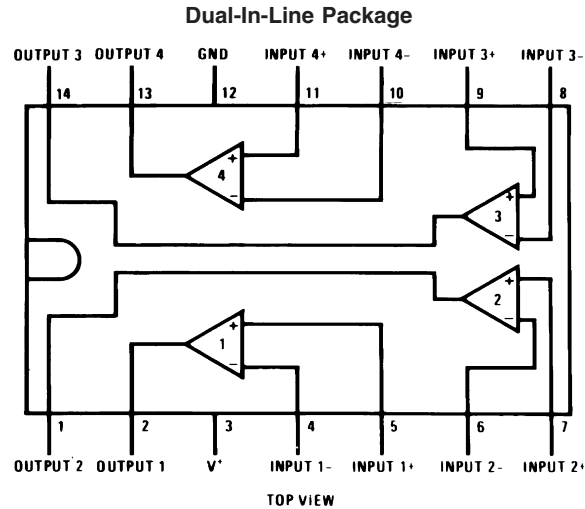
00570633

Schematic Diagram



00570601

Connection Diagrams



00570602

Order Number LM139J, LM139J/883 (Note 11), LM139AJ,
LM139AJ/883 (Note 12), LM239J, LM239AJ, LM339J

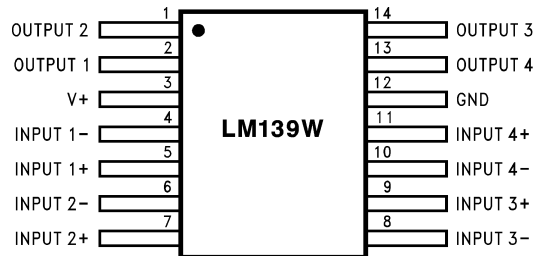
See NS Package Number J14A

Order Number LM339AM, LM339AMX, LM339M, LM339MX or LM2901M

See NS Package Number M14A

Order Number LM339N, LM339AN, LM2901N or LM3302N

See NS Package Number N14A



00570627

Order Number LM139AW/883 or LM139W/883 (Note 11)

See NS Package Number W14B,

LM139AWGRQMLV (Note 13)

See NS Package Number WG14A

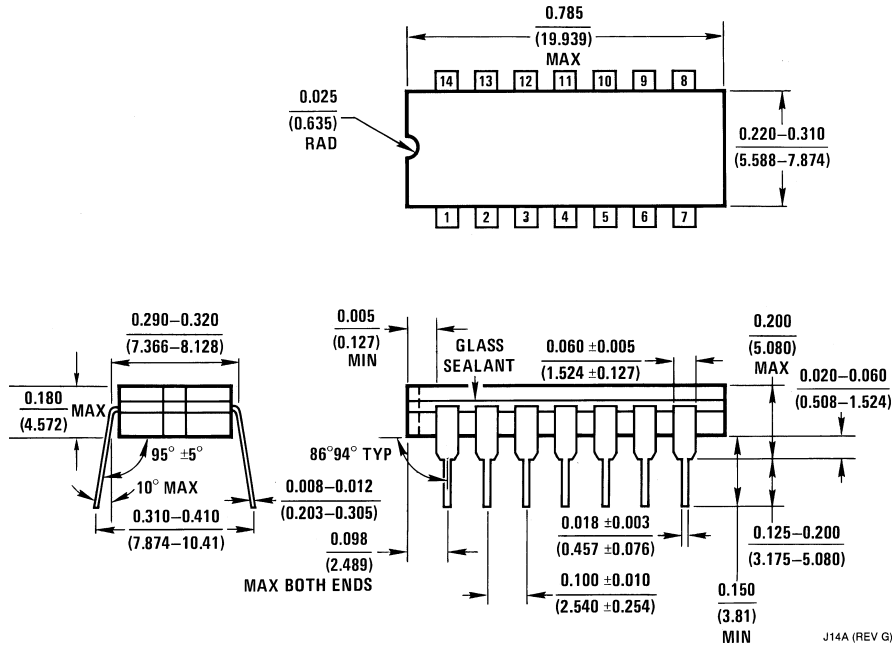
Note 11: Available per JM38510/11201

Note 12: Available per SMD# 5962-8873901

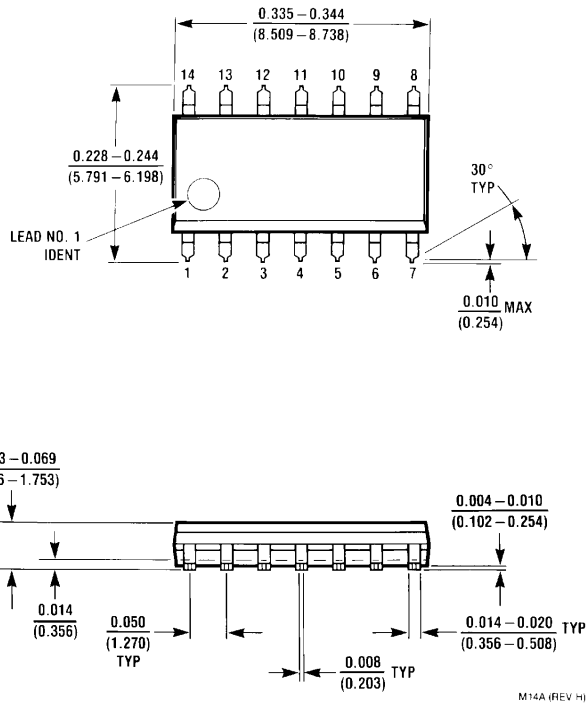
Note 13: See STD Mil Dwg 5962R96738 for Radiation Tolerant Device

Physical Dimensions inches (millimeters)

unless otherwise noted

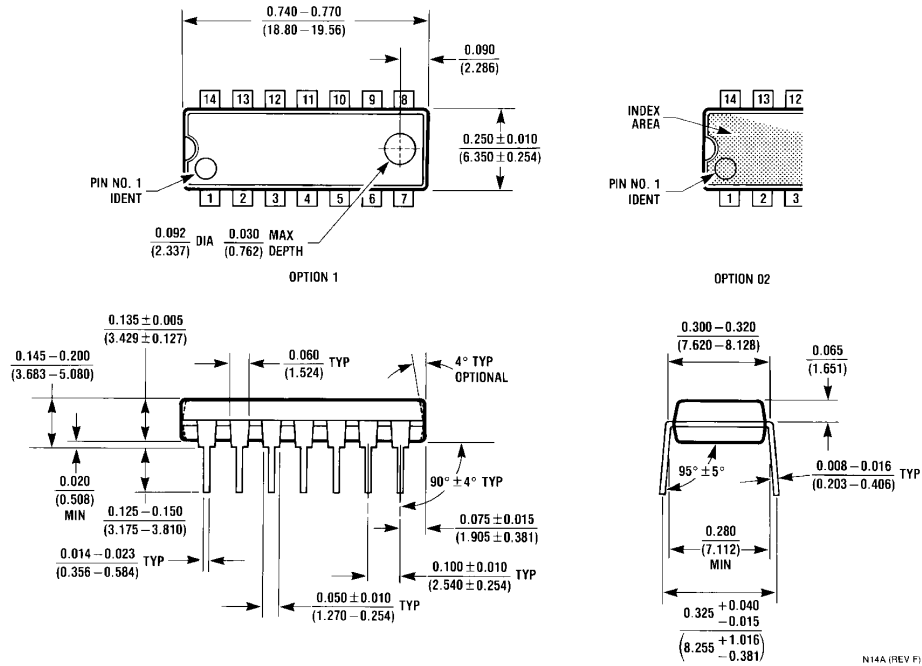


Ceramic Dual-In-Line Package (J)
Order Number LM139J, LM139J/883, LM139AJ,
LM139AJ/883, LM239J, LM239AJ, LM339J
NS Package Number J14A



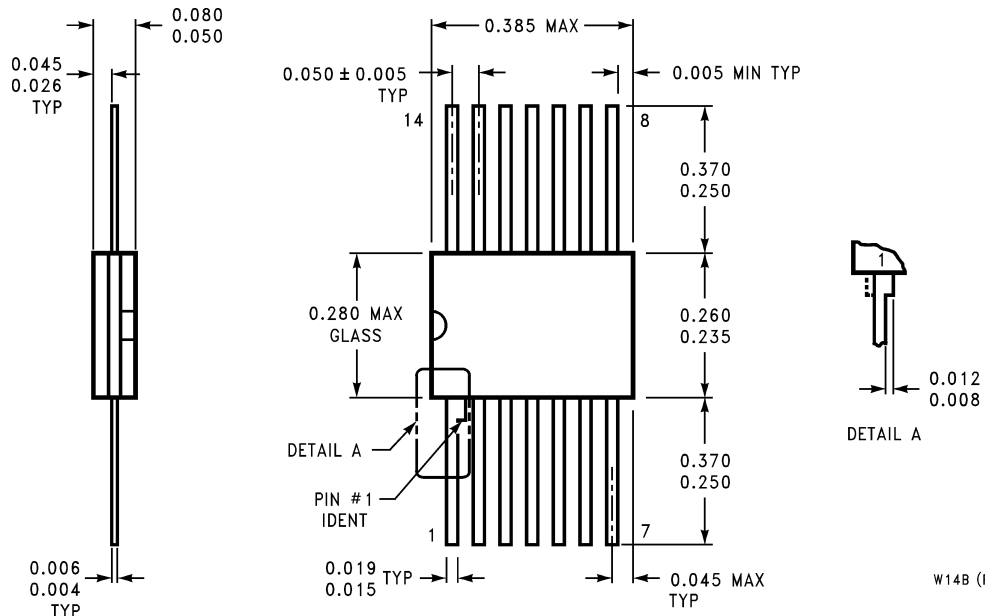
S.O. Package (M)
Order Number LM339AM, LM339AMX, LM339M, LM339MX, LM2901M or LM2901MX
NS Package Number M14A

Physical Dimensions inches (millimeters) unless otherwise noted (Continued)



N14A (REV F)

Molded Dual-In-Line Package (N)
Order Number LM339N, LM339AN, LM2901N or LM3302N
NS Package Number N14A



W14B (REV J)

Order Number LM139AW/883, LM139W/883
NS Package Number W14B

