

LM185/LM285/LM385 Adjustable Micropower Voltage References

General Description

The LM185/LM285/LM385 are micropower 3-terminal adjustable band-gap voltage reference diodes. Operating from 1.24 to 5.3V and over a 10 μ A to 20 mA current range, they feature exceptionally low dynamic impedance and good temperature stability. On-chip trimming is used to provide tight voltage tolerance. Since the LM185 band-gap reference uses only transistors and resistors, low noise and good long-term stability result.

Careful design of the LM185 has made the device tolerant of capacitive loading, making it easy to use in almost any reference application. The wide dynamic operating range allows its use with widely varying supplies with excellent regulation.

The extremely low power drain of the LM185 makes it useful for micropower circuitry. This voltage reference can be used to make portable meters, regulators or general purpose an-

alog circuitry with battery life approaching shelf life. Further, the wide operating current allows it to replace older references with a tighter tolerance part.

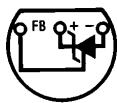
The LM185 is rated for operation over a -55°C to 125°C temperature range, while the LM285 is rated -40°C to 85°C and the LM385 0°C to 70°C . The LM185 is available in a hermetic TO-46 package and a leadless chip carrier package, while the LM285/LM385 are available in a low-cost TO-92 molded package, as well as S.O.

Features

- Adjustable from 1.24V to 5.30V
- Operating current of 10 μ A to 20 mA
- 1% and 2% initial tolerance
- 1 Ω dynamic impedance
- Low temperature coefficient

Connection Diagrams

TO-92
Plastic Package



TL/H/5250-9

Bottom View

Order Number LM285BXZ,
LM285BYZ, LM285Z, LM385BXZ,
LM385BYZ, LM385BZ or LM385Z
See NS Package Number Z03A

TO-46
Metal Can Package

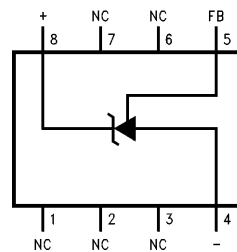


TL/H/5250-1

Bottom View

Order Number
LM185BH, LM185BH/883,
LM185BYH or LM185BYH/883
See NS Package Number H03H

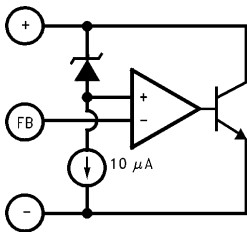
SO Package



TL/H/5250-10

Order Number LM285M, LM285BYM,
LM385BM or LM385M
See NS Package Number M08A

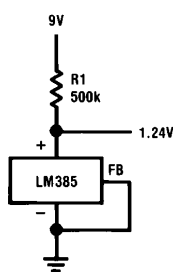
Block Diagram



TL/H/5250-13

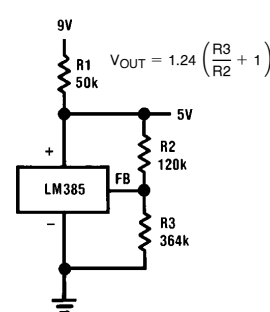
Typical Applications

1.2V Reference



TL/H/5250-14

5.0V Reference



TL/H/5250-2

$$V_{OUT} = 1.24 \left(\frac{R3}{R2} + 1 \right)$$

Absolute Maximum Ratings (Note 1)

If Military/Aerospace specified devices are required, please contact the National Semiconductor Sales Office/Distributors for availability and specifications. (Note 2)

Reverse Current	30 mA
Forward Current	10 mA
Operating Temperature Range (Note 3)	
LM185 Series	−55°C to 125°C
LM285 Series	−40°C to 85°C
LM385 Series	0°C to 70°C
Storage Temperature	−55°C to 150°C

Soldering Information

TO-92 Package (10 sec.)	260°C
TO-46 Package (10 sec.)	300°C
SO Package	
Vapor Phase (60 sec.)	215°C
Infrared (15 sec.)	220°C

See An-450 "Surface Mounting Methods and Their Effect on Product Reliability" for other methods of soldering surface mount devices.

Electrical Characteristics (Note 4)

Parameter	Conditions	LM185, LM285				LM385				Units (Limit)		
		Typ	LM185BX, LM185BY LM185B, LM285BX, LM285BY		LM285		Typ	LM385BX, LM385BY			LM385	
			Tested Limit (Note 5)	Design Limit (Note 6)	Tested Limit (Note 5)	Design Limit (Note 6)		Tested Limit (Note 5)	Design Limit (Note 6)		Tested Limit (Note 5)	Design Limit (Note 6)
Reference Voltage	$I_R = 100 \mu A$	1.240	1.252 1.255 1.228 1.215		1.265 1.270 1.215 1.205	1.240	1.252 1.255 1.228 1.215	1.265 1.270 1.215 1.205		V (max) V (min)		
Reference Voltage Change with Current	$I_{MIN} < I_R < 1 \text{ mA}$ $1 \text{ mA} < I_R < 20 \text{ mA}$	0.2 4	1 10	1.5 20	1 10	1.5 20	0.2 5	1 15	1.5 25	1 15	1.5 25	mV (max)
Dynamic Output Impedance	$I_R = 100 \mu A, f = 100 \text{ Hz}$ $I_{AC} = 0.1 I_R, V_{OUT} = V_{REF}$ $V_{OUT} = 5.3V$	0.3 0.7				0.4 1						Ω
Reference Voltage Change with Output Voltage	$I_R = 100 \mu A$	1	3	6	3	6	2	5	10	5	10	mV (max)
Feedback Current		13	20	25	20	25	16	30	35	30	35	nA (max)
Minimum Operating Current (see curve)	$V_{OUT} = V_{REF}$ $V_{OUT} = 5.3V$	6 30	9 45	10 50	9 45	10 50	7 35	11 55	13 60	11 55	13 60	μA (max)
Output Wideband Noise	$I_R = 100 \mu A, 10 \text{ Hz} < f < 10 \text{ kHz}$ $V_{OUT} = V_{REF}$ $V_{OUT} = 5.3V$	50 170					50 170					μV_{rms}
Average Temperature Coefficient (Note 7)	$I_R = 100 \mu A$ X Suffix Y Suffix All Others		30 50	150	30 50	150		30 50	150	30 50	150	ppm/°C (max)
Long Term Stability	$I_R = 100 \mu A, T = 1000 \text{ Hr}, T_A = 25^\circ C \pm 0.1^\circ C$	20					20					ppm

Note 1: Absolute Maximum Ratings indicate limits beyond which damage to the device may occur. Operating Ratings indicate conditions for which the device is intended to be functional, but do not guarantee specific performance limits. For guaranteed specifications and test conditions, see the Electrical Characteristics. The guaranteed specifications apply only for the test conditions listed.

Note 2: Refer to RETS185H for military specifications.

Note 3: For elevated temperature operation, T_J max is:
LM185 150°C
LM285 125°C
LM385 100°C

Thermal Resistance	TO-92	TO-46	SO-8
θ_{JA} (Junction to Ambient)	180°C/W (0.4" leads) 170°C/W (0.125" leads)	440°C/W	165°C/W
θ_{JC} (Junction to Case)	N/A	80°C/W	N/A

Note 4: Parameters identified with **boldface type** apply at temperature extremes. All other numbers apply at $T_A = T_J = 25^\circ C$. Unless otherwise specified, all parameters apply for $V_{REF} < V_{OUT} < 5.3V$.

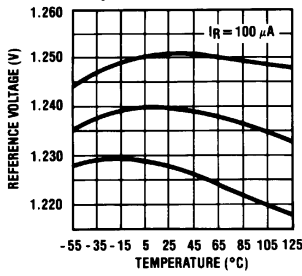
Note 5: Guaranteed and 100% production tested.

Note 6: Guaranteed, but not 100% production tested. These limits are not to be used to calculate average outgoing quality levels.

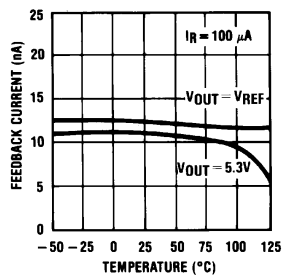
Note 7: The average temperature coefficient is defined as the maximum deviation of reference voltage at all measured temperatures from T_{min} to T_{max} , divided by $T_{max} - T_{min}$. The measured temperatures are −55, −40, 0, 25, 70, 85, 125°C.

Typical Performance Characteristics

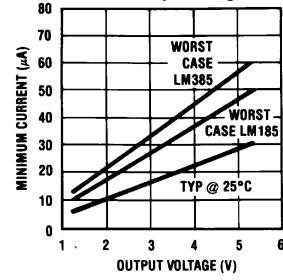
Temperature Drift of 3 Representative Units



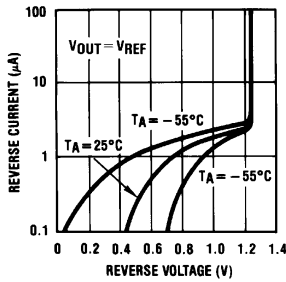
Feedback Current



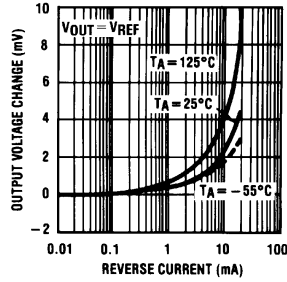
Minimum Operating Current



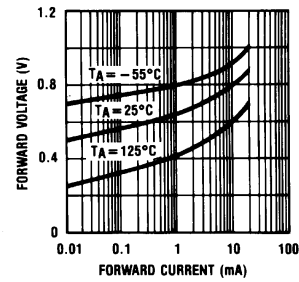
Reverse Characteristics



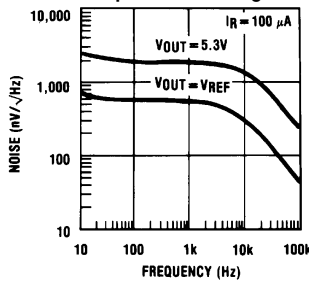
Reverse Characteristics



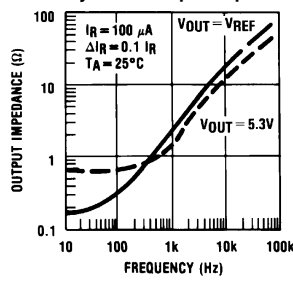
Forward Characteristics



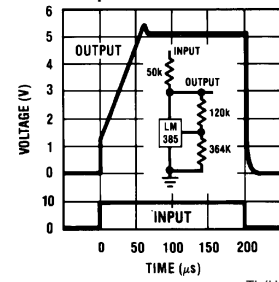
Output Noise Voltage



Dynamic Output Impedance

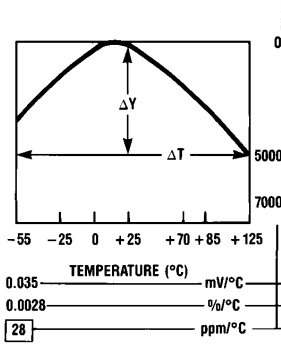


Response Time

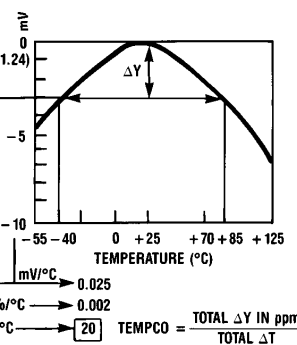


TL/H/5250-3

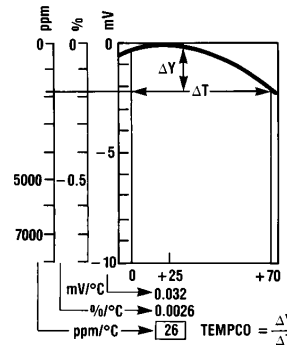
LM185 Temperature Coefficient Typical



LM285 Temperature Coefficient Typical



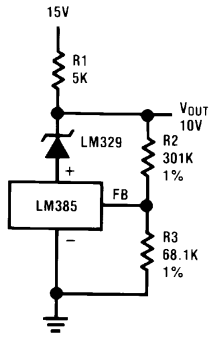
LM385 Temperature Coefficient Typical



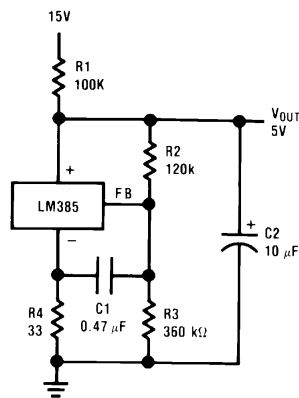
TL/H/5250-4

Typical Applications (Continued)

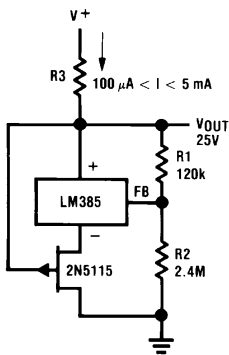
Precision 10V Reference



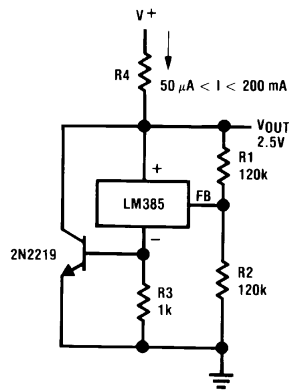
Low AC Noise Reference



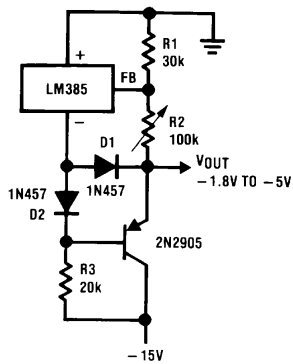
25V Low Current Shunt Regulator



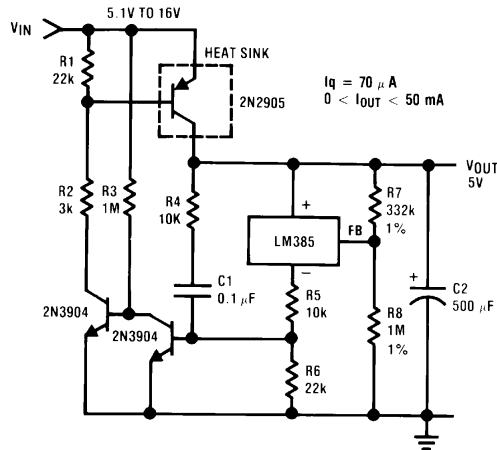
200 mA Shunt Regulator



Series-Shunt 20 mA Regulator



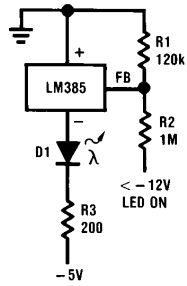
High Efficiency Low Power Regulator



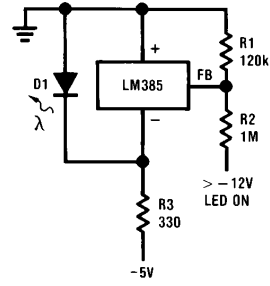
TL/H/5250-5

Typical Applications (Continued)

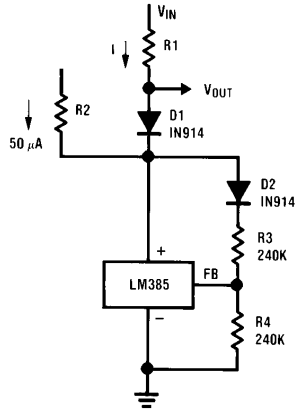
Voltage Level Detector



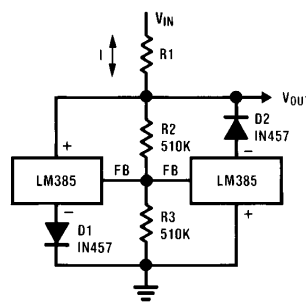
Voltage Level Detector



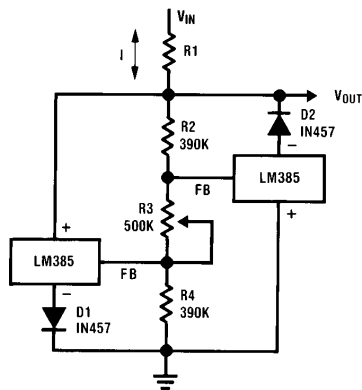
Fast Positive Clamp $2.4V + \Delta V_{D1}$



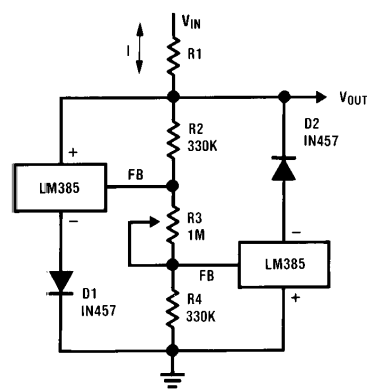
Bidirectional Clamp $\pm 2.4V$



Bidirectional Adjustable Clamp $\pm 1.8V$ to $\pm 2.4V$



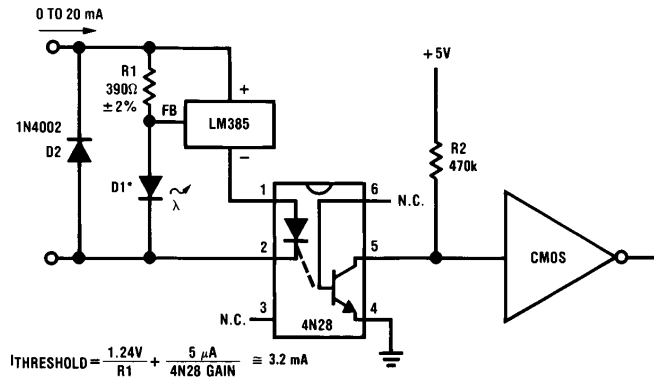
Bidirectional Adjustable Clamp $\pm 2.4V$ to $\pm 6V$



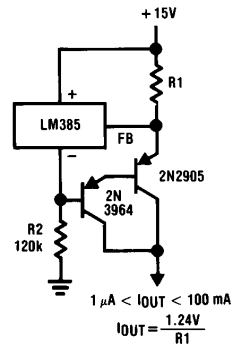
TL/H/5250-6

Typical Applications (Continued)

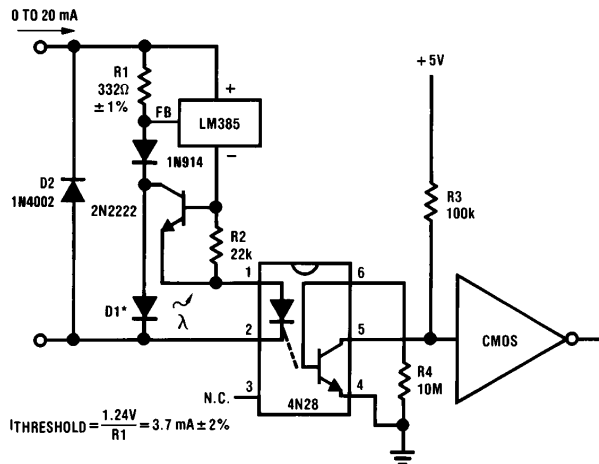
Simple Floating Current Detector



Current Source



Precision Floating Current Detector

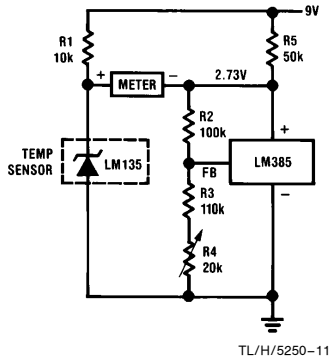


* D1 can be any LED, $V_F = 1.5\text{V to } 2.2\text{V}$ at 3 mA. D1 may act as an indicator. D1 will be on if $I_{\text{THRESHOLD}}$ falls below the threshold current, except with $I = 0$.

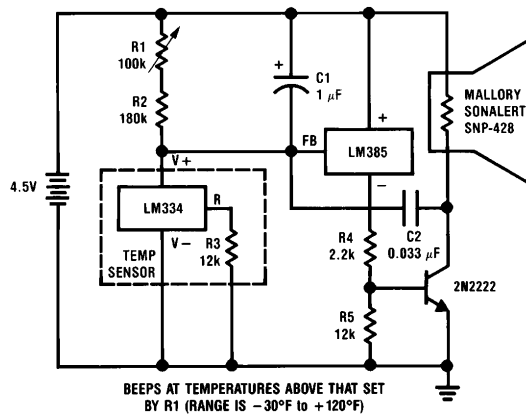
TL/H/5250-7

Typical Applications (Continued)

Centigrade Thermometer, 10 mV/°C

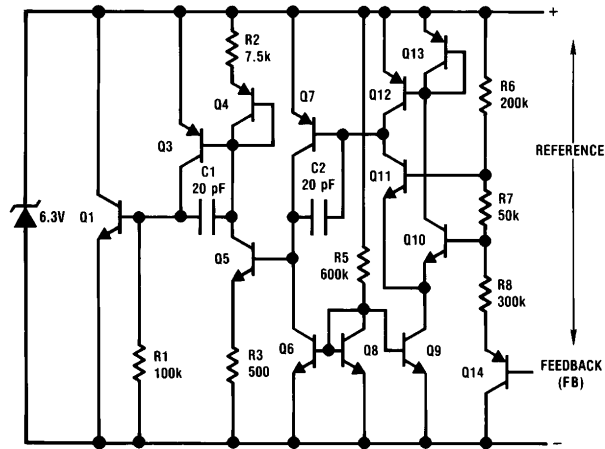


Freezer Alarm

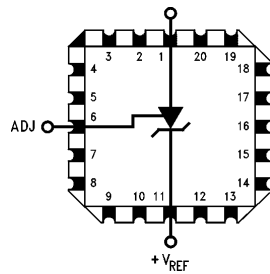


BEEPS AT TEMPERATURES ABOVE THAT SET BY R1 (RANGE IS -30°F to +120°F)

Schematic Diagram



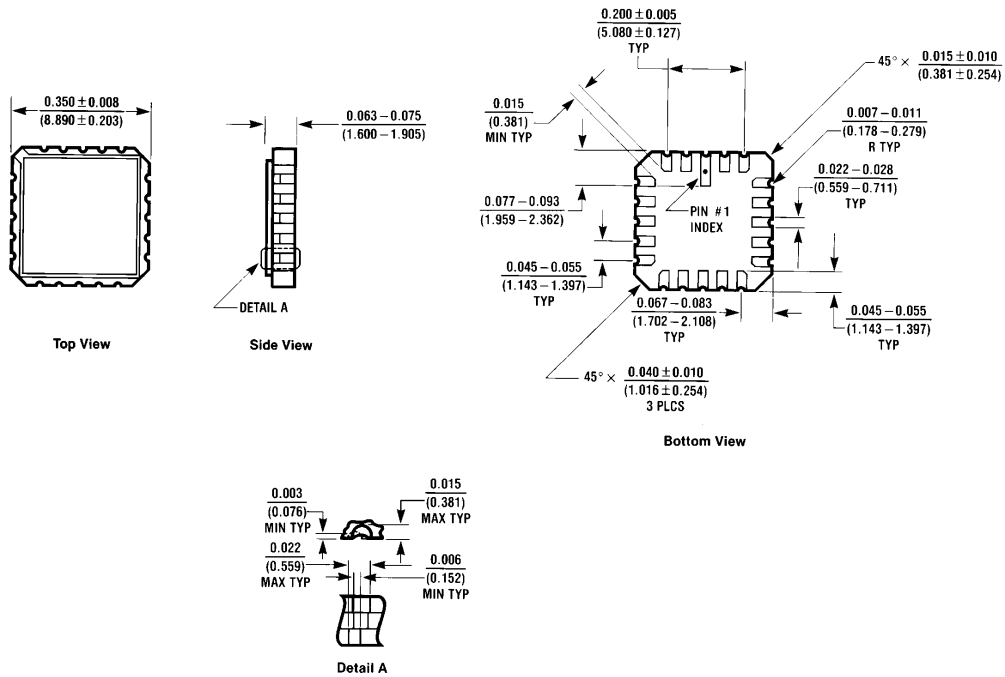
Connection Diagrams (Continued)



Order Number LM185BE/883
See NS Package Number E20A

TL/H/5250-15

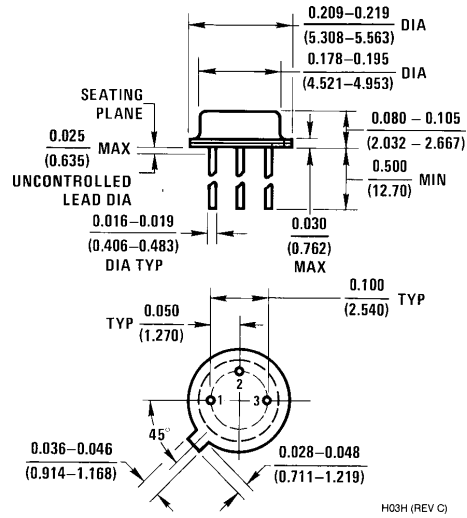
Physical Dimensions inches (millimeters)



E20A (REV D)

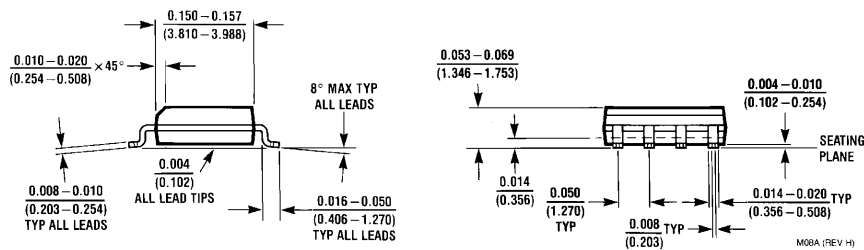
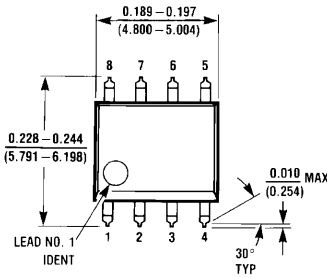
20-Leadless Chip Carrier (E)
Order Number LM185BE/883
NS Package Number E20A

Physical Dimensions inches (millimeters) (Continued)



TO-46 Metal Can Package (H)
 Order Number LM185BH, LM185BH/883,
 LM185BYH or LM185BYH/883
 NS Package Number H03H

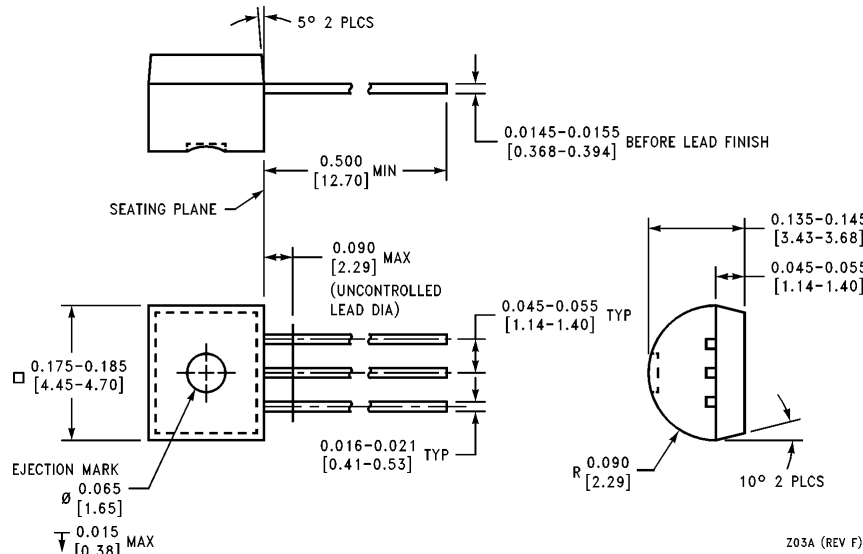
H03H (REV C)



SO Package (M)
 Order Number LM285M, LM285BYM, LM385BM or LM385M
 NS Package Number M08A

M08A (REV H)

Physical Dimensions inches (millimeters) (Continued)



TO-92 Plastic Package (Z)
Order Number LM385BZ, LM385Z, LM385BXZ, LM385BYZ, LM285Z, LM285BXZ or LM285BYZ
NS Package Number Z03A

LIFE SUPPORT POLICY

NATIONAL'S PRODUCTS ARE NOT AUTHORIZED FOR USE AS CRITICAL COMPONENTS IN LIFE SUPPORT DEVICES OR SYSTEMS WITHOUT THE EXPRESS WRITTEN APPROVAL OF THE PRESIDENT OF NATIONAL SEMICONDUCTOR CORPORATION. As used herein:

1. Life support devices or systems are devices or systems which, (a) are intended for surgical implant into the body, or (b) support or sustain life, and whose failure to perform, when properly used in accordance with instructions for use provided in the labeling, can be reasonably expected to result in a significant injury to the user.
2. A critical component is any component of a life support device or system whose failure to perform can be reasonably expected to cause the failure of the life support device or system, or to affect its safety or effectiveness.



National Semiconductor Corporation
 1111 West Bardin Road
 Arlington, TX 76017
 Tel: 1(800) 272-9959
 Fax: 1(800) 737-7018

National Semiconductor Europe
 Fax: (+49) 0-180-530 85 86
 Email: cnjwge@tevm2.nsc.com
 Deutsch Tel: (+49) 0-180-530 85 85
 English Tel: (+49) 0-180-532 78 32
 Français Tel: (+49) 0-180-532 93 58
 Italiano Tel: (+49) 0-180-534 16 80

National Semiconductor Hong Kong Ltd.
 19th Floor, Straight Block,
 Ocean Centre, 5 Canton Rd.
 Tsimshatsui, Kowloon
 Hong Kong
 Tel: (852) 2737-1600
 Fax: (852) 2736-9960

National Semiconductor Japan Ltd.
 Tel: 81-043-299-2309
 Fax: 81-043-299-2408

National does not assume any responsibility for use of any circuitry described, no circuit patent licenses are implied and National reserves the right at any time without notice to change said circuitry and specifications.