

## LPC661 Low Power CMOS Operational Amplifier

### General Description

The LPC661 CMOS operational amplifier is ideal for operation from a single supply. It features a wide range of operating supply voltage from +5V to +15V, rail-to-rail output swing and an input common-mode range that includes ground. Performance limitations that have plagued CMOS amplifiers in the past are not a problem with this design. Input  $V_{OS}$ , drift, and broadband noise as well as voltage gain (into 100 k $\Omega$  and 5 k $\Omega$ ) are all equal to or better than widely accepted bipolar equivalents, while the supply current requirement is typically 55  $\mu$ A.

This chip is built with National's advanced Double-Poly Silicon-Gate CMOS process.

See the LPC660 datasheet for a Quad CMOS operational amplifier or the LPC662 data sheet for a Dual CMOS operational amplifier with these same features.

### Features

(Typical unless otherwise noted)

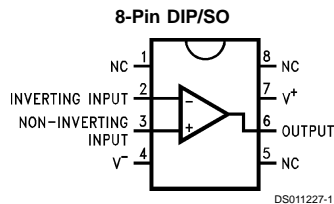
- Rail-to-rail output swing

- Low supply current 55  $\mu$ A
- Specified for 100 k $\Omega$  and 5 k $\Omega$  loads
- High voltage gain 120 dB
- Low input offset voltage 3 mV
- Low offset voltage drift 1.3  $\mu$ V/ $^{\circ}$ C
- Ultra low input bias current 2 fA
- Input common-mode range includes GND
- Operating range from +5V to +15V
- Low distortion 0.01% at 1 kHz
- Slew rate 0.11 V/ $\mu$ s

### Applications

- High-impedance buffer
- Precision current-to-voltage converter
- Long-term integrator
- High-impedance preamplifier
- Active filter
- Sample-and-Hold circuit
- Peak detector

### Connection Diagram



### Ordering Information

Package	Temperature Range		NSC Drawing	Transport Media
	Military -55 $^{\circ}$ C to +125 $^{\circ}$ C	Industrial -40 $^{\circ}$ C to +85 $^{\circ}$ C		
8-Pin Small Outline		LPC661AIM LPC661IM	M08A	Tape and Reel Rail
8-Pin Molded DIP	LPC661AMN	LPC661AIN LPC661IN	N08E	Rail

## Absolute Maximum Ratings (Note 1)

If Military/Aerospace specified devices are required, please contact the National Semiconductor Sales Office/Distributors for availability and specifications.

Supply Voltage ( $V^+ - V^-$ )	16V
Differential Input Voltage	$\pm$ Supply Voltage
Output Short Circuit to $V^+$	(Notes 2, 9)
Output Short Circuit to $V^-$	(Note 2)
Storage Temperature Range	$-65^\circ\text{C}$ to $+150^\circ\text{C}$
Lead Temperature (Soldering, 10 sec.)	$260^\circ\text{C}$
Junction Temperature (Note 3)	$150^\circ\text{C}$
Power Dissipation	(Note 3)
ESD Rating ( $C=100\text{ pF}$ , $R=1.5\text{ k}\Omega$ )	1000V
Current at Input Pin	$\pm 5\text{ mA}$

Current at Output Pin	$\pm 18\text{ mA}$
Voltage Input/Output Pin	( $V^+$ ) $+0.3\text{V}$ , ( $V^-$ ) $-0.3\text{V}$
Current at Power Supply Pin	35 mA

## Operating Ratings (Note 1)

Supply Voltage	$4.75\text{V} \leq V^+ \leq 15.5\text{V}$
Junction Temperature Range	
LPC661AM	$-55^\circ\text{C} \leq T_J \leq +125^\circ\text{C}$
LPC661AI	$-40^\circ\text{C} \leq T_J \leq +85^\circ\text{C}$
LPC661I	$-40^\circ\text{C} \leq T_J \leq +85^\circ\text{C}$
Power Dissipation	(Note 7)
Thermal Resistance ( $\theta_{JA}$ ) (Note 8)	
8-Pin DIP	$101^\circ\text{C/W}$
8-Pin SO	$165^\circ\text{C/W}$

## DC Electrical Characteristics

The following specifications apply for  $V^+ = 5\text{V}$ ,  $V^- = 0\text{V}$ ,  $V_{CM} = 1.5\text{V}$ ,  $V_O = 2.5\text{V}$ , and  $R_L = 1\text{M}$  unless otherwise noted. **Bold-face** limits apply at the temperature extremes; all other limits  $T_J = 25^\circ\text{C}$ .

Symbol	Parameter	Conditions	Typ	LPC661AM Limit (Note 4)	LPC661AI Limit (Note 4)	LPC661I Limit (Note 4)	Units (Limit)
$V_{OS}$	Input Offset Voltage		1	3 <b>3.5</b>	3 <b>3.3</b>	6 <b>6.3</b>	mV
$TCV_{OS}$	Input Offset Voltage Average Drift		1.3				$\mu\text{V}/^\circ\text{C}$
$I_B$	Input Bias Current		0.002	20 <b>100</b>	<b>4</b>	<b>4</b>	pA max
$I_{OS}$	Input Offset Current		0.001	20 <b>100</b>	<b>2</b>	<b>2</b>	pA max
$R_{IN}$	Input Resistance		$>1$				Tera $\Omega$
CMRR	Common Mode Rejection Ratio	$0\text{V} \leq V_{CM} \leq 12.0\text{V}$ $V^+ = 15\text{V}$	83	70 <b>68</b>	70 <b>68</b>	63 <b>61</b>	dB min
+PSRR	Positive Power Supply Rejection Ratio	$5\text{V} \leq V^+ \leq 15\text{V}$	83	70 <b>68</b>	70 <b>68</b>	63 <b>61</b>	dB min
-PSRR	Negative Power Supply Rejection Ratio	$0\text{V} \leq V^- \leq -10\text{V}$	94	84 <b>82</b>	84 <b>83</b>	74 <b>73</b>	dB min
$V_{CM}$	Input Common Mode Voltage Range	$V^+ = 5\text{V}$ and $15\text{V}$ for CMRR $\geq 50\text{ dB}$	-0.4	-0.1 <b>0</b>	-0.1 <b>0</b>	-0.1 <b>0</b>	V max
			$V^+ - 1.9$	$V^+ - 2.3$ <b><math>V^+ - 2.6</math></b>	$V^+ - 2.3$ <b><math>V^+ - 2.5</math></b>	$V^+ - 2.3$ <b><math>V^+ - 2.5</math></b>	V min
$A_V$	Large Signal Voltage Gain	Sourcing $R_L = 100\text{ k}\Omega$ (Note 5)	1000	400 <b>250</b>	400 <b>300</b>	300 <b>200</b>	V/mV min
		Sinking $R_L = 100\text{ k}\Omega$ (Note 5)	500	180 <b>70</b>	180 <b>120</b>	90 <b>70</b>	V/mV min
		Sourcing $R_L = 5\text{ k}\Omega$ (Note 5)	1000	200 <b>150</b>	200 <b>160</b>	100 <b>80</b>	V/mV min
		Sinking $R_L = 5\text{ k}\Omega$ (Note 5)	250	100 <b>35</b>	100 <b>60</b>	50 <b>40</b>	V/mV min

## DC Electrical Characteristics (Continued)

The following specifications apply for  $V^+ = 5V$ ,  $V^- = 0V$ ,  $V_{CM} = 1.5V$ ,  $V_O = 2.5V$ , and  $R_L = 1M$  unless otherwise noted. **Bold-face** limits apply at the temperature extremes; all other limits  $T_J = 25^\circ C$ .

Symbol	Parameter	Conditions	Typ	LPC661AM Limit (Note 4)	LPC661AI Limit (Note 4)	LPC661I Limit (Note 4)	Units (Limit)
$V_O$	Output Swing	$V^+ = 5V$ $R_L = 100\text{ k}\Omega$ to 2.5V	4.987	4.970	4.970	4.940	V min
			0.004	0.030	0.030	0.060	V max
		$V^+ = 5V$ $R_L = 5\text{ k}\Omega$ to 2.5V	4.940	4.850	4.850	4.750	V min
			0.040	0.150	0.150	0.250	V max
		$V^+ = 15V$ $R_L = 100\text{ k}\Omega$ to 7.5V	14.970	14.920	14.920	14.880	V min
			0.007	0.030	0.030	0.060	V max
$V^+ = 15V$ $R_L = 5\text{ k}\Omega$ to 7.5V	14.840	14.680	14.680	14.580	V min		
	0.110	0.220	0.220	0.320	V max		
$I_O$	Output Current $V^+ = 5V$	Sourcing, $V_O = 0V$	22	16 <b>12</b>	16 <b>14</b>	13 <b>11</b>	mA min
		Sinking, $V_O = 5V$	21	16 <b>12</b>	16 <b>14</b>	13 <b>11</b>	mA min
$I_O$	Output Current $V^+ = 15V$	Sourcing, $V_O = 0V$	40	19 <b>19</b>	28 <b>25</b>	23 <b>20</b>	mA min
		Sinking, $V_O = 13V$ (Note 9)	39	19 <b>19</b>	28 <b>24</b>	23 <b>19</b>	mA min
$I_S$	Supply Current	$V^+ = 5V$ , $V_O = 1.5V$	55	60 <b>70</b>	60 <b>70</b>	70 <b>85</b>	$\mu A$ max
		$V^+ = 15V$ , $V_O = 1.5V$	58	75 <b>85</b>	75 <b>85</b>	90 <b>105</b>	$\mu A$ max

## AC Electrical Characteristics

The following specifications apply for  $V^+ = 5V$ ,  $V^- = 0V$ ,  $V_{CM} = 1.5V$ ,  $V_O = 2.5V$ , and  $R_L = 1M$  unless otherwise noted. **Bold-face** limits apply at the temperature extremes; all other limits  $T_J = 25^\circ C$ .

Symbol	Parameter	Conditions	Typ	LPC661AM Limit (Note 4)	LPC661AI Limit (Note 4)	LPC661I Limit (Note 4)	Units (Limit)
SR	Slew Rate	(Note 6)	0.11	0.07 <b>0.04</b>	0.07 <b>0.05</b>	0.05 <b>0.03</b>	V/ $\mu s$ min
GBW	Gain-Bandwidth Product		350				kHz
$\phi_m$	Phase Margin		50				Deg
$G_M$	Gain Margin		17				dB
$e_n$	Input Referred Voltage Noise	$F = 1\text{ kHz}$	42				nV/ $\sqrt{Hz}$
$i_n$	Input Referred Current Noise	$F = 1\text{ kHz}$	0.0002				pA/ $\sqrt{Hz}$
T.H.D.	Total Harmonic Distortion	$F = 1\text{ kHz}$ , $A_V = -10$ $R_L = 100\text{ k}\Omega$ , $V_O = 8 V_{PP}$ $V^+ = 15V$	0.01				%

## AC Electrical Characteristics (Continued)

**Note 1:** Absolute Maximum Ratings indicate limits beyond which damage to the device may occur. Operating Ratings indicate conditions for which the device is intended to be functional, but do not guarantee specific performance limits. For guaranteed specifications and test conditions, see the Electrical Characteristics. The guaranteed specifications apply only for the test conditions listed.

**Note 2:** Applies to both single supply and split supply operation. Continuous short circuit operation at elevated ambient temperature can result in exceeding the maximum allowed junction temperature of 150°C. Output currents in excess of ±30 mA over long term may adversely affect reliability.

**Note 3:** The maximum power dissipation is a function of  $T_{J(max)}$ ,  $\theta_{JA}$  and  $T_A$ . The maximum allowable power dissipation at any ambient temperature is  $P_D = (T_{J(max)} - T_A) / \theta_{JA}$ .

**Note 4:** Limits are guaranteed by testing or correlation.

**Note 5:**  $V_+ = 15V$ ,  $V_{CM} = 7.5V$  and  $R_L$  connected to 7.5V. For sourcing tests,  $7.5V \leq V_O \leq 11.5V$ . For sinking tests,  $2.5V \leq V_O \leq 7.5V$ .

**Note 6:**  $V_+ = 15V$ . Connected as Voltage Follower with 10V step input. Number specified is the slower of the positive and negative slew rates.

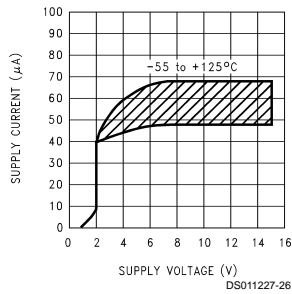
**Note 7:** For operating at elevated temperatures the device must be derated based on the thermal resistance  $\theta_{JA}$  with  $P_D = (T_J - T_A) / \theta_{JA}$ .

**Note 8:** All numbers apply for packages soldered directly into a PC board.

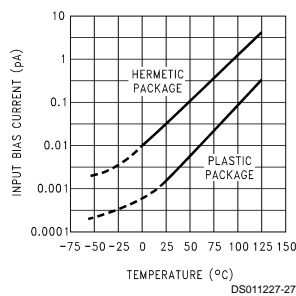
**Note 9:** Do not connect output to  $V^+$  when  $V^+$  is greater than 13V or reliability may be adversely affected.

## Typical Performance Characteristics $V_S = \pm 7.5V$ , $T_A = 25^\circ C$ unless otherwise specified

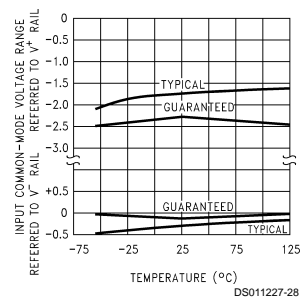
**Supply Current vs Supply Voltage**



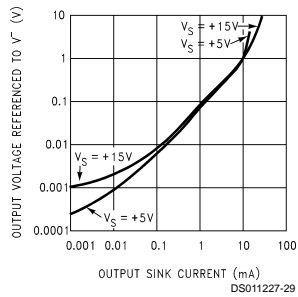
**Input Bias Current vs Temperature**



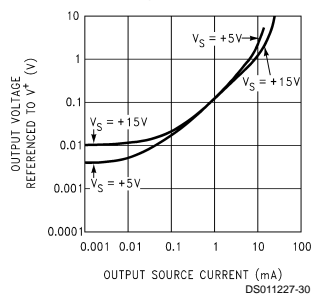
**Common-Mode Voltage Range vs Temperature**



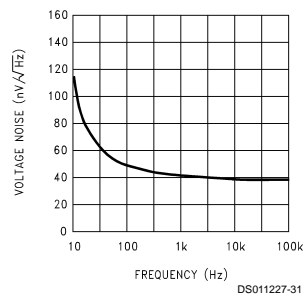
**Output Characteristics Current Sinking**



**Output Characteristics Current Sourcing**

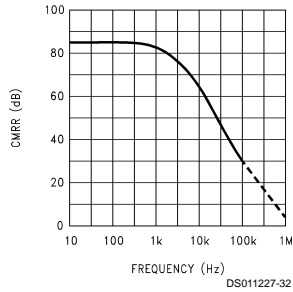


**Input Voltage Noise vs Frequency**

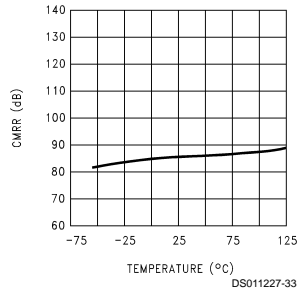


# Typical Performance Characteristics $V_S = \pm 7.5V$ , $T_A = 25^\circ C$ unless otherwise specified (Continued)

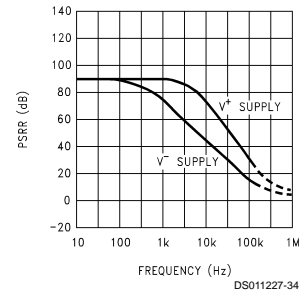
**CMRR vs Frequency**



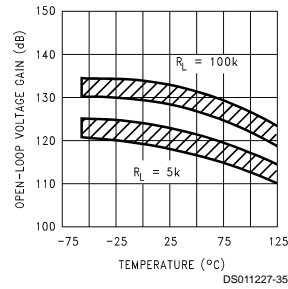
**CMRR vs Temperature**



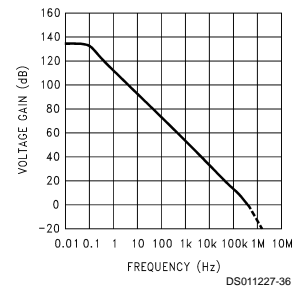
**Power Supply Rejection Ratio vs Frequency**



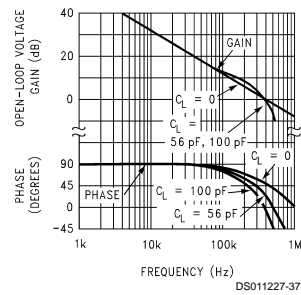
**Open-Loop Voltage Gain vs Temperature**



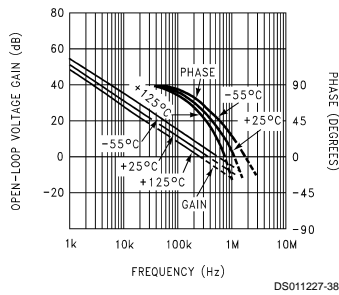
**Open-Loop Frequency Response**



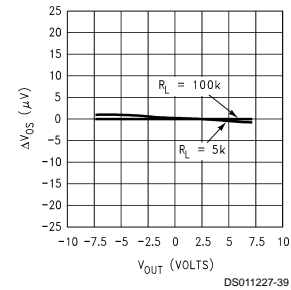
**Gain and Phase Responses vs Load Capacitance**



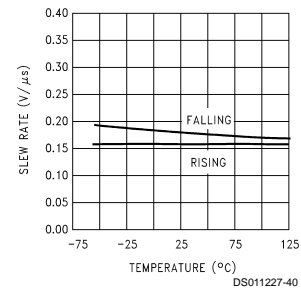
**Gain and Phase Responses vs Temperature**



**Gain Error ( $V_{OS}$  vs  $V_{OUT}$ )**

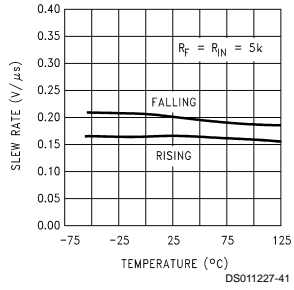


**Non-Inverting Slew Rate vs Temperature**

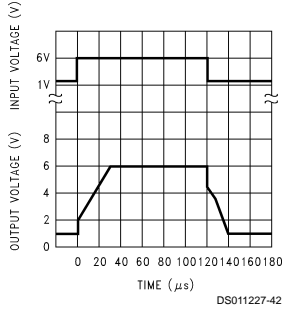


**Typical Performance Characteristics**  $V_S = \pm 7.5V$ ,  $T_A = 25^\circ C$  unless otherwise specified (Continued)

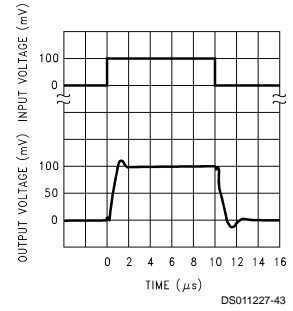
**Inverting Slew Rate vs Temperature**



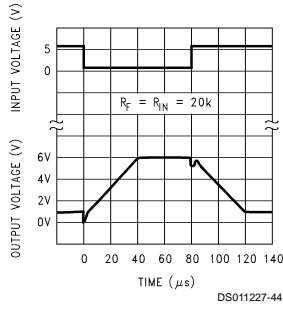
**Large-Signal Pulse Non-Inverting Response ( $A_V = +1$ )**



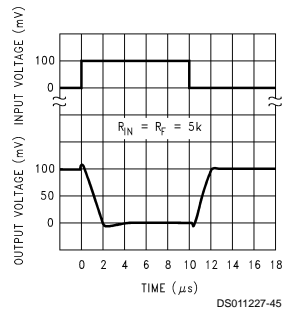
**Non-Inverting Small Signal Pulse Response ( $A_V = +1$ )**



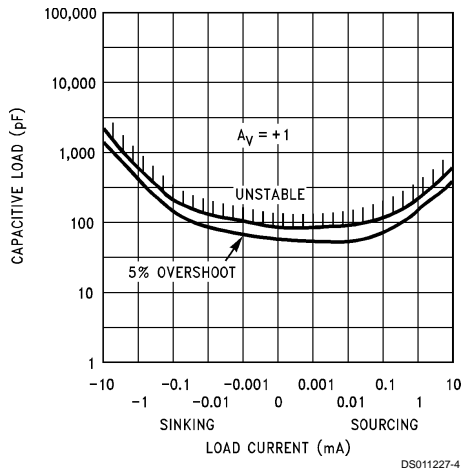
**Inverting Large-Signal Pulse Response**



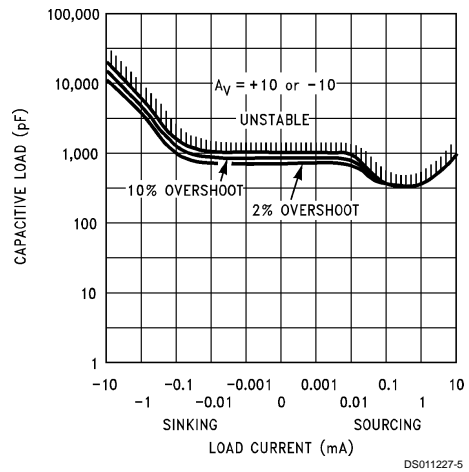
**Inverting Small-Signal Pulse Response**



**Stability vs Capacitive Load**



**Stability vs Capacitive Load**



**Note:** Avoid resistive loads of less than 500Ω, as they may cause instability.

## Application Hints

### AMPLIFIER TOPOLOGY

The topology chosen for the LPC661 is unconventional (compared to general-purpose op amps) in that the traditional unity-gain buffer output stage is not used; instead, the output is taken directly from the output of the integrator, to allow rail-to-rail output swing. Since the buffer traditionally delivers the power to the load, while maintaining high op amp gain and stability, and must withstand shorts to either rail, these tasks now fall to the integrator.

As a result of these demands, the integrator is a compound affair with an embedded gain stage that is doubly fed forward (via  $C_f$  and  $C_{ff}$ ) by a dedicated unity-gain compensation driver. In addition, the output portion of the integrator is a push-pull configuration for delivering heavy loads. While sinking current the whole amplifier path consists of three gain stages with one stage fed forward, whereas while sourcing the path contains four gain stages with two fed forward.

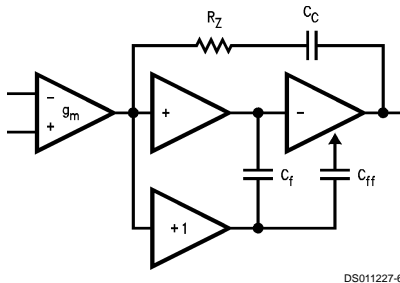


FIGURE 1. LPC661 Circuit Topology

The large signal voltage gain while sourcing is comparable to traditional bipolar op amps, for load resistance of at least 5 k $\Omega$ . The gain while sinking is higher than most CMOS op amps, due to the additional gain stage; however, when driving load resistance of 5 k $\Omega$  or less, the gain will be reduced as indicated in the Electrical Characteristics. The op amp can drive load resistance as low as 500 $\Omega$  without instability.

### COMPENSATING INPUT CAPACITANCE

Refer to the LMC660 or LMC662 datasheets to determine whether or not a feedback capacitor will be necessary for compensation and what the value of that capacitor would be.

### CAPACITIVE LOAD TOLERANCE

Like many other op amps, the LPC661 may oscillate when its applied load appears capacitive. The threshold of oscillation varies both with load and circuit gain. The configuration most sensitive to oscillation is a unity-gain follower. See the Typical Performance Characteristics.

The load capacitance interacts with the op amp's output resistance to create an additional pole. If this pole frequency is sufficiently low, it will degrade the op amp's phase margin so that the amplifier is no longer stable at low gains. The addition of a small resistor (50 $\Omega$  to 100 $\Omega$ ) in series with the op amp's output, and a capacitor (5 pF to 10 pF) from inverting input to output pins, returns the phase margin to a safe value without interfering with lower-frequency circuit operation. Thus, larger values of capacitance can be tolerated without oscillation. Note that in all cases, the output will ring heavily when the load capacitance is near the threshold for oscillation.

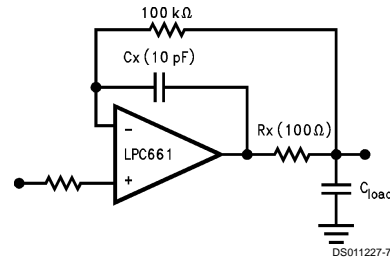


FIGURE 2. Rx, Cx Improve Capacitive Load Tolerance

Capacitive load driving capability is enhanced by using a pull up resistor to  $V^+$  (Figure 3). Typically a pull up resistor conducting 50  $\mu$ A or more will significantly improve capacitive load responses. The value of the pull up resistor must be determined based on the current sinking capability of the amplifier with respect to the desired output swing. Open loop gain of the amplifier can also be affected by the pull up resistor (see Electrical Characteristics).

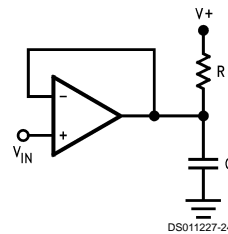


FIGURE 3. Compensating for Large Capacitive Loads with A Pull Up Resistor

### PRINTED-CIRCUIT-BOARD LAYOUT FOR HIGH-IMPEDANCE WORK

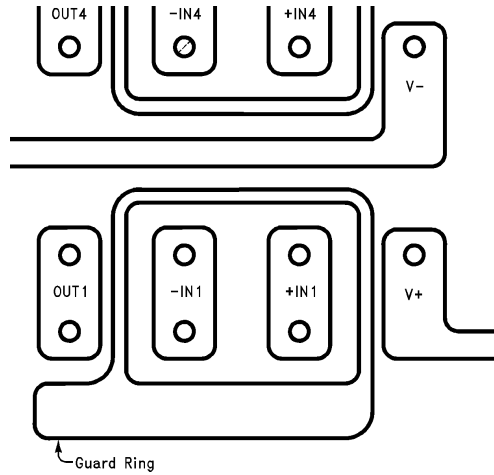
It is generally recognized that any circuit which must operate with less than 1000 pA of leakage current requires special layout of the PC board. When one wishes to take advantage of the ultra-low bias current of the LPC661, typically less than 0.04 pA, it is essential to have an excellent layout. Fortunately, the techniques for obtaining low leakages are quite simple. First, the user must not ignore the surface leakage of the PC board, even though it may sometimes appear acceptably low, because under conditions of high humidity or dust or contamination, the surface leakage will be appreciable.

To minimize the effect of any surface leakage, lay out a ring of foil completely surrounding the LPC661's inputs and the terminals of capacitors, diodes, conductors, resistors, relay terminals, etc. connected to the op-amp's inputs. See Figure 4. To have a significant effect, guard rings should be placed on both the top and bottom of the PC board. This PC foil must then be connected to a voltage which is at the same voltage as the amplifier inputs, since no leakage current can flow between two points at the same potential. For example, a PC board trace-to-pad resistance of  $10^{12}\Omega$ , which is normally considered a very large resistance, could leak 5 pA if the trace were a 5V bus adjacent to the pad of an input. This would cause a 100 times degradation from the LPC660's actual performance. However, if a guard ring is held within 5 mV of the inputs, then even a resistance of  $10^{11}\Omega$  would cause only 0.05 pA of leakage current, or perhaps a minor

**Application Hints** (Continued)

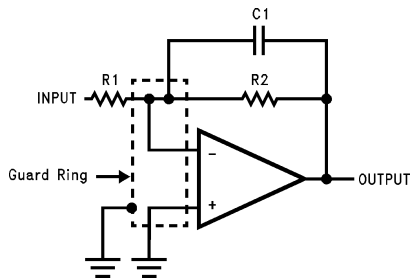
(2:1) degradation of the amplifier's performance. See *Figures 5, 6, 7* for typical connections of guard rings for stan-

dard op-amp configurations. If both inputs are active and at high impedance, the guard can be tied to ground and still provide some protection; see *Figure 8*.



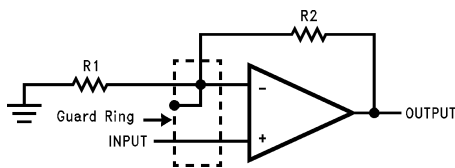
DS011227-8

**FIGURE 4.** Example of Guard Ring in P.C. Board Layout, Using the LPC660



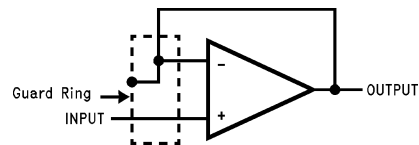
DS011227-9

**FIGURE 5.** Inverting Amplifier Guard Ring Connections



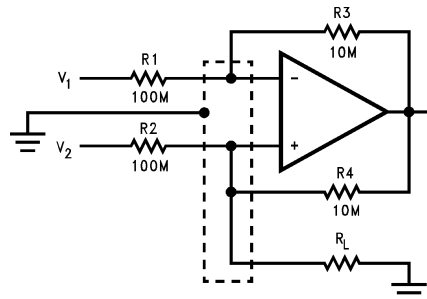
DS011227-10

**FIGURE 6.** Non-Inverting Amplifier Guard Ring Connections



DS011227-11

**FIGURE 7.** Follower Guard Ring Connections



DS011227-12

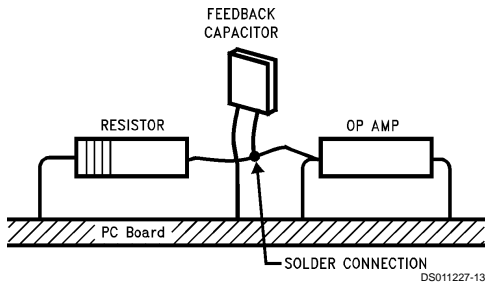
**FIGURE 8.** Howland Current Pump Guard Ring Connections

The designer should be aware that when it is inappropriate to lay out a PC board for the sake of just a few circuits, there is another technique which is even better than a guard ring on a PC board: Don't insert the amplifier's input pin into the board at all, but bend it up in the air and use only air as an insulator. Air is an excellent insulator. In this case you may have to forego some of the advantages of PC board con-



## Application Hints (Continued)

struction, but the advantages are sometimes well worth the effort of using point-to-point up-in-the-air wiring. See *Figure 9*.



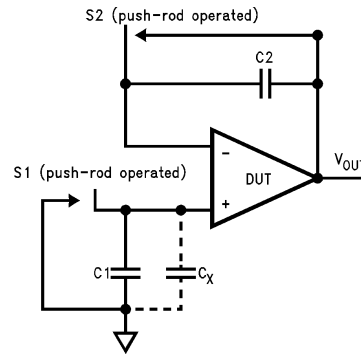
(Input pins are lifted out of PC board and soldered directly to components. All other pins connected to PC board.)

**FIGURE 9. Air Wiring**

### BIAS CURRENT TESTING

The test method of *Figure 10* is appropriate for bench-testing bias current with reasonable accuracy. To understand its operation, first close switch S2 momentarily. When S2 is opened, then

$$I^- = \frac{dV_{OUT}}{dt} \times C2.$$



**FIGURE 10. Simple Input Bias Current Test Circuit**

A suitable capacitor for C2 would be a 5 pF or 10 pF silver mica, NPO ceramic, or air-dielectric. When determining the magnitude of  $I^-$ , the leakage of the capacitor and socket must be taken into account. Switch S2 should be left shorted most of the time, or else the dielectric absorption of the capacitor C2 could cause errors.

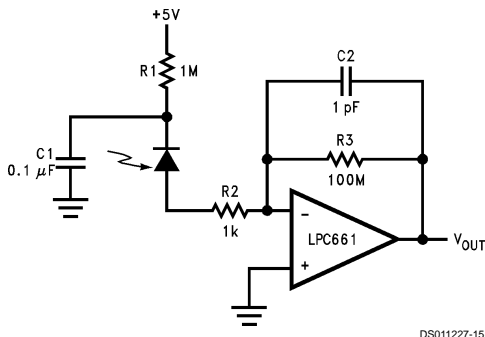
Similarly, if S1 is shorted momentarily (while leaving S2 shorted)

$$I^+ = \frac{dV_{OUT}}{dt} \times (C1 + C_x)$$

where  $C_x$  is the stray capacitance at the + input.

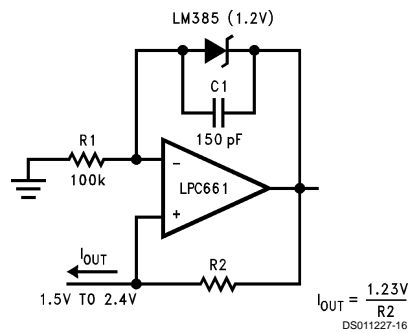
## Typical Single-Supply Applications ( $V_+ = 5.0 V_{DC}$ )

### Photodiode Current-to-Voltage Converter



**Note:** A 5V bias on the photodiode can cut its capacitance by a factor of 2 or 3, leading to improved response and lower noise. However, this bias on the photodiode will cause photodiode leakage (also known as its dark current).

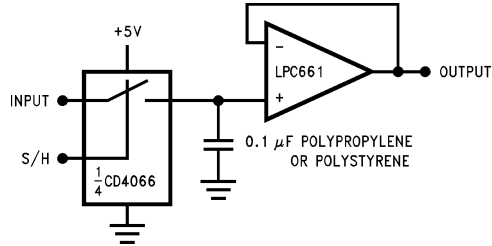
### Micropower Current Source



(Upper limit of output range dictated by input common-mode range; lower limit dictated by minimum current requirement of LM385.)

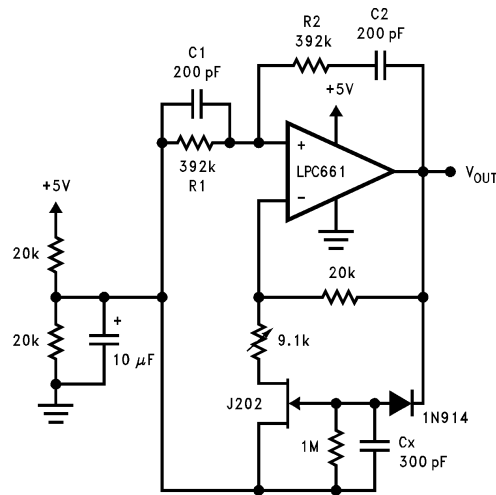
## Typical Single-Supply Applications (V+ = 5.0 V<sub>DC</sub>) (Continued)

### Low-Leakage Sample-and-Hold



DS011227-17

### Sine-Wave Oscillator



DS011227-18

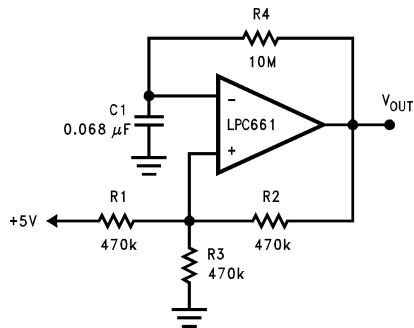
Oscillator frequency is determined by R1, R2, C1, and C2:

$$f_{osc} = 1/2\pi RC$$

where R = R1 = R2 and C = C1 = C2.

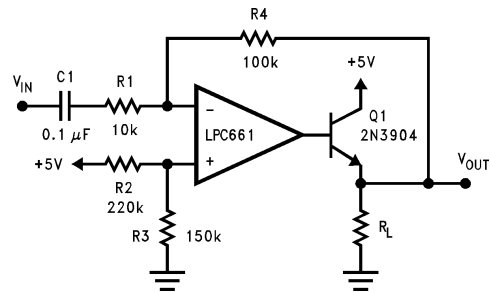
This circuit, as shown, oscillates at 2.0 kHz with a peak-to-peak output swing of 4.5V

### 1 Hz Square-Wave Oscillator



DS011227-19

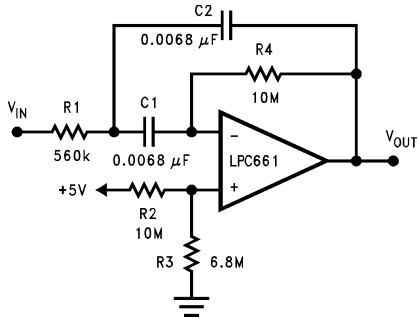
### Power Amplifier



DS011227-20

**Typical Single-Supply Applications** ( $V_+ = 5.0 V_{DC}$ ) (Continued)

**10 Hz Bandpass Filter**

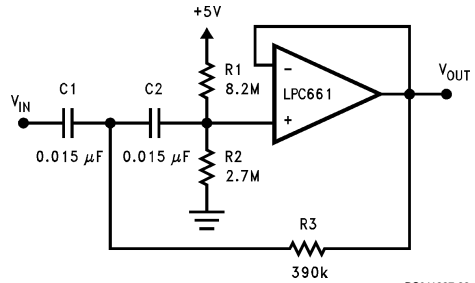


$f_0 = 10 \text{ Hz}$   
 $Q = 2.1$   
 Gain = 18.9 dB

DS011227-21

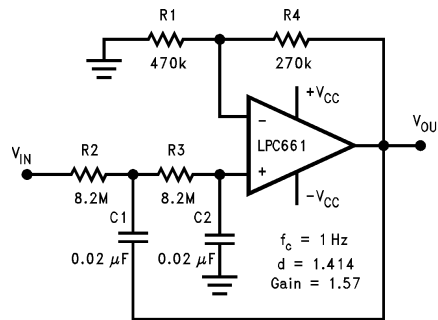
$f_c = 10 \text{ Hz}$   
 $d = 0.895$   
 Gain = 1

**10 Hz High-Pass Filter (2 dB Dip)**



DS011227-22

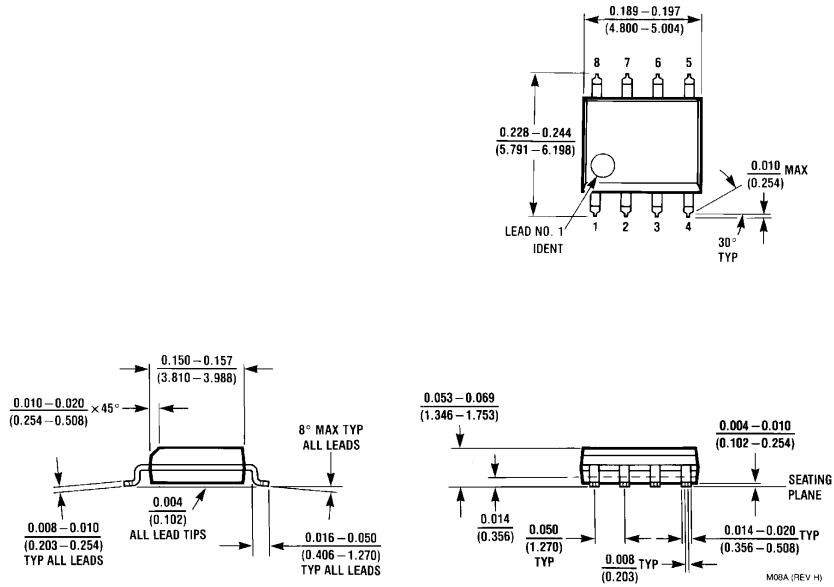
**1 Hz Low-Pass Filter  
 (Maximally Flat, Dual Supply Only)**



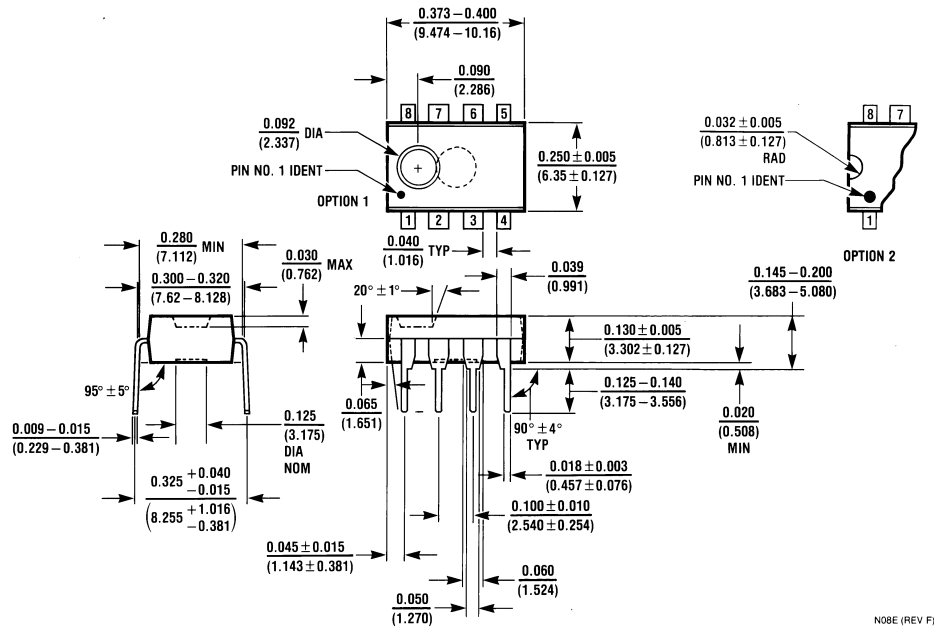
DS011227-23

$f_c = 1 \text{ Hz}$   
 $d = 1.414$   
 Gain = 1.57

**Physical Dimensions** inches (millimeters) unless otherwise noted



**8-Pin Small Outline Molded Package (M)**  
 Order Number LPC661AIM or LPC661IM  
 NS Package Number M08A



**8-Pin Molded Dual-In-Line Package (N)**  
 Order Number LPC661AIN, LPC661IN or LPC661AMN  
 NS Package Number N08E

## Notes

### LIFE SUPPORT POLICY

NATIONAL'S PRODUCTS ARE NOT AUTHORIZED FOR USE AS CRITICAL COMPONENTS IN LIFE SUPPORT DEVICES OR SYSTEMS WITHOUT THE EXPRESS WRITTEN APPROVAL OF THE PRESIDENT OF NATIONAL SEMICONDUCTOR CORPORATION. As used herein:

1. Life support devices or systems are devices or systems which, (a) are intended for surgical implant into the body, or (b) support or sustain life, and whose failure to perform when properly used in accordance with instructions for use provided in the labeling, can be reasonably expected to result in a significant injury to the user.
2. A critical component is any component of a life support device or system whose failure to perform can be reasonably expected to cause the failure of the life support device or system, or to affect its safety or effectiveness.



**National Semiconductor Corporation**  
Americas  
Tel: 1-800-272-9959  
Fax: 1-800-737-7018  
Email: support@nsc.com

www.national.com

**National Semiconductor Europe**  
Fax: +49 (0) 1 80-530 85 86  
Email: europe.support@nsc.com  
Deutsch Tel: +49 (0) 1 80-530 85 85  
English Tel: +49 (0) 1 80-532 78 32  
Français Tel: +49 (0) 1 80-532 93 58  
Italiano Tel: +49 (0) 1 80-534 16 80

**National Semiconductor Asia Pacific Customer Response Group**  
Tel: 65-2544466  
Fax: 65-2504466  
Email: sea.support@nsc.com

**National Semiconductor Japan Ltd.**  
Tel: 81-3-5639-7560  
Fax: 81-3-5639-7507