

MCP809/MCP810

3-Pin Microprocessor Reset Circuits

General Description

The MCP809/810 microprocessor supervisory circuits can be used to monitor the power supplies in microprocessor and digital systems. They provide a reset to the microprocessor during power-up, power-down and brown-out conditions.

The function of the MCP809/810 is to monitor the V_{CC} supply voltage, and assert a reset signal whenever this voltage declines below the factory-programmed reset threshold. The reset signal remains asserted for 240ms after V_{CC} rises above the threshold. The MCP809 has an active-low $\overline{\text{RESET}}$ output, while the MCP810 has an active-high RESET output.

Seven standard reset voltage options are available, suitable for monitoring 5V, 3.3V, and 3V supply voltages.

With a low supply current of only 15 μ A, the MCP809/810 are ideal for use in portable equipment. The MCP809/MCP810 are available in the 3-pin SOT23 package.

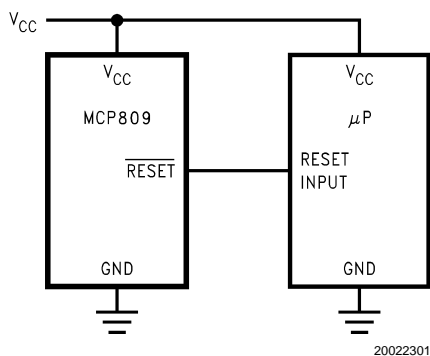
Features

- Precise monitoring of 3V, 3.3V, and 5V supply voltages
- Fully specified over temperature
- 140ms min. Power-On Reset pulse width, 240ms typical
 - Active-low $\overline{\text{RESET}}$ Output (MCP809)
 - Active-high RESET Output (MCP810)
- Guaranteed RESET Output valid for $V_{CC} \geq 1V$
- Low Supply Current, 15 μ A typ.
- Power supply transient immunity

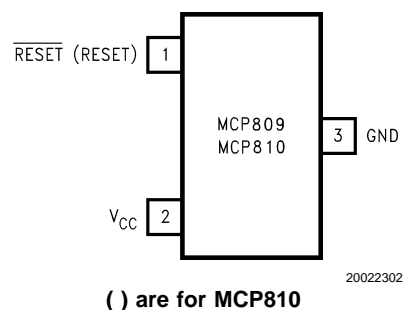
Applications

- Microprocessor Systems
- Computers
- Controllers
- Intelligent Instruments
- Portable/Battery-Powered Equipment
- Automotive

Typical Application Circuit



Connection Diagram



Ordering Information

Reset Threshold (V)	MCP809 Supplied as 1000 units, tape & reel	MCP809 Supplied as 3000 units, tape & reel	Package Top Mark	Package Type	NSC Package
4.63	MCP809M3-4.63	MCP809M3X-4.63	SVB	SOT23-3	MF03A
4.38	MCP809M3-4.38	MCP809M3X-4.38	SUB		
4.00	MCP809M3-4.00	MCP809M3X-4.00	STB		
3.08	MCP809M3-3.08	MCP809M3X-3.08	SSB		
2.93	MCP809M3-2.93	MCP809M3X-2.93	SRB		
2.63	MCP809M3-2.63	MCP809M3X-2.63	SPB		
Reset Threshold (V)	MCP810 Supplied as 1000 units, tape & reel	MCP810 Supplied as 3000 units, tape & reel	Package Top Mark	Package Type	NSC Package
4.63	MCP810M3-4.63	MCP810M3X-4.63	SNB	SOT23-3	MF03A
4.38	MCP810M3-4.38	MCP810M3X-4.38	SLB		
4.00	MCP810M3-4.00	MCP810M3X-4.00	SKB		
3.08	MCP810M3-3.08	MCP810M3X-3.08	SJB		
2.93	MCP810M3-2.93	MCP810M3X-2.93	SHB		
2.63	MCP810M3-2.63	MCP810M3X-2.63	SGB		

Custom voltages and improved accuracies are available, subject to minimum orders. Contact your local National Semiconductor Sales Office for information.

Pin Description

PIN	NAME	FUNCTION
3	GND	Ground reference
1	$\overline{\text{RESET}}$ (MCP809)	Active-low output. $\overline{\text{RESET}}$ remains low while V_{CC} is below the reset threshold, and for 240ms after V_{CC} rises above the reset threshold.
	RESET (MCP810)	Active-high output. RESET remains high while V_{CC} is below the reset threshold, and for 240ms after V_{CC} rises above the reset threshold.
2	V_{CC}	Supply Voltage (+5V, +3.3V, or +3.0V)

Absolute Maximum Ratings (Note 1)

If Military/Aerospace specified devices are required, please contact the National Semiconductor Sales Office/Distributors for availability and specifications.

V_{CC}	-0.3V to 6.0V
RESET, $\overline{\text{RESET}}$	-0.3V to ($V_{CC} + 0.3V$)
Input Current, V_{CC} Pin	20mA
Output Current, RESET, $\overline{\text{RESET}}$ Pin	20mA
Rate of Rise, V_{CC}	100V/ μ s

ESD Rating (Note 2)	2kV
Continuous Power Dissipation ($T_A = +70^\circ\text{C}$)	
SOT-23 (Note 3)	320mW
Ambient Temperature Range	-40°C to $+105^\circ\text{C}$
Maximum Junction Temperature	125°C
Storage Temperature Range	-65°C to $+160^\circ\text{C}$
Lead Temperature (soldering, 10sec)	$+300^\circ\text{C}$

Electrical Characteristics

V_{CC} = full range, $T_A = -40^\circ\text{C}$ to $+105^\circ\text{C}$, unless otherwise noted. Typical values are at $T_A = +25^\circ\text{C}$, $V_{CC} = 5V$ for 4.63/4.38/4.00 versions, $V_{CC} = 3.3V$ for 3.08/2.93 versions, and $V_{CC} = 3V$ for 2.63 version. (Note 4)

Symbol	Parameter	Conditions	Min	Typ	Max	Units			
	V_{CC} Range	$T_A = 0^\circ\text{C}$ to $+70^\circ\text{C}$	1.0		5.5	V			
		$T_A = -40^\circ\text{C}$ to $+105^\circ\text{C}$	1.2		5.5				
I_{CC}	Supply Current	$T_A = -40^\circ\text{C}$ to $+85^\circ\text{C}$	$V_{CC} < 5.5V$, MCP8_ _ -4.63/4.38/4.00	18	60	μA			
			$V_{CC} < 3.6V$, MCP8_ _ -3.08/2.93/2.63	15	50				
		$T_A = +85^\circ\text{C}$ to $+105^\circ\text{C}$	$V_{CC} < 5.5V$, MCP8_ _ -4.63/4.38/4.00		100				
			$V_{CC} < 3.6V$, MCP8_ _ -3.08/2.93/2.63		100				
V_{TH}	Reset Threshold (Note 5)	MCP8_ _ -4.63	$T_A = +25^\circ\text{C}$	4.56	4.63	4.70	V		
			$T_A = -40^\circ\text{C}$ to $+85^\circ\text{C}$	4.50		4.75			
			$T_A = +85^\circ\text{C}$ to $+105^\circ\text{C}$	4.40		4.86			
		MCP8_ _ -4.38	$T_A = +25^\circ\text{C}$	4.31	4.38	4.45			
			$T_A = -40^\circ\text{C}$ to $+85^\circ\text{C}$	4.25		4.50			
			$T_A = +85^\circ\text{C}$ to $+105^\circ\text{C}$	4.16		4.56			
		MCP8_ _ -4.00	$T_A = +25^\circ\text{C}$	3.93	4.00	4.06			
			$T_A = -40^\circ\text{C}$ to $+85^\circ\text{C}$	3.89		4.10			
			$T_A = +85^\circ\text{C}$ to $+105^\circ\text{C}$	3.80		4.20			
		MCP8_ _ -3.08	$T_A = +25^\circ\text{C}$	3.04	3.08	3.11			
			$T_A = -40^\circ\text{C}$ to $+85^\circ\text{C}$	3.00		3.15			
			$T_A = +85^\circ\text{C}$ to $+105^\circ\text{C}$	2.92		3.23			
		MCP8_ _ -2.93	$T_A = +25^\circ\text{C}$	2.89	2.93	2.96			
			$T_A = -40^\circ\text{C}$ to $+85^\circ\text{C}$	2.85		3.00			
			$T_A = +85^\circ\text{C}$ to $+105^\circ\text{C}$	2.78		3.08			
		MCP8_ _ -2.63	$T_A = +25^\circ\text{C}$	2.59	2.63	2.66			
			$T_A = -40^\circ\text{C}$ to $+85^\circ\text{C}$	2.55		2.70			
			$T_A = +85^\circ\text{C}$ to $+105^\circ\text{C}$	2.50		2.76			
			Reset Threshold Temperature Coefficient			30			ppm/ $^\circ\text{C}$
			V_{CC} to Reset Delay (Note 5)	$V_{CC} = V_{TH}$ to ($V_{TH} - 100\text{mV}$)		20			μs
			Reset Active Timeout Period	$T_A = -40^\circ\text{C}$ to $+85^\circ\text{C}$	140	240		560	ms
				$T_A = +85^\circ\text{C}$ to $+105^\circ\text{C}$	100			840	

Electrical Characteristics (Continued)

V_{CC} = full range, T_A = -40°C to $+105^{\circ}\text{C}$, unless otherwise noted. Typical values are at T_A = $+25^{\circ}\text{C}$, V_{CC} = 5V for 4.63/4.38/4.00 versions, V_{CC} = 3.3V for 3.08/2.93 versions, and V_{CC} = 3V for 2.63 version. (Note 4)

Symbol	Parameter	Conditions	Min	Typ	Max	Units
V_{OL}	$\overline{\text{RESET}}$ Output Voltage Low (MCP809)	$V_{CC} = V_{TH \text{ min}}$, $I_{SINK} = 1.2\text{mA}$, MCP809-2.63/2.93/3.08			0.3	V
		$V_{CC} = V_{TH \text{ min}}$, $I_{SINK} = 3.2\text{mA}$, MCP809-4.63/4.38/4.00			0.4	
		$V_{CC} > 1.0\text{V}$, $I_{SINK} = 50\mu\text{A}$			0.3	
V_{OH}	$\overline{\text{RESET}}$ Output Voltage High (MCP809)	$V_{CC} > V_{TH \text{ max}}$, $I_{SOURCE} = 500\mu\text{A}$, MCP809-2.63/2.93/3.08	$0.8V_{CC}$			V
		$V_{CC} > V_{TH \text{ max}}$, $I_{SOURCE} = 800\mu\text{A}$, MCP809-4.63/4.38/4.00	$V_{CC}-1.5$			
V_{OL}	RESET Output Voltage Low (MCP810)	$V_{CC} = V_{TH \text{ max}}$, $I_{SINK} = 1.2\text{mA}$, MCP810-2.63/2.93/3.08			0.3	V
		$V_{CC} = V_{TH \text{ max}}$, $I_{SINK} = 3.2\text{mA}$, MCP810-4.63/4.38/4.00			0.4	
V_{OH}	RESET Output Voltage High (MCP810)	$1.8\text{V} < V_{CC} < V_{TH \text{ min}}$, $I_{SOURCE} = 150\mu\text{A}$	$0.8V_{CC}$			V

Note 1: Absolute Maximum Ratings are limits beyond which damage to the device may occur. Operating Ratings are conditions under which the device operates correctly. Operating ratings do not imply guaranteed performance limits. For guaranteed performance limits and associated test conditions, see the Electrical Characteristics.

Note 2: The human body model is a 100pF capacitor discharged through a 1.5k Ω resistor into each pin.

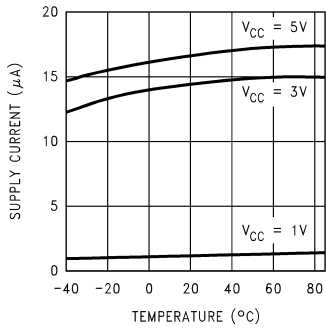
Note 3: Production testing done at T_A = $+25^{\circ}\text{C}$, over temperature limits guaranteed by design only.

Note 4: At elevated temperatures, devices must be derated based on package thermal resistance. The device in the SOT23-3 package must be derated at 4mW/ $^{\circ}\text{C}$ at ambient temperatures above 70 $^{\circ}\text{C}$. The device has internal thermal protection.

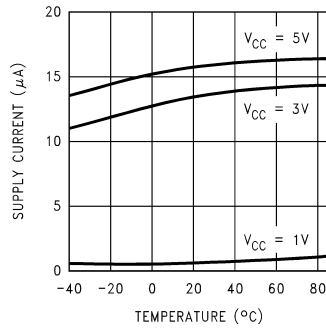
Note 5: $\overline{\text{RESET}}$ Output for MCP809, RESET output for MCP810.

Typical Performance Characteristics

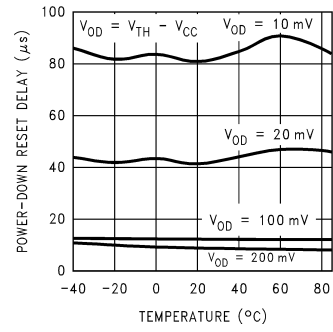
**Supply Current vs Temperature
(No Load, MCP8_ _-2.63/2.93/3.08)**



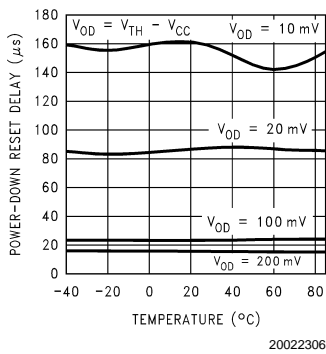
**Supply Current vs Temperature
(No Load, MCP8_ _-4.63/4.38)**



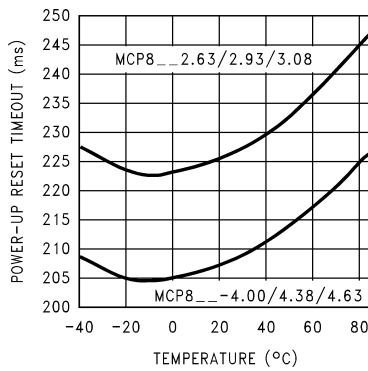
**Power-Down Reset Delay vs Temp
(MCP8_ _-2.63/2.93/3.08)**



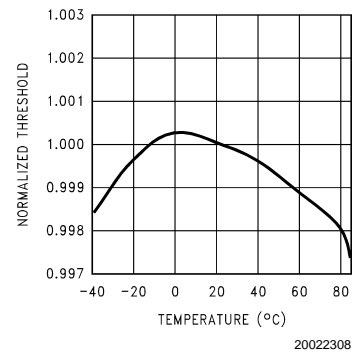
Power-Down Reset Delay vs Temperature (MCP8_ _-4.63/4.38)



Power-Up Reset Timeout vs Temperature



Normalized Reset Threshold vs Temperature



Applications Information

Benefits of Precision Reset Thresholds

A microprocessor supply supervisor must provide a reset output within a predictable range of the supply voltage. A common threshold range is between 5% and 10% below the nominal supply voltage. The 4.63V and 3.08V options of the MCP809/810 use highly accurate circuitry to ensure that the reset threshold occurs only within this range (for 5V and 3.3V supplies). The other voltage options have the same tight tolerance to ensure a reset signal for other narrow monitor ranges. See *Table 1* for examples of how the standard reset thresholds apply to 3V, 3.3V, and 5V nominal supply voltages.

TABLE 1. Reset Thresholds Related to Common Supply Voltages

Reset Threshold	3.0V	3.3V	5.0V
4.63 ± 3%			90 - 95%
4.38 ± 3%			85 - 90%
4.00 ± 3%			78 - 82%
3.08 ± 3%		90 - 95%	
2.93 ± 3%		86 - 90%	
2.63 ± 3%	85 - 90%	77 - 81%	

Ensuring a Valid Reset Output Down to $V_{CC} = 0V$

When V_{CC} falls below 1V, the MCP809 \overline{RESET} output no longer sinks current. A high-impedance CMOS logic input connected to \overline{RESET} can therefore drift to undetermined voltages. To prevent this situation, a 100k Ω resistor should be connected from the \overline{RESET} output to ground, as shown in *Figure 1*.

A 100k Ω pull-up resistor to V_{CC} is also recommended for the MCP810, if \overline{RESET} is required to remain valid for $V_{CC} < 1V$.

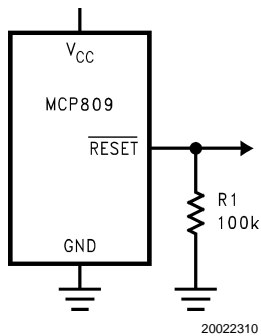


FIGURE 1. \overline{RESET} Valid to $V_{CC} = \text{Ground}$ Circuit

Negative-Going V_{CC} Transients

The MCP809/810 are relatively immune to short negative-going transients or glitches on V_{CC} . *Figure 2* shows the maximum pulse width a negative-going V_{CC} transient

can have without causing a reset pulse. In general, as the magnitude of the transient increases, going further below the threshold, the maximum allowable pulse width decreases. Typically, for the 4.63V and 4.38V version of the MCP809/810, a V_{CC} transient that goes 100mV below the reset threshold and lasts 20 μs or less will not cause a reset pulse. A 0.1 μF bypass capacitor mounted as close as possible to the V_{CC} pin will provide additional transient rejection.

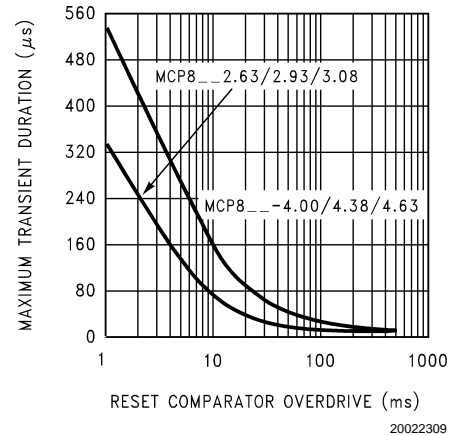


FIGURE 2. Maximum Transient Duration without Causing a Reset Pulse vs. Reset Comparator Overdrive

Interfacing to μPs with Bidirectional Reset Pins

Microprocessors with bidirectional reset pins, such as the Motorola 68HC11 series, can be connected to the MCP809 \overline{RESET} output. To ensure a correct output on the MCP809 even when the microprocessor reset pin is in the opposite state, connect a 4.7k Ω resistor between the MCP809 \overline{RESET} output and the μP reset pin, as shown in *Figure 3*. Buffer the MCP809 \overline{RESET} output to other system components.

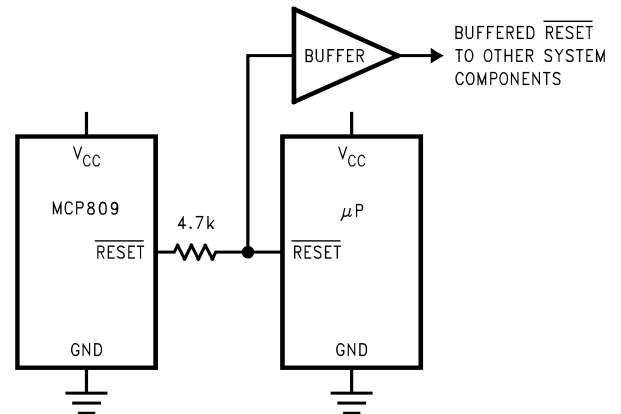
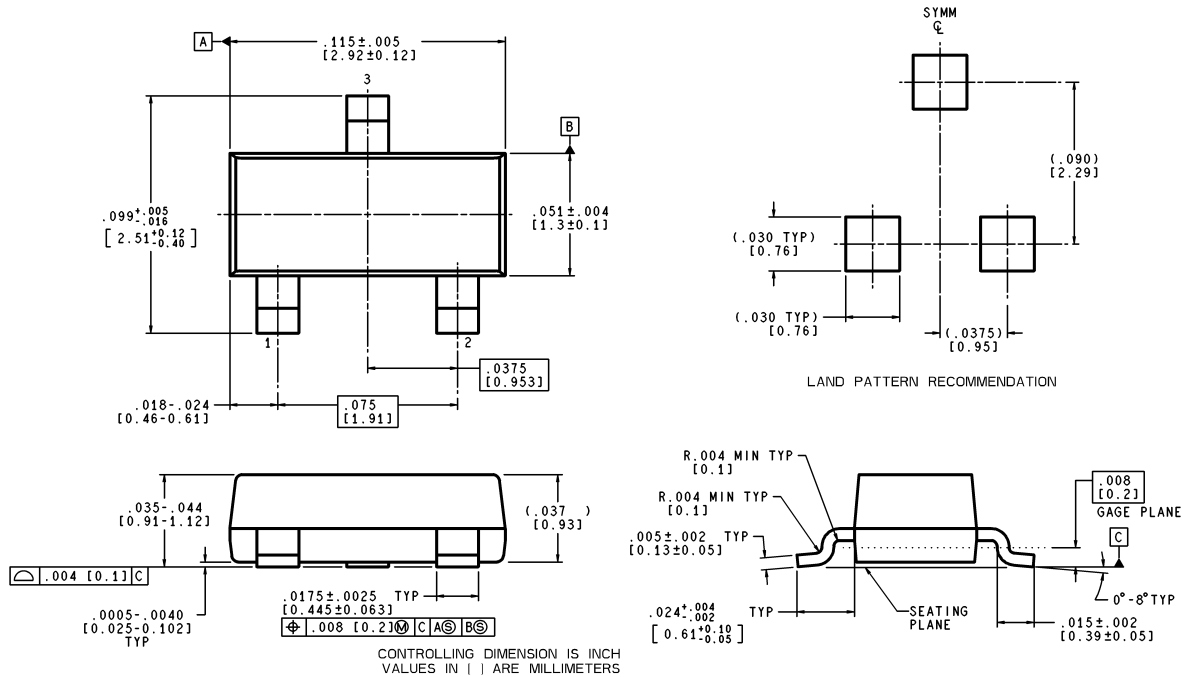


FIGURE 3. Interfacing to Microprocessors with Bidirectional Reset I/O

Physical Dimensions inches (millimeters)

unless otherwise noted



3-Lead SOT23-3
For Ordering, refer to Ordering Information table
NS Package Number MF03A

MF03A (Rev A)

LIFE SUPPORT POLICY

NATIONAL'S PRODUCTS ARE NOT AUTHORIZED FOR USE AS CRITICAL COMPONENTS IN LIFE SUPPORT DEVICES OR SYSTEMS WITHOUT THE EXPRESS WRITTEN APPROVAL OF THE PRESIDENT AND GENERAL COUNSEL OF NATIONAL SEMICONDUCTOR CORPORATION. As used herein:

1. Life support devices or systems are devices or systems which, (a) are intended for surgical implant into the body, or (b) support or sustain life, and whose failure to perform when properly used in accordance with instructions for use provided in the labeling, can be reasonably expected to result in a significant injury to the user.
2. A critical component is any component of a life support device or system whose failure to perform can be reasonably expected to cause the failure of the life support device or system, or to affect its safety or effectiveness.



National Semiconductor Corporation
Americas
Email: support@nsc.com

National Semiconductor Europe
Fax: +49 (0) 180-530 85 86
Email: europe.support@nsc.com
Deutsch Tel: +49 (0) 69 9508 6208
English Tel: +44 (0) 870 24 0 2171
Français Tel: +33 (0) 1 41 91 8790

National Semiconductor Asia Pacific Customer Response Group
Tel: 65-2544466
Fax: 65-2504466
Email: ap.support@nsc.com

National Semiconductor Japan Ltd.
Tel: 81-3-5639-7560
Fax: 81-3-5639-7507

www.national.com