

TL082 Wide Bandwidth Dual JFET Input Operational Amplifier

General Description

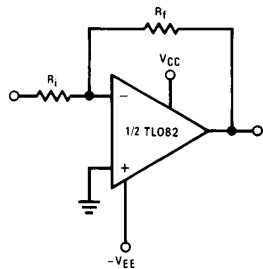
These devices are low cost, high speed, dual JFET input operational amplifiers with an internally trimmed input offset voltage (BI-FET II™ technology). They require low supply current yet maintain a large gain bandwidth product and fast slew rate. In addition, well matched high voltage JFET input devices provide very low input bias and offset currents. The TL082 is pin compatible with the standard LM1558 allowing designers to immediately upgrade the overall performance of existing LM1558 and most LM358 designs.

These amplifiers may be used in applications such as high speed integrators, fast D/A converters, sample and hold circuits and many other circuits requiring low input offset voltage, low input bias current, high input impedance, high slew rate and wide bandwidth. The devices also exhibit low noise and offset voltage drift.

Features

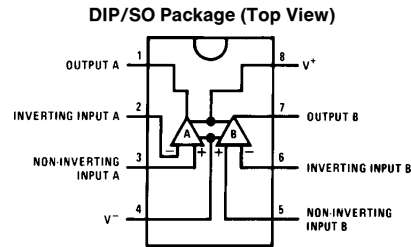
- Internally trimmed offset voltage 15 mV
- Low input bias current 50 pA
- Low input noise voltage 16nV/√ Hz
- Low input noise current 0.01 pA/√ Hz
- Wide gain bandwidth 4 MHz
- High slew rate 13 V/μs
- Low supply current 3.6 mA
- High input impedance 10¹²Ω
- Low total harmonic distortion $A_V = 10$, $R_L = 10k$, $V_O = 20 V_p - p$, $BW = 20 \text{ Hz} - 20 \text{ kHz}$ <0.02%
- Low 1/f noise corner 50 Hz
- Fast settling time to 0.01% 2 μs

Typical Connection



TL/H/8357-1

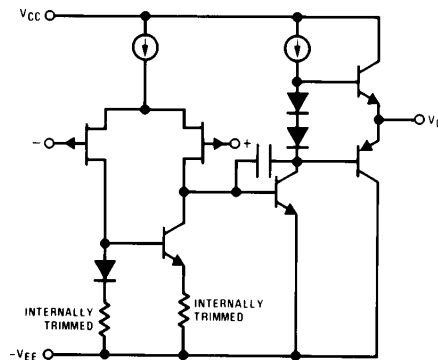
Connection Diagram



TL/H/8357-3

Order Number TL082CM or TL082CP
See NS Package Number M08A or N08E

Simplified Schematic



TL/H/8357-2

BI-FET II™ is a trademark of National Semiconductor Corp.

Absolute Maximum Ratings

If Military/Aerospace specified devices are required, please contact the National Semiconductor Sales Office/Distributors for availability and specifications.

Supply Voltage	±18V
Power Dissipation	(Note 1)
Operating Temperature Range	0°C to +70°C
T _{J(MAX)}	150°C

Differential Input Voltage	±30V
Input Voltage Range (Note 2)	±15V
Output Short Circuit Duration	Continuous
Storage Temperature Range	-65°C to +150°C
Lead Temp. (Soldering, 10 seconds)	260°C
ESD rating to be determined.	

DC Electrical Characteristics (Note 4)

Symbol	Parameter	Conditions	TL082C			Units
			Min	Typ	Max	
V _{OS}	Input Offset Voltage	R _S = 10 kΩ, T _A = 25°C Over Temperature		5	15 20	mV mV
ΔV _{OS} /ΔT	Average TC of Input Offset Voltage	R _S = 10 kΩ		10		μV/°C
I _{OS}	Input Offset Current	T _J = 25°C, (Notes 4, 5) T _J ≤ 70°C		25	200 4	pA nA
I _B	Input Bias Current	T _J = 25°C, (Notes 4, 5) T _J ≤ 70°C		50	400 8	pA nA
R _{IN}	Input Resistance	T _J = 25°C		10 ¹²		Ω
A _{VOL}	Large Signal Voltage Gain	V _S = ±15V, T _A = 25°C V _O = ±10V, R _L = 2 kΩ Over Temperature	25 15	100		V/mV V/mV
V _O	Output Voltage Swing	V _S = ±15V, R _L = 10 kΩ	±12	±13.5		V
V _{CM}	Input Common-Mode Voltage Range	V _S = ±15V	±11	+15 -12		V V
CMRR	Common-Mode Rejection Ratio	R _S ≤ 10 kΩ	70	100		dB
PSRR	Supply Voltage Rejection Ratio	(Note 6)	70	100		dB
I _S	Supply Current			3.6	5.6	mA

AC Electrical Characteristics (Note 4)

Symbol	Parameter	Conditions	TL082C			Units
			Min	Typ	Max	
	Amplifier to Amplifier Coupling	T _A = 25°C, f = 1Hz- 20 kHz (Input Referred)		-120		dB
SR	Slew Rate	V _S = ±15V, T _A = 25°C	8	13		V/μs
GBW	Gain Bandwidth Product	V _S = ±15V, T _A = 25°C		4		MHz
e _n	Equivalent Input Noise Voltage	T _A = 25°C, R _S = 100Ω, f = 1000 Hz		25		nV/√Hz
i _n	Equivalent Input Noise Current	T _J = 25°C, f = 1000 Hz		0.01		pA/√Hz

Note 1: For operating at elevated temperature, the device must be derated based on a thermal resistance of 115°C/W junction to ambient for the N package.

Note 2: Unless otherwise specified the absolute maximum negative input voltage is equal to the negative power supply voltage.

Note 3: The power dissipation limit, however, cannot be exceeded.

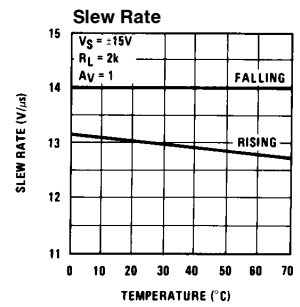
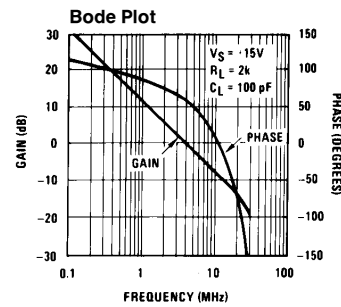
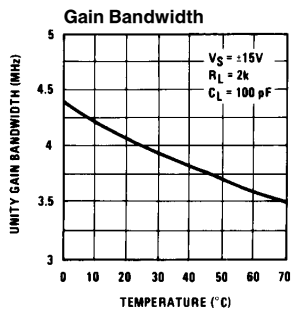
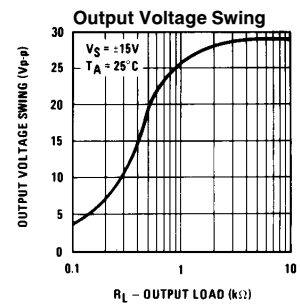
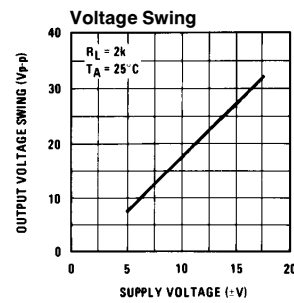
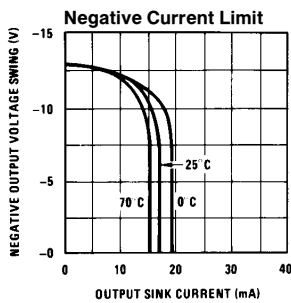
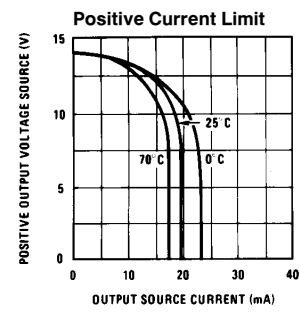
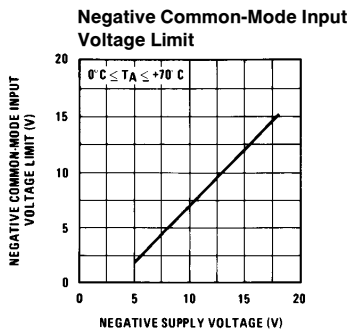
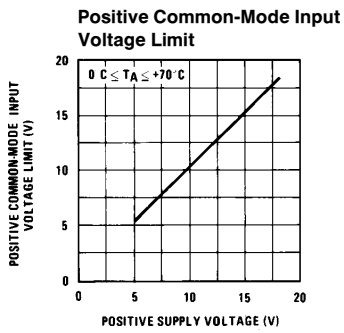
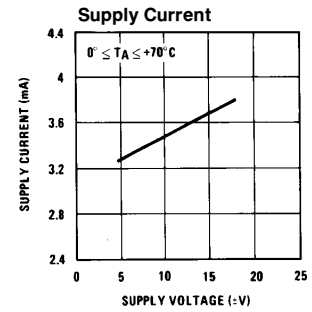
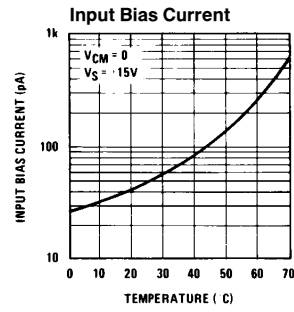
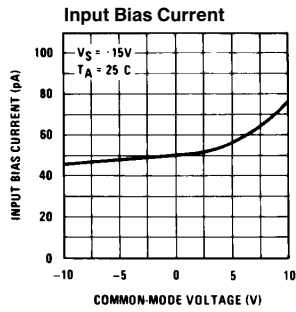
Note 4: These specifications apply for V_S = ±15V and 0°C ≤ T_A ≤ +70°C. V_{OS}, I_B and I_{OS} are measured at V_{CM} = 0.

Note 5: The input bias currents are junction leakage currents which approximately double for every 10°C increase in the junction temperature, T_J. Due to the limited production test time, the input bias currents measured are correlated to junction temperature. In normal operation the junction temperature rises above the ambient temperature as a result of internal power dissipation, P_D. T_J = T_A + θ_{JA} P_D where θ_{JA} is the thermal resistance from junction to ambient. Use of a heat sink is recommended if input bias current is to be kept to a minimum.

Note 6: Supply voltage rejection ratio is measured for both supply magnitudes increasing or decreasing simultaneously in accordance with common practice.

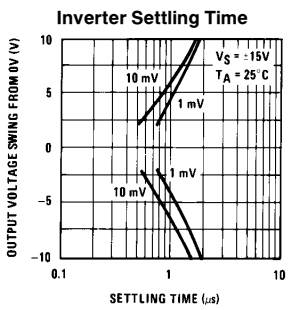
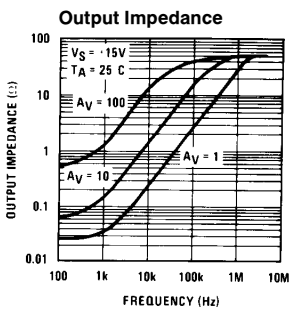
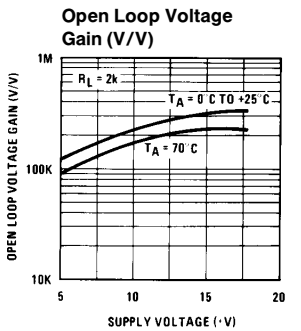
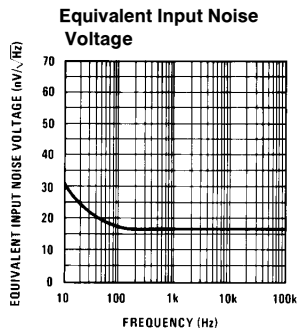
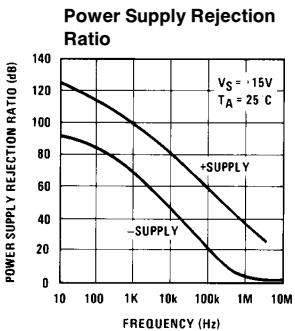
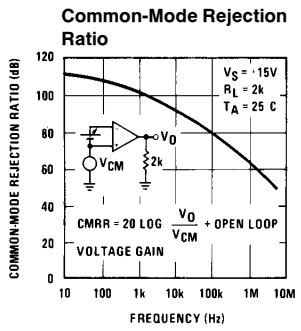
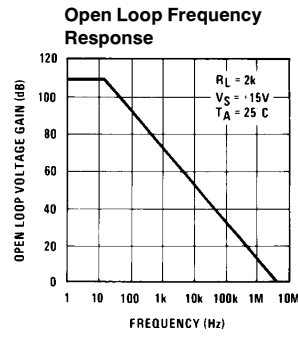
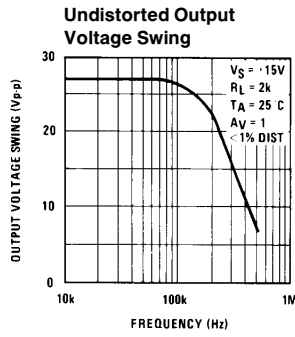
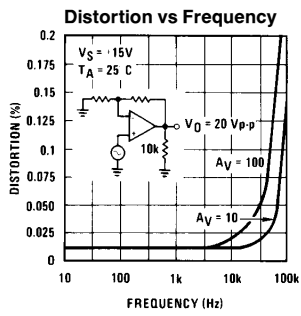
V_S = ±6V to ±15V.

Typical Performance Characteristics



TL/H/8357-4

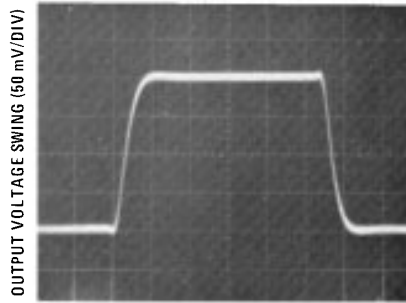
Typical Performance Characteristics (Continued)



TL/H/8357-5

Pulse Response

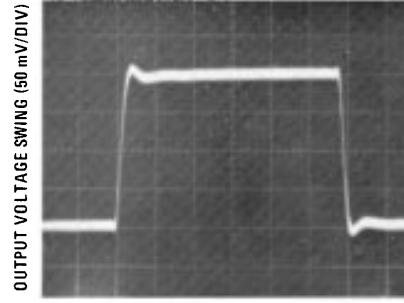
Small Signal Inverting



TIME (0.2 μ s/DIV)

TL/H/8357-6

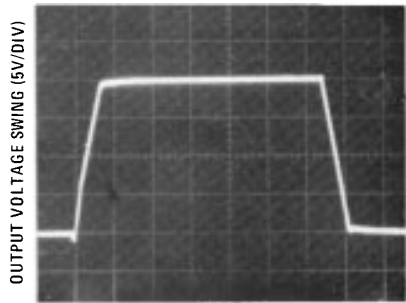
Small Signal Non-Inverting



TIME (0.2 μ s/DIV)

TL/H/8357-7

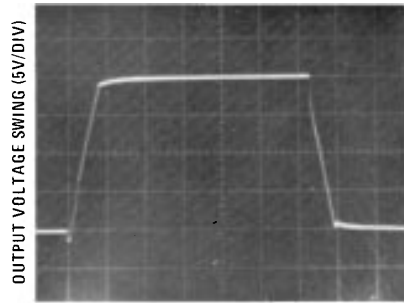
Large Signal Inverting



TIME (2 μ s/DIV)

TL/H/8357-8

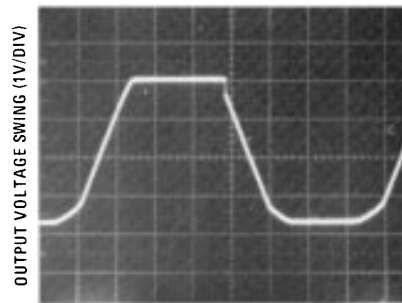
Large Signal Non-Inverting



TIME (2 μ s/DIV)

TL/H/8357-9

Current Limit ($R_L = 100\Omega$)



TIME (5 μ s/DIV)

TL/H/8357-10

Application Hints

These devices are op amps with an internally trimmed input offset voltage and JFET input devices (BI-FET II). These JFETs have large reverse breakdown voltages from gate to source and drain eliminating the need for clamps across the inputs. Therefore, large differential input voltages can easily be accommodated without a large increase in input current. The maximum differential input voltage is independent of the supply voltages. However, neither of the input voltages

should be allowed to exceed the negative supply as this will cause large currents to flow which can result in a destroyed unit.

Exceeding the negative common-mode limit on either input will cause a reversal of the phase to the output and force the amplifier output to the corresponding high or low state. Exceeding the negative common-mode limit on both inputs will force the amplifier output to a high state. In neither case

Application Hints (Continued)

does a latch occur since raising the input back within the common-mode range again puts the input stage and thus the amplifier in a normal operating mode.

Exceeding the positive common-mode limit on a single input will not change the phase of the output; however, if both inputs exceed the limit, the output of the amplifier will be forced to a high state.

The amplifiers will operate with a common-mode input voltage equal to the positive supply; however, the gain bandwidth and slew rate may be decreased in this condition. When the negative common-mode voltage swings to within 3V of the negative supply, an increase in input offset voltage may occur.

Each amplifier is individually biased by a zener reference which allows normal circuit operation on $\pm 6V$ power supplies. Supply voltages less than these may result in lower gain bandwidth and slew rate.

The amplifiers will drive a $2\text{ k}\Omega$ load resistance to $\pm 10V$ over the full temperature range of 0°C to $+70^\circ\text{C}$. If the amplifier is forced to drive heavier load currents, however, an increase in input offset voltage may occur on the negative voltage swing and finally reach an active current limit on both positive and negative swings.

Precautions should be taken to ensure that the power supply for the integrated circuit never becomes reversed in polarity or that the unit is not inadvertently installed backwards

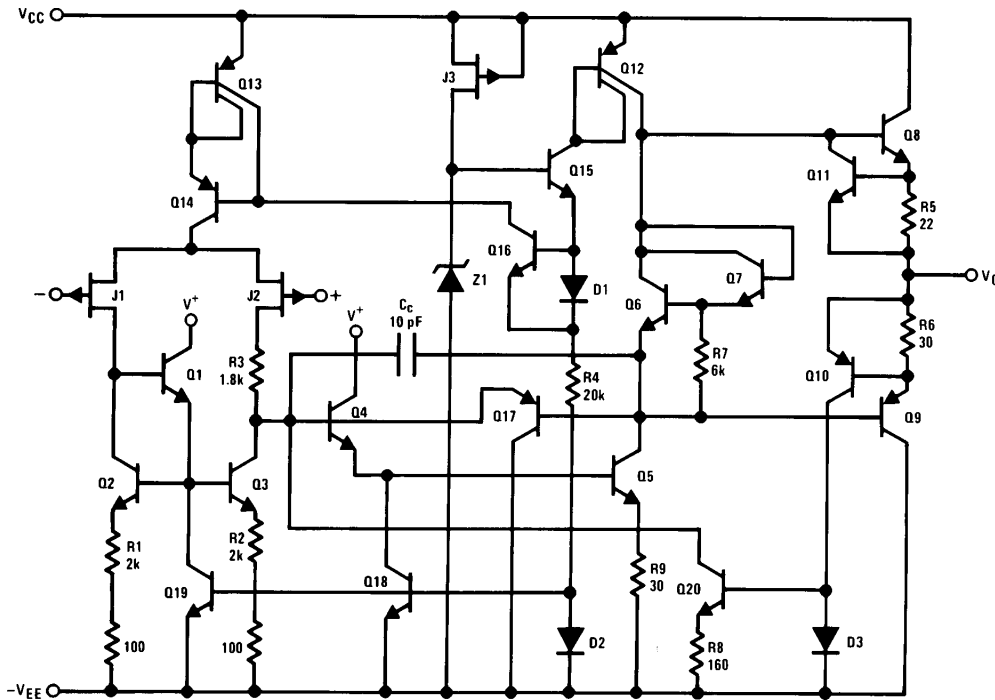
in a socket as an unlimited current surge through the resulting forward diode within the IC could cause fusing of the internal conductors and result in a destroyed unit.

Because these amplifiers are JFET rather than MOSFET input op amps they do not require special handling.

As with most amplifiers, care should be taken with lead dress, component placement and supply decoupling in order to ensure stability. For example, resistors from the output to an input should be placed with the body close to the input to minimize "pick-up" and maximize the frequency of the feedback pole by minimizing the capacitance from the input to ground.

A feedback pole is created when the feedback around any amplifier is resistive. The parallel resistance and capacitance from the input of the device (usually the inverting input) to AC ground set the frequency of the pole. In many instances the frequency of this pole is much greater than the expected 3 dB frequency of the closed loop gain and consequently there is negligible effect on stability margin. However, if the feedback pole is less than approximately 6 times the expected 3 dB frequency a lead capacitor should be placed from the output to the input of the op amp. The value of the added capacitor should be such that the RC time constant of this capacitor and the resistance it parallels is greater than or equal to the original feedback pole time constant.

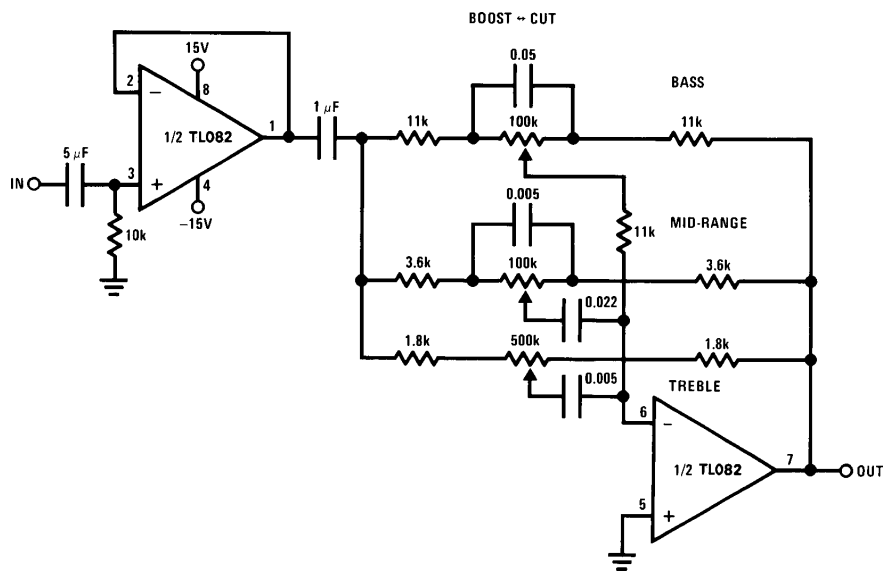
Detailed Schematic



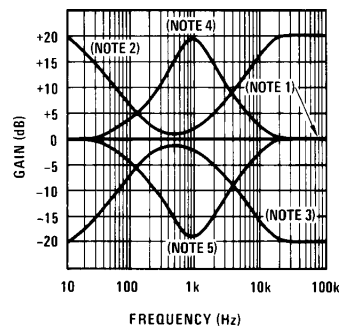
TL/H/8357-11

Typical Applications

Three-Band Active Tone Control



TL/H/8357-12



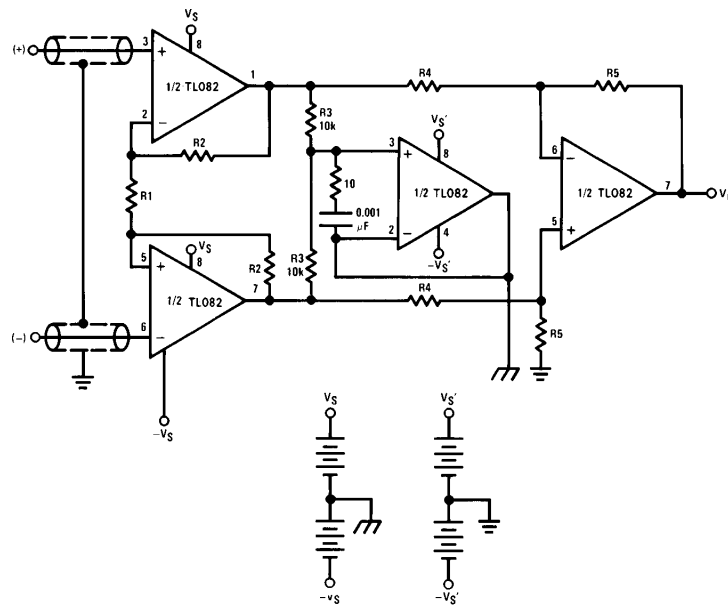
TL/H/8357-13

- Note 1:** All controls flat.
- Note 2:** Bass and treble boost, mid flat.
- Note 3:** Bass and treble cut, mid flat.
- Note 4:** Mid boost, bass and treble flat.
- Note 5:** Mid cut, bass and treble flat.

- All potentiometers are linear taper
- Use the LF347 Quad for stereo applications

Typical Applications (Continued)

Improved CMRR Instrumentation Amplifier



SEPARATE

TL/H/8357-14

$$A_V = \left(\frac{2R_2}{R_1} + 1 \right) \frac{R_5}{R_4}$$

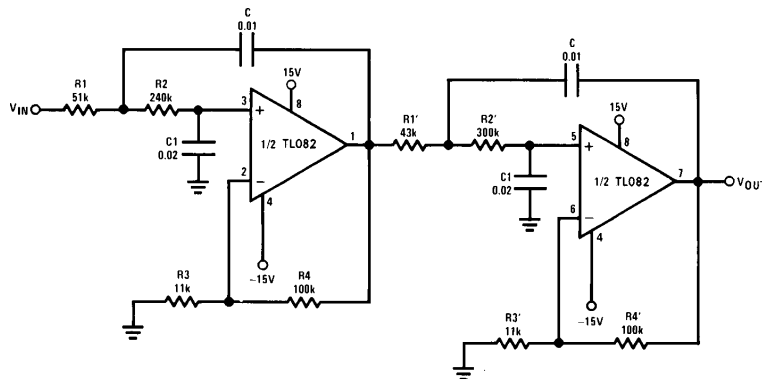
$\#$ and \pm are separate isolated grounds

Matching of R2's, R4's and R5's control CMRR

With $A_{V_T} = 1400$, resistor matching = 0.01%: CMRR = 136 dB

- Very high input impedance
- Super high CMRR

Fourth Order Low Pass Butterworth Filter



TL/H/8357-15

- Corner frequency (f_c) = $\sqrt{\frac{1}{R_1 R_2 C C_1}} \cdot \frac{1}{2\pi} = \sqrt{\frac{1}{R_1' R_2' C C_1}} \cdot \frac{1}{2\pi}$

- Passband gain (H_0) = $(1 + R_4/R_3)(1 + R_4'/R_3')$

- First stage Q = 1.31

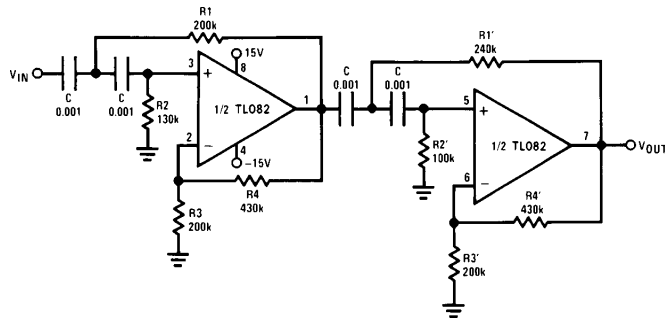
- Second stage Q = 0.541

- Circuit shown uses nearest 5% tolerance resistor values for a filter with a corner frequency of 100 Hz and a passband gain of 100

- Offset nulling necessary for accurate DC performance

Typical Applications (Continued)

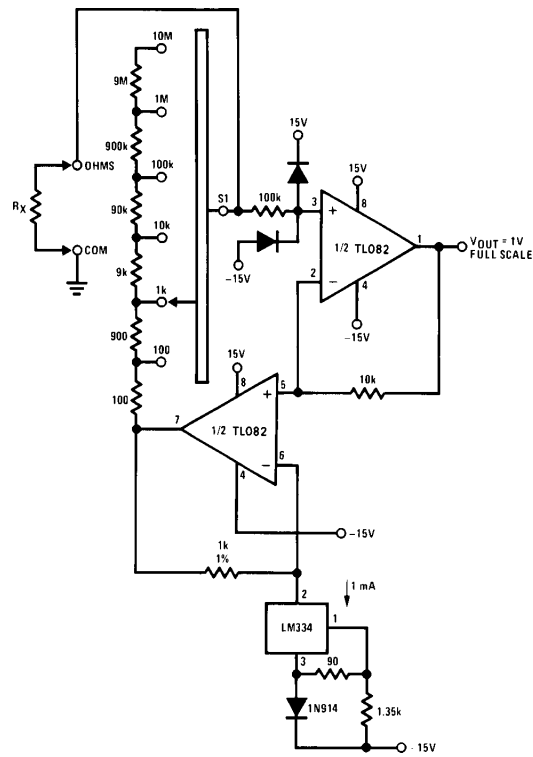
Fourth Order High Pass Butterworth Filter



TL/H/8357-16

- Corner frequency (f_c) = $\frac{1}{\sqrt{R_1 R_2 C^2}} \cdot \frac{1}{2\pi} = \frac{1}{\sqrt{R_1' R_2' C^2}} \cdot \frac{1}{2\pi}$
- Passband gain (H_0) = $(1 + R_4/R_3) (1 + R_4'/R_3')$
- First stage Q = 1.31
- Second stage Q = 0.541
- Circuit shown uses closest 5% tolerance resistor values for a filter with a corner frequency of 1 kHz and a passband gain of 10

Ohms to Volts Converter

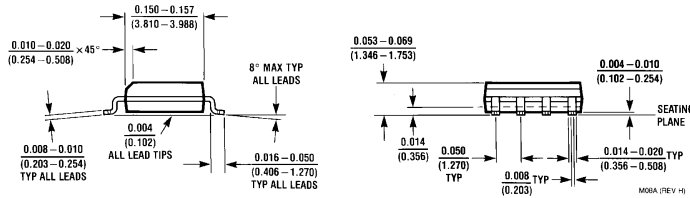
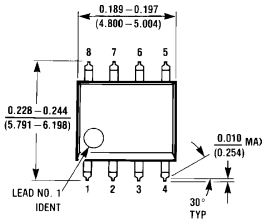


TL/H/8357-17

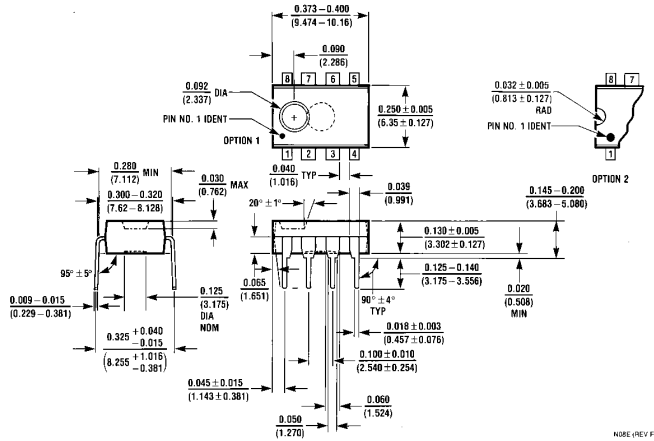
$$V_O = \frac{1V}{R_{LADDER}} \times R_X$$

Where R_{LADDER} is the resistance from switch S1 pole to pin 7 of the TL082CP.

Physical Dimensions inches (millimeters)



**Order Number TL082CM
NS Package M08A**



**Order Number TL082CP
NS Package N08E**

LIFE SUPPORT POLICY

NATIONAL'S PRODUCTS ARE NOT AUTHORIZED FOR USE AS CRITICAL COMPONENTS IN LIFE SUPPORT DEVICES OR SYSTEMS WITHOUT THE EXPRESS WRITTEN APPROVAL OF THE PRESIDENT OF NATIONAL SEMICONDUCTOR CORPORATION. As used herein:

1. Life support devices or systems are devices or systems which, (a) are intended for surgical implant into the body, or (b) support or sustain life, and whose failure to perform, when properly used in accordance with instructions for use provided in the labeling, can be reasonably expected to result in a significant injury to the user.
2. A critical component is any component of a life support device or system whose failure to perform can be reasonably expected to cause the failure of the life support device or system, or to affect its safety or effectiveness.



National Semiconductor Corporation
1111 West Bardin Road
Arlington, TX 76017
Tel: 1(800) 272-9959
Fax: 1(800) 737-7018

National Semiconductor Europe
Fax: (+49) 0-180-530 85 86
Email: cnjwge@tevm2.nsc.com
Deutsch Tel: (+49) 0-180-530 85 85
English Tel: (+49) 0-180-532 78 32
Français Tel: (+49) 0-180-532 93 58
Italiano Tel: (+49) 0-180-534 16 80

National Semiconductor Hong Kong Ltd.
19th Floor, Straight Block,
Ocean Centre, 5 Canton Rd.
Tsimshatsui, Kowloon
Hong Kong
Tel: (852) 2737-1600
Fax: (852) 2736-9960

National Semiconductor Japan Ltd.
Tel: 81-043-299-2309
Fax: 81-043-299-2408

National does not assume any responsibility for use of any circuitry described, no circuit patent licenses are implied and National reserves the right at any time without notice to change said circuitry and specifications.