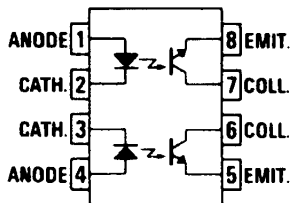
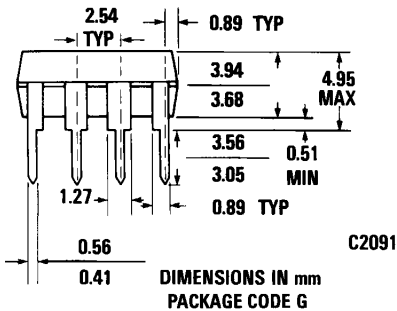
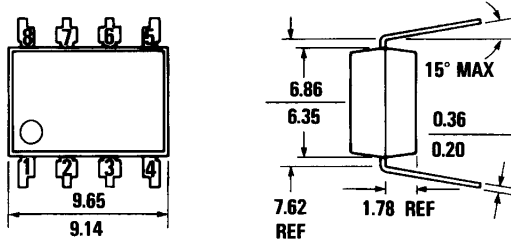


MCT6 MCT62 MCT61

PACKAGE DIMENSIONS



Equivalent Circuit

C2085

DESCRIPTION

The MCT6X optoisolators have two channels for high density applications. For four channel applications, two-packages fit into a standard 16-pin DIP socket. Each channel is an NPN silicon planar phototransistor optically coupled to a gallium arsenide infrared emitting diode.

FEATURES

- Two isolated channels per package
- Two packages fit into a 16 lead DIP socket
- Choice of 3 current transfer ratios
- Underwriters Laboratory (U.L.) recognized File E50151

APPLICATIONS

- AC Line/Digital Logic—Isolate high voltage transients
- Digital Logic/Digital Logic—Eliminate spurious grounds
- Digital Logic/AC Triac Control—Isolate high voltage transients
- Twisted pair line receiver—Eliminate ground loop feedthrough
- Telephone/Telegraph line receiver—Isolate high voltage transients
- High Frequency Power Supply Feedback Control—Maintain floating ground
- Relay contact monitor—Isolate floating grounds and transients
- Power Supply Monitor—Isolate transients

ABSOLUTE MAXIMUM RATINGS

Storage temperature -55°C to 150°C
 Operating temperature -55°C to 100°C
 Lead temperature (soldering, 10 sec.) 250°C

TOTAL INPUT

Power dissipation at 25°C ambient 100 mW
 Derate linearly from 25°C $1.3\text{ mW}/^{\circ}\text{C}$

COUPLED

Input to output breakdown voltage 2500 volts V_{RMS}
 Total package power dissipation
 @ 25°C ambient 400 mW
 Derate linearly from 25°C $5.33\text{ mW}/^{\circ}\text{C}$

INPUT DIODE (each channel)

Forward current 60 mA
 Reverse voltage 3.0 V
 Peak forward current (1 μs pulse, 300 pps) 3 A

OUTPUT TRANSISTOR (each channel)

Power dissipation @ 25°C ambient 150 mW
 Derate linearly from 25°C $2\text{ mW}/^{\circ}\text{C}$
 Collector current 30 mA



DUAL PHOTOTRANSISTOR OPTOCOUPLEDERS

ELECTRO-OPTICAL CHARACTERISTICS (25°C Free Air Temperature Unless Otherwise Specified)

INDIVIDUAL COMPONENT CHARACTERISTICS

CHARACTERISTICS	SYMBOL	MIN.	TYP.	MAX.	UNITS	TEST CONDITION
INPUT DIODE						
Rated forward voltage	V_F		1.25	1.50	V	$I_F = 20 \text{ mA}$
Reverse voltage	V_R	3.0	25		V	$I_R = 10 \text{ } \mu\text{A}$
Reverse current	I_R		.001	10	μA	$V_R = 3.0 \text{ V}$
Junction capacitance	C_J		50		pF	$V_F = 0 \text{ V}$
OUTPUT TRANSISTOR ($I_F = 0$)						
Breakdown voltage, collector to emitter	BV_{CEO}	30	85		V	$I_C = 1.0 \text{ mA}$
Breakdown voltage, emitter to collector	BV_{ECO}	6	13		V	$I_E = 100 \text{ } \mu\text{A}$
Leakage current, collector to emitter	I_{CEO}		5	100	nA	$V_{CE} = 10 \text{ V}$
Capacitance collector to emitter	C_{CE}		8		pF	$V_{CE} = 0 \text{ V}$

TRANSFER CHARACTERISTICS

CHARACTERISTICS	SYMBOL	MIN.	TYP.	MAX.	UNITS	TEST CONDITION
COUPLED						
DC current transfer ratio (I_C/I_F)=CTR						
MCT6		20			%	$V_{CE} = 10 \text{ V}, I_F = 10 \text{ mA}$
MCT61		50			%	$V_{CE} = 5 \text{ V}, I_F = 5 \text{ mA}$
MCT62		100			%	$V_{CE} = 5 \text{ V}, I_F = 5 \text{ mA}$
Saturation voltage—collector to emitter	$V_{CE(SAT)}$		0.2	0.4	V	$I_C = 2 \text{ mA}, I_F = 16 \text{ mA}$
MCT6, 61, 62						

TRANSFER CHARACTERISTICS

CHARACTERISTICS	SYMBOL	MIN.	TYP.	MAX.	UNITS	TEST CONDITION
SWITCHING TIMES, OUTPUT TRANSISTOR						
Non-saturated rise time, fall time (Note 3)			2.4		μs	$I_C = 2 \text{ mA}, V_{CE} = 10 \text{ V}, R_L = 100\Omega$
Non-saturated rise time, fall time (Note 3)			15		μs	$I_C = 2 \text{ mA}, V_{CE} = 10 \text{ V}, R_L = 1\text{K}\Omega$
Saturated turn-on time (from 5.0V to 0.8V)			5		μs	$R_L = 2\text{K}\Omega, I_F = 40 \text{ mA}$
Saturated turn-off time (from saturation to 2.0V)			25		μs	$R_L = 2\text{K}\Omega, I_F = 40 \text{ mA}$
Bandwidth B_w			150		kHz	$I_C = 2 \text{ mA}, V_{CE} = 10 \text{ V}, R_L = 100\Omega$

ISOLATION CHARACTERISTICS

CHARACTERISTICS	SYMBOL	MIN.	TYP.	MAX.	UNITS	TEST CONDITION
Isolation voltage	$BV_{(I-O)}$	2500			V_{RMS}	$t = 1 \text{ minute}$
Isolation resistance						
MCT6X—	$R_{(I-O)}$	10^{11}	10^{12}		Ω	$V_{I-O} = 500 \text{ VDC}$
Breakdown voltage—channel-to-channel			500		VDC	Relative humidity = 40% $f = 1 \text{ MHz}$
MCT6X						
Capacitance between channels			0.4		pF	

TYPICAL ELECTRO-OPTICAL CHARACTERISTIC CURVES
(25°C Free Air Temperature Unless Otherwise Specified)

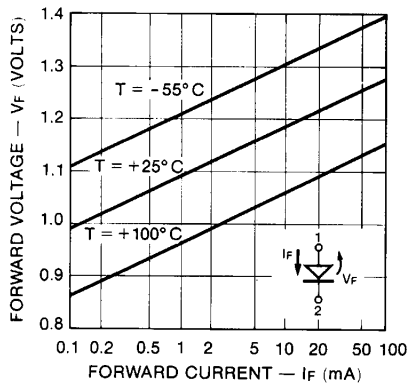


Fig. 1. Forward Voltage vs. Current

C1686

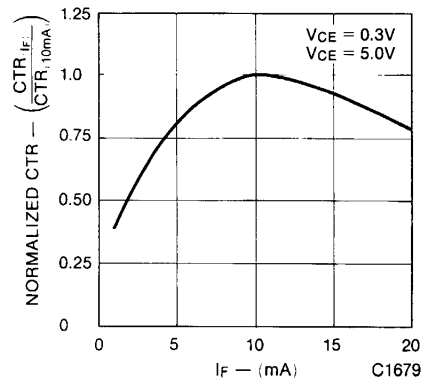


Fig. 2. Normalized CTR vs. Forward Current

C1679

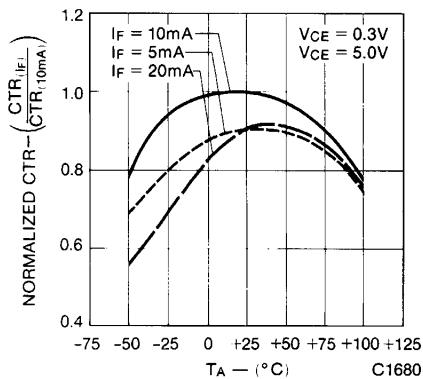


Fig. 3. Normalized CTR vs. Temperature

C1680

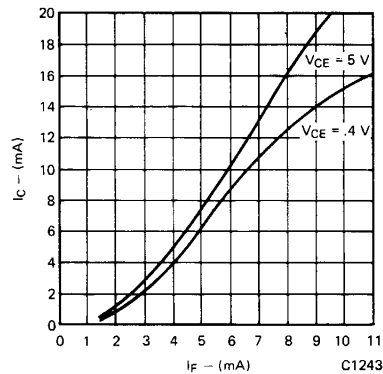


Fig. 4. Collector Current vs. Forward Current

C1243

TYPICAL ELECTRO-OPTICAL CHARACTERISTIC CURVES

(25°C Free Air Temperature Unless Otherwise Specified) (Cont'd)

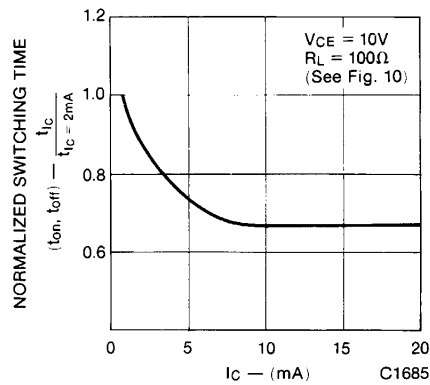


Fig. 5. Switching Time vs. IC

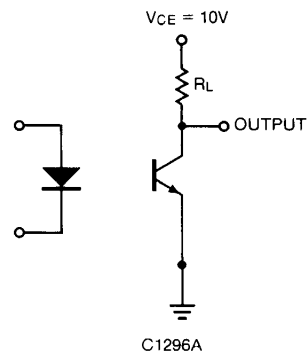


Fig. 6. Switching Time Test Circuit

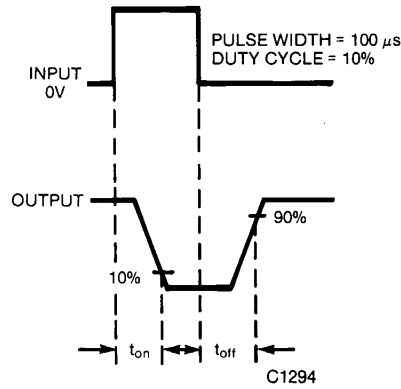


Fig. 7. Switching Time Waveforms

NOTES

1. Normalized CTR degradation = $\frac{CTR_0 - CTR}{CTR_0}$
2. The current transfer ratio (I_c/I_f) is the ratio of the detector collector current to the LED input current with V_{CE} at 10 volts.
3. The frequency at which I_c is 3 dB down from the 1 kHz value.
4. Rise time (t_r) is the time required for the collector current to increase from 10% of its final value to 90%.
Fall time (t_f) is the time required for the collector current to decrease from 90% of its initial value to 10%.