

Low Power, +3V to +5.5V, 250kbps, RS-232 Transmitters/Receivers

The Intersil ICL32X7 devices are 3.0V to 5.5V powered RS-232 transmitters (five)/receivers (three) which meet EIA/TIA-232 and V.28/V.24 specifications, even at $V_{CC} = 3.0V$. Targeted applications are ISDN Terminal Adaptors, PDAs, Palmtops, peripherals, and notebook and laptop computers where the low operational, and even lower standby, power consumption is critical. The ICL3217's efficient on-chip charge pumps, coupled with an automatic powerdown function, reduces the standby supply current to a 1 μ A trickle. Small footprint packaging, and the use of small, low value capacitors ensure board space savings as well. Data rates greater than 250kbps are guaranteed at worst case load conditions. This family is fully compatible with 3.3V only systems, mixed 3.3V and 5.0V systems, and 5.0V only systems, and is a lower power, pin-for-pin replacement for '207 and '237 type devices.

The **ICL3217** features an **automatic powerdown** function which powers down the on-chip power-supply and driver circuits. This occurs when an attached peripheral device is shut off or the RS-232 cable is removed, conserving system power automatically, without changes to the hardware or operating system. The ICL3217 powers up again when a valid RS-232 voltage is applied to any receiver input.

Table 1 summarizes the features of the devices represented by this data sheet, while application Note AN9863 summarizes the features of each device comprising the ICL32XX 3V family.

Features

- Pb-free Available as an Option (see Ordering Info)
- $\pm 15kV$ ESD Protected (Human Body Model)
- 5V Lower Power Replacement for MAX207, HIN207, HIN237
- Meets EIA/TIA-232 and V.28/V.24 Specifications at 3V
- Latch-Up Free
- On-Chip Voltage Converters Require Only Four External 0.1 μ F Capacitors
- Automatic Powerdown ($I_{CC} = 1\mu A$, ICL3217 Only)
- Receiver Hysteresis For Improved Noise Immunity
- Guaranteed Minimum Data Rate 250kbps
- Guaranteed Minimum Slew Rate 6V/ μ s
- Wide Power Supply Range Single +3V to +5.5V

Applications

- Any System Requiring RS-232 Communication Ports
 - Battery Powered, Hand-Held, and Portable Equipment
 - Laptop Computers, Notebooks, Palmtops
 - Modems, Printers and other Peripherals
 - ISDN Terminal Adaptors and Set Top Boxes

Related Literature

- Technical Brief TB363 "Guidelines for Handling and Processing Moisture Sensitive Surface Mount Devices (SMDs)"

TABLE 1. SUMMARY OF FEATURES

PART NUMBER	NO. OF Tx.	NO. OF Rx.	NO. OF MONITOR Rx. (R _{OUTB})	DATA RATE (kbps)	Rx. ENABLE FUNCTION?	MANUAL POWER-DOWN?	AUTOMATIC POWERDOWN FUNCTION?
ICL3207	5	3	0	250	NO	NO	NO
ICL3217	5	3	0	250	NO	NO	YES

Ordering Information

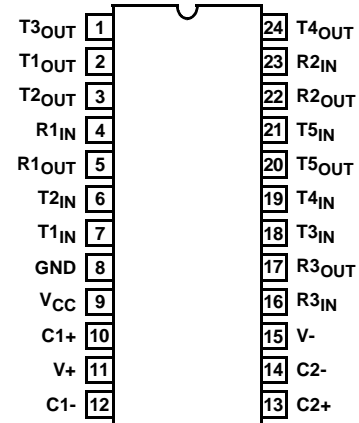
PART NO.*	TEMP. RANGE (°C)	PACKAGE	PKG. DWG. #
ICL3207CA	0 to 70	24 Ld SSOP	M24.209
ICL3207CAZ (Note)	0 to 70	24 Ld SSOP (Pb-free)	M24.209
ICL3207CB	0 to 70	24 Ld SOIC	M24.3
ICL3207CBZ (Note)	0 to 70	24 Ld SOIC (Pb-free)	M24.3
ICL3207IA	-40 to 85	24 Ld SSOP	M24.209
ICL3207IAZ (Note)	-40 to 85	24 Ld SSOP (Pb-free)	M24.209
ICL3217CA	0 to 70	24 Ld SSOP	M24.209
ICL3217CAZ (Note)	0 to 70	24 Ld SSOP (Pb-free)	M24.209
ICL3217CB	0 to 70	24 Ld SOIC	M24.3
ICL3217CBZ (Note)	0 to 70	24 Ld SOIC (Pb-free)	M24.3
ICL3217IA	-40 to 85	24 Ld SSOP	M24.209
ICL3217IAZ (Note)	-40 to 85	24 Ld SSOP (Pb-free)	M24.209
ICL3217IB	-40 to 85	24 Ld SOIC	M24.3

*Most surface mount devices are available on tape and reel; add "-T" to suffix.

NOTE: Intersil Pb-free products employ special Pb-free material sets; molding compounds/die attach materials and 100% matte tin plate termination finish, which is compatible with both SnPb and Pb-free soldering operations. Intersil Pb-free products are MSL classified at Pb-free peak reflow temperatures that meet or exceed the Pb-free requirements of IPC/JEDEC J Std-020B.

Pinout

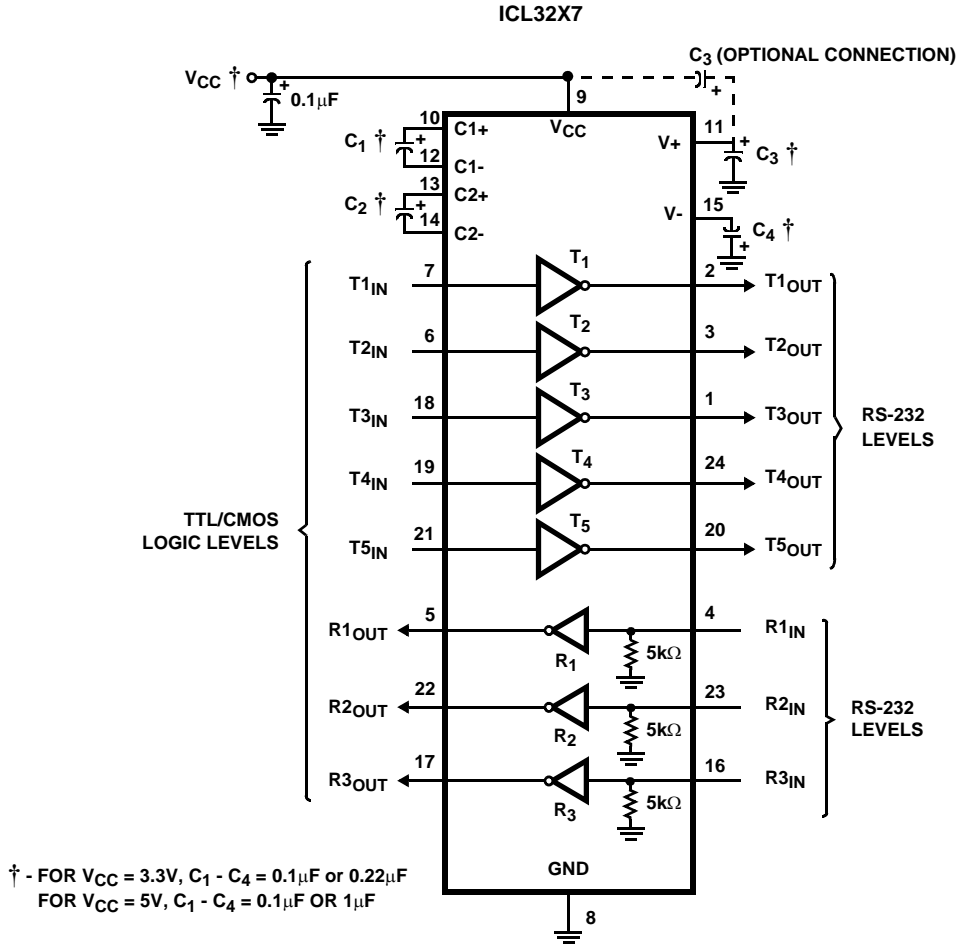
ICL3207, ICL3217 (SOIC, SSOP)
TOP VIEW



Pin Descriptions

PIN	FUNCTION
VCC	System power supply input (3.0V to 5.5V).
V+	Internally generated positive transmitter supply (+5.5V).
V-	Internally generated negative transmitter supply (-5.5V).
GND	Ground connection.
C1+	External capacitor (voltage doubler) is connected to this lead.
C1-	External capacitor (voltage doubler) is connected to this lead.
C2+	External capacitor (voltage inverter) is connected to this lead.
C2-	External capacitor (voltage inverter) is connected to this lead.
T _{IN}	TTL/CMOS compatible transmitter Inputs.
T _{OUT}	RS-232 level (nominally ±5.5V) transmitter Outputs.
R _{IN}	RS-232 compatible receiver inputs.
R _{OUT}	TTL/CMOS level receiver outputs.

Typical Operating Circuit



ICL3207, ICL3217

Absolute Maximum Ratings

V _{CC} to Ground	-0.3V to 6V
V ₊ to Ground	-0.3V to 7V
V ₋ to Ground	+0.3V to -7V
V ₊ to V ₋	14V
Input Voltages	
T _{IN}	-0.3V to 6V
R _{IN}	±25V
Output Voltages	
T _{OUT}	±13.2V
R _{OUT}	-0.3V to V _{CC} + 0.3V
Short Circuit Duration	
T _{OUT}	Continuous
ESD Rating	See Specification Table

Thermal Information

Thermal Resistance (Typical, Note 1)	θ _{JA} (°C/W)
24 Ld SOIC Package	74
24 Ld SSOP Package	100
Maximum Junction Temperature (Plastic Package)	150°C
Maximum Storage Temperature Range	-65°C to 150°C
Maximum Lead Temperature (Soldering 10s) (Lead Tips Only)	300°C

Operating Conditions

Temperature Range	
ICL32X7CX	0°C to 70°C
ICL32X7IX	-40°C to 85°C

CAUTION: Stresses above those listed in "Absolute Maximum Ratings" may cause permanent damage to the device. This is a stress only rating and operation of the device at these or any other conditions above those indicated in the operational sections of this specification is not implied.

NOTE:

1. θ_{JA} is measured with the component mounted on a low effective thermal conductivity test board in free air. See Tech Brief TB379 for details.

Electrical Specifications Test Conditions: V_{CC} = 3V to 5.5V, C₁ - C₄ = 0.1µF; Unless Otherwise Specified.
Typicals are at T_A = 25°C

PARAMETER	TEST CONDITIONS	TEMP (°C)	MIN	TYP	MAX	UNITS
DC CHARACTERISTICS						
Supply Current, Automatic Powerdown	All R _{IN} Open (ICL3217 Only)	25	-	1.0	10	µA
Supply Current, Automatic Powerdown Disabled	All Outputs Unloaded	25	-	0.3	1.0	mA
TRANSMITTER INPUTS AND RECEIVER OUTPUTS						
Input Logic Threshold Low	T _{IN}	Full	-	-	0.8	V
Input Logic Threshold High	T _{IN}	V _{CC} = 3.3V	Full	2.0	-	V
		V _{CC} = 5.0V	Full	2.4	-	V
Input Leakage Current	T _{IN}	Full	-	±0.01	±1.0	µA
Output Leakage Current (ICL3217 Only)		Full	-	±0.05	±10	µA
Output Voltage Low	I _{OUT} = 1.6mA	Full	-	-	0.4	V
Output Voltage High	I _{OUT} = -1.0mA	Full	V _{CC} -0.6	V _{CC} -0.1	-	V
AUTOMATIC POWERDOWN (ICL3217 Only)						
Receiver Input Thresholds to Enable Transmitters	ICL3217 Powers Up (Figure 4)	Full	-2.7	-	2.7	V
Receiver Input Thresholds to Disable Transmitters	ICL3217 Powers Down (Figure 4)	Full	-0.3	-	0.3	V
Receiver Threshold to Transmitters Enabled Delay (t _{WU})		25	-	100	-	µs
Receiver Positive or Negative Threshold to Transmitters Disabled Delay		25	-	30	-	µs
RECEIVER INPUTS						
Input Voltage Range		Full	-25	-	25	V
Input Threshold Low	V _{CC} = 3.3V	25	0.6	1.2	-	V
	V _{CC} = 5.0V	25	0.8	1.5	-	V
Input Threshold High	V _{CC} = 3.3V	25	-	1.5	2.4	V
	V _{CC} = 5.0V	25	-	1.8	2.4	V

ICL3207, ICL3217

Electrical Specifications Test Conditions: $V_{CC} = 3V$ to $5.5V$, $C_1 - C_4 = 0.1\mu F$; Unless Otherwise Specified.
Typicals are at $T_A = 25^\circ C$ (Continued)

PARAMETER	TEST CONDITIONS	TEMP (°C)	MIN	TYP	MAX	UNITS	
Input Hysteresis		25	-	0.3	-	V	
Input Resistance		25	3	5	7	k Ω	
TRANSMITTER OUTPUTS							
Output Voltage Swing	All Transmitter Outputs Loaded with 3k Ω to Ground	Full	± 5.0	± 5.4	-	V	
Output Resistance	$V_{CC} = V+ = V- = 0V$, Transmitter Output = $\pm 2V$	Full	300	10M	-	Ω	
Output Short-Circuit Current		Full	-	± 35	± 60	mA	
Output Leakage Current (ICL3217 Only)	$V_{OUT} = \pm 12V$, $V_{CC} = 0V$ or $3V$ to $5.5V$ In Automatic Powerdown	Full	-	-	± 25	μA	
TIMING CHARACTERISTICS							
Maximum Data Rate (One Transmitter Switching)	$V_{CC} = 3.15V$, $C_1 - C_4 = 0.1\mu F$, $R_L = 3k\Omega$, $C_L = 1000pF$	Full	250	500	-	kbps	
	$V_{CC} = 3.0V$, $C_1 - C_4 = 0.22\mu F$, $R_L = 3k\Omega$, $C_L = 1000pF$	Full	250	286	-	kbps	
	$V_{CC} \geq 4.5V$, $C_1 - C_4 = 0.1\mu F$, $R_L = 3k\Omega$, $C_L = 1000pF$	Full	250	310	-	kbps	
Receiver Propagation Delay	Receiver Input to Receiver Output, $C_L = 150pF$	t_{PHL}	25	-	0.3	-	μs
		t_{PLH}	25	-	0.3	-	μs
Transmitter Skew	$t_{PHL} - t_{PLH}$	Full	-	200	1000	ns	
Receiver Skew	$t_{PHL} - t_{PLH}$	Full	-	100	500	ns	
Transition Region Slew Rate	$V_{CC} = 3.3V$, $R_L = 3k\Omega$ to $7k\Omega$, Measured From $+3V$ to $-3V$ or $-3V$ to $+3V$	$C_L = 200pF$ to $2500pF$	25	4	15	30	V/ μs
		$C_L = 200pF$ to $1000pF$	25	6	15	30	V/ μs
ESD PERFORMANCE							
RS-232 Pins (T_{OUT} , R_{IN})	Human Body Model	25	-	± 15	-	kV	
	IEC1000-4-2 Contact Discharge	25	-	± 8	-	kV	
	IEC1000-4-2 Air Gap Discharge	25	-	± 6	-	kV	
All Other Pins	Human Body Model	25	-	± 2	-	kV	

Detailed Description

The ICL32X7 interface ICs operate from a single +3V to +5.5V power supply, guarantee a 250kbps minimum data rate, require only four small external 0.1 μF capacitors, feature low power consumption, and meet all EIA RS-232C and V.28 specifications. The circuit is divided into three sections: The charge pump, the transmitters, and the receivers.

Charge-Pump

Intersil's new ICL32XX family utilizes regulated on-chip dual charge pumps as voltage doublers, and voltage inverters to generate $\pm 5.5V$ transmitter supplies from a V_{CC} supply as low as 3.0V. This allows these devices to maintain RS-232 compliant output levels over the $\pm 10\%$ tolerance range of 3.3V powered systems. The efficient on-chip power supplies require only four small, external 0.1 μF capacitors for the voltage doubler and inverter functions at $V_{CC} = 3.3V$. See the "Capacitor Selection" section, and Table 3 for capacitor recommendations for other operating conditions. The charge pumps operate discontinuously (i.e., they turn off as soon as the V+ and V- supplies are pumped up to the nominal values), resulting in significant power savings.

Transmitters

The transmitters are proprietary, low dropout, inverting drivers that translate TTL/CMOS inputs to EIA/TIA-232 output levels. Coupled with the on-chip $\pm 5.5V$ supplies, these transmitters deliver true RS-232 levels over a wide range of single supply system voltages.

ICL3217 transmitter outputs disable and assume a high impedance state when the device enters the automatic powerdown mode. These outputs may be driven to $\pm 12V$ when disabled.

Both devices guarantee a 250kbps data rate for full load conditions (3k Ω and 1000pF), $V_{CC} \geq 3.0V$, with one transmitter operating at full speed. Under more typical conditions of $V_{CC} \geq 3.3V$, $R_L = 3k\Omega$, and $C_L = 250pF$, one transmitter easily operates at 800kbps.

Transmitter inputs float if left unconnected, and may cause I_{CC} increases. Connect unused inputs to GND for the best performance.

Receivers

The ICL32X7 each contain inverting receivers that convert RS-232 signals to CMOS output levels and accept inputs up to $\pm 25V$ while presenting the required $3k\Omega$ to $7k\Omega$ input impedance (see Figure 1) even if the power is off ($V_{CC} = 0V$). The receivers' Schmitt trigger input stage uses hysteresis to increase noise immunity and decrease errors due to slow input signal transitions.

Receivers on the ICL3207 are always active. The ICL3217 receivers disable when in the automatic powerdown state, thereby eliminating the possible current path through a shutdown peripheral's input protection diode (see Figures 2 and 3).

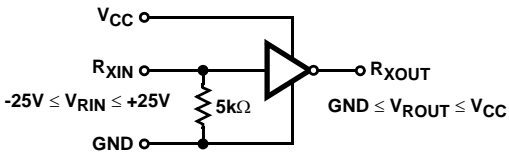


FIGURE 1. INVERTING RECEIVER CONNECTIONS

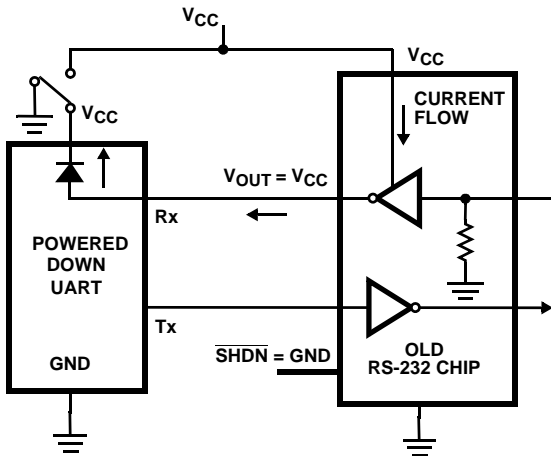


FIGURE 2. POWER DRAIN THROUGH POWERED DOWN PERIPHERAL

Low Power Operation

These 3V devices require a nominal supply current of 0.3mA, even at $V_{CC} = 5.5V$, during normal operation (not in powerdown mode). This is considerably less than the 11mA current required by comparable 5V RS-232 devices, allowing users to reduce system power simply by replacing the old style device with the ICL3207.

Low Power, Pin Compatible Replacement

Pin compatibility with existing 5V products (e.g., MAX207), coupled with the wide operating supply range, make the ICL32X7 potential lower power, higher performance drop-in replacements for existing '2X7 5V applications. As long as the $\pm 5V$ RS-232 output swings are acceptable, the ICL32X7 devices should work in most 5V applications.

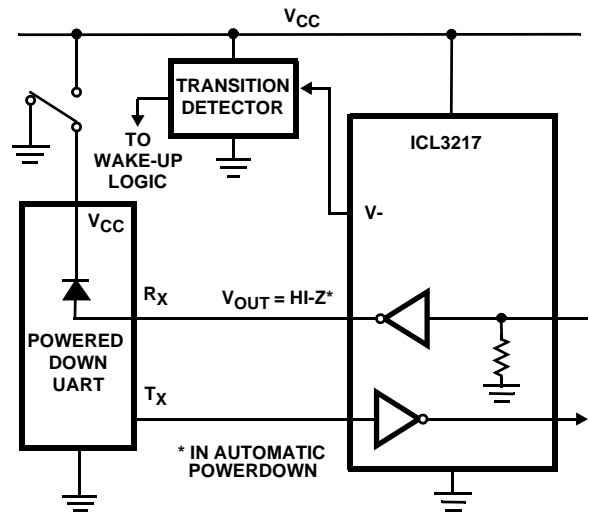


FIGURE 3. DISABLED RECEIVERS PREVENT POWER DRAIN

When replacing a '207 or '237 device in an existing 5V application, it is acceptable to terminate C_3 to V_{CC} as shown on the "Typical Operating Circuit". Nevertheless, terminate C_3 to GND if possible, as slightly better performance results from this configuration.

Automatic Powerdown (ICL3217 Only)

Even greater power savings is available by using the ICL3217 which features an automatic powerdown function. When no valid RS-232 voltages (see Figure 4) are sensed on any receiver input for $30\mu s$, the ICL3217 automatically enters its powerdown state (see Figure 5). In powerdown, supply current drops to $1\mu A$, because the on-chip charge pump turns off ($V+$ collapses to V_{CC} , $V-$ collapses to GND), and the receiver and transmitter outputs three-state (see Table 2). This micro-power mode makes the ICL3217 ideal for battery powered and portable applications. Invalid receiver levels occur whenever the driving peripheral's outputs are shut off (powered down) or when the RS-232 interface cable is disconnected. The ICL3217 powers back up whenever it detects a valid RS-232 voltage level on any receiver input (such as when the RS-232 cable is reconnected). The time to recover from automatic powerdown mode is typically $100\mu s$.

TABLE 2. ICL3217 AUTOMATIC POWERDOWN OPERATION

RS-232 SIGNAL PRESENT AT RECEIVER INPUT?	TRANSMITTER OUTPUTS	RECEIVER OUTPUTS	MODE OF OPERATION
YES	Active	Active	Normal Operation
NO	High-Z	High-Z	Powerdown Due to Auto Powerdown Logic

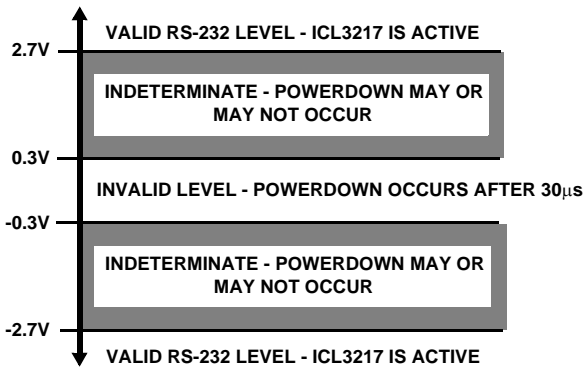


FIGURE 4. DEFINITION OF VALID RS-232 RECEIVER LEVELS

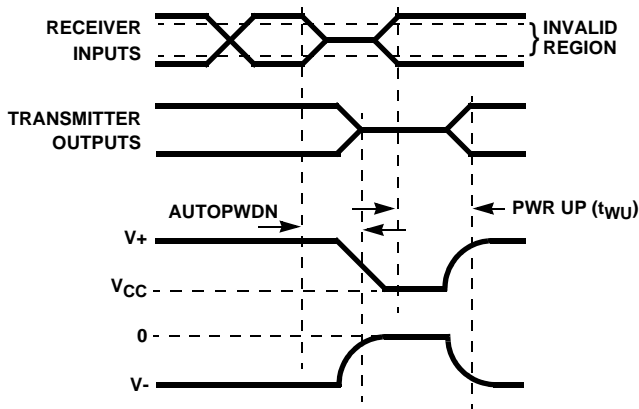


FIGURE 5. AUTOMATIC POWERDOWN TIMING DIAGRAM

This automatic powerdown feature provides additional system power savings without changes to the existing operating system or hardware.

Utilizing power management circuitry, to power down the rest of the communication circuitry (e.g., the UART) when the ICL3217 powers down, produces even greater power savings. Connecting a transition detector to the V- pin (see Figure 3) is an easy way for the power management logic to determine when the ICL3217 enters and exits powerdown.

Capacitor Selection

The charge pumps require 0.1µF, or greater, capacitors for 3.3V operation. With 0.1µF capacitors, five percent tolerance supplies (e.g., 3.14V minimum) deliver greater than ±5V transmitter swings at full data rate, while ten percent tolerance supplies (e.g., 2.97V minimum) deliver ±4.95V transmitter swings. If greater than ±5V transmitter swings are required with a ten percent tolerance 3.3V supply, 0.22µF capacitors are recommended (see Table 3). Existing 5V applications typically utilize either 0.1µF or 1µF capacitors, and the ICL32X7E works well with either value. New 5V designs should use 0.22µF capacitors for the best results. For other supply voltages refer to Table 3 for capacitor values. Do not use values smaller than those listed

in Table 3. Increasing the capacitor values (by a factor of 2) reduces ripple on the transmitter outputs and slightly reduces power consumption. C₂, C₃, and C₄ can be increased without increasing C₁'s value, however, do not increase C₁ without also increasing C₂, C₃, and C₄ to maintain the proper ratios (C₁ to the other capacitors).

When using minimum required capacitor values, make sure that capacitor values do not degrade excessively with temperature. If in doubt, use capacitors with a larger nominal value. The capacitor's equivalent series resistance (ESR) usually rises at low temperatures and it influences the amount of ripple on V₊ and V₋.

TABLE 3. REQUIRED CAPACITOR VALUES

V _{CC} (V)	C ₁ (µF)	C ₂ , C ₃ , C ₄ (µF)
3.15 to 3.6	0.1	0.1
3.0 to 3.6	0.22	0.22
4.5 to 5.5	0.1 to 1.0	0.1 to 1.0
3.0 to 5.5	0.22	0.22

Power Supply Decoupling

In most circumstances a 0.1µF bypass capacitor is adequate. In applications that are particularly sensitive to power supply noise, decouple V_{CC} to ground with a capacitor of the same value as the charge-pump capacitor C₁. Connect the bypass capacitor as close as possible to the IC.

Transmitter Outputs when Exiting Powerdown

Figure 6 shows the response of two ICL3217 transmitter outputs when exiting powerdown mode. As they activate, the two transmitter outputs properly go to opposite RS-232 levels, with no glitching, ringing, nor undesirable transients. Each transmitter is loaded with 3kΩ in parallel with 2500pF. Note that the transmitters enable only when the magnitude of the supplies exceed approximately 3V.

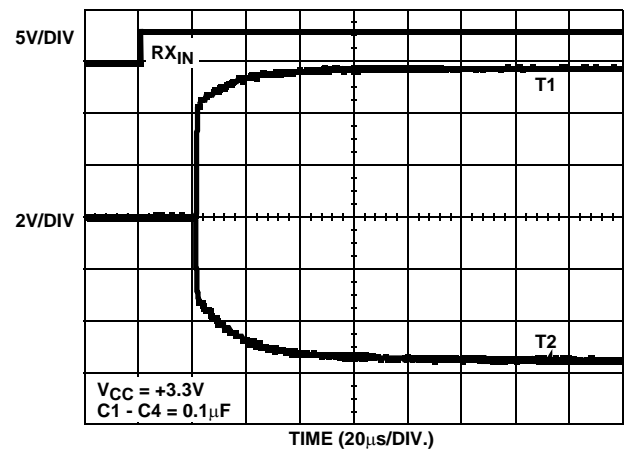


FIGURE 6. TRANSMITTER OUTPUTS WHEN EXITING POWERDOWN (ICL3217 ONLY)

High Data Rates

The ICL32XX maintain the RS-232 $\pm 5V$ minimum transmitter output voltages even at high data rates. Figure 7 details a transmitter loopback test circuit, and Figure 8 illustrates the loopback test result at 120kbps. For this test, all transmitters were simultaneously driving RS-232 loads in parallel with 1000pF, at 120kbps. Figure 9 shows the loopback results for a single transmitter driving 1000pF and an RS-232 load at 250kbps. The static transmitters were also loaded with an RS-232 receiver.

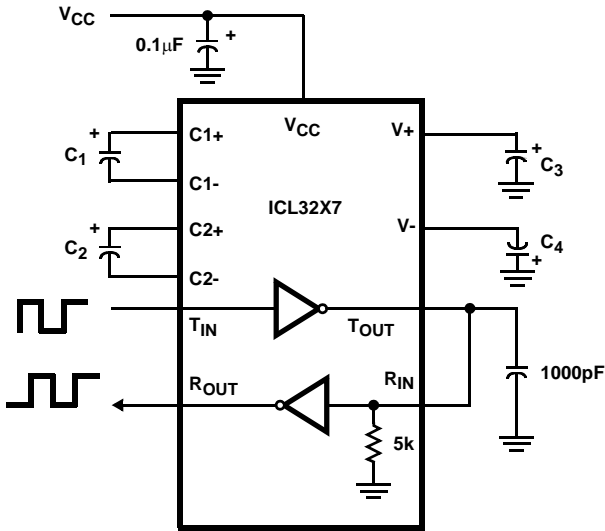


FIGURE 7. TRANSMITTER LOOPBACK TEST CIRCUIT

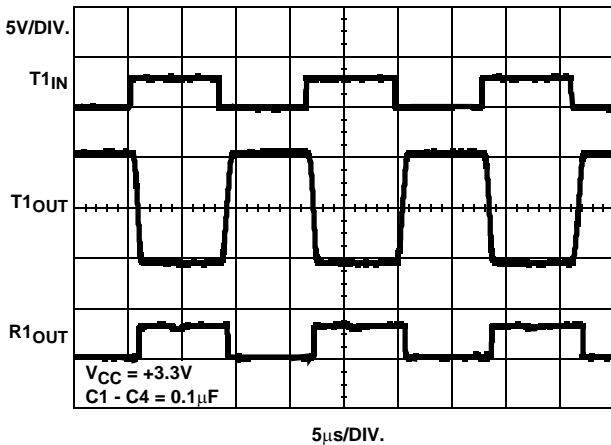


FIGURE 8. LOOPBACK TEST AT 120kbps

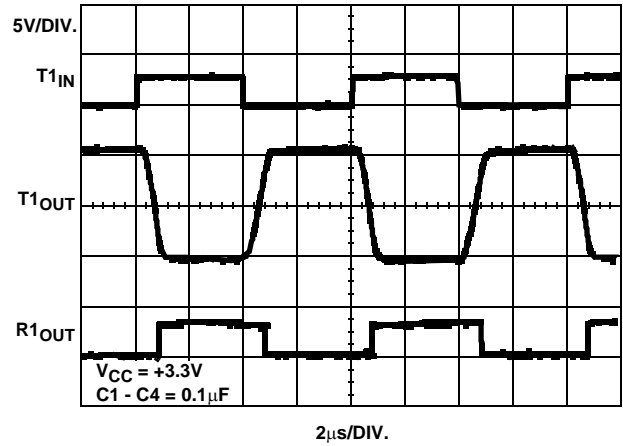


FIGURE 9. LOOPBACK TEST AT 250kbps

Interconnection with 3V and 5V Logic

The ICL32X7 directly interface with most 5V logic families, including ACT and HCT CMOS. See Table 4 for more information on possible combinations of interconnections.

TABLE 4. LOGIC FAMILY COMPATIBILITY WITH VARIOUS SUPPLY VOLTAGES

SYSTEM POWER-SUPPLY VOLTAGE (V)	V _{CC} SUPPLY VOLTAGE (V)	COMPATIBILITY
3.3	3.3	Compatible with all CMOS families.
5	5	Compatible with all TTL and CMOS logic families.
5	3.3	Compatible with ACT and HCT CMOS, and with TTL. Incompatible with AC, HC, or CD4000 CMOS.

Typical Performance Curves $V_{CC} = 3.3V, T_A = 25^\circ C$

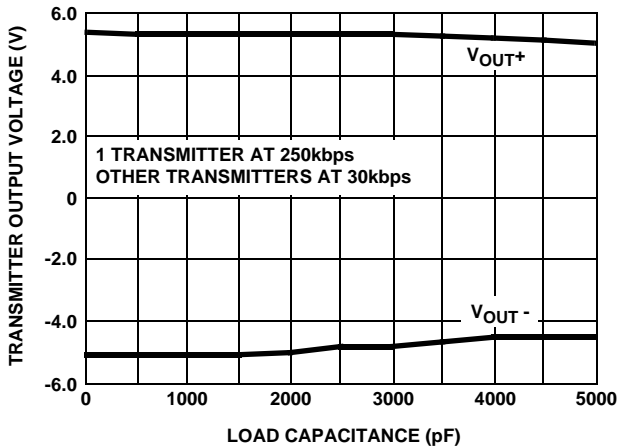


FIGURE 10. TRANSMITTER OUTPUT VOLTAGE vs LOAD CAPACITANCE

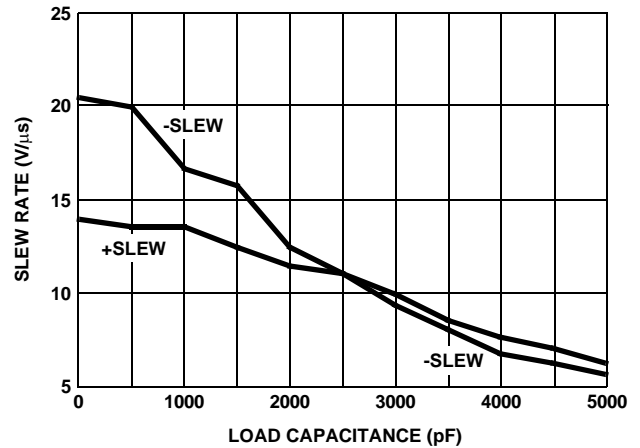


FIGURE 11. SLEW RATE vs LOAD CAPACITANCE

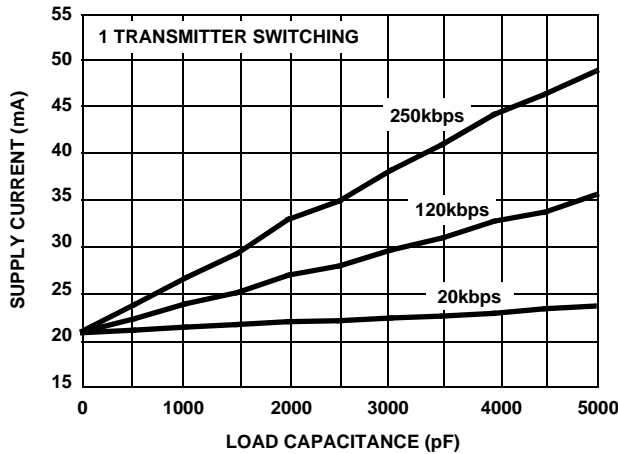


FIGURE 12. SUPPLY CURRENT vs LOAD CAPACITANCE WHEN TRANSMITTING DATA

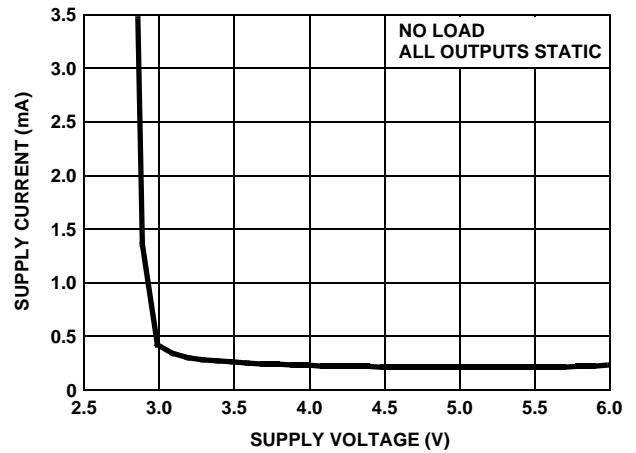


FIGURE 13. SUPPLY CURRENT vs SUPPLY VOLTAGE

Die Characteristics

SUBSTRATE POTENTIAL (POWERED UP):

GND

TRANSISTOR COUNT:

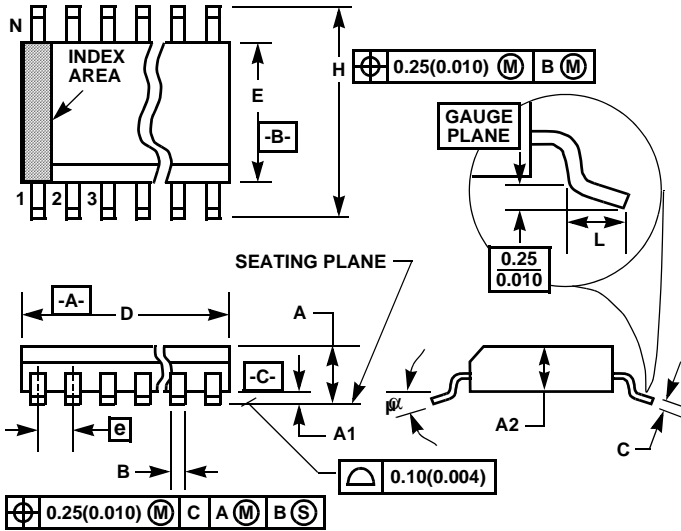
ICL3207: 469

ICL3217: 488

PROCESS:

Si Gate CMOS

Shrink Small Outline Plastic Packages (SSOP)



**M24.209 (JEDEC MO-150-AG ISSUE B)
24 LEAD SHRINK SMALL OUTLINE PLASTIC PACKAGE**

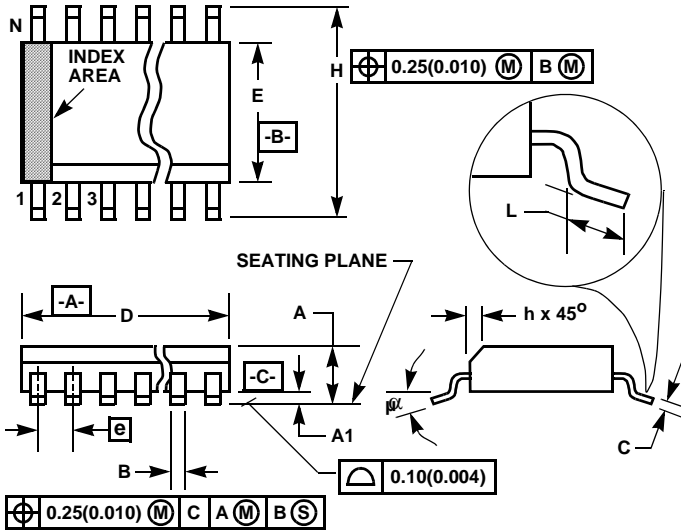
SYMBOL	INCHES		MILLIMETERS		NOTES
	MIN	MAX	MIN	MAX	
A	-	0.078	-	2.00	-
A1	0.002	-	0.05	-	-
A2	0.065	0.072	1.65	1.85	-
B	0.009	0.014	0.22	0.38	9
C	0.004	0.009	0.09	0.25	-
D	0.312	0.334	7.90	8.50	3
E	0.197	0.220	5.00	5.60	4
e	0.026 BSC		0.65 BSC		-
H	0.292	0.322	7.40	8.20	-
L	0.022	0.037	0.55	0.95	6
N	24		24		7
α	0°	8°	0°	8°	-

NOTES:

1. Symbols are defined in the "MO Series Symbol List" in Section 2.2 of Publication Number 95.
2. Dimensioning and tolerancing per ANSI Y14.5M-1982.
3. Dimension "D" does not include mold flash, protrusions or gate burrs. Mold flash, protrusion and gate burrs shall not exceed 0.20mm (0.0078 inch) per side.
4. Dimension "E" does not include interlead flash or protrusions. Interlead flash and protrusions shall not exceed 0.20mm (0.0078 inch) per side.
5. The chamfer on the body is optional. If it is not present, a visual index feature must be located within the crosshatched area.
6. "L" is the length of terminal for soldering to a substrate.
7. "N" is the number of terminal positions.
8. Terminal numbers are shown for reference only.
9. Dimension "B" does not include dambar protrusion. Allowable dambar protrusion shall be 0.13mm (0.005 inch) total in excess of "B" dimension at maximum material condition.
10. Controlling dimension: MILLIMETER. Converted inch dimensions are not necessarily exact.

Rev. 1 3/95

Small Outline Plastic Packages (SOIC)



M24.3 (JEDEC MS-013-AD ISSUE C)
24 LEAD WIDE BODY SMALL OUTLINE PLASTIC PACKAGE

SYMBOL	INCHES		MILLIMETERS		NOTES
	MIN	MAX	MIN	MAX	
A	0.0926	0.1043	2.35	2.65	-
A1	0.0040	0.0118	0.10	0.30	-
B	0.013	0.020	0.33	0.51	9
C	0.0091	0.0125	0.23	0.32	-
D	0.5985	0.6141	15.20	15.60	3
E	0.2914	0.2992	7.40	7.60	4
e	0.05 BSC		1.27 BSC		-
H	0.394	0.419	10.00	10.65	-
h	0.010	0.029	0.25	0.75	5
L	0.016	0.050	0.40	1.27	6
N	24		24		7
α	0°	8°	0°	8°	-

NOTES:

1. Symbols are defined in the "MO Series Symbol List" in Section 2.2 of Publication Number 95.
2. Dimensioning and tolerancing per ANSI Y14.5M-1982.
3. Dimension "D" does not include mold flash, protrusions or gate burrs. Mold flash, protrusion and gate burrs shall not exceed 0.15mm (0.006 inch) per side.
4. Dimension "E" does not include interlead flash or protrusions. Interlead flash and protrusions shall not exceed 0.25mm (0.010 inch) per side.
5. The chamfer on the body is optional. If it is not present, a visual index feature must be located within the crosshatched area.
6. "L" is the length of terminal for soldering to a substrate.
7. "N" is the number of terminal positions.
8. Terminal numbers are shown for reference only.
9. The lead width "B", as measured 0.36mm (0.014 inch) or greater above the seating plane, shall not exceed a maximum value of 0.61mm (0.024 inch)
10. Controlling dimension: MILLIMETER. Converted inch dimensions are not necessarily exact.

Rev. 0 12/93

All Intersil U.S. products are manufactured, assembled and tested utilizing ISO9000 quality systems. Intersil Corporation's quality certifications can be viewed at www.intersil.com/design/quality

Intersil products are sold by description only. Intersil Corporation reserves the right to make changes in circuit design, software and/or specifications at any time without notice. Accordingly, the reader is cautioned to verify that data sheets are current before placing orders. Information furnished by Intersil is believed to be accurate and reliable. However, no responsibility is assumed by Intersil or its subsidiaries for its use; nor for any infringements of patents or other rights of third parties which may result from its use. No license is granted by implication or otherwise under any patent or patent rights of Intersil or its subsidiaries.

For information regarding Intersil Corporation and its products, see www.intersil.com