

FEATURES

- 250mA Minimum Output Drive Current
- 60MHz Bandwidth, $A_V = 2$, $R_L = 100\Omega$
- 900V/ μ s Slew Rate, $A_V = 2$, $R_L = 50\Omega$
- 0.02% Differential Gain, $A_V = 2$, $R_L = 30\Omega$
- 0.17° Differential Phase, $A_V = 2$, $R_L = 30\Omega$
- High Input Impedance, 10M Ω
- Wide Supply Range, $\pm 5V$ to $\pm 15V$
- Shutdown Mode: $I_S < 200\mu A$
- Adjustable Supply Current
- Stable with $C_L = 10,000pF$

APPLICATIONS

- Video Amplifiers
- Cable Drivers
- RGB Amplifiers
- Test Equipment Amplifiers
- Buffers

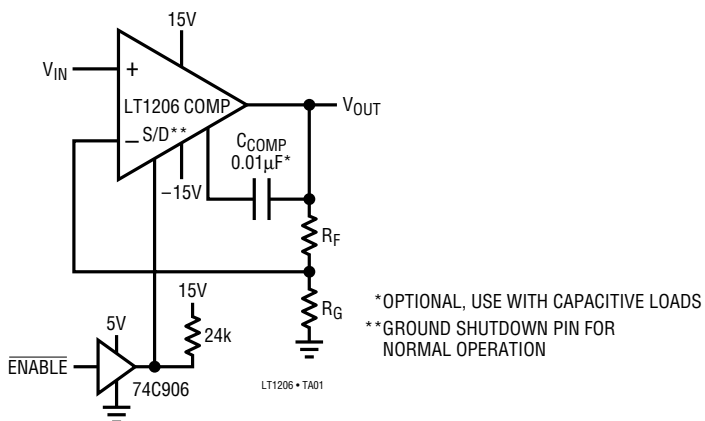
DESCRIPTION

The LT1206 is a current feedback amplifier with high output current drive capability and excellent video characteristics. The LT1206 is stable with large capacitive loads, and can easily supply the large currents required by the capacitive loading. A shutdown feature switches the device into a high impedance, low current mode, reducing dissipation when the device is not in use. For lower bandwidth applications, the supply current can be reduced with a single external resistor. The low differential gain and phase, wide bandwidth, and the 250mA minimum output current drive make the LT1206 well suited to drive multiple cables in video systems.

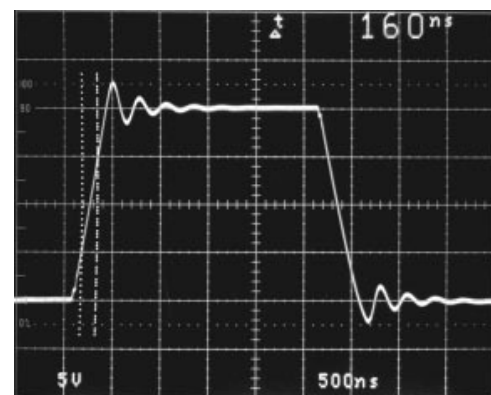
The LT1206 is manufactured on Linear Technology's proprietary complementary bipolar process.

TYPICAL APPLICATIONS

Noninverting Amplifier with Shutdown



Large-Signal Response, $C_L = 10,000pF$



$V_S = \pm 15V$
 $R_L = \infty$
 $R_F = R_G = 3k$

ABSOLUTE MAXIMUM RATINGS

Supply Voltage $\pm 18V$
 Input Current $\pm 15mA$
 Output Short-Circuit Duration (Note 1) Continuous
 Specified Temperature Range (Note 2) $0^{\circ}C$ to $70^{\circ}C$

Operating Temperature Range
 LT1206C $-40^{\circ}C$ to $85^{\circ}C$
 Junction Temperature $150^{\circ}C$
 Storage Temperature Range $-65^{\circ}C$ to $150^{\circ}C$
 Lead Temperature (Soldering, 10 sec) $300^{\circ}C$

PACKAGE/ORDER INFORMATION

<p>N8 PACKAGE 8-LEAD PLASTIC DIP $\theta_{JA} = 100^{\circ}C/W$</p>	<p>ORDER PART NUMBER</p> <p>LT1206CN8**</p>	<p>S8 PACKAGE 8-LEAD PLASTIC SO $\theta_{JA} \approx 60^{\circ}C/W$</p>	<p>ORDER PART NUMBER</p> <p>LT1206CS8**</p> <p>PART MARKING</p> <p>1206</p>
<p>R PACKAGE 7-LEAD PLASTIC DD $\theta_{JA} = 30^{\circ}C/W$</p>	<p>ORDER PART NUMBER</p> <p>LT1206CR**</p>	<p>Y PACKAGE 7-LEAD TO-220 $\theta_{JC} = 5^{\circ}C/W$</p>	<p>ORDER PART NUMBER</p> <p>LT1206CY**</p>

*Ground shutdown pin for normal operation **See Note 2

ELECTRICAL CHARACTERISTICS $V_{CM} = 0, \pm 5V \leq V_S \leq \pm 15V$, pulse tested, $V_{S/D} = 0V$, unless otherwise noted.

SYMBOL	PARAMETER	CONDITIONS	MIN	TYP	MAX	UNITS
V_{OS}	Input Offset Voltage	$T_A = 25^{\circ}C$	●	± 3	± 10 ± 15	mV mV
	Input Offset Voltage Drift		●	10		$\mu V/^{\circ}C$
I_{IN}^{+}	Noninverting Input Current	$T_A = 25^{\circ}C$	●	± 2	± 8 ± 25	μA μA
I_{IN}^{-}	Inverting Input Current	$T_A = 25^{\circ}C$	●	± 10	± 60 ± 100	μA μA
e_n	Input Noise Voltage Density	$f = 10kHz, R_F = 1k, R_G = 10\Omega, R_S = 0\Omega$		3.6		nV/\sqrt{Hz}
$+i_n$	Input Noise Current Density	$f = 10kHz, R_F = 1k, R_G = 10\Omega, R_S = 10k$		2		pA/\sqrt{Hz}
$-i_n$	Input Noise Current Density	$f = 10kHz, R_F = 1k, R_G = 10\Omega, R_S = 10k$		30		pA/\sqrt{Hz}
R_{IN}	Input Resistance	$V_{IN} = \pm 12V, V_S = \pm 15V$	●	1.5	10	$M\Omega$
		$V_{IN} = \pm 2V, V_S = \pm 5V$	●	0.5	5	$M\Omega$
C_{IN}	Input Capacitance	$V_S = \pm 15V$		2		pF
	Input Voltage Range	$V_S = \pm 15V$	●	± 12	± 13.5	V
		$V_S = \pm 5V$	●	± 2	± 3.5	V

ELECTRICAL CHARACTERISTICS $V_{CM} = 0, \pm 5V \leq V_S \leq \pm 15V$, pulse tested, $V_{S/D} = 0V$, unless otherwise noted.

SYMBOL	PARAMETER	CONDITIONS	MIN	TYP	MAX	UNITS	
CMRR	Common-Mode Rejection Ratio	$V_S = \pm 15V, V_{CM} = \pm 12V$	●	55	62	dB	
		$V_S = \pm 5V, V_{CM} = \pm 2V$	●	50	60	dB	
	Inverting Input Current Common-Mode Rejection	$V_S = \pm 15V, V_{CM} = \pm 12V$	●		0.1	10	$\mu A/V$
		$V_S = \pm 5V, V_{CM} = \pm 2V$	●		0.1	10	$\mu A/V$
PSRR	Power Supply Rejection Ratio	$V_S = \pm 5V$ to $\pm 15V$	●	60	77	dB	
	Noninverting Input Current Power Supply Rejection	$V_S = \pm 5V$ to $\pm 15V$	●		30	500	nA/V
		$V_S = \pm 5V$ to $\pm 15V$	●		0.7	5	$\mu A/V$
A_V	Large-Signal Voltage Gain	$V_S = \pm 15V, V_{OUT} = \pm 10V, R_L = 50\Omega$	●	55	71	dB	
		$V_S = \pm 5V, V_{OUT} = \pm 2V, R_L = 25\Omega$	●	55	68	dB	
R_{OL}	Transresistance, $\Delta V_{OUT}/\Delta I_{IN}^-$	$V_S = \pm 15V, V_{OUT} = \pm 10V, R_L = 50\Omega$	●	100	260	k Ω	
		$V_S = \pm 5V, V_{OUT} = \pm 2V, R_L = 25\Omega$	●	75	200	k Ω	
V_{OUT}	Maximum Output Voltage Swing	$V_S = \pm 15V, R_L = 50\Omega, T_A = 25^\circ C$	●	± 11.5	± 12.5	V	
			●	± 10.0		V	
		$V_S = \pm 5V, R_L = 25\Omega, T_A = 25^\circ C$	●	± 2.5	± 3.0	V	
			●	± 2.0		V	
I_{OUT}	Maximum Output Current	$R_L = 1\Omega$	●	250	500	1200	mA
I_S	Supply Current	$V_S = \pm 15V, V_{S/D} = 0V, T_A = 25^\circ C$	●		20	30	mA
			●			35	mA
		Supply Current, $R_{S/D} = 51k$ (Note 3)			12	17	mA
		Positive Supply Current, Shutdown				200	μA
	Output Leakage Current, Shutdown				10	μA	
SR	Slew Rate (Note 4)	$A_V = 2, T_A = 25^\circ C$		400	900	V/ μs	
		Differential Gain (Note 5)			0.02	%	
		Differential Phase (Note 5)			0.17	DEG	
BW	Small-Signal Bandwidth	$V_S = \pm 15V$, Peaking $\leq 0.5dB$ $R_F = R_G = 620\Omega, R_L = 100\Omega$			60	MHz	
		$V_S = \pm 15V$, Peaking $\leq 0.5dB$ $R_F = R_G = 649\Omega, R_L = 50\Omega$			52	MHz	
		$V_S = \pm 15V$, Peaking $\leq 0.5dB$ $R_F = R_G = 698\Omega, R_L = 30\Omega$			43	MHz	
		$V_S = \pm 15V$, Peaking $\leq 0.5dB$ $R_F = R_G = 825\Omega, R_L = 10\Omega$			27	MHz	

The ● denotes specifications which apply for $0^\circ C \leq T_A \leq 70^\circ C$.
Note 1: Applies to short circuits to ground only. A short circuit between the output and either supply may permanently damage the part when operated on supplies greater than $\pm 10V$.
Note 2: Commercial grade parts are designed to operate over the temperature range of $-40^\circ C$ to $85^\circ C$ but are neither tested nor guaranteed

beyond $0^\circ C$ to $70^\circ C$. Industrial grade parts tested over $-40^\circ C$ to $85^\circ C$ are available on special request. Consult factory.
Note 3: $R_{S/D}$ is connected between the shutdown pin and ground.
Note 4: Slew rate is measured at $\pm 5V$ on a $\pm 10V$ output signal while operating on $\pm 15V$ supplies with $R_F = 1.5k, R_G = 1.5k$ and $R_L = 400\Omega$.
Note 5: NTSC composite video with an output level of $2V$.

SMALL-SIGNAL BANDWIDTH

$I_S = 20\text{mA}$ Typical, Peaking $\leq 0.1\text{dB}$

A_V	R_L	R_F	R_G	-3dB BW (MHz)	-0.1dB BW (MHz)
$V_S = \pm 5\text{V}, R_{SD} = 0\Omega$					
-1	150	562	562	48	21.4
	30	649	649	34	17
	10	732	732	22	12.5
1	150	619	-	54	22.3
	30	715	-	36	17.5
	10	806	-	22.4	11.5
2	150	576	576	48	20.7
	30	649	649	35	18.1
	10	750	750	22.4	11.7
10	150	442	48.7	40	19.2
	30	511	56.2	31	16.5
	10	649	71.5	20	10.2

A_V	R_L	R_F	R_G	-3dB BW (MHz)	-0.1dB BW (MHz)
$V_S = \pm 15\text{V}, R_{SD} = 0\Omega$					
-1	150	681	681	50	19.2
	30	768	768	35	17
	10	887	887	24	12.3
1	150	768	-	66	22.4
	30	909	-	37	17.5
	10	1k	-	23	12
2	150	665	665	55	23
	30	787	787	36	18.5
	10	931	931	22.5	11.8
10	150	487	536	44	20.7
	30	590	64.9	33	17.5
	10	768	84.5	20.7	10.8

$I_S = 10\text{mA}$ Typical, Peaking $\leq 0.1\text{dB}$

A_V	R_L	R_F	R_G	-3dB BW (MHz)	-0.1dB BW (MHz)
$V_S = \pm 5\text{V}, R_{SD} = 10.2\text{k}$					
-1	150	576	576	35	17
	30	681	681	25	12.5
	10	750	750	16.4	8.7
1	150	665	-	37	17.5
	30	768	-	25	12.6
	10	845	-	16.5	8.2
2	150	590	590	35	16.8
	30	681	681	25	13.4
	10	768	768	16.2	8.1
10	150	301	33.2	31	15.6
	30	392	43.2	23	11.9
	10	499	54.9	15	7.8

A_V	R_L	R_F	R_G	-3dB BW (MHz)	-0.1dB BW (MHz)
$V_S = \pm 15\text{V}, R_{SD} = 60.4\text{k}$					
-1	150	634	634	41	19.1
	30	768	768	26.5	14
	10	866	866	17	9.4
1	150	768	-	44	18.8
	30	909	-	28	14.4
	10	1k	-	16.8	8.3
2	150	649	649	40	18.5
	30	787	787	27	14.1
	10	931	931	16.5	8.1
10	150	301	33.2	33	15.6
	30	402	44.2	25	13.3
	10	590	64.9	15.3	7.4

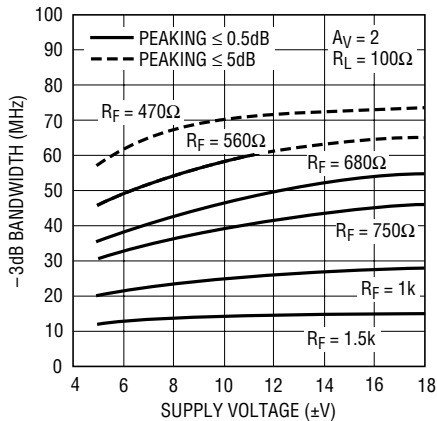
$I_S = 5\text{mA}$ Typical, Peaking $\leq 0.1\text{dB}$

A_V	R_L	R_F	R_G	-3dB BW (MHz)	-0.1dB BW (MHz)
$V_S = \pm 5\text{V}, R_{SD} = 22.1\text{k}$					
-1	150	604	604	21	10.5
	30	715	715	14.6	7.4
	10	681	681	10.5	6.0
1	150	768	-	20	9.6
	30	866	-	14.1	6.7
	10	825	-	9.8	5.1
2	150	634	634	20	9.6
	30	750	750	14.1	7.2
	10	732	732	9.6	5.1
10	150	100	11.1	16.2	5.8
	30	100	11.1	13.4	7.0
	10	100	11.1	9.5	4.7

A_V	R_L	R_F	R_G	-3dB BW (MHz)	-0.1dB BW (MHz)
$V_S = \pm 15\text{V}, R_{SD} = 121\text{k}$					
-1	150	619	619	25	12.5
	30	787	787	15.8	8.5
	10	825	825	10.5	5.4
1	150	845	-	23	10.6
	30	1k	-	15.3	7.6
	10	1k	-	10	5.2
2	150	681	681	23	10.2
	30	845	845	15	7.7
	10	866	866	10	5.4
10	150	100	11.1	15.9	4.5
	30	100	11.1	13.6	6
	10	100	11.1	9.6	4.5

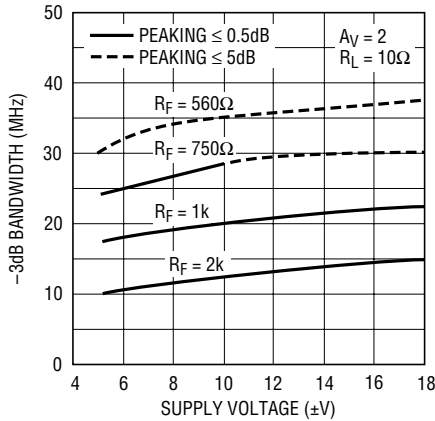
TYPICAL PERFORMANCE CHARACTERISTICS

Bandwidth vs Supply Voltage



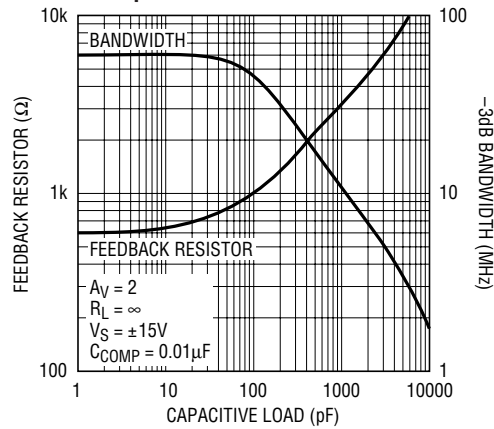
LT1206 • TPC01

Bandwidth vs Supply Voltage



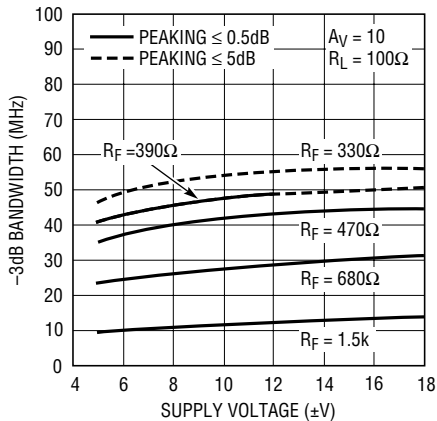
LT1206 • TPC02

Bandwidth and Feedback Resistance vs Capacitive Load for 0.5dB Peak



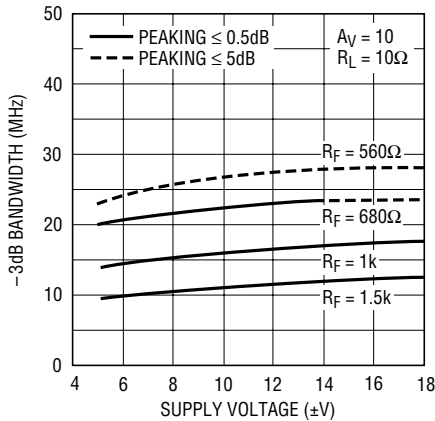
LT1206 • TPC03

Bandwidth vs Supply Voltage



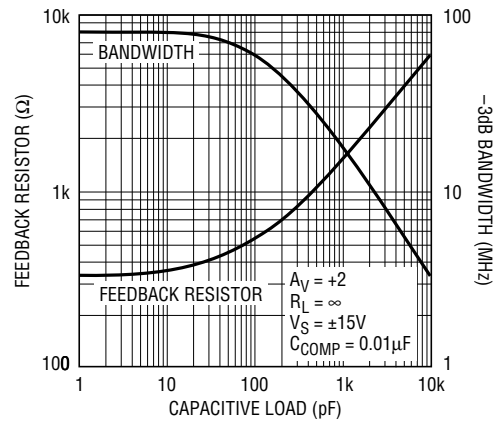
LT1206 • TPC04

Bandwidth vs Supply Voltage



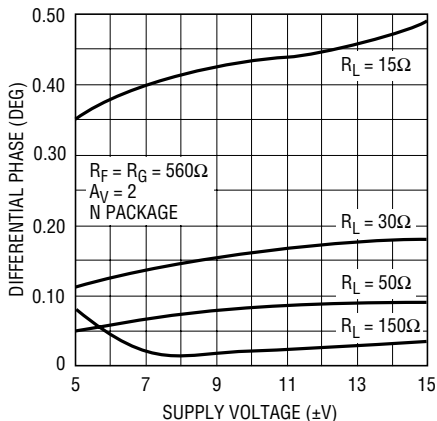
LT1206 • TPC05

Bandwidth and Feedback Resistance vs Capacitive Load for 5dB Peak



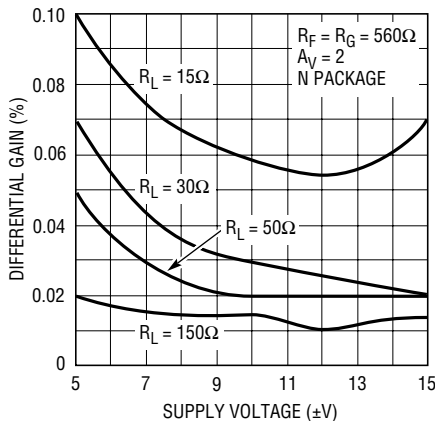
LT1206 • TPC06

Differential Phase vs Supply Voltage



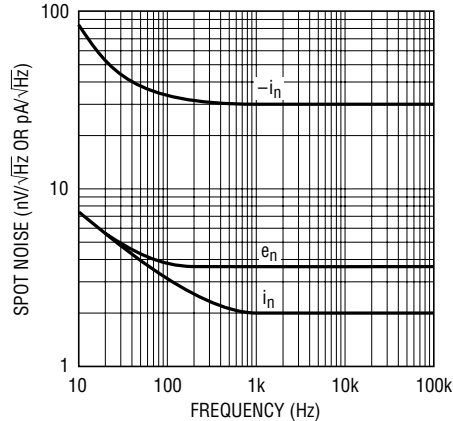
LT1206 • TPC07

Differential Gain vs Supply Voltage



LT1206 • TPC08

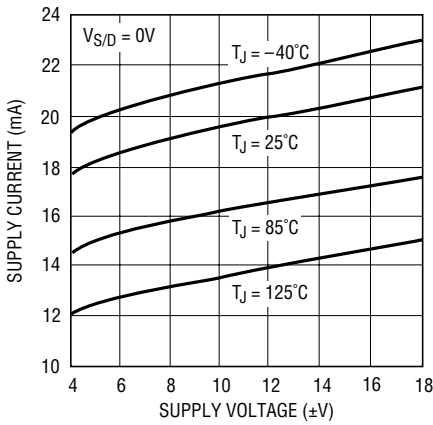
Spot Noise Voltage and Current vs Frequency



LT1206 • TPC09

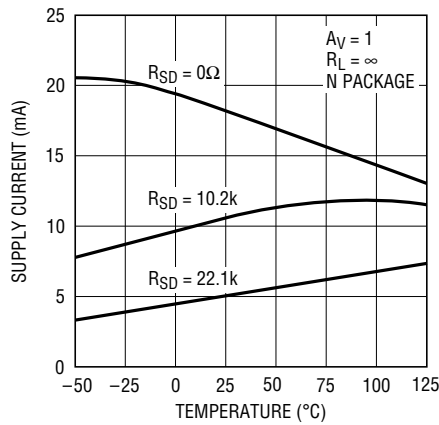
TYPICAL PERFORMANCE CHARACTERISTICS

Supply Current vs Supply Voltage



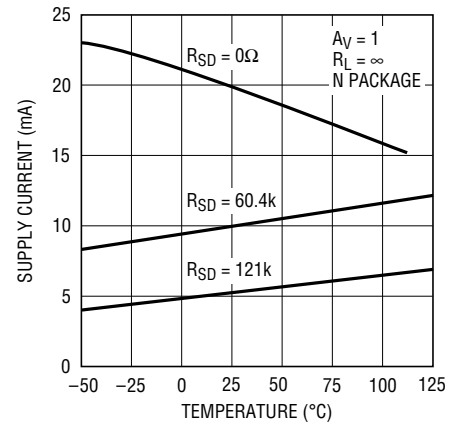
LT1206 • TPC10

Supply Current vs Ambient Temperature, $V_S = \pm 5V$



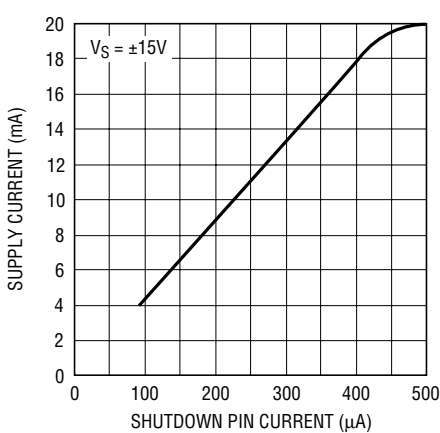
LT1206 • TPC11

Supply Current vs Ambient Temperature, $V_S = \pm 15V$



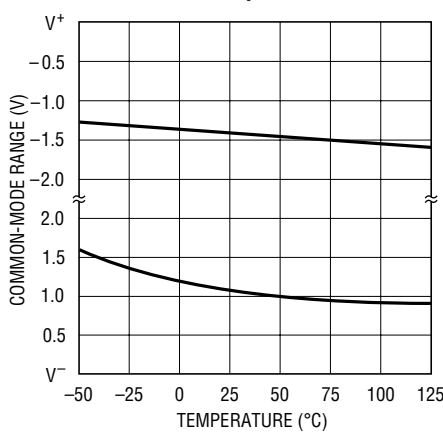
LT1206 • TPC12

Supply Current vs Shutdown Pin Current



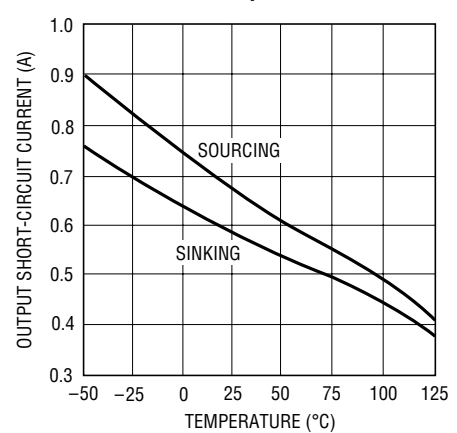
LT1206 • TPC11

Input Common-Mode Limit vs Junction Temperature



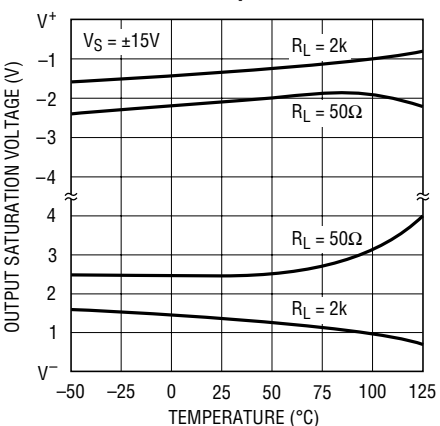
LT1206 • TPC14

Output Short-Circuit Current vs Junction Temperature



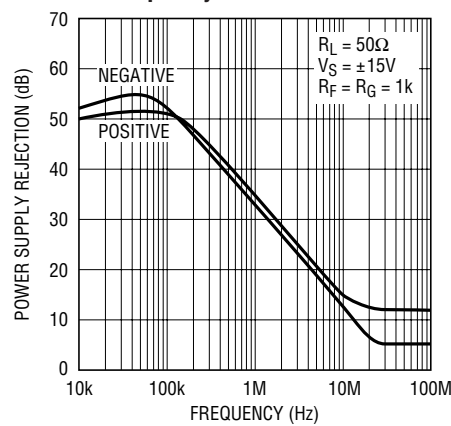
LT1206 • TPC15

Output Saturation Voltage vs Junction Temperature



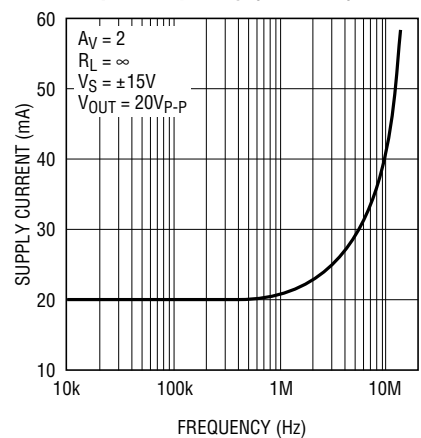
LT1206 • TPC16

Power Supply Rejection Ratio vs Frequency



LT1206 • TPC17

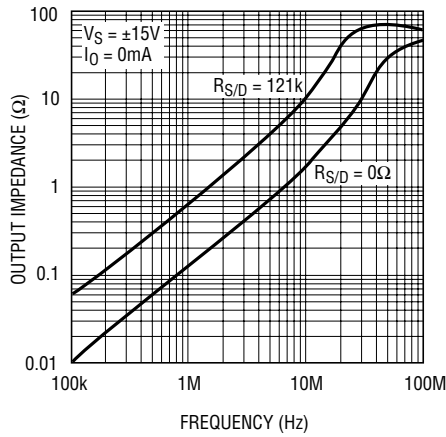
Supply Current vs Large Signal Output Frequency (No Load)



LT1206 • TPC18

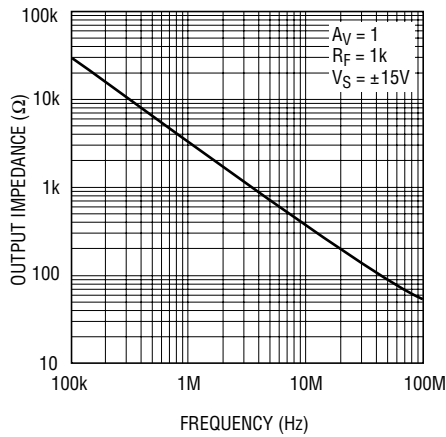
TYPICAL PERFORMANCE CHARACTERISTICS

Output Impedance vs Frequency



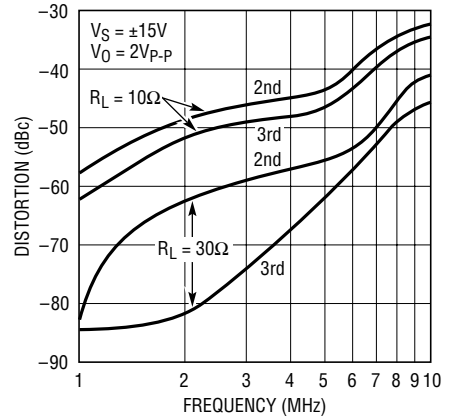
LT1206 • TPC19

Output Impedance in Shutdown vs Frequency



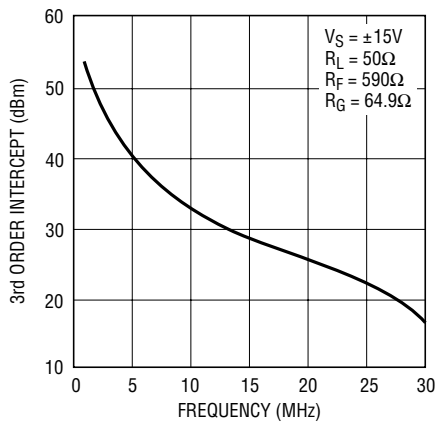
LT1206 • TPC20

2nd and 3rd Harmonic Distortion vs Frequency



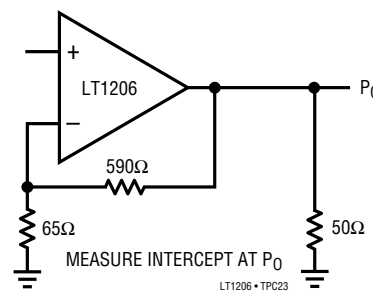
LT1206 • TPC21

3rd Order Intercept vs Frequency



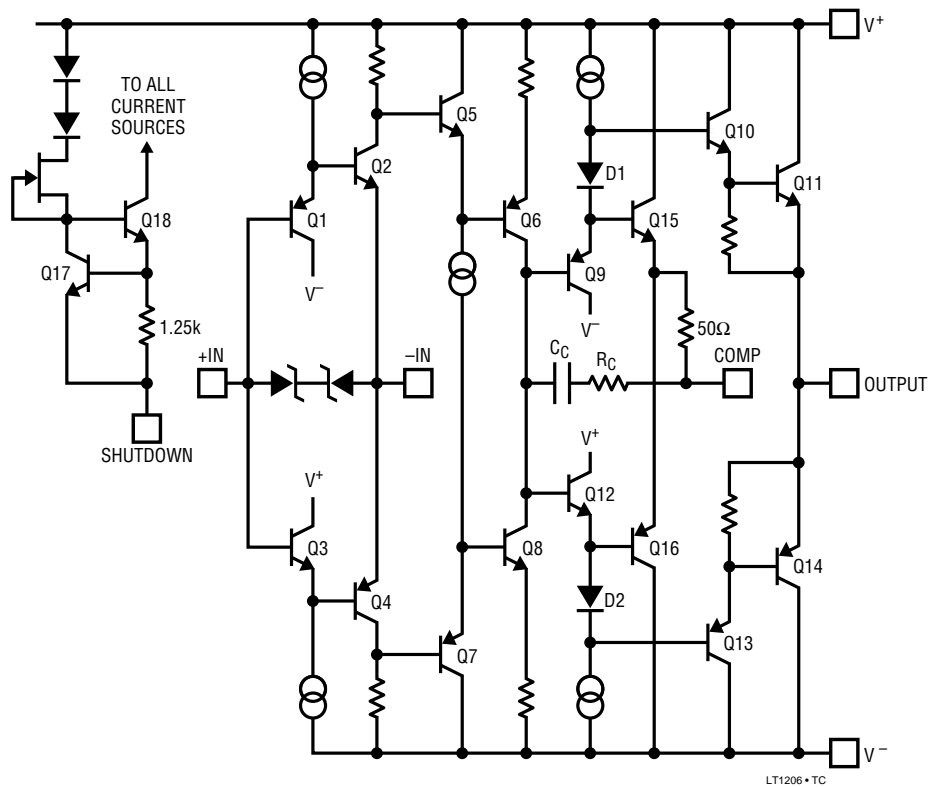
LT1206 • TPC22

Test Circuit for 3rd Order Intercept



LT1206 • TPC23

SIMPLIFIED SCHEMATIC



LT1206 • TC

APPLICATIONS INFORMATION

The LT1206 is a current feedback amplifier with high output current drive capability. The device is stable with large capacitive loads and can easily supply the high currents required by capacitive loads. The amplifier will drive low impedance loads such as cables with excellent linearity at high frequencies.

Feedback Resistor Selection

The optimum value for the feedback resistors is a function of the operating conditions of the device, the load impedance and the desired flatness of response. The Typical AC Performance tables give the values which result in the highest 0.1dB and 0.5dB bandwidths for various resistive loads and operating conditions. If this level of flatness is not required, a higher bandwidth can be obtained by use of a lower feedback resistor. The characteristic curves of Bandwidth vs Supply Voltage indicate feedback resistors for peaking up to 5dB. These curves use a solid line when the response has less than 0.5dB of peaking and a dashed

line when the response has 0.5dB to 5dB of peaking. The curves stop where the response has more than 5dB of peaking.

For resistive loads, the COMP pin should be left open (see section on capacitive loads).

Capacitive Loads

The LT1206 includes an optional compensation network for driving capacitive loads. This network eliminates most of the output stage peaking associated with capacitive loads, allowing the frequency response to be flattened. Figure 1 shows the effect of the network on a 200pF load. Without the optional compensation, there is a 5dB peak at 40MHz caused by the effect of the capacitance on the output stage. Adding a 0.01μF bypass capacitor between the output and the COMP pins connects the compensation and completely eliminates the peaking. A lower value feedback resistor can now be used, resulting in a response

APPLICATIONS INFORMATION

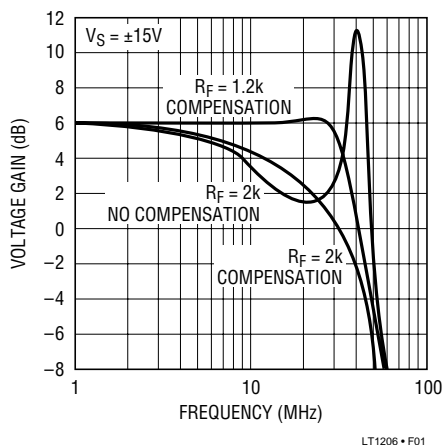


Figure 1.

which is flat to 0.35dB to 30MHz. The network has the greatest effect for C_L in the range of 0pF to 1000pF. The graph of Maximum Capacitive Load vs Feedback Resistor can be used to select the appropriate value of feedback resistor. The values shown are for 0.5dB and 5dB peaking at a gain of 2 with no resistive load. This is a worst case condition, as the amplifier is more stable at higher gains and with some resistive load in parallel with the capacitance. Also shown is the -3 dB bandwidth with the suggested feedback resistor vs the load capacitance.

Although the optional compensation works well with capacitive loads, it simply reduces the bandwidth when it is connected with resistive loads. For instance, with a 30Ω load, the bandwidth drops from 55MHz to 35MHz when the compensation is connected. Hence, the compensation was made optional. To disconnect the optional compensation, leave the COMP pin open.

Shutdown/Current Set

If the shutdown feature is not used, the SHUTDOWN pin must be connected to ground or V^- .

The shutdown pin can be used to either turn off the biasing for the amplifier, reducing the quiescent current to less than $200\mu\text{A}$, or to control the quiescent current in normal operation.

The total bias current in the LT1206 is controlled by the current flowing out of the shutdown pin. When the shutdown pin is open or driven to the positive supply, the part is shut down. In the shutdown mode, the output looks like

a 40pF capacitor and the supply current is typically $100\mu\text{A}$. The shutdown pin is referenced to the positive supply through an internal bias circuit (see the simplified schematic). An easy way to force shutdown is to use open drain (collector) logic. The circuit shown in Figure 2 uses a 74C904 buffer to interface between 5V logic and the LT1206. The switching time between the active and shutdown states is less than $1\mu\text{s}$. A 24k pull-up resistor speeds up the turn-off time and insures that the LT1206 is completely turned off. Because the pin is referenced to the positive supply, the logic used should have a breakdown voltage of greater than the positive supply voltage. No other circuitry is necessary as the internal circuit limits the shutdown pin current to about $500\mu\text{A}$. Figure 3 shows the resulting waveforms.

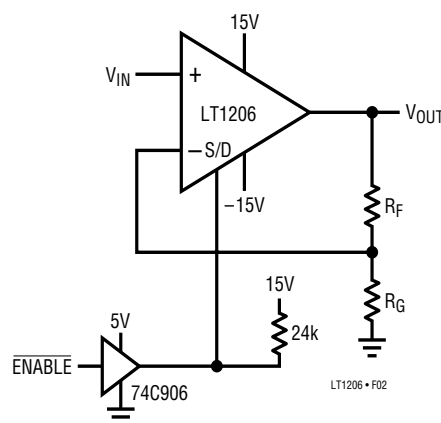
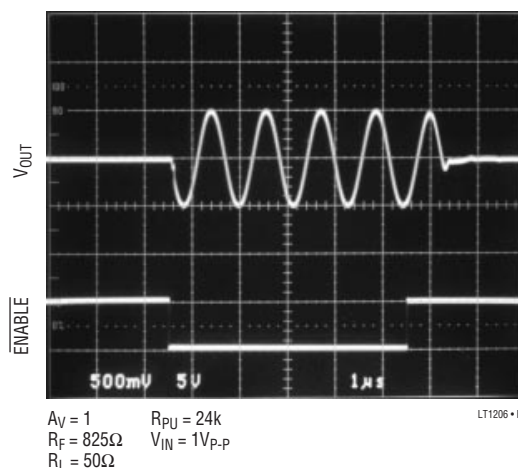


Figure 2. Shutdown Interface



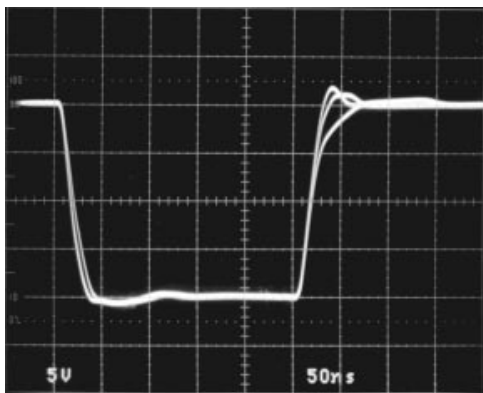
$A_V = 1$ $R_{PU} = 24k$
 $R_F = 825\Omega$ $V_{IN} = 1V_{P-P}$
 $R_L = 50\Omega$

Figure 3. Shutdown Operation

APPLICATIONS INFORMATION

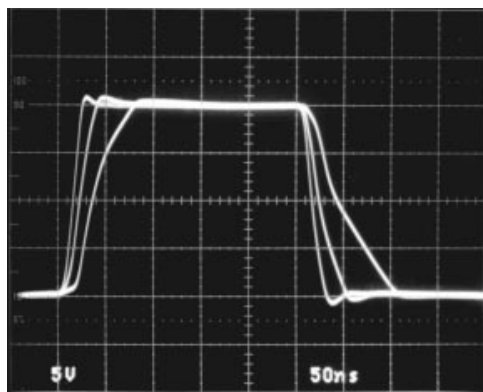
For applications where the full bandwidth of the amplifier is not required, the quiescent current of the device may be reduced by connecting a resistor from the shutdown pin to ground. The quiescent current will be approximately 40 times the current in the shutdown pin. The voltage across the resistor in this condition is $V^+ - 3V_{BE}$. For example, a 60k resistor will set the quiescent supply current to 10mA with $V_S = \pm 15V$.

The photos (Figures 4a and 4b) show the effect of reducing the quiescent supply current on the large-signal response. The quiescent current can be reduced to 5mA in the inverting configuration without much change in response. In noninverting mode, however, the slew rate is reduced as the quiescent current is reduced.



$R_F = 750\Omega$ $I_Q = 5mA, 10mA, 20mA$ $R_L = 50\Omega$ $V_S = \pm 15V$ LT1206 • F04a

Figure 4a. Large-Signal Response vs I_Q , $A_V = -1$

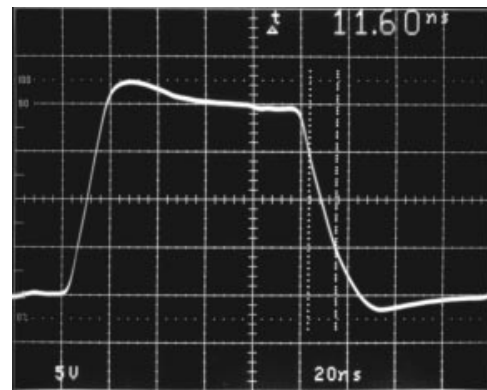


$R_F = 750\Omega$ $I_Q = 5mA, 10mA, 20mA$ $R_L = 50\Omega$ $V_S = \pm 15V$ LT1206 • F04b

Figure 4b. Large-Signal Response vs I_Q , $A_V = 2$

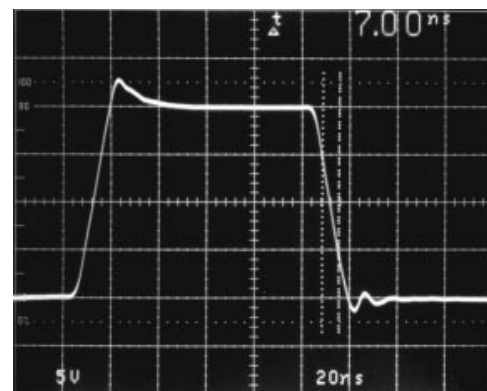
Slew Rate

Unlike a traditional op amp, the slew rate of a current feedback amplifier is not independent of the amplifier gain configuration. There are slew rate limitations in both the input stage and the output stage. In the inverting mode, and for higher gains in the noninverting mode, the signal amplitude on the input pins is small and the overall slew rate is that of the output stage. The input stage slew rate is related to the quiescent current and will be reduced as the supply current is reduced. The output slew rate is set by the value of the feedback resistors and the internal capacitance. Larger feedback resistors will reduce the slew rate as will lower supply voltages, similar to the way the bandwidth is reduced. The photos (Figures 5a, 5b and 5c) show the large-signal response of the LT1206 for various gain configurations. The slew rate varies from 860V/ μs for a gain of 1, to 1400V/ μs for a gain of -1 .



$R_F = 825\Omega$ $V_S = \pm 15V$ $R_L = 50\Omega$ LT1206 • F05a

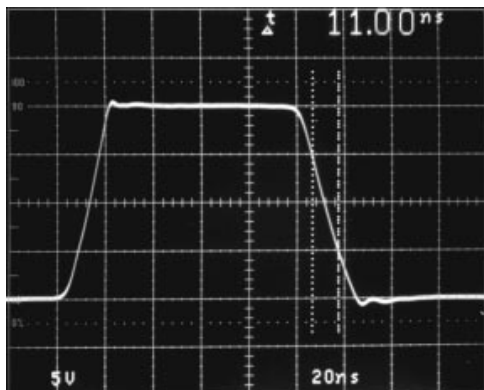
Figure 5a. Large-Signal Response, $A_V = 1$



$R_F = R_G = 750\Omega$ $V_S = \pm 15V$ $R_L = 50\Omega$ LT1206 • F05b

Figure 5b. Large-Signal Response, $A_V = -1$

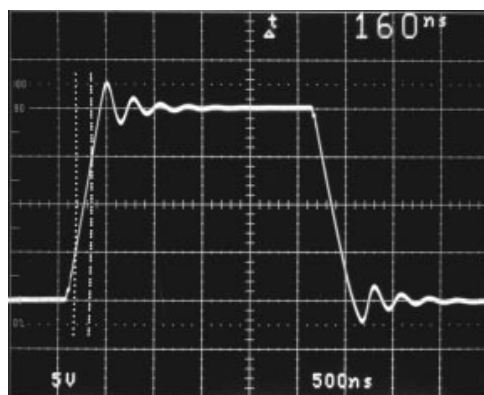
APPLICATIONS INFORMATION



$R_F = 750\Omega$
 $R_L = 50\Omega$ LT1206 • F04c

Figure 5c. Large-Signal Response, $A_V = 2$

When the LT1206 is used to drive capacitive loads, the available output current can limit the overall slew rate. In the fastest configuration, the LT1206 is capable of a slew rate of over 1V/ns. The current required to slew a capacitor at this rate is 1mA per picofarad of capacitance, so 10,000pF would require 10A! The photo (Figure 6) shows the large signal behavior with $C_L = 10,000\text{pF}$. The slew rate is about 60V/ μs , determined by the current limit of 600mA.



$V_S = \pm 15\text{V}$ $R_L = \infty$
 $R_F = R_G = 3\text{k}$ LT1206 • F06

Figure 6. Large-Signal Response, $C_L = 10,000\text{pF}$

Differential Input Signal Swing

The differential input swing is limited to about $\pm 6\text{V}$ by an ESD protection device connected between the inputs. In normal operation, the differential voltage between the input pins is small, so this clamp has no effect; however, in the shutdown mode the differential swing can be the same as the input swing. The clamp voltage will then set

the maximum allowable input voltage. To allow for some margin, it is recommended that the input signal be less than $\pm 5\text{V}$ when the device is shut down.

Capacitance on the Inverting Input

Current feedback amplifiers require resistive feedback from the output to the inverting input for stable operation. Take care to minimize the stray capacitance between the output and the inverting input. Capacitance on the inverting input to ground will cause peaking in the frequency response (and overshoot in the transient response), but it does not degrade the stability of the amplifier.

Power Supplies

The LT1206 will operate from single or split supplies from $\pm 5\text{V}$ (10V total) to $\pm 15\text{V}$ (30V total). It is not necessary to use equal value split supplies, however the offset voltage and inverting input bias current will change. The offset voltage changes about 500 μV per volt of supply mismatch. The inverting bias current can change as much as 5 μA per volt of supply mismatch, though typically the change is less than 0.5 μA per volt.

Thermal Considerations

The LT1206 contains a thermal shutdown feature which protects against excessive internal (junction) temperature. If the junction temperature of the device exceeds the protection threshold, the device will begin cycling between normal operation and an off state. The cycling is not harmful to the part. The thermal cycling occurs at a slow rate, typically 10ms to several seconds, which depends on the power dissipation and the thermal time constants of the package and heat sinking. Raising the ambient temperature until the device begins thermal shutdown gives a good indication of how much margin there is in the thermal design.

For surface mount devices heat sinking is accomplished by using the heat spreading capabilities of the PC board and its copper traces. Experiments have shown that the heat spreading copper layer does not need to be electrically connected to the tab of the device. The PCB material can be very effective at transmitting heat between the pad area attached to the tab of the device, and a ground or

APPLICATIONS INFORMATION

power plane layer either inside or on the opposite side of the board. Although the actual thermal resistance of the PCB material is high, the length/area ratio of the thermal resistance between the layer is small. Copper board stiffeners and plated through holes can also be used to spread the heat generated by the device.

Tables 1 and 2 list thermal resistance for each package. For the TO-220 package, thermal resistance is given for junction-to-case only since this package is usually mounted to a heat sink. Measured values of thermal resistance for several different board sizes and copper areas are listed for each surface mount package. All measurements were taken in still air on 3/32" FR-4 board with 1oz copper. This data can be used as a rough guideline in estimating thermal resistance. The thermal resistance for each application will be affected by thermal interactions with other components as well as board size and shape.

Table 1. R Package, 7-Lead DD

COPPER AREA		BOARD AREA	THERMAL RESISTANCE (JUNCTION-TO-AMBIENT)
TOPSIDE*	BACKSIDE		
2500 sq. mm	2500 sq. mm	2500 sq. mm	25°C/W
1000 sq. mm	2500 sq. mm	2500 sq. mm	27°C/W
125 sq. mm	2500 sq. mm	2500 sq. mm	35°C/W

*Tab of device attached to topside copper

Table 2. S8 Package, 8-Lead Plastic SOIC

COPPER AREA		BOARD AREA	THERMAL RESISTANCE (JUNCTION-TO-AMBIENT)
TOPSIDE*	BACKSIDE		
2500 sq. mm	2500 sq. mm	2500 sq. mm	60°C/W
1000 sq. mm	2500 sq. mm	2500 sq. mm	62°C/W
225 sq. mm	2500 sq. mm	2500 sq. mm	65°C/W
100 sq. mm	2500 sq. mm	2500 sq. mm	69°C/W
100 sq. mm	1000 sq. mm	2500 sq. mm	73°C/W
100 sq. mm	225 sq. mm	2500 sq. mm	80°C/W
100 sq. mm	100 sq. mm	2500 sq. mm	83°C/W

*Pins 1 and 8 attached to topside copper

Y Package, 7-Lead TO-220

Thermal Resistance (Junction-to-Case) = 5°C/W

N8 Package, 8-Lead DIP

Thermal Resistance (Junction-to-Ambient) = 100°C/W

Calculating Junction Temperature

The junction temperature can be calculated from the equation:

$$T_J = (P_D \times \theta_{JA}) + T_A$$

where:

T_J = Junction Temperature

T_A = Ambient Temperature

P_D = Device Dissipation

θ_{JA} = Thermal Resistance (Junction-to Ambient)

As an example, calculate the junction temperature for the circuit in Figure 7 for the N8, S8, and R packages assuming a 70°C ambient temperature.

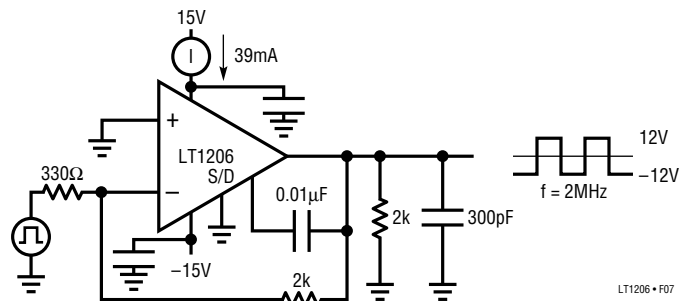


Figure 7. Thermal Calculation Example

The device dissipation can be found by measuring the supply currents, calculating the total dissipation, and then subtracting the dissipation in the load and feedback network.

$$P_D = (39\text{mA} \times 30\text{V}) - (12\text{V})^2 / (2\text{k}\Omega || 2\text{k}\Omega) = 1.03\text{W}$$

Then:

$$T_J = (1.03\text{W} \times 100^\circ\text{C/W}) + 70^\circ\text{C} = 173^\circ\text{C}$$

for the N8 package

$$T_J = (1.03\text{W} \times 65^\circ\text{C/W}) + 70^\circ\text{C} = 137^\circ\text{C}$$

for the S8 with 225 sq. mm topside heat sinking

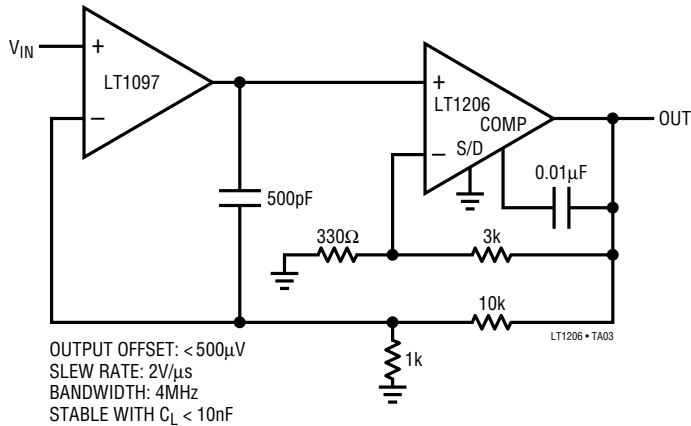
$$T_J = (1.03\text{W} \times 35^\circ\text{C/W}) + 70^\circ\text{C} = 106^\circ\text{C}$$

for the R package with 100 sq. mm topside heat sinking

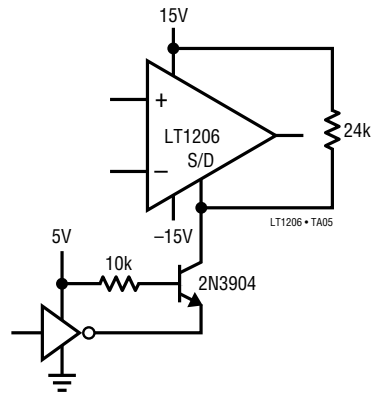
Since the Maximum Junction Temperature is 150°C, the N8 package is clearly unacceptable. Both the S8 and R packages are usable.

TYPICAL APPLICATIONS

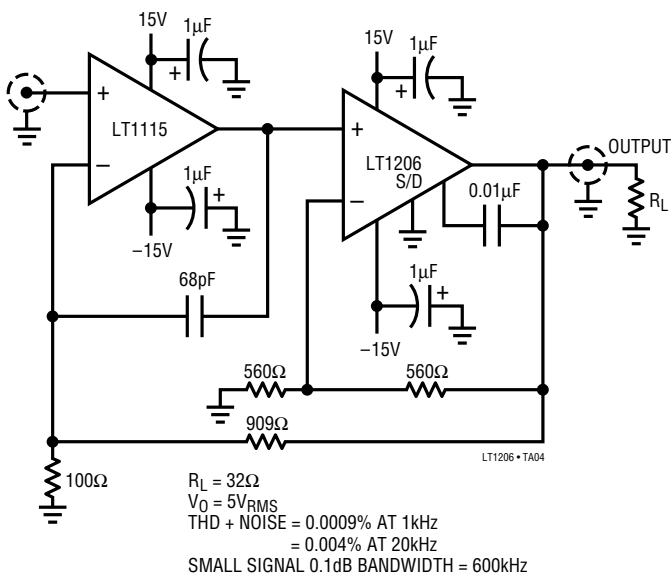
Precision $\times 10$ Hi Current Amplifier



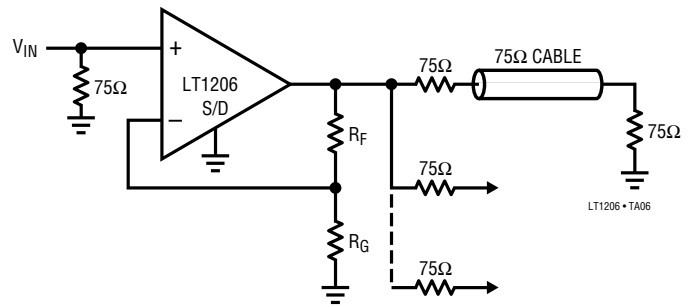
CMOS Logic to Shutdown Interface



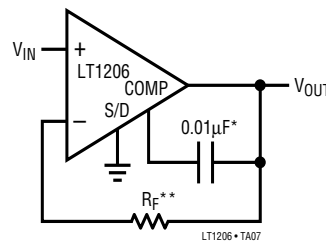
Low Noise $\times 10$ Buffered Line Driver



Distribution Amplifier



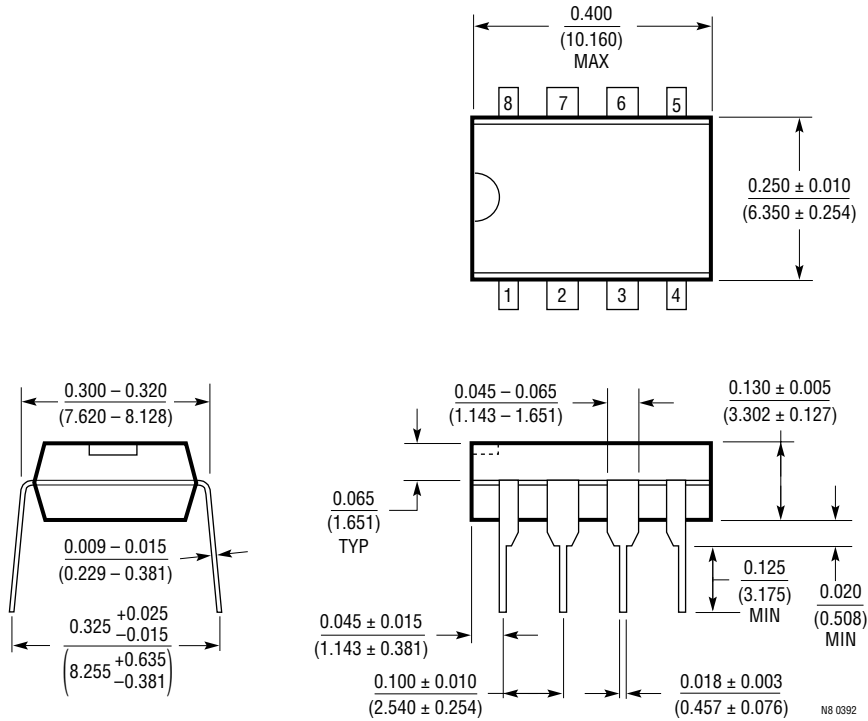
Buffer $A_V = 1$



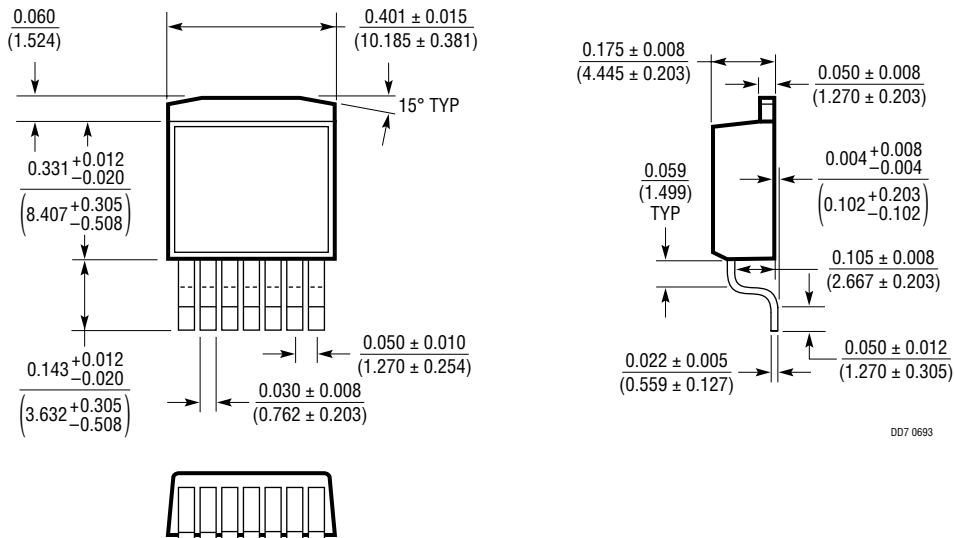
*OPTIONAL, USE WITH CAPACITIVE LOADS
 **VALUE OF R_F DEPENDS ON SUPPLY VOLTAGE AND LOADING. SELECT FROM TYPICAL AC PERFORMANCE TABLE OR DETERMINE EMPIRICALLY

PACKAGE DESCRIPTION Dimensions in inches (millimeters) unless otherwise noted.

**N8 Package
8-Lead Plastic DIP**

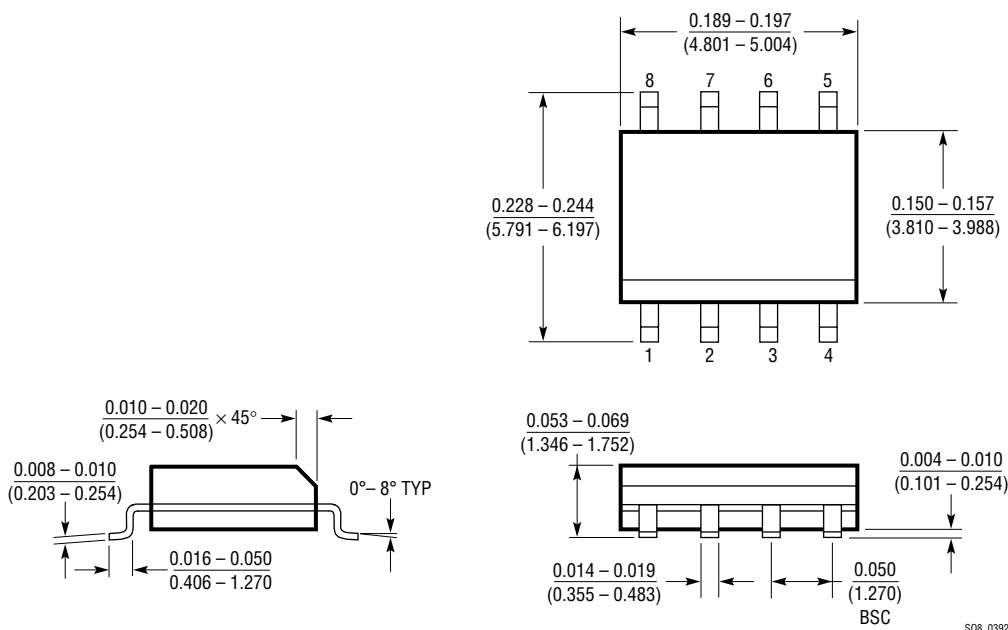


**R Package
7-Lead Plastic DD**

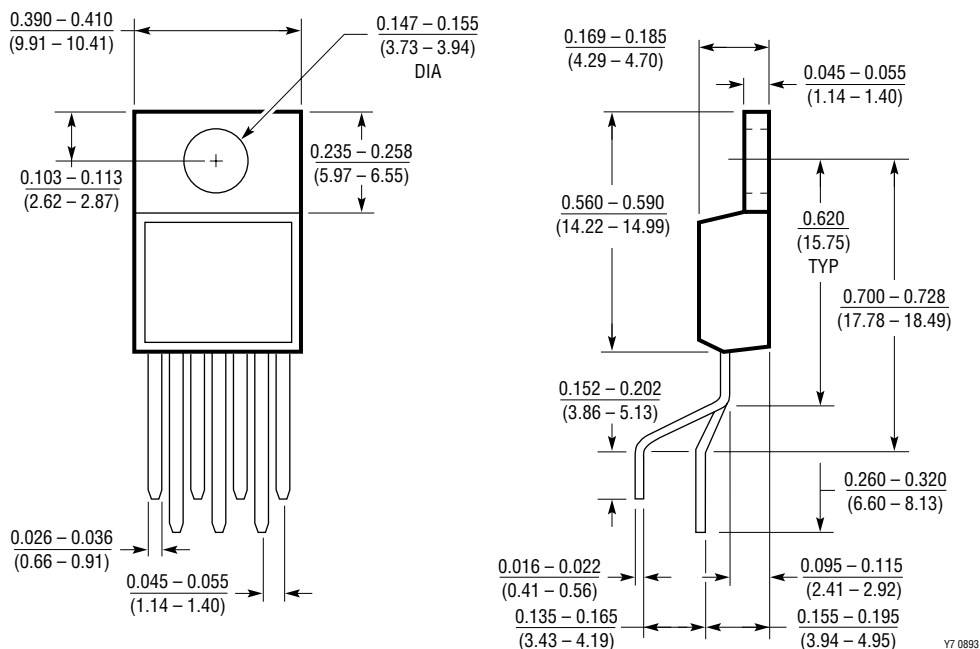


PACKAGE DESCRIPTION Dimensions in inches (millimeters) unless otherwise noted.

**S8 Package
8-Lead Plastic SOIC**



**Y Package
7-Lead TO-220**



U.S. Area Sales Offices

NORTHEAST REGION

Linear Technology Corporation
 One Oxford Valley
 2300 E. Lincoln Hwy., Suite 306
 Langhorne, PA 19047
 Phone: (215) 757-8578
 FAX: (215) 757-5631

Linear Technology Corporation

266 Lowell St., Suite B-8
 Wilmington, MA 01887
 Phone: (508) 658-3881
 FAX: (508) 658-2701

SOUTHEAST REGION

Linear Technology Corporation
 17060 Dallas Parkway
 Suite 208
 Dallas, TX 75248
 Phone: (214) 733-3071
 FAX: (214) 380-5138

CENTRAL REGION

Linear Technology Corporation
 Chesapeake Square
 229 Mitchell Court, Suite A-25
 Addison, IL 60101
 Phone: (708) 620-6910
 FAX: (708) 620-6977

SOUTHWEST REGION

Linear Technology Corporation
 22141 Ventura Blvd.
 Suite 206
 Woodland Hills, CA 91364
 Phone: (818) 703-0835
 FAX: (818) 703-0517

NORTHWEST REGION

Linear Technology Corporation
 782 Sycamore Dr.
 Milpitas, CA 95035
 Phone: (408) 428-2050
 FAX: (408) 432-6331

International Sales Offices

FRANCE

Linear Technology S.A.R.L.
 Immeuble "Le Quartz"
 58 Chemin de la Justice
 92290 Chatenay Malabry
 France
 Phone: 33-1-41079555
 FAX: 33-1-46314613

KOREA

Linear Technology Korea Branch
 Namsong Building, #505
 Itaewon-Dong 260-199
 Yongsan-Ku, Seoul
 Korea
 Phone: 82-2-792-1617
 FAX: 82-2-792-1619

TAIWAN

Linear Technology Corporation
 Rm. 801, No. 46, Sec. 2
 Chung Shan N. Rd.
 Taipei, Taiwan, R.O.C.
 Phone: 886-2-521-7575
 FAX: 886-2-562-2285

GERMANY

Linear Technonlogy GMBH
 Untere Hauptstr. 9
 D-85386 Eching
 Germany
 Phone: 49-89-3197410
 FAX: 49-89-3194821

SINGAPORE

Linear Technology Pte. Ltd.
 101 Boon Keng Road
 #02-15 Kallang Ind. Estates
 Singapore 1233
 Phone: 65-293-5322
 FAX: 65-292-0398

UNITED KINGDOM

Linear Technology (UK) Ltd.
 The Coliseum, Riverside Way
 Camberley, Surrey GU15 3YL
 United Kingdom
 Phone: 44-276-677676
 FAX: 44-276-64851

JAPAN

Linear Technology KK
 5F YZ Bldg.
 4-4-12 Iidabashi, Chiyoda-Ku
 Tokyo, 102 Japan
 Phone: 81-3-3237-7891
 FAX: 81-3-3237-8010

World Headquarters

Linear Technology Corporation
 1630 McCarthy Blvd.
 Milpitas, CA 95035-7487
 Phone: (408) 432-1900
 FAX: (408) 434-0507