

NPN RF POWER TRANSISTOR

DESCRIPTION:

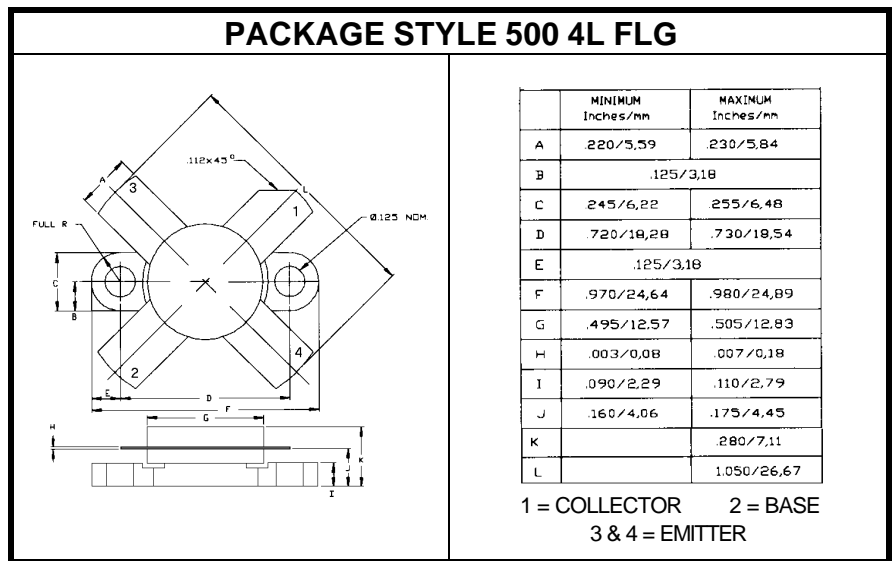
The **ASI TP9383** is a Common Emitter Device Designed for FM Broadcast Transmitter Applications in the 88 to 108 MHz Band.

FEATURES INCLUDE:

- High Efficiency
- Gold Metallization
- Emitter Ballasting

MAXIMUM RATINGS

I_C	16 A
V_{CB0}	60 V
P_{DISS}	230 W @ T _C = 25 °C
T_J	-55 °C to +200 °C
T_{STG}	-55 °C to +200 °C
q_{JC}	0.75 °C/W


CHARACTERISTICS T_C = 25 °C

SYMBOL	TEST CONDITIONS	MINIMUM	TYPICAL	MAXIMUM	UNITS
BV_{CB0}	I _C = 100 mA	60			V
BV_{CER}	I _C = 5.0 mA R _{BE} = 10 Ω	55			V
BV_{CEO}	I _C = 100 mA	25			V
BV_{EBO}	I _E = 20 mA	4.0			V
h_{FE}	V _{CE} = 5.0 V I _C = 1.0 A	20		150	---
C_{OB}	V _{CB} = 28 V f = 1.0 MHz			150	pF
P_G h_c	V _{CE} = 28 V P _{OUT} = 150 W f = 108 MHz	9.2 70	10.0		dB %