

MOS FIELD EFFECT TRANSISTOR

2SK3635

SWITCHING

N-CHANNEL POWER MOS FET

DESCRIPTION

The 2SK3635 is N-channel MOS FET device that features a low on-state resistance and excellent switching characteristics, and designed for high voltage applications such as DC/DC converter.

FEATURES

- High voltage: $V_{DSS} = 200\text{ V}$
- Gate voltage rating: $\pm 30\text{ V}$
- Low on-state resistance
 $R_{DS(on)} = 0.43\ \Omega\ \text{MAX.}$ ($V_{GS} = 10\text{ V}$, $I_D = 4.0\text{ A}$)
- Low C_{iss} : $C_{iss} = 390\text{ pF TYP.}$
- Built-in gate protection diode
- TO-251/TO-252 package
- Avalanche capability rated

ABSOLUTE MAXIMUM RATINGS ($T_A = 25^\circ\text{C}$)

| | | | |
|--|----------------|-------------|------------------|
| Drain to Source Voltage ($V_{GS} = 0\text{ V}$) | V_{DSS} | 200 | V |
| Gate to Source Voltage ($V_{DS} = 0\text{ V}$) | V_{GSS} | ± 30 | V |
| Drain Current (DC) ($T_C = 25^\circ\text{C}$) | $I_{D(DC)}$ | ± 8.0 | A |
| Drain Current (pulse) ^{Note1} | $I_{D(pulse)}$ | ± 24 | A |
| Total Power Dissipation ($T_C = 25^\circ\text{C}$) | P_{T1} | 24 | W |
| Total Power Dissipation ($T_A = 25^\circ\text{C}$) | P_{T2} | 1.0 | W |
| Channel Temperature | T_{ch} | 150 | $^\circ\text{C}$ |
| Storage Temperature | T_{stg} | -55 to +150 | $^\circ\text{C}$ |
| Single Avalanche Current ^{Note2} | I_{AS} | 8 | A |
| Single Avalanche Energy ^{Note2} | E_{AS} | 6.4 | mJ |
| Repetitive Avalanche Current ^{Note3} | I_{AR} | 8 | A |
| Repetitive Avalanche Energy ^{Note3} | E_{AR} | 2.4 | mJ |

Notes 1. $PW \leq 10\ \mu\text{s}$, Duty Cycle $\leq 1\%$

2. Starting $T_{ch} = 25^\circ\text{C}$, $V_{DD} = 100\text{ V}$, $R_G = 25\ \Omega$, $V_{GS} = 20 \rightarrow 0\text{ V}$, $L = 100\ \mu\text{H}$

3. $T_{ch} \leq 125^\circ\text{C}$, $R_G = 25\ \Omega$, $V_{DD} = 100\text{ V}$

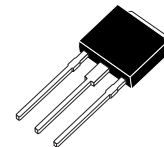
The information in this document is subject to change without notice. Before using this document, please confirm that this is the latest version.

Not all products and/or types are available in every country. Please check with an NEC Electronics sales representative for availability and additional information.

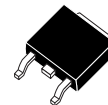
★ ORDERING INFORMATION

| PART NUMBER | PACKAGE |
|-------------|----------------|
| 2SK3635 | TO-251 (MP-3) |
| 2SK3635-Z | TO-252 (MP-3Z) |

(TO-251)



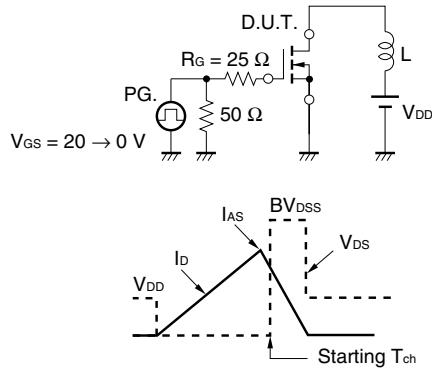
(TO-252)



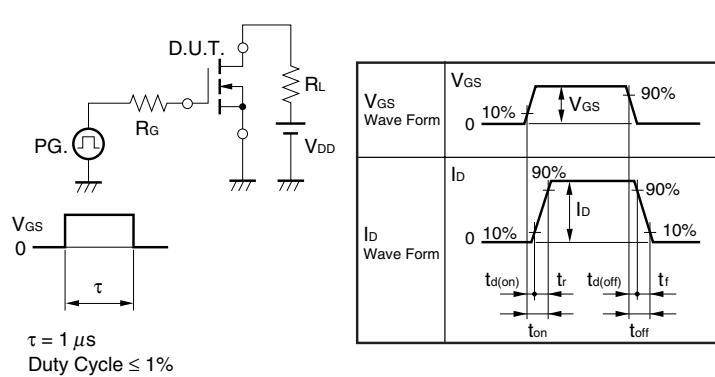
ELECTRICAL CHARACTERISTICS (T_A = 25°C)

| CHARACTERISTICS | SYMBOL | TEST CONDITIONS | MIN. | TYP. | MAX. | UNIT |
|-------------------------------------|----------------------|---|------|------|------|------|
| Zero Gate Voltage Drain Current | I _{DSS} | V _{DS} = 200 V, V _{GS} = 0 V | | | 10 | μA |
| Gate Leakage Current | I _{GSS} | V _{GS} = ±30 V, V _{DS} = 0 V | | | ±10 | μA |
| Gate Cut-off Voltage | V _{GS(off)} | V _{DS} = 10 V, I _D = 1 mA | 2.5 | 3.5 | 4.5 | V |
| Forward Transfer Admittance | y _{fs} | V _{DS} = 10 V, I _D = 4.0 A | 3 | 5 | | S |
| Drain to Source On-state Resistance | R _{DS(on)} | V _{GS} = 10 V, I _D = 4.0 A | | 0.34 | 0.43 | Ω |
| Input Capacitance | C _{iss} | V _{DS} = 10 V | | 390 | | pF |
| Output Capacitance | C _{oss} | V _{GS} = 0 V | | 95 | | pF |
| Reverse Transfer Capacitance | C _{rss} | f = 1 MHz | | 45 | | pF |
| Turn-on Delay Time | t _{d(on)} | V _{DD} = 100 V, I _D = 4.0 A | | 5 | | ns |
| Rise Time | t _r | V _{GS} = 10 V | | 7 | | ns |
| Turn-off Delay Time | t _{d(off)} | R _G = 0 Ω | | 19 | | ns |
| Fall Time | t _f | | | 6 | | ns |
| Total Gate Charge | Q _G | V _{DD} = 160 V | | 12 | | nC |
| Gate to Source Charge | Q _{GS} | V _{GS} = 10 V | | 2 | | nC |
| Gate to Drain Charge | Q _{GD} | I _D = 8.0 A | | 6 | | nC |
| Body Diode Forward Voltage | V _{F(S-D)} | I _F = 8 A, V _{GS} = 0 V | | 1.0 | | V |
| Reverse Recovery Time | t _{rr} | I _F = 8 A, V _{GS} = 0 V | | 110 | | ns |
| Reverse Recovery Charge | Q _{rr} | di/dt = 100 A/μs | | 360 | | nC |

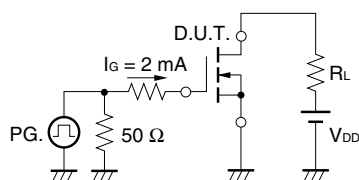
TEST CIRCUIT 1 AVALANCHE CAPABILITY



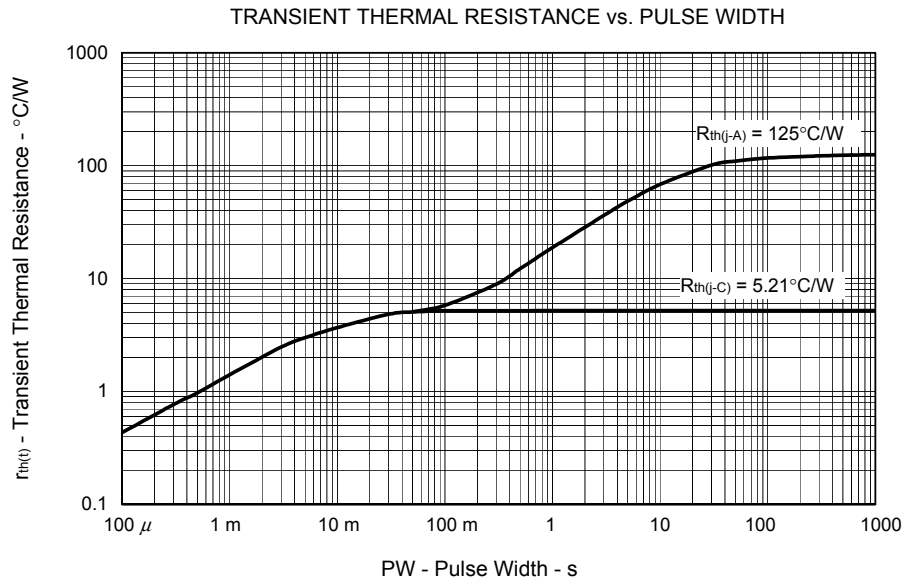
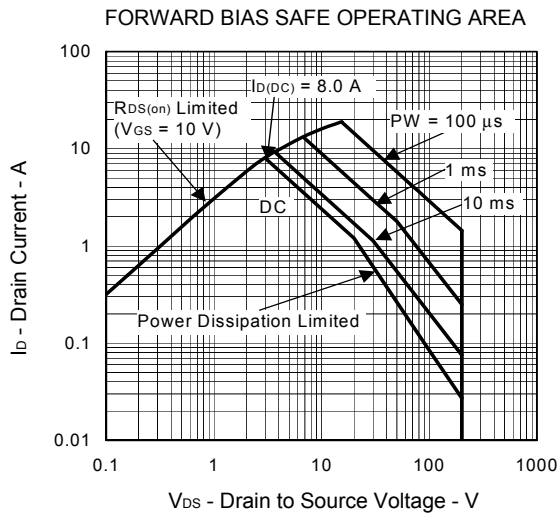
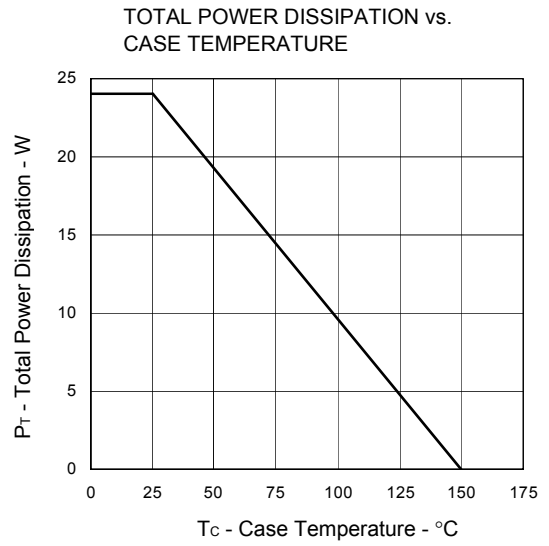
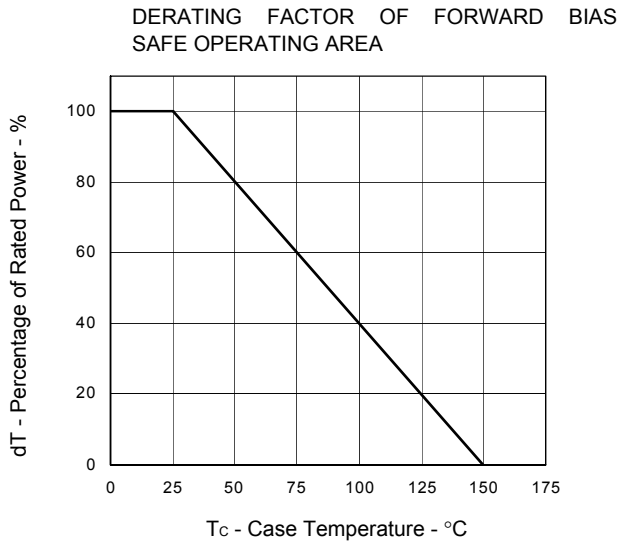
TEST CIRCUIT 2 SWITCHING TIME



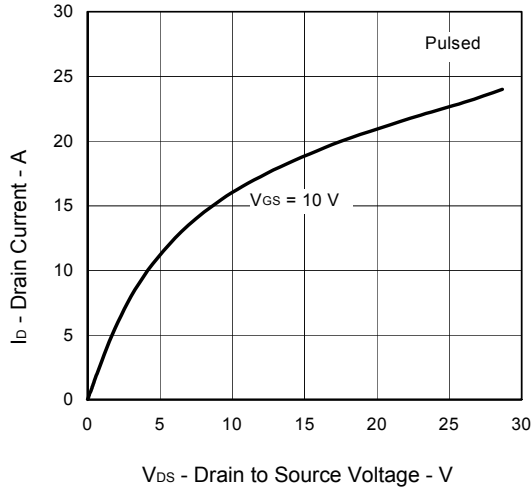
TEST CIRCUIT 3 GATE CHARGE



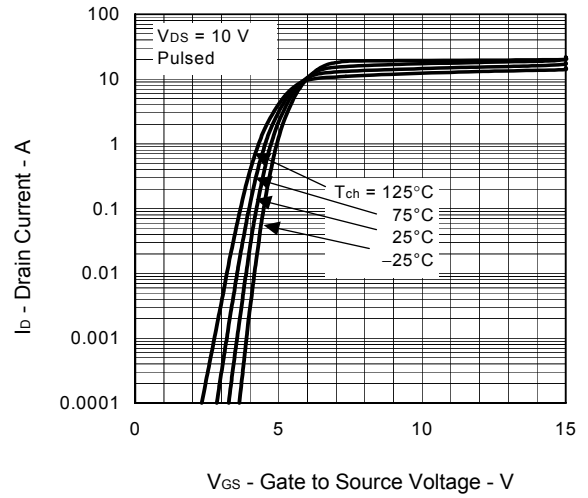
TYPICAL CHARACTERISTICS (T_A = 25°C)



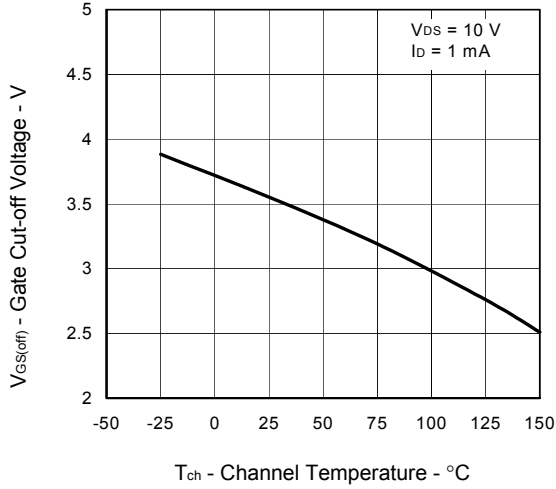
DRAIN CURRENT vs. DRAIN TO SOURCE VOLTAGE



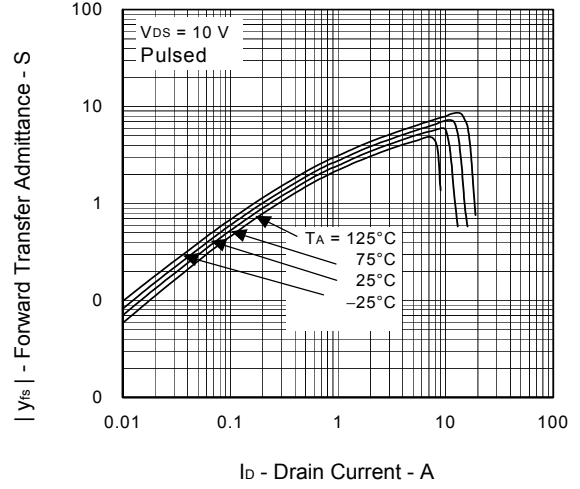
FORWARD TRANSFER CHARACTERISTICS



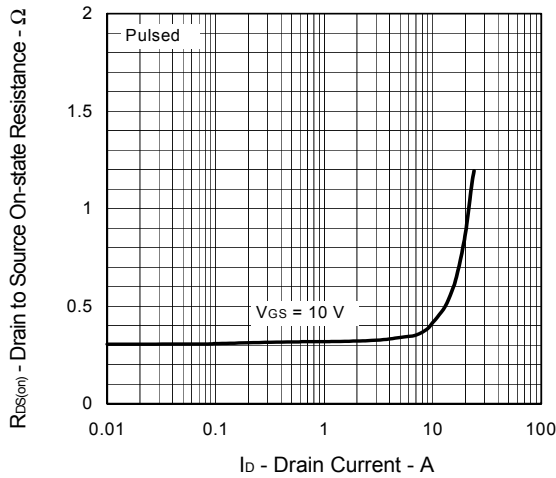
GATE CUT-OFF VOLTAGE vs. CHANNEL TEMPERATURE



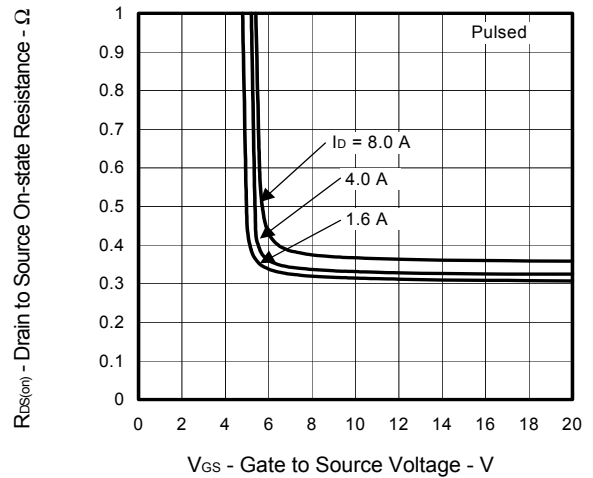
FORWARD TRANSFER ADMITTANCE vs. DRAIN CURRENT



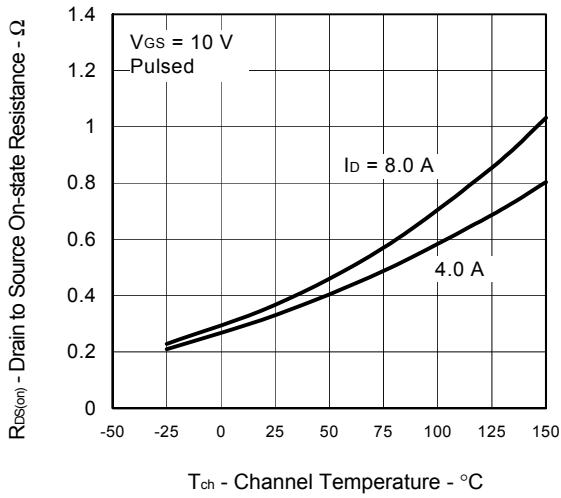
DRAIN TO SOURCE ON-STATE RESISTANCE vs. DRAIN CURRENT



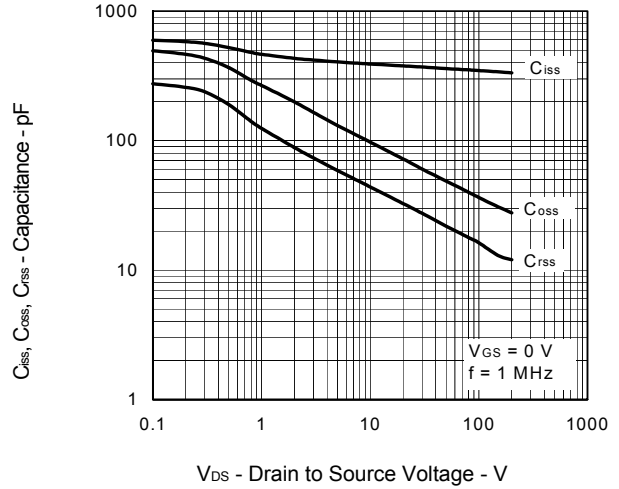
DRAIN TO SOURCE ON-STATE RESISTANCE vs. GATE TO SOURCE VOLTAGE



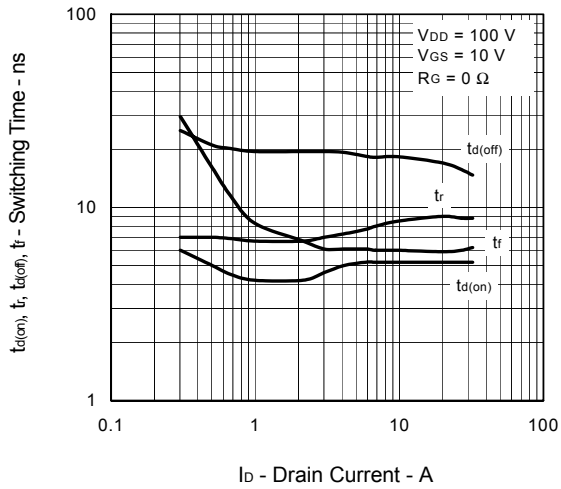
DRAIN TO SOURCE ON-STATE RESISTANCE vs. CHANNEL TEMPERATURE



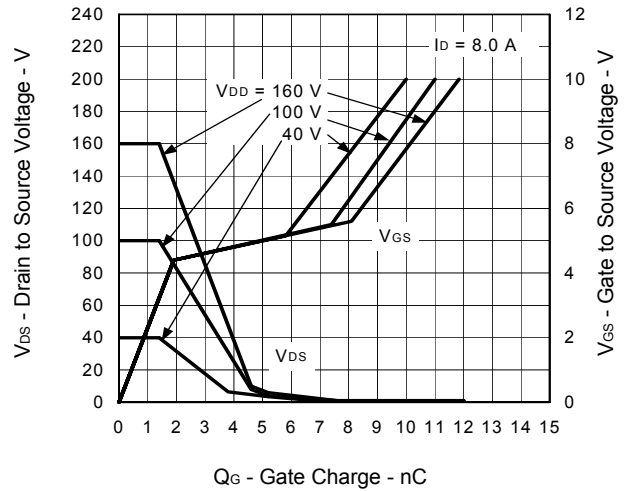
CAPACITANCE vs. DRAIN TO SOURCE VOLTAGE



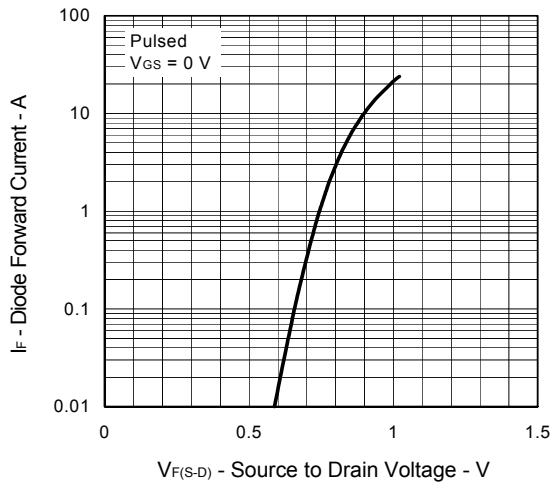
SWITCHING CHARACTERISTICS



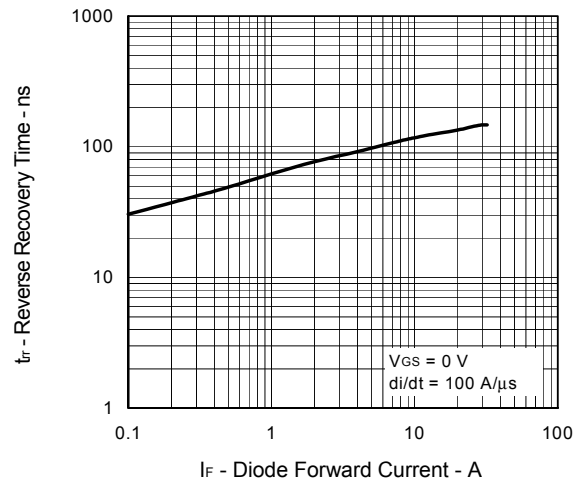
DYNAMIC INPUT/OUTPUT CHARACTERISTICS



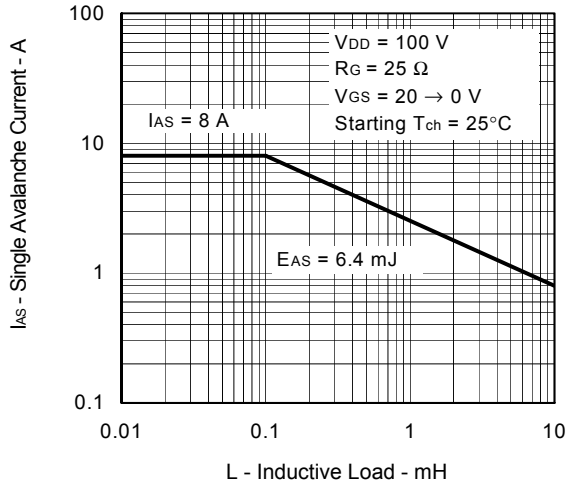
SOURCE TO DRAIN DIODE FORWARD VOLTAGE



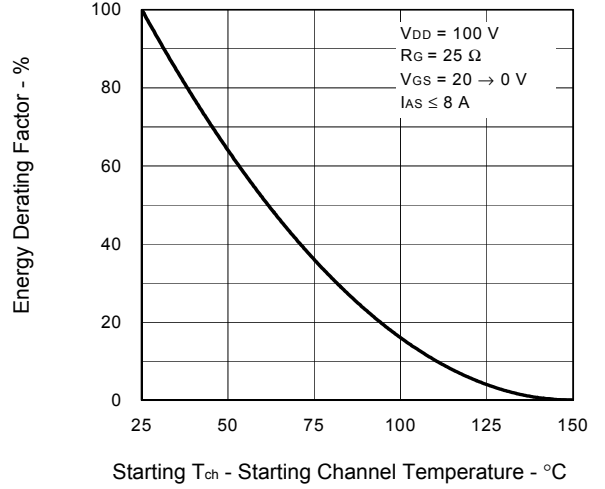
REVERSE RECOVERY TIME vs. DIODE FORWARD CURRENT



SINGLE AVALANCHE CURRENT vs. INDUCTIVE LOAD

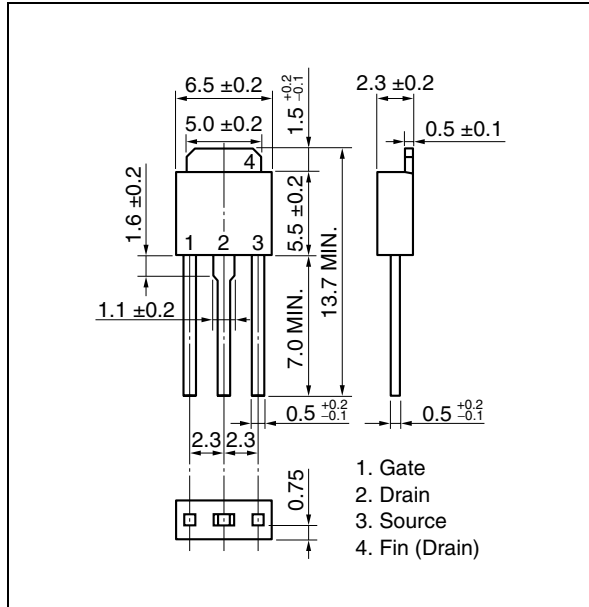


SINGLE AVALANCHE ENERGY DERATING FACTOR

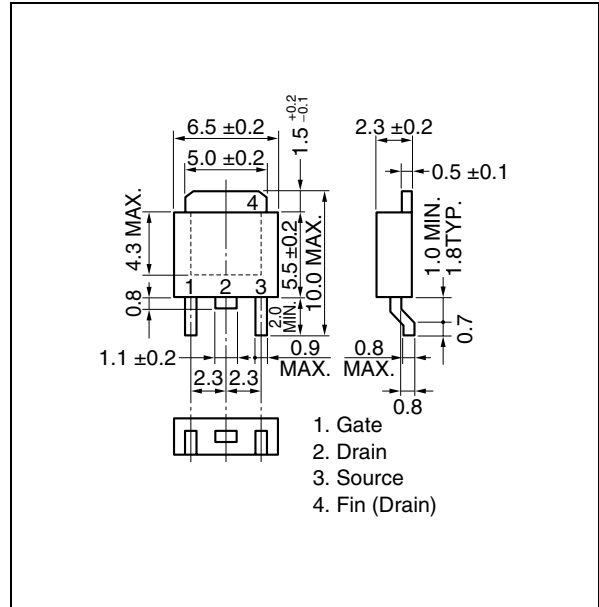


★ PACKAGE DRAWINGS (Unit: mm)

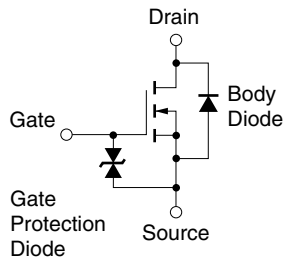
1) TO-251 (MP-3)



2) TO-252 (MP-3Z)



EQUIVALENT CIRCUIT



Remark The diode connected between the gate and source of the transistor serves as a protector against ESD. When this device actually used, an additional protection circuit is externally required if a voltage exceeding the rated voltage may be applied to this device.

• **The information in this document is current as of August, 2004. The information is subject to change without notice. For actual design-in, refer to the latest publications of NEC Electronics data sheets or data books, etc., for the most up-to-date specifications of NEC Electronics products. Not all products and/or types are available in every country. Please check with an NEC Electronics sales representative for availability and additional information.**

• No part of this document may be copied or reproduced in any form or by any means without the prior written consent of NEC Electronics. NEC Electronics assumes no responsibility for any errors that may appear in this document.

• NEC Electronics does not assume any liability for infringement of patents, copyrights or other intellectual property rights of third parties by or arising from the use of NEC Electronics products listed in this document or any other liability arising from the use of such products. No license, express, implied or otherwise, is granted under any patents, copyrights or other intellectual property rights of NEC Electronics or others.

• Descriptions of circuits, software and other related information in this document are provided for illustrative purposes in semiconductor product operation and application examples. The incorporation of these circuits, software and information in the design of a customer's equipment shall be done under the full responsibility of the customer. NEC Electronics assumes no responsibility for any losses incurred by customers or third parties arising from the use of these circuits, software and information.

• While NEC Electronics endeavors to enhance the quality, reliability and safety of NEC Electronics products, customers agree and acknowledge that the possibility of defects thereof cannot be eliminated entirely. To minimize risks of damage to property or injury (including death) to persons arising from defects in NEC Electronics products, customers must incorporate sufficient safety measures in their design, such as redundancy, fire-containment and anti-failure features.

• NEC Electronics products are classified into the following three quality grades: "Standard", "Special" and "Specific".

The "Specific" quality grade applies only to NEC Electronics products developed based on a customer-designated "quality assurance program" for a specific application. The recommended applications of an NEC Electronics product depend on its quality grade, as indicated below. Customers must check the quality grade of each NEC Electronics product before using it in a particular application.

"Standard": Computers, office equipment, communications equipment, test and measurement equipment, audio and visual equipment, home electronic appliances, machine tools, personal electronic equipment and industrial robots.

"Special": Transportation equipment (automobiles, trains, ships, etc.), traffic control systems, anti-disaster systems, anti-crime systems, safety equipment and medical equipment (not specifically designed for life support).

"Specific": Aircraft, aerospace equipment, submersible repeaters, nuclear reactor control systems, life support systems and medical equipment for life support, etc.

The quality grade of NEC Electronics products is "Standard" unless otherwise expressly specified in NEC Electronics data sheets or data books, etc. If customers wish to use NEC Electronics products in applications not intended by NEC Electronics, they must contact an NEC Electronics sales representative in advance to determine NEC Electronics' willingness to support a given application.

(Note)

(1) "NEC Electronics" as used in this statement means NEC Electronics Corporation and also includes its majority-owned subsidiaries.

(2) "NEC Electronics products" means any product developed or manufactured by or for NEC Electronics (as defined above).