

LOW SUPPLY VOLTAGE, ULTRA LOW-NOISE, HIGH SPEED, WIDE BAND, LOW I_B DUAL OPERATIONAL AMPLIFIER

DESCRIPTION

The μPC4572 is a dual wide band, ultra low noise operational amplifier designed for low supply voltage operation of +4 V to +14 V single supply and ±2 V to ±7 V split supplies. Using high h_{FE} PNP transistors for the input circuit, input bias current and input equivalent noise are better than conventional wide band operational amplifier.

The μPC4572 is an excellent choice for preamplifiers and active filters in audio, instrumentation, and communication circuit.

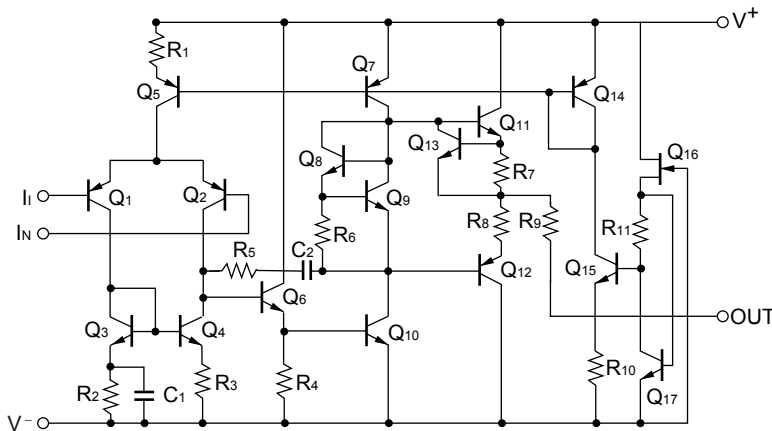
FEATURES

- Ultra low noise: $e_n = 4.0 \text{ nV}/\sqrt{\text{Hz}}$
- Low input bias current: 100 nA
- High slew rate: 6 V/μs
- Low supply voltage: ±2 V to ±7 V (Split)
+4 V to +14 V (Single)
- Internal frequency compensation

ORDERING INFORMATION

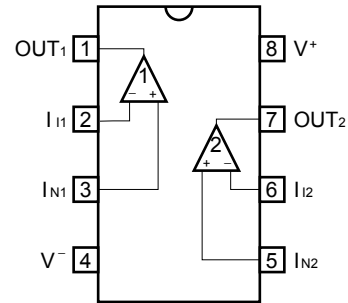
Part Number	Package
μPC4572C	8-pin plastic DIP (7.62 mm (300))
μPC4572C(5)	8-pin plastic DIP (7.62 mm (300))
μPC4572G2	8-pin plastic SOP (5.72 mm (225))
μPC4572G2(5)	8-pin plastic SOP (5.72 mm (225))
μPC4572HA	9-pin plastic slim SIP
μPC4572HA(5)	9-pin plastic slim SIP

EQUIVALENT CIRCUIT (1/2 Circuit)

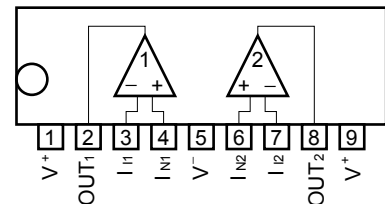


PIN CONFIGURATION (Top View)

μPC4572C, 4572C(5), 4572G2, 4572G2(5)



μPC4572A, 4572HA(5)



The information in this document is subject to change without notice. Before using this document, please confirm that this is the latest version.

Not all products and/or types are available in every country. Please check with an NEC Electronics sales representative for availability and additional information.

ABSOLUTE MAXIMUM RATINGS (T_A = 25°C)

Parameter		Symbol	Ratings	Unit
Voltage between V ⁺ and V ⁻ ^{Note1}		V ⁺ - V ⁻	-0.3 to +15	V
Differential Input Voltage		V _{ID}	±10	V
Input Voltage ^{Note2}		V _I	V ⁻ -0.3 to V ⁺ +0.3	V
Output Voltage ^{Note3}		V _O	V ⁻ -0.3 to V ⁺ +0.3	V
Power Dissipation	C Package ^{Note4}	P _T	350	mW
	G2 Package ^{Note5}		440	mW
	HA Package ^{Note4}		350	mW
Output Short Circuit Duration ^{Note6}			10	sec
Operating Ambient Temperature		T _A	-20 to +80	°C
Storage Temperature		T _{stg}	-55 to +125	°C

- Notes**
- Reverse connection of supply voltage can cause destruction.
 - The input voltage should be allowed to input without damage or destruction. Even during the transition period of supply voltage, power on/off etc., this specification should be kept. The normal operation will establish when the both inputs are within the Common Mode Input Voltage Range of electrical characteristics.
 - This specification is the voltage, which should be allowed to supply to the output terminal from external without damage or destructive. Even during the transition period of supply voltage, power on/off etc., this specification should be kept. The output voltage of normal operation will be the Output Voltage Swing of electrical characteristics.
 - Thermal derating factor is -5.0 mW/°C when ambient temperature is higher than 55°C.
 - Thermal derating factor is -4.4 mW/°C when ambient temperature is higher than 25°C.
 - Pay careful attention to the total power dissipation not to exceed the absolute maximum ratings, Note 4 and Note 5.

RECOMMENDED OPERATING CONDITIONS

Parameter	Symbol	MIN.	TYP.	MAX.	Unit
Supply Voltage (Split)	V [±]	±2	±5	±7	V
Supply Voltage (V ⁻ = GND)	V ⁺	+4	+5/ +12	+14	V
Output Current	I _O			±10	mA
Capacitive Load (A _v = +1)	C _L			100	pF

μPC4572C, μPC4572G2, μPC4572HA

ELECTRICAL CHARACTERISTICS (T_A = 25°C, V[±] = ±5 V)

Parameter	Symbol	Conditions	MIN.	TYP.	MAX.	Unit
Input Offset Voltage	V _{IO}	R _S ≤ 50 Ω		±0.3	±5	mV
Input Offset Current ^{Note 7}	I _{IO}			±10	±100	nA
Input Bias Current ^{Note 7}	I _B			100	400	nA
Large Signal Voltage Gain	A _V	R _L ≥ 2 kΩ, V _O = ±2 V	10000	100000		
★ Supply Current ^{Note 8}	I _{CC}	I _O = 0 A		4.5	7	mA
Common Mode Rejection Ratio	CMR		70	90		dB
Supply Voltage Rejection Ratio	SVR		70	85		dB
Output Voltage Swing	V _{OM}	R _L ≥ 10 kΩ	±3.3	±3.7		V
		R _L ≥ 2 kΩ	±3.0	±3.5		
Common Mode Input Voltage Range	V _{ICM}		±3.5	±4		V
Output Short Circuit Current	I _{O,short}	R _L = 0	±15	±20		mA
Slew Rate	SR	A _V = 1, R _L ≥ 2 kΩ	3.5	6		V/μs
Gain Band Width Product	GBW	f _o = 100 kHz	10	16		MHz
Unity Gain Frequency	f _{unity}	open loop		9		MHz
Phase Margin	φ _{unity}	open loop		60		degree
Total Harmonic Distortion	THD	V _O = 1 V _{r.m.s.} , f = 20 Hz to 20 kHz (Fig.1)		0.002		%
Input Equivalent Noise Voltage	V _n	RIAA (Fig.2)		0.8		μV _{r.m.s.}
		FLAT+JIS A, R _S = 100 Ω (Fig.3)		0.5	0.65	
Input Equivalent Noise Voltage Density	e _n	f _o = 10 Hz		4.5		nV/√Hz
		f _o = 1 kHz		4.0		
Input Equivalent Noise Current Density	i _n	f _o = 1 kHz		0.7		pA/√Hz
Channel Separation		f = 20 Hz to 20 kHz		120		dB
Average V _{IO} Temperature Drift	ΔV _{IO} /ΔT			±2		μV/°C

ELECTRICAL CHARACTERISTICS (T_A = 25°C, V[±] = 5 V, V⁻ = GND)

Parameter	Symbol	Conditions	MIN.	TYP.	MAX.	Unit
Input Offset Voltage	V _{IO}	R _S ≤ 50 Ω		±0.3	±5	mV
Input Offset Current ^{Note 7}	I _{IO}			±10	±100	nA
Input Bias Current ^{Note 7}	I _B			100	400	nA
Large Signal Voltage Gain	A _V	R _L ≥ 2 kΩ	8000	80000		
★ Supply Current ^{Note 8}	I _{CC}	I _O = 0 A		4	6	mA
Common Mode Rejection Ratio	CMR		60	75		dB
Supply Voltage Rejection Ratio	SVR		60	70		dB
Output Voltage (High)	V _{OH}	R _L ≥ 2 kΩ (R _L to 1/2 V ⁺)	3.2	3.5		V
Output Voltage (Low)	V _{OL}	R _L ≥ 2 kΩ (R _L to 1/2 V ⁺)		1.3	1.6	V
Common Mode Input Voltage Range	V _{ICM}		1.5		3.5	V
Slew Rate	SR	A _V = 1		4		V/μs
Gain Band Width Product	GBW			12		MHz

Notes 7. Input bias currents flow out from IC. Because each currents are base current of PNP-transistor on input stage.

★ 8. This current flows irrespective of the existence of use.

μPC4572C(5), μPC4572G2(5), μPC4572HA(5)

ELECTRICAL CHARACTERISTICS (T_A = 25°C, V[±] = ±5 V)

Parameter	Symbol	Conditions	MIN.	TYP.	MAX.	Unit
Input Offset Voltage	V _{IO}	R _S ≤ 50 Ω		±0.3	±1.5	mV
Input Offset Current ^{Note 7}	I _{IO}			±10	±50	nA
Input Bias Current ^{Note 7}	I _B			100	200	nA
Large Signal Voltage Gain	A _V	R _L ≥ 2 kΩ, V _O = ±2 V	30000	100000		
★ Supply Current ^{Note 8}	I _{CC}	I _O = 0 A		4.5	5.5	mA
Common Mode Rejection Ratio	CMR		75	90		dB
Supply Voltage Rejection Ratio	SVR		70	85		dB
Output Voltage Swing	V _{OM}	R _L ≥ 10 kΩ	±3.45	±3.7		V
		R _L ≥ 2 kΩ	±3.3	±3.5		
Common Mode Input Voltage Range	V _{ICM}		+3.8 -3.7	±4		V
Output Short Circuit Current	I _{O short}	R _L = 0	±15	±20		mA
Slew Rate	SR	A _V = 1, R _L ≥ 2 kΩ	3.5	6		V/μs
Gain Band Width Product	GBW	f _O = 100 kHz	10	16		MHz
Unity Gain Frequency	f _{UNITY}	open loop		9		MHz
Phase Margin	φ _{UNITY}	open loop		60		degree
Total Harmonic Distortion	THD	V _O = 1 V _{r.m.s.} , f = 20 Hz to 20 kHz (Fig.1)		0.002		%
Input Equivalent Noise Voltage	V _n	RIAA (Fig.2)		0.8		μV _{r.m.s.}
		FLAT+JIS A, R _S = 100 Ω (Fig.3)		0.5	0.65	
Input Equivalent Noise Voltage Density	e _n	f _O = 10 Hz		4.5		nV/√Hz
		f _O = 1 kHz		4.0		
Input Equivalent Noise Current Density	i _n	f _O = 1 kHz		0.7		pA/√Hz
Channel Separation		f = 20 Hz to 20 kHz		120		dB
Average V _{IO} Temperature Drift	ΔV _{IO} /ΔT			±2		μV/°C

ELECTRICAL CHARACTERISTICS (T_A = 25°C, V⁺ = 5 V, V⁻ = GND)

Parameter	Symbol	Conditions	MIN.	TYP.	MAX.	Unit
Input Offset Voltage	V _{IO}	R _S ≤ 50 Ω		±0.3	±1.5	mV
Input Offset Current ^{Note 7}	I _{IO}			±10	±50	nA
Input Bias Current ^{Note 7}	I _B			100	200	nA
Large Signal Voltage Gain	A _V	R _L ≥ 2 kΩ ,	40000	80000		
★ Supply Current ^{Note 8}	I _{CC}	I _O = 0 A		4	5	mA
Common Mode Rejection Ratio	CMR		65	75		dB
Supply Voltage Rejection Ratio	SVR		60	70		dB
Output Voltage (High)	V _{OH}	R _L ≥ 2 kΩ (R _L to 1/2 V ⁺)	3.4	3.5		V
Output Voltage (Low)	V _{OL}	R _L ≥ 2 kΩ (R _L to 1/2 V ⁺)		1.3	1.45	V
Common Mode Input Voltage Range	V _{ICM}		1.2		3.8	V
Slew Rate	SR	A _V = 1		4		V/μs
Gain Band Width Product	GBW			12		MHz

Notes 7. Input bias currents flow out from IC. Because each currents are base current of PNP-transistor on input stage.

★ **8.** This current flows irrespective of the existence of use.

MEASUREMENT CIRCUITS

Fig. 1 Total Harmonic Distortion Measurement Circuit

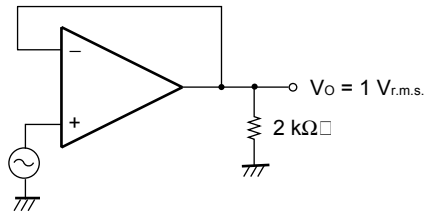


Fig. 2 Noise Measurement Circuit (RIAA)

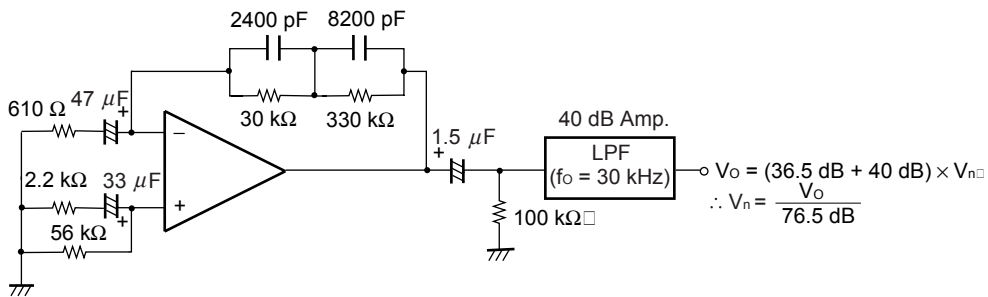
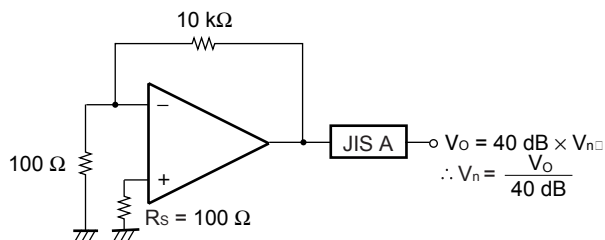
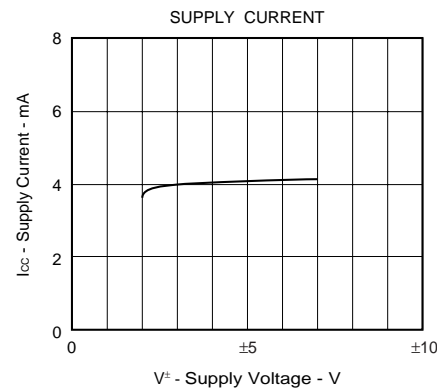
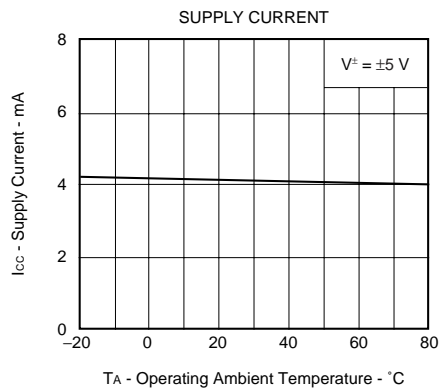
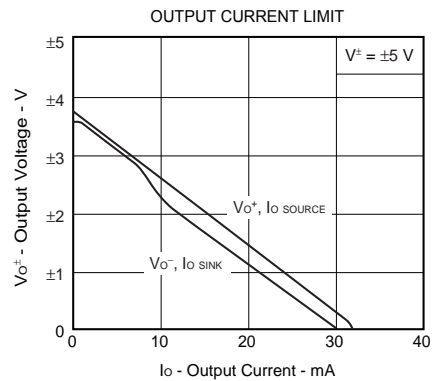
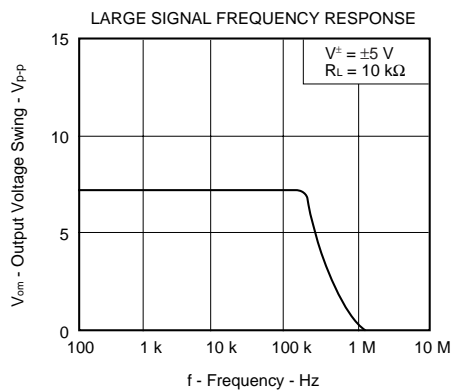
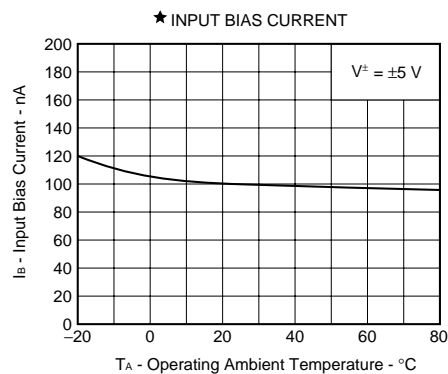
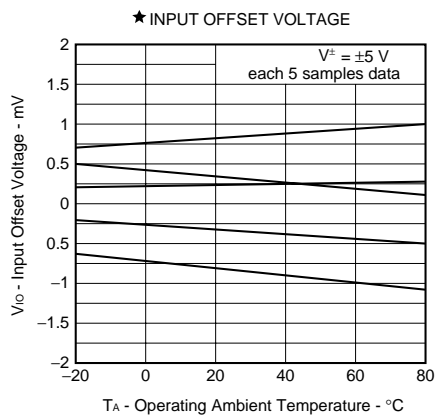
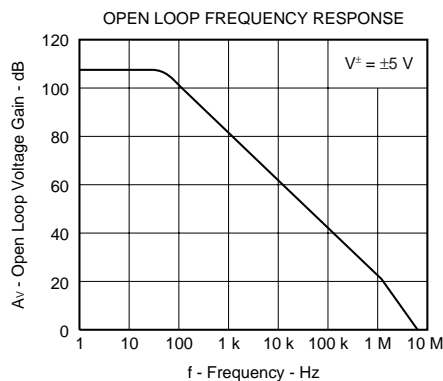
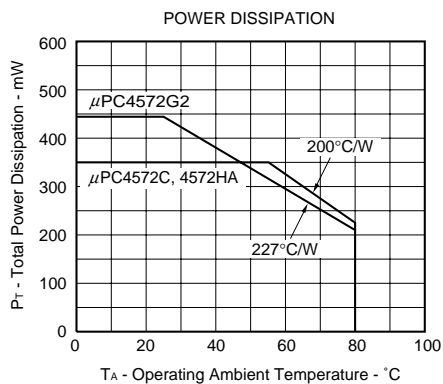
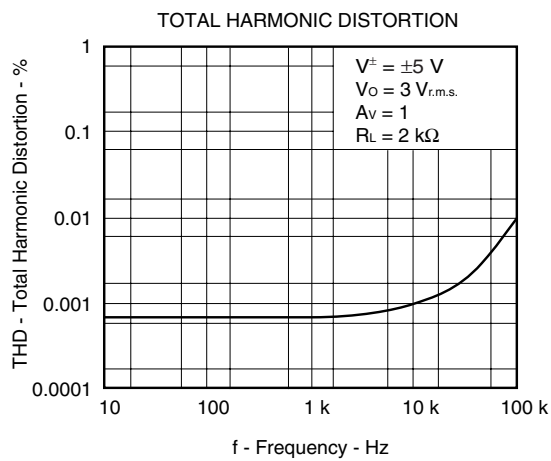
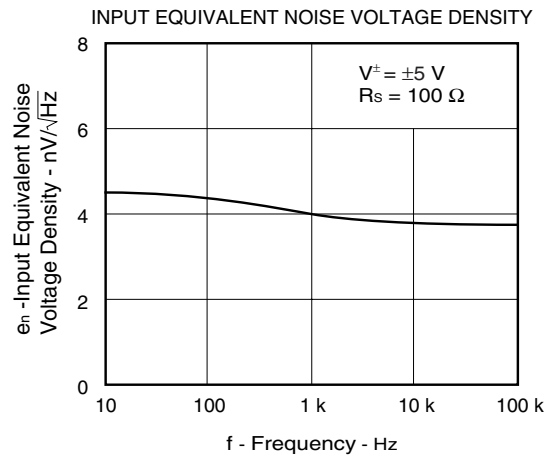
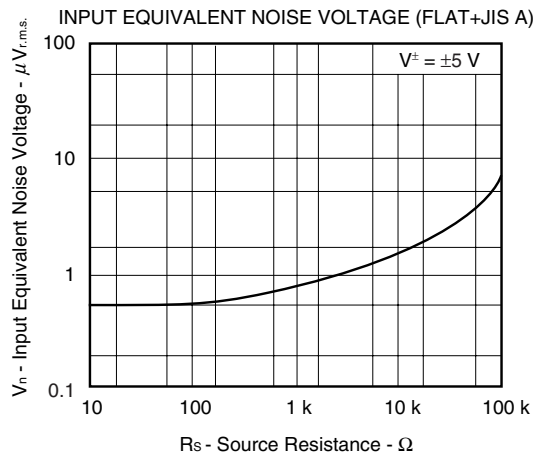
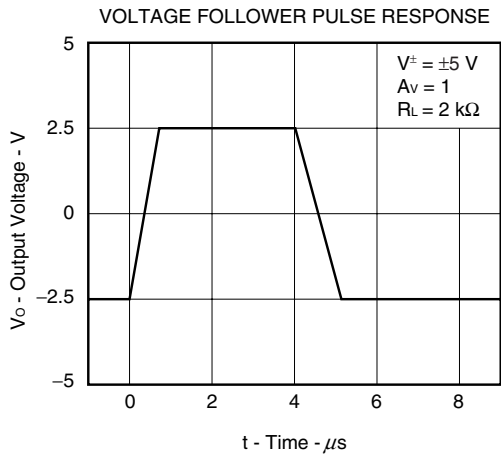
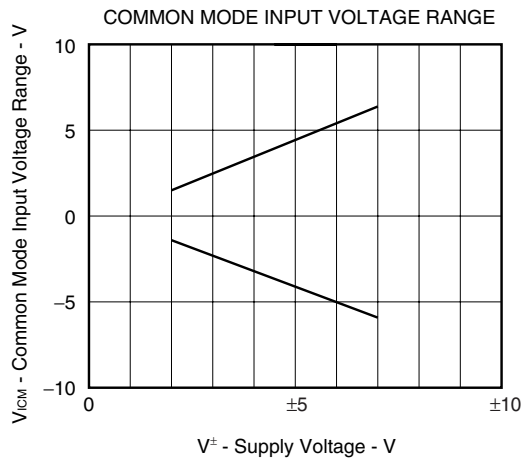


Fig. 3 Flat Noise Measurement Circuit (FLAT + JIS A)



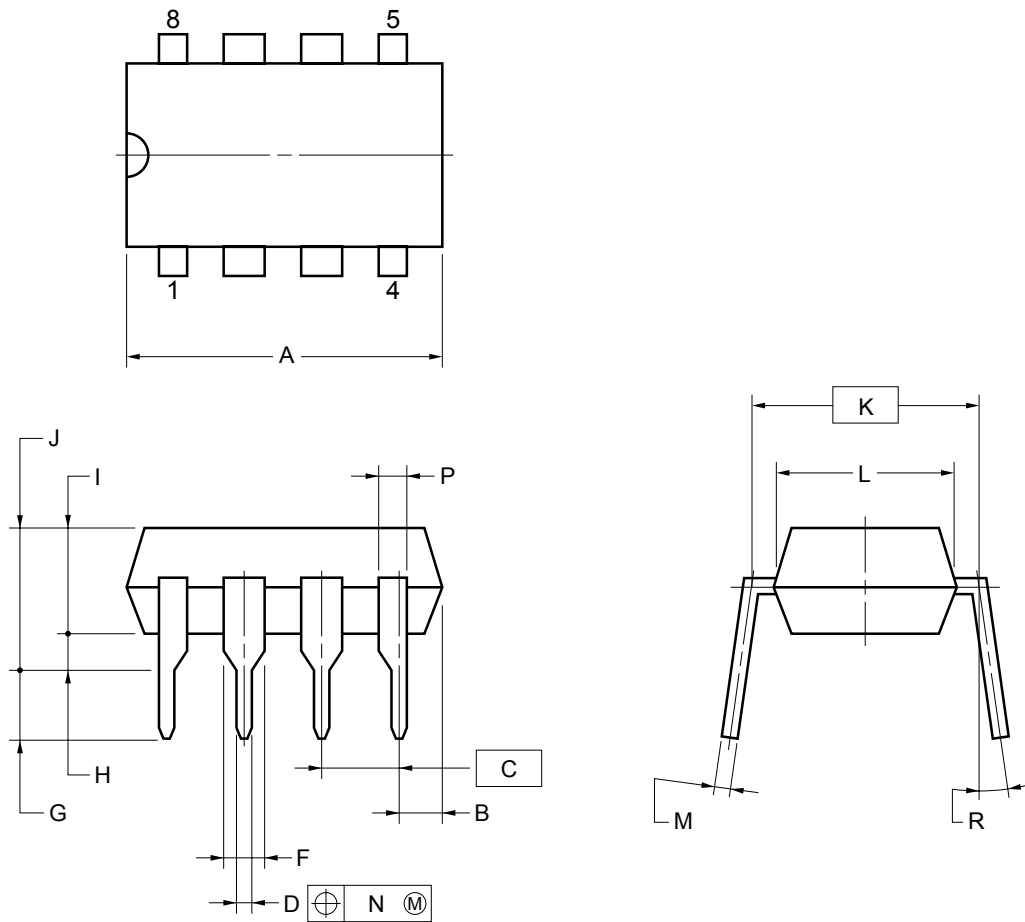
TYPICAL PERFORMANCE CHARACTERISTICS (T_A = 25°C, TYP.)





PACKAGE DRAWINGS (Unit: mm)

8-PIN PLASTIC DIP (7.62 mm (300))



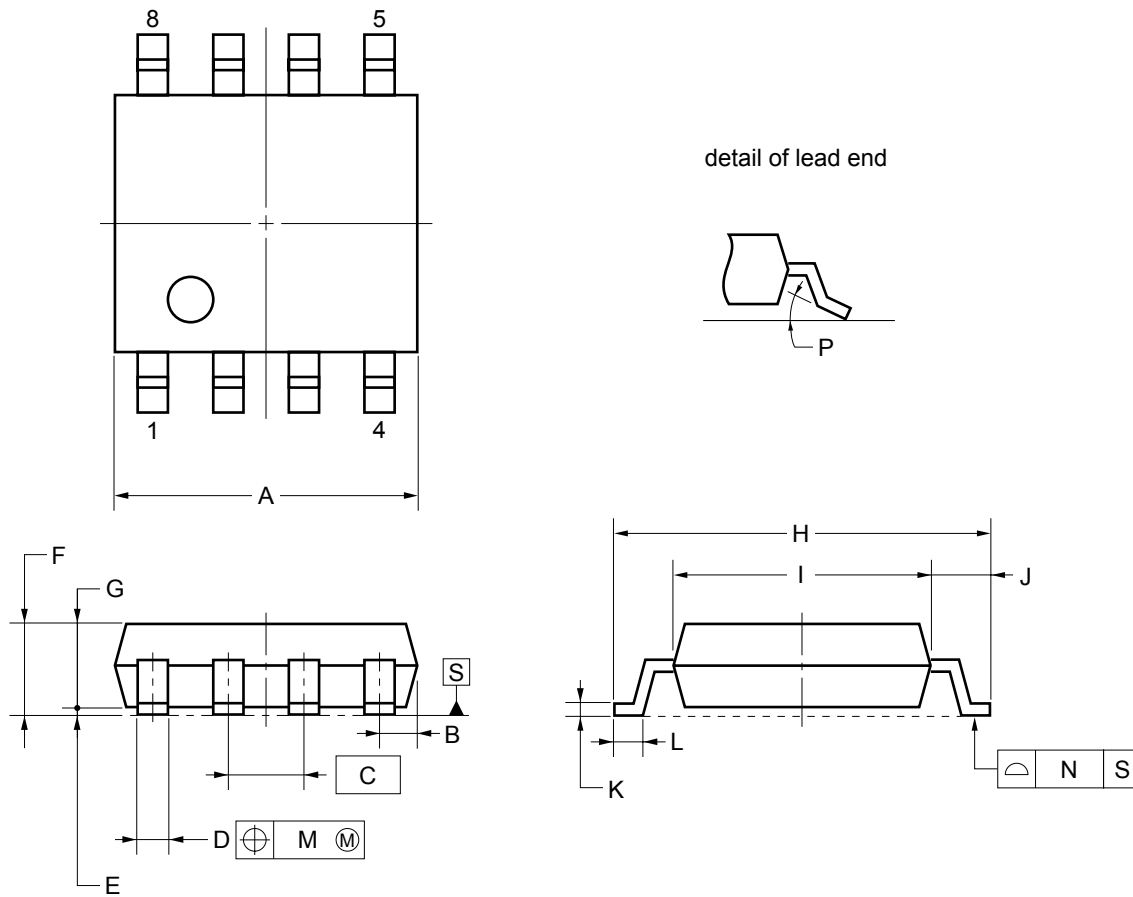
NOTES

1. Each lead centerline is located within 0.25 mm of its true position (T.P.) at maximum material condition.
2. Item "K" to center of leads when formed parallel.

ITEM	MILLIMETERS
A	10.16 MAX.
B	1.27 MAX.
C	2.54 (T.P.)
D	0.50±0.10
F	1.4 MIN.
G	3.2±0.3
H	0.51 MIN.
I	4.31 MAX.
J	5.08 MAX.
K	7.62 (T.P.)
L	6.4
M	0.25 ^{+0.10} _{-0.05}
N	0.25
P	0.9 MIN.
R	0~15∞

P8C-100-300B,C-2

8-PIN PLASTIC SOP (5.72 mm (225))



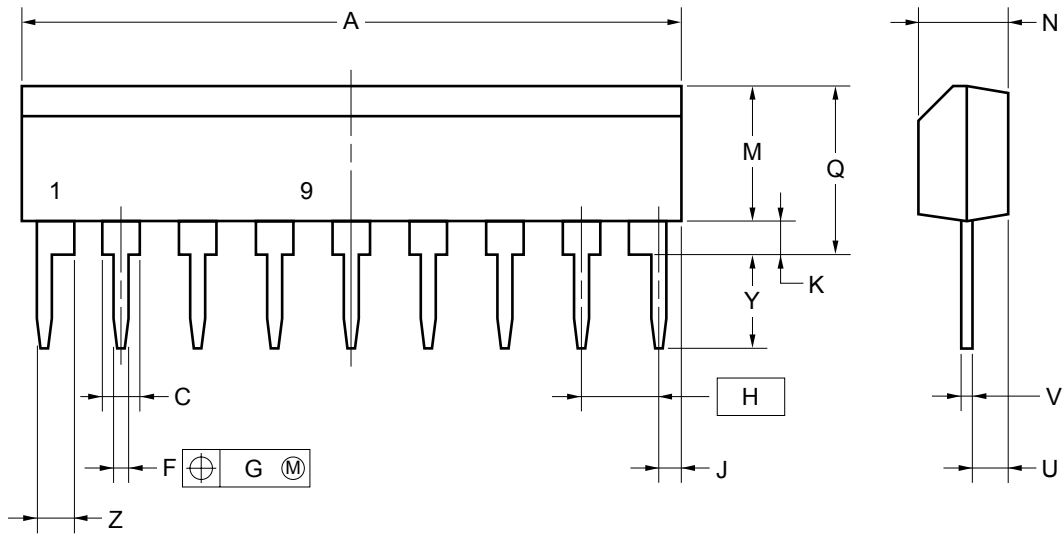
NOTE

Each lead centerline is located within 0.12 mm of its true position (T.P.) at maximum material condition.

ITEM	MILLIMETERS
A	5.2 ^{+0.17} / _{-0.20}
B	0.78 MAX.
C	1.27 (T.P.)
D	0.42 ^{+0.08} / _{-0.07}
E	0.1±0.1
F	1.59±0.21
G	1.49
H	6.5±0.3
I	4.4±0.15
J	1.1±0.2
K	0.17 ^{+0.08} / _{-0.07}
L	0.6±0.2
M	0.12
N	0.10
P	3 [∞] / ₃ ⁺⁷ / _∞

S8GM-50-225B-6

9-PIN PLASTIC SLIM SIP



NOTE

Each lead centerline is located within 0.25 mm of its true position (T.P.) at maximum material condition.

ITEM	MILLIMETERS
A	22.86 MAX.
C	1.1 MIN.
F	0.5±0.1
G	0.25
H	2.54
J	1.27 MAX.
K	0.51 MIN.
M	5.08 MAX.
N	2.8±0.2
Q	5.75 MAX.
U	1.5 MAX.
V	0.25 ^{+0.10} _{-0.05}
Y	3.2±0.5
Z	1.1 MIN.

P9HA-254B-2

★ **RECOMMENDED SOLDERING CONDITIONS**

The μPC4572 should be soldered and mounted under the following recommended conditions.

For soldering methods and conditions other than those recommended below, contact an NEC Electronics sales representative.

For technical information, see the following website.

Semiconductor Device Mount Manual (<http://www.necel.com/pkg/en/mount/index.html>)

Type of Surface Mount Device

μPC4572G2, 4572G2(5): 8-pin plastic SOP (5.72 mm (225))

Process	Conditions	Symbol
Infrared Ray Reflow	Peak temperature: 230°C or below (Package surface temperature), Reflow time: 30 seconds or less (at 210°C or higher), Maximum number of reflow processes: 1 time.	IR30-00-1
Vapor Phase Soldering	Peak temperature: 215°C or below (Package surface temperature), Reflow time: 40 seconds or less (at 200°C or higher), Maximum number of reflow processes: 1 time.	VP15-00-1
Wave Soldering	Solder temperature: 260°C or below, Flow time: 10 seconds or less, Maximum number of flow processes: 1 time, Pre-heating temperature: 120°C or below (Package surface temperature).	WS60-00-1
Partial Heating Method	Pin temperature: 300°C or below, Heat time: 3 seconds or less (Per each side of the device).	—

Caution Apply only one kind of soldering condition to a device, except for "partial heating method", or the device will be damaged by heat stress.

Type of Through-hole Device

μPC4572C, 4572C(5): 8-pin plastic DIP (7.62 mm (300)), μPC4572HA, 4572HA(5): 9-pin plastic slim SIP

Process	Conditions
Wave Soldering (only to leads)	Solder temperature: 260°C or below, Flow time: 10 seconds or less.
Partial Heating Method	Pin temperature: 300°C or below, Heat time: 3 seconds or less (per each lead).

Caution For through-hole device, the wave soldering process must be applied only to leads, and make sure that the package body does not get jet soldered.

- **The information in this document is current as of March, 2004. The information is subject to change without notice. For actual design-in, refer to the latest publications of NEC Electronics data sheets or data books, etc., for the most up-to-date specifications of NEC Electronics products. Not all products and/or types are available in every country. Please check with an NEC Electronics sales representative for availability and additional information.**

- No part of this document may be copied or reproduced in any form or by any means without the prior written consent of NEC Electronics. NEC Electronics assumes no responsibility for any errors that may appear in this document.
- NEC Electronics does not assume any liability for infringement of patents, copyrights or other intellectual property rights of third parties by or arising from the use of NEC Electronics products listed in this document or any other liability arising from the use of such products. No license, express, implied or otherwise, is granted under any patents, copyrights or other intellectual property rights of NEC Electronics or others.
- Descriptions of circuits, software and other related information in this document are provided for illustrative purposes in semiconductor product operation and application examples. The incorporation of these circuits, software and information in the design of a customer's equipment shall be done under the full responsibility of the customer. NEC Electronics assumes no responsibility for any losses incurred by customers or third parties arising from the use of these circuits, software and information.
- While NEC Electronics endeavors to enhance the quality, reliability and safety of NEC Electronics products, customers agree and acknowledge that the possibility of defects thereof cannot be eliminated entirely. To minimize risks of damage to property or injury (including death) to persons arising from defects in NEC Electronics products, customers must incorporate sufficient safety measures in their design, such as redundancy, fire-containment and anti-failure features.
- NEC Electronics products are classified into the following three quality grades: "Standard", "Special" and "Specific".

The "Specific" quality grade applies only to NEC Electronics products developed based on a customer-designated "quality assurance program" for a specific application. The recommended applications of an NEC Electronics product depend on its quality grade, as indicated below. Customers must check the quality grade of each NEC Electronics product before using it in a particular application.

"Standard": Computers, office equipment, communications equipment, test and measurement equipment, audio and visual equipment, home electronic appliances, machine tools, personal electronic equipment and industrial robots.

"Special": Transportation equipment (automobiles, trains, ships, etc.), traffic control systems, anti-disaster systems, anti-crime systems, safety equipment and medical equipment (not specifically designed for life support).

"Specific": Aircraft, aerospace equipment, submersible repeaters, nuclear reactor control systems, life support systems and medical equipment for life support, etc.

The quality grade of NEC Electronics products is "Standard" unless otherwise expressly specified in NEC Electronics data sheets or data books, etc. If customers wish to use NEC Electronics products in applications not intended by NEC Electronics, they must contact an NEC Electronics sales representative in advance to determine NEC Electronics' willingness to support a given application.

(Note)

- (1) "NEC Electronics" as used in this statement means NEC Electronics Corporation and also includes its majority-owned subsidiaries.
- (2) "NEC Electronics products" means any product developed or manufactured by or for NEC Electronics (as defined above).