



W005M THRU W10M SINGLE PHASE SILICON BRIDGE RECTIFIER

TECHNICAL
SPECIFICATION

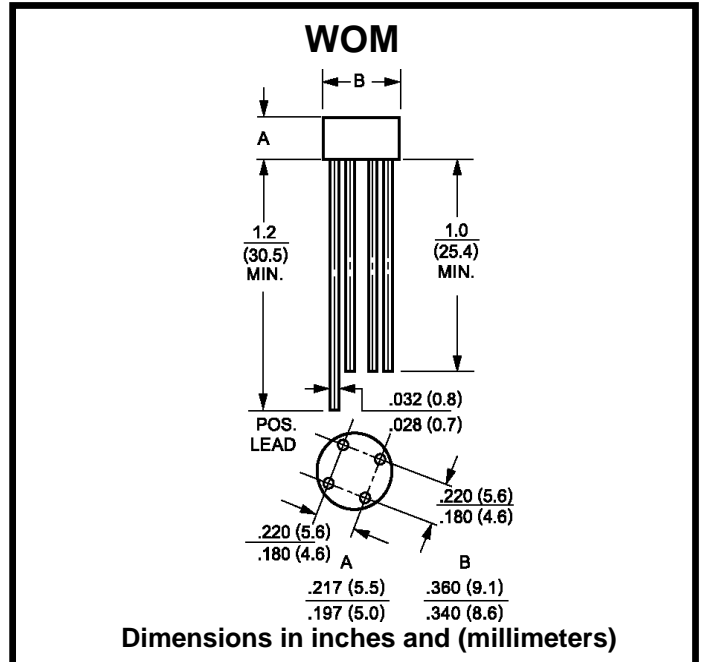
VOLTAGE: 50 TO 1000V CURRENT: 1.5A

FEATURES

- Ideal for printed circuit board
- Surge overload rating: 50 A peak
- High case dielectric strength
- High temperature soldering guaranteed:
250°C/10sec/0.375"(9.5mm) lead length
at 5 lbs tension

MECHANICAL DATA

- Terminal: Plated leads solderable per
MIL-STD 202E, method 208C
- Case: UL-94 Class V-O recognized flame
retardant epoxy
- Polarity: Polarity symbol marked on body
- Mounting position: Any



MAXIMUM RATINGS AND ELECTRICAL CHARACTERISTICS

(Single-phase, half-wave, 60Hz, resistive or inductive load rating at 25°C, unless otherwise stated, for capacitive load, derate current by 20%)

| RATINGS | SYMBOL | W005 M | W01 M | W02 M | W04 M | W06 M | W08 M | W10 M | UNITS |
|--|-------------|-------------|----------|----------|----------|----------|----------|----------|--------------------------------|
| Maximum Repetitive Peak Reverse Voltage | V_{RRM} | 50 | 100 | 200 | 400 | 600 | 800 | 1000 | V |
| Maximum RMS Voltage | V_{RMS} | 35 | 70 | 140 | 280 | 420 | 560 | 700 | V |
| Maximum DC Blocking Voltage | V_{DC} | 50 | 100 | 200 | 400 | 600 | 800 | 1000 | V |
| Maximum Average Forward Rectified Current ($T_a=25^\circ\text{C}$) | $I_{F(AV)}$ | 1.5 | | | | | | | A |
| Peak Forward Surge Current (8.3ms single half sine-wave superimposed on rated load) | I_{FSM} | 50 | | | | | | | A |
| Maximum Instantaneous Forward Voltage (at forward current 1.5A DC) | V_F | 1.0 | | | | | | | V |
| Maximum DC Reverse Current (at rated DC blocking voltage) | I_R | 10.0 500 | | | | | | | μA μA |
| Operating Temperature Range | T_J | -55 to +125 | | | | | | | $^\circ\text{C}$ |
| Storage Temperature | T_{STG} | -55 to +150 | | | | | | | $^\circ\text{C}$ |