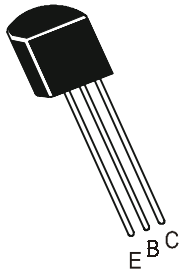


PNP SILICON PLANAR SWITCHING TRANSISTORS

**2N3905
2N3906
TO-92
CBE**



General Purpose Switching And Amplifier Applications

ABSOLUTE MAXIMUM RATINGS(Ta=25deg C unless otherwise specified)

DESCRIPTION	SYMBOL	VALUE	UNITS
Collector -Emitter Voltage	VCEO	40	V
Collector -Base Voltage	VCBO	40	V
Emitter -Base Voltage	VEBO	5.0	V
Collector Current Continuous	IC	200	mA
Power Dissipation Ta=25 degC	PD	625	mW
Derate Above 25deg C		5.0	mW/deg C
Power Dissipation Tc=25 degC	PD	1.5	W
Derate Above 25deg C		12	mW/deg C
Operating And Storage Junction Temperature Range	Tj, Tstg	-55 to +150	deg C

THERMAL RESISTANCE

Junction to Case	Rth(j-c)	125	deg C/W
Junction to Ambient	Rth(j-a)	200	deg C/W

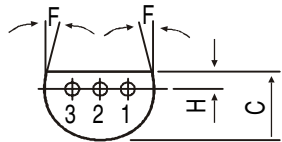
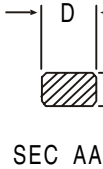
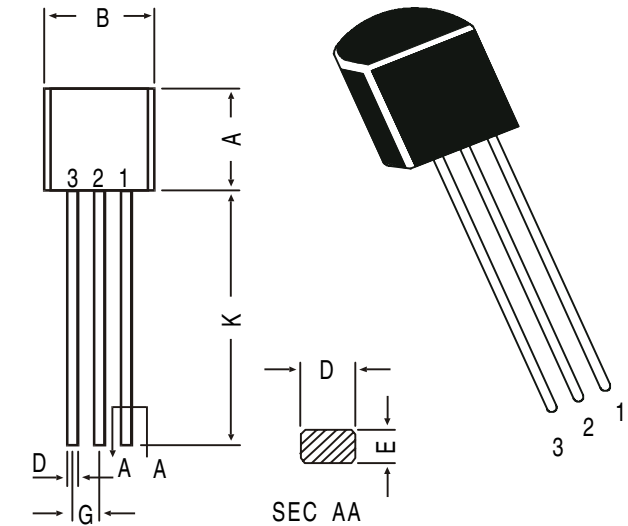
ELECTRICAL CHARACTERISTICS (Ta=25 deg C Unless Otherwise Specified)

DESCRIPTION	SYMBOL	TEST CONDITION	2N3905	2N3906	UNITS
Collector -Emitter Voltage	VCEO	IC=1mA, IB=0	>40	>40	V
Collector -Base Voltage	VCBO	IC=10uA, IE=0	>40	>40	V
Emitter-Base Voltage	VEBO	IE=10uA, IC=0	>5.0	>5.0	V
Collector-Cut off Current	ICEX	VCE=30V, VEB=3V	<50	<50	nA
Base-Cut off Current	IBL	VCE=30V, VEB=3V	<50	<50	nA
DC Current Gain	hFE*	IC=0.1mA, VCE=1V	>30	>60	
		IC=1mA, VCE=1V	>40	>80	
		IC=10mA, VCE=1V	50-150	100-300	
		IC=50mA, VCE=1V	>30	>60	
		IC=100mA, VCE=1V	>15	>30	
Collector Emitter Saturation Voltage	VCE(Sat)*	IC=10mA, IB=1mA	<0.25	<0.25	V
		IC=50mA, IB=5mA	<0.4	<0.4	V
Base Emitter Saturation Voltage	VBE(Sat)*	IC=10mA, IB=1mA	0.65-0.85	0.65-0.85	V
		IC=50mA, IB=5mA	<0.95	<0.95	V

ELECTRICAL CHARACTERISTICS (Ta=25 deg C Unless Otherwise Specified)			2N3905/3906		
DESCRIPTION	SYMBOL	TEST CONDITION	2N3905	2N3906	UNITS
SMALL SIGNAL CHARACTERISTICS					
Transistors Frequency	ft	IC=10mA, VCE=20V f=100MHz	>200	>250	MHz
Output Capacitance	Cob	VCB=5V, IE=0 f=100kHz	<4.5	<4.5	pF
Input Capacitance	Cib	VEB=0.5V, IC=0 f=100kHz	<10	<10	PF
Small Signal Current Gain	hfe	IC=1mA, VCE=10V	50-200	100-400	
Input Impedence	hie	IC=1mA, VCE=10V	0.5-8.0	2.0-12	khoms
Out put Adimttance	hoe	IC=1mA, VCE=10V	1.0-40	3.0-60	umhos
Voltage Feedback Ratio	hre	IC=1mA, VCE=10V	0.1-5.0	0.1-10	x10-4
Noise Figure	NF	IC=100uA, VCE=5V Rs=1kohm f=10Hz to 15.7 kHz	<5.0	<4.0	dB
SWITCHING Time					
Delay time	td	VCC=3V, VBE=0.5V	<35	<35	ns
Rise time	tr	IC=10mA, IB1=1mA	<35	<35	ns
Storage time	ts	VCC=3V, IC=10mA	<200	<225	ns
Fall time	tf	IB1=1B2=1mA	<60	<75	ns

*Pulse Condition: =300us, Duty Cycle=2%

TO-92 Plastic Package



PIN CONFIGURATION

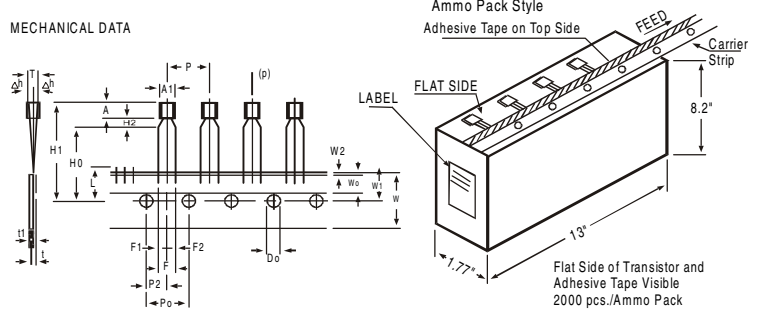
1. COLLECTOR
2. BASE
3. EMITTER

All dimensions in mm.

DIM	MIN.	MAX.
A	4.32	5.33
B	4.45	5.20
C	3.18	4.19
D	0.41	0.55
E	0.35	0.50
F	5 DEG	
G	1.14	1.40
H	1.14	1.53
K	12.70	—

TO-92 Transistors on Tape and Ammo Pack

MECHANICAL DATA



All dimensions in mm unless specified otherwise

ITEM	SYMBOL	SPECIFICATION				REMARKS
		MIN.	NOM.	MAX.	TOL.	
BODY WIDTH	A1	4.0		4.8		
BODY HEIGHT	A	4.8		5.2		
BODY THICKNESS	T	3.9		4.2		
PITCH OF COMPONENT	P		12.7		±1	
FEED HOLE PITCH	Po		12.7		±0.3	CUMULATIVE PITCH ERROR 1.0 mm/20 PITCH
FEED HOLE CENTRE TO COMPONENT CENTRE	P2		6.35		±0.4	TO BE MEASURED AT BOTTOM OF CLINCH
DISTANCE BETWEEN OUTER LEADS	F		5.08		+0.6 -0.2	AT TOP OF BODY
COMPONENT ALIGNMENT	Δh		0	1		
TAPE WIDTH	W		18		±0.5	
HOLD-DOWN TAPE WIDTH	Wo		6		±0.2	
HOLE POSITION	W1		9		+0.7 -0.5	
HOLD-DOWN TAPE POSITION	W2		0.5		±0.2	
LEAD WIRE CLINCH HEIGHT	Ho		16		±0.5	
COMPONENT HEIGHT	H1			23.25 11.0		
LENGTH OF SNIPPED LEADS	L					
FEED HOLE DIAMETER	Do		4		±0.2	
TOTAL TAPE THICKNESS	t			1.2		t1 0.3 - 0.6
LEAD - TO - LEAD DISTANCE F1,	F2		2.54		+0.4 -0.1	
CLINCH HEIGHT	H2			3		
PULL - OUT FORCE	(P)		6N			

NOTES

1. MAXIMUM ALIGNMENT DEVIATION BETWEEN LEADS NOT TO BE GREATER THAN 0.2 mm.
2. MAXIMUM NON-CUMULATIVE VARIATION BETWEEN TAPE FEED HOLES SHALL NOT EXCEED 1 mm IN 20 PITCHES.
3. HOLDDOWN TAPE NOT TO EXCEED BEYOND THE EDGE(S) OF CARRIER TAPE AND THERE SHALL BE NO EXPOSURE OF ADHESIVE.
4. NO MORE THAN 3 CONSECUTIVE MISSING COMPONENTS ARE PERMITTED.
5. A TAPE TRAILER, HAVING AT LEAST THREE FEED HOLES ARE REQUIRED AFTER THE LAST COMPONENT.
6. SPLICES SHALL NOT INTERFERE WITH THE SPROCKET FEED HOLES.

Packing Detail

PACKAGE	STANDARD PACK		INNER CARTON BOX		OUTER CARTON BOX		
	Details	Net Weight/Qty	Size	Qty	Size	Qty	Gr Wt
TO-92 Bulk	1K/polybag	200 gm/1K pcs	3" x 7.5" x 7.5"	5.0K	17" x 15" x 13.5"	80.0K	23 kgs
TO-92 T&A	2K/ammo box	645 gm/2K pcs	12.5" x 8" x 1.8"	2.0K	17" x 15" x 13.5"	32.0K	12.5 kgs

Notes

Disclaimer

The product information and the selection guides facilitate selection of the CDIL's Discrete Semiconductor Device(s) best suited for application in your product(s) as per your requirement. It is recommended that you completely review our Data Sheet(s) so as to confirm that the Device(s) meet functionality parameters for your application. The information furnished on the CDIL Web Site/CD is believed to be accurate and reliable. CDIL however, does not assume responsibility for inaccuracies or incomplete information. Furthermore, CDIL does not assume liability whatsoever, arising out of the application or use of any CDIL product; neither does it convey any license under its patent rights nor rights of others. These products are not designed for use in life saving/support appliances or systems. CDIL customers selling these products (either as individual Discrete Semiconductor Devices or incorporated in their end products), in any life saving/support appliances or systems or applications do so at their own risk and CDIL will not be responsible for any damages resulting from such sale(s).

CDIL strives for continuous improvement and reserves the right to change the specifications of its products without prior notice.



CDIL is a registered Trademark of

Continental Device India Limited

C-120 Naraina Industrial Area, New Delhi 110 028, India.

Telephone + 91-11-2579 6150, 5141 1112 Fax + 91-11-2579 5290, 5141 1119

email@cdil.com www.cdilsemi.com