

**SOT-23 Formed SMD Package**

**BC856 BC857  
BC858**

**SILICON PLANAR EPITAXIAL TRANSISTORS**

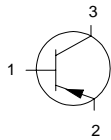
*P-N-P transistors*

**Marking**

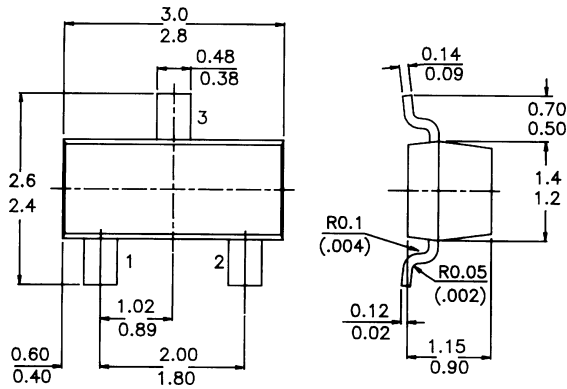
- BC856 = 3D
- BC856A = 3A
- BC856B = 3B
- BC857 = 3H
- BC857A = 3E
- BC857B = 3F
- BC857C = 3G
- BC858 = 3M
- BC858A = 3J
- BC858B = 3K
- BC858C = 3L

**Pin configuration**

- 1 = BASE
- 2 = EMITTER
- 3 = COLLECTOR



**PACKAGE OUTLINE DETAILS  
ALL DIMENSIONS IN mm**



**ABSOLUTE MAXIMUM RATINGS**

	<b>BC856</b>	<b>BC857</b>	<b>BC858</b>
Collector-emitter voltage ( $+V_{BE} = 1\text{ V}$ )	$-V_{CEX}$ max. 80	50	30 V
Collector-emitter voltage (open base)	$-V_{CE0}$ max. 65	45	30 V
Collector current (peak value)	$-I_{CM}$ max.	200	mA
Total power dissipation up to $T_{amb} = 60\text{ }^{\circ}\text{C}$	$P_{tot}$ max.	250	mW
Junction temperature	$T_j$ max.	150	$^{\circ}\text{C}$
Small-signal current gain $-I_C = 2\text{ mA}; -V_{CE} = 5\text{ V}; f = 1\text{ kHz}$	$h_{fe}$	75 to 900	
Transition frequency at $f = 100\text{ MHz}$ $-I_C = 10\text{ mA}; -V_{CE} = 5\text{ V}$	$f_T$ >	100	MHz
Noise figure at $R_S = 2\text{ kW}$ $-I_C = 200\text{ mA}; -V_{CE} = 5\text{ V}$ $f = 1\text{ kHz}; B = 200\text{ Hz}$	$F$ <	10	dB

**BC856 BC857  
BC858**

**RATINGS** (at  $T_A = 25^\circ\text{C}$  unless otherwise specified)

Limiting values

		<b>BC856 BC857 BC858</b>		
Collector-base voltage (open emitter)	$-V_{CBO}$	max. 80	50	30 V
Collector-emitter voltage ( $+V_{BE} = 1\text{ V}$ )	$-V_{CEX}$	max. 80	50	30 V
Collector-emitter voltage (open base)	$-V_{CEO}$	max. 65	45	30 V
Emitter-base voltage (open collector)	$-V_{EBO}$	max. 5	5	5 V
Collector current (d.c.)	$-I_C$	max.	100	mA
Collector current (peak value)	$-I_{CM}$	max.	200	mA
Emitter current (peak value)	$I_{EM}$	max.	200	mA
Base current (peak value)	$-I_{BM}$	max.	200	mA
Total power dissipation up to $T_{amb}: 60^\circ\text{C}$	$P_{tot}$	max.	250	mW
Storage temperature	$T_{stg}$		-55 to +150	$^\circ\text{C}$
Junction temperature	$T_j$	max.	150	$^\circ\text{C}$

**THERMAL CHARACTERISTICS**

$$T_j = P_x (R_{th\ j-t} + R_{th\ t-s} + R_{th\ s-a}) + T_{amb}$$

Thermal resistance

From junction to tab	$R_{th\ j-t}$	=	60	KW
From tab to soldering points	$R_{th\ t-s}$	=	280	KW
From soldering points to ambient	$R_{th\ s-a}$	=	90	KW

**CHARACTERISTICS**

$T_j = 25^\circ\text{C}$  unless otherwise specified

Collector cut-off current

$I_E = 0; -V_{CB} = 30\text{V}; T_j = 25^\circ\text{C}$	$-I_{CBO}$	typ.	1	nA
		<	15	nA
$T_j = 150^\circ\text{C}$	$-I_{CBO}$	<	4	mA

Base-emitter voltage

$-I_C = 2\text{ mA}; -V_{CE} = 5\text{ V}$	$-V_{BE}$	typ.	650	mV
			600 to 750	mV
$-I_C = 10\text{ mA}; -V_{CE} = 5\text{ V}$	$-V_{BE}$	<	820	mV

Saturation voltages

$-I_C = 10\text{ mA}; -I_B = 0,5\text{ mA}$	$-V_{CEsat}$	typ.	75	mV
		<	300	mV
	$-V_{BEsat}$	typ.	700	mV
$-I_C = 100\text{ mA}; -I_B = 5\text{ mA}$	$-V_{CEsat}$	typ.	250	mV
		<	650	mV
	$-V_{BEsat}$	typ.	850	mV

Knee voltage

$-I_C = 10\text{ mA}; -I_B = \text{value for which}$ $-I_C = 11\text{ mA at } -V_{CE} = 1\text{ V}$	$-V_{CEK}$	typ.	250	mV
		<	600	mV

**BC856 BC857  
BC858**

Collector capacitance at $f = 1$ MHz $I_E = I_e = 0$ ; $-V_{CB} = 10$ V	$C_c$	typ.	4,5 pF
Transition frequency at $f = 100$ MHz $-I_C = 10$ mA; $-V_{CE} = 5$ V	$f_T$	>	100 MHz
Small-signal current gain at $f = 1$ kHz $-I_C = 2$ mA; $-V_{CE} = 5$ V	$h_{fe}$		125 to 800
Noise figure at $R_S = 2$ kW $-I_C = 200$ mA; $-V_{CE} = 5$ V $f = 1$ kHz; $B = 200$ Hz	$F$	typ. <	2 dB 10 dB
D.C. current gain $-I_C = 2$ mA; $-V_{CE} = 5$ V	$h_{FE}$		220 to 475
BC856	$h_{FE}$		125 to 800
BC858/857	$h_{FE}$		125 to 250
BC856A/857A/858A	$h_{FE}$		220 to 475
BC856B/857B/858B	$h_{FE}$		420 to 800
BC857C/858C	$h_{FE}$		

### Disclaimer

The product information and the selection guides facilitate selection of the CDIL's Discrete Semiconductor Device(s) best suited for application in your product(s) as per your requirement. It is recommended that you completely review our Data Sheet(s) so as to confirm that the Device(s) meet functionality parameters for your application. The information furnished on the CDIL Web Site/ CD is believed to be accurate and reliable. CDIL however, does not assume responsibility for inaccuracies or incomplete information. Furthermore, CDIL does not assume liability whatsoever, arising out of the application or use of any CDIL product; neither does it convey any license under its patent rights nor rights of others. These products are not designed for use in life saving/support appliances or systems. CDIL customers selling these products (either as individual Discrete Semiconductor Devices or incorporated in their end products), in any life saving/support appliances or systems or applications do so at their own risk and CDIL will not be responsible for any damages resulting from such sale(s).

CDIL strives for continuous improvement and reserves the right to change the specifications of its products without prior notice.



CDIL is a registered Trademark of  
**Continental Device India Limited**

C-120 Naraina Industrial Area, New Delhi 110 028, India.  
Telephone + 91-11-579 6150 Fax + 91-11-579 9569, 579 5290  
e-mail sales@cdil.com www.cdil.com