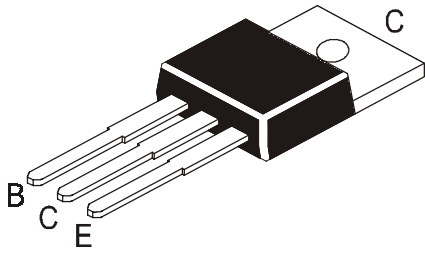


**NPN SILICON PLANAR POWER TRANSISTOR**

**BD707**



**TO-220  
Plastic Package**

**For use in Power Linear and Switching Applications**

**ABSOLUTE MAXIMUM RATINGS**

DESCRIPTION	SYMBOL	VALUE	UNIT
Collector Base Voltage	$V_{CBO}$	60	V
Collector Emitter Voltage	$V_{CER}$	60	V
Collector Emitter Voltage	$V_{CEO}$	60	V
Emitter Base Voltage	$V_{EBO}$	5	V
Collector Current	$I_C$	12	A
Collector Peak Current	$I_{CM}$	18	
Base Current	$I_B$	5	A
Power Dissipation @ $T_c \leq 25^\circ C$	$P_{tot}$	75	W
Operating & Storage Junction Temperature Range	$T_j, T_{stg}$	- 65 to +150	$^\circ C$

**THERMAL RESISTANCE**

Junction to Case	$R_{th(j-c)}$	1.67	$^\circ C/W$
Junction to Ambient	$R_{th(j-a)}$	70	$^\circ C/W$

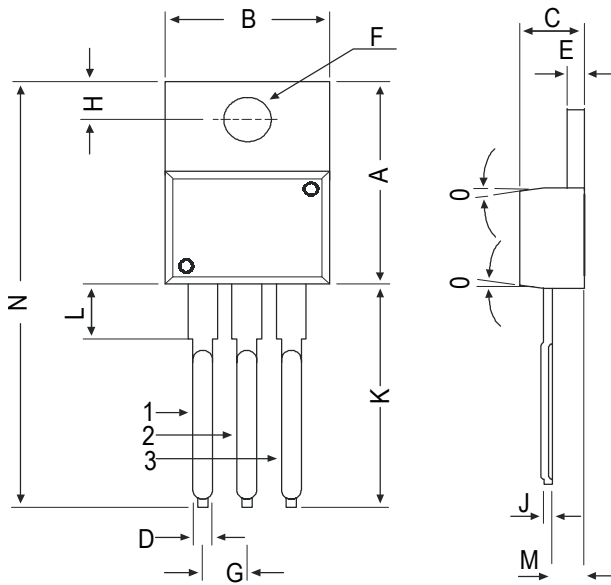
**ELECTRICAL CHARACTERISTICS ( $T_c=25^\circ C$  Unless Specified Otherwise)**

DESCRIPTION	SYMBOL	TEST CONDITION	MIN	TYP	MAX	UNIT
Collector Cut off Current	$I_{CBO}$	$V_{CB}=60V, I_E=0$			100	$\mu A$
		$T_c=150^\circ C$ $V_{CB}=60V, I_E=0$			1.0	mA
Collector Cut off Current	$I_{CEO}$	$V_{CE}=30V, I_B=0$			100	mA
Emitter Cut off Current	$I_{EBO}$	$V_{EB}=5V, I_C=0$			1.0	mA
Collector Emitter Sustaining Voltage	$V_{CEO(sus)}^*$	$I_C=100mA, I_B=0$	60			V
Collector Emitter Saturation Voltage	$V_{CE(sat)}^*$	$I_C=4A, I_B=0.4A$			1.0	V
Knee Voltage	$V_{CEK}^*$	$I_C=3A, I_B=**$			0.4	V
Base Emitter on Voltage	$V_{BE(on)}^*$	$I_C=4A, V_{CE}=4V$			1.5	V
DC Current Gain	$h_{FE}^*$	$I_C=0.5A, V_{CE}=2V$	40		400	
		$I_C=2A, V_{CE}=2V$	30			
		$I_C=4A, V_{CE}=4V$	15		150	
		$I_C=10A, V_{CE}=4V$	5			
Transition frequency	$f_T$	$I_C=300mA, V_{CE}=3V$	3			MHz

\*Pulsed : Pulse duration =300 $\mu s$ , duty cycle1.5%

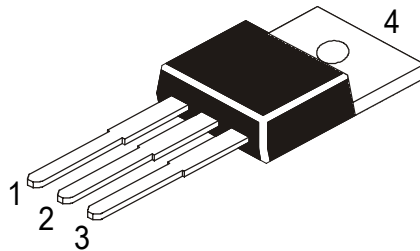
\*\*Value for which  $I_C=3.3A$  @  $V_{CE}=2V$

TO-220 Plastic Package



DIM	MIN	MAX
A	14.42	16.51
B	9.63	10.67
C	3.56	4.83
D	—	0.90
E	1.15	1.40
F	3.75	3.88
G	2.29	2.79
H	2.54	3.43
J	—	0.56
K	12.70	14.73
L	2.80	4.07
M	2.03	2.92
N	—	31.24
O	7 DEG	

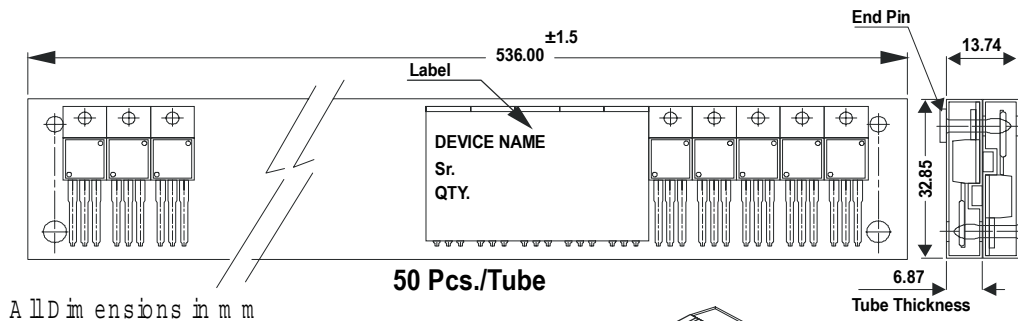
All dimensions in mm.



Pin Configuration

1. Base
2. Collector
3. Emitter
4. Collector

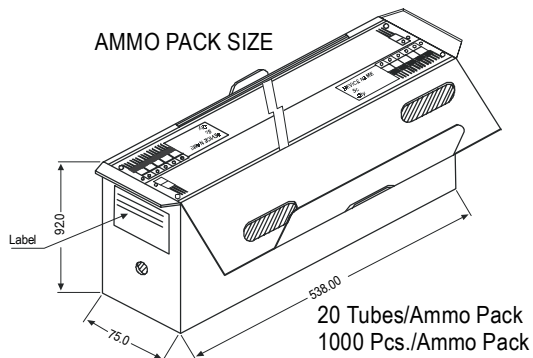
TO-220 Tube Packing



All dimensions in mm

50 Pcs./Tube

AMMO PACK SIZE



20 Tubes/Ammo Pack  
1000 Pcs./Ammo Pack

Packing Detail

PACKAGE	STANDARD PACK		INNER CARTON BOX		OUTER CARTON BOX		
	Details	Net Weight/Qty	Size	Qty	Size	Qty	Gr Wt
TO-220 / FP	200 pcs/polybag	396 gm/200 pcs	3" x 7.5" x 7.5"	1.0K	17" x 15" x 13.5"	16.0K	36 kgs
	50 pcs/tube	120 gm/50 pcs	3.5" x 3.7" x 21.5"	1.0K	19" x 19" x 19"	10.0K	29 kgs

### **Disclaimer**

The product information and the selection guides facilitate selection of the CDIL's Discrete Semiconductor Device(s) best suited for application in your product(s) as per your requirement. It is recommended that you completely review our Data Sheet(s) so as to confirm that the Device(s) meet functionality parameters for your application. The information furnished in the Data Sheet and on the CDIL Web Site/CD is believed to be accurate and reliable. CDIL however, does not assume responsibility for inaccuracies or incomplete information. Furthermore, CDIL does not assume liability whatsoever, arising out of the application or use of any CDIL product; neither does it convey any license under its patent rights nor rights of others. These products are not designed for use in life saving/support appliances or systems. CDIL customers selling these products (either as individual Discrete Semiconductor Devices or incorporated in their end products), in any life saving/support appliances or systems or applications do so at their own risk and CDIL will not be responsible for any damages resulting from such sale(s).

CDIL strives for continuous improvement and reserves the right to change the specifications of its products without prior notice.



CDIL is a registered Trademark of

**Continental Device India Limited**

C-120 Naraina Industrial Area, New Delhi 110 028, India.

Telephone + 91-11-579 6150 Fax + 91-11-579 9569, 579 5290

e-mail [sales@cdil.com](mailto:sales@cdil.com) [www.cdil.com](http://www.cdil.com)