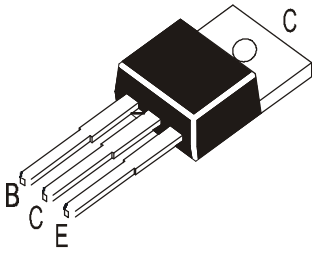


NPN PLASTIC POWER TRANSISTORS

**BU406
BU407**

**TO-220
Plastic Package**



Horizontal Deflection Output Stages of TV and CRT

ABSOLUTE MAXIMUM RATINGS (T_a=25°C)

DESCRIPTION	SYMBOL	BU406	BU407	UNIT
Collector Emitter Voltage	V _{CEO}	200	150	V
Collector Base Voltage	V _{CBO}	400	330	V
Collector Emitter Voltage	V _{CEV}	400	330	V
Emitter Base Voltage	V _{EBO}	6		V
Collector Current Continuous	I _C	7		A
Collector Current Repetitive Peak	I _{CM}	10		A
Collector Current (10ms) Peak	I _{CM}	15		A
Base Current	I _B	4		A
Power Dissipation upto T _c =25°C	P _D	60		W
Derate above 25°C		480		mW/°C
Power Dissipation upto T _a =25°C	P _D	2		W
Derate above 25°C		16		mW/°C
Operating and Storage Junction Temperature	T _j , T _{stg}	- 65 to +150		°C

THERMAL RESISTANCE

Junction to Case	R _{th(j-c)}	2.08	°C/W
Junction to Ambient in free air	R _{th(j-a)}	62.5	°C/W

ELECTRICAL CHARACTERISTICS (T_c=25°C unless specified otherwise)

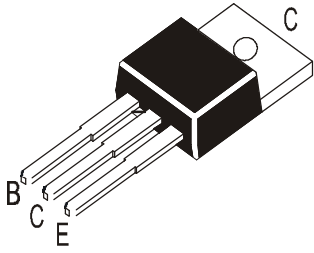
DESCRIPTION	SYMBOL	TEST CONDITION	MIN	MAX	UNIT
Collector Emitter (sus) Voltage	*V _{CEO(sus)}	I _C =100mA, I _B =0	BU406	200	V
			BU407	150	V
Collector Cut off Current	I _{CES}	V _{CE} =400V, V _{BE} =0	BU406		5.0
		V _{CE} =330V, V _{BE} =0	BU407		5.0
		V _{CE} =250V, V _{BE} =0	BU406		0.1
		V _{CE} =200V, V _{BE} =0	BU407		0.1
		T _c =150°C			
		V _{CE} =250V, V _{BE} =0	BU406		1.0
V _{CE} =200V, V _{BE} =0	BU407		1.0		

*Pulse Test : Pulse width ≤300ms, Duty Cycle ≤1%

PLASTIC POWER TRANSISTORS

**BU406
BU407**

**TO-220
Plastic Package**



ELECTRICAL CHARACTERISTICS (T_c=25°C unless specified otherwise)

DESCRIPTION	SYMBOL	TEST CONDITION	MIN	MAX	UNIT
Emitter Cut off Current	I _{EBO}	V _{EB} =6V, I _C =0		1.0	mA
Collector Emitter Saturation Voltage	*V _{CE (sat)}	I _C =5A, I _B =0.5A		1.0	V
Base Emitter Saturation Voltage	*V _{BE (sat)}	I _C =5A, I _B =0.5A		1.2	V
DC Current Gain	*h _{FE}	I _C =5A, V _{CE} =1V	10		

DYNAMIC CHARACTERISTIC

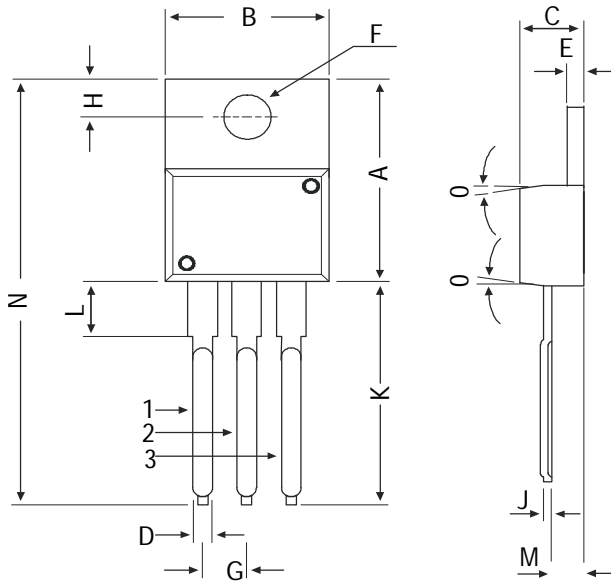
DESCRIPTION	SYMBOL	TEST CONDITION	MIN	MAX	UNIT
Transition Frequency	f _T	I _C =0.5A, V _{CE} =10V, f=20MHz	10		MHz
Output Capacitance	C _{ob}	V _{CB} =10V, I _E =0, f=1MHz		Typ. 80	pF

SWITCHING CHARACTERISTICS

DESCRIPTION	SYMBOL	TEST CONDITION	MIN	MAX	UNIT
Inductive Load Crossover Time	t _c	V _{cc} =40V, I _c =5A, I _{B1} =I _{B2} =0.5A, L=150μH		0.75	μs

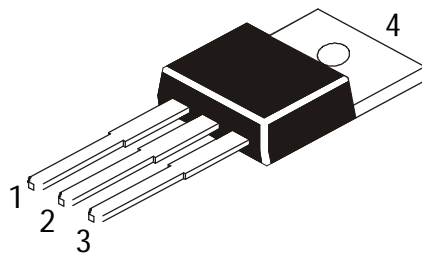
*Pulse Test : Pulse width ≤300ms, Duty Cycle ≤ 1%

TO-220 Plastic Package



DIM	MIN	MAX
A	14.42	16.51
B	9.63	10.67
C	3.56	4.83
D	—	0.90
E	1.15	1.40
F	3.75	3.88
G	2.29	2.79
H	2.54	3.43
J	—	0.56
K	12.70	14.73
L	2.80	4.07
M	2.03	2.92
N	—	31.24
O	7 DEG	

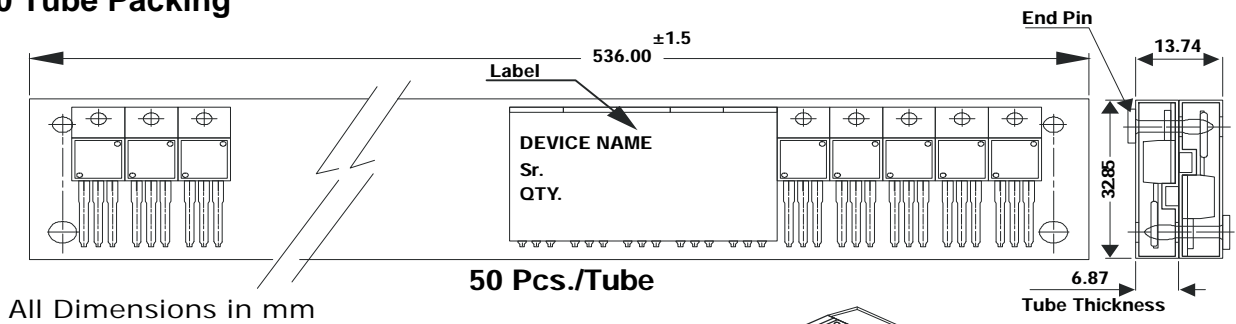
All dimensions in mm.



Pin Configuration

1. Base
2. Collector
3. Emitter
4. Collector

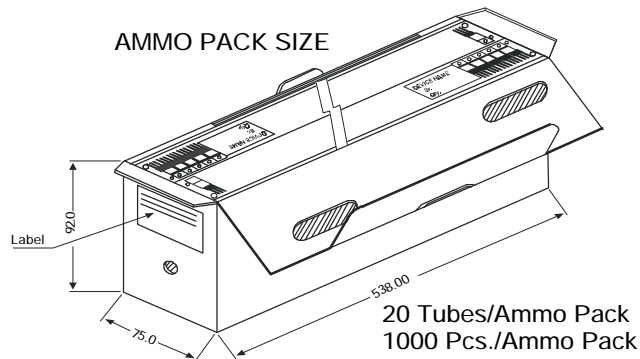
TO-220 Tube Packing



All Dimensions in mm

50 Pcs./Tube

AMMO PACK SIZE



20 Tubes/Ammo Pack
1000 Pcs./Ammo Pack

Packing Details

PACKAGE	STANDARD PACK		INNER CARTON BOX		OUTER CARTON BOX		
	Details	Net Weight/Qty	Size	Qty	Size	Qty	Gr Wt
TO-220	200 pcs/polybag	396 gm/200 pcs	3" x 7.5" x 7.5"	1.0K	17" x 15" x 13.5"	16.0K	36 kgs
	50 pcs/tube	120 gm/50 pcs	3.5" x 3.7" x 21.5"	1.0K	19" x 19" x 19"	10.0K	29 kgs

Disclaimer

The product information and the selection guides facilitate selection of the CDIL's Discrete Semiconductor Device(s) best suited for application in your product(s) as per your requirement. It is recommended that you completely review our Data Sheet(s) so as to confirm that the Device(s) meet functionality parameters for your application. The information furnished in the Data Sheet and on the CDIL Web Site/CD are believed to be accurate and reliable. CDIL however, does not assume responsibility for inaccuracies or incomplete information. Furthermore, CDIL does not assume liability whatsoever, arising out of the application or use of any CDIL product; neither does it convey any license under its patent rights nor rights of others. These products are not designed for use in life saving/support appliances or systems. CDIL customers selling these products (either as individual Discrete Semiconductor Devices or incorporated in their end products), in any life saving/support appliances or systems or applications do so at their own risk and CDIL will not be responsible for any damages resulting from such sale(s).

CDIL strives for continuous improvement and reserves the right to change the specifications of its products without prior notice.



CDIL is a registered Trademark of
Continental Device India Limited

C-120 Naraina Industrial Area, New Delhi 110 028, India.
Telephone + 91-11-2579 6150 Fax + 91-11-2579 9569, 2579 5290
e-mail sales@cdil.com www.cdil.com www.cdilsemi.com