

## CD4001BC/CD4011BC

### Quad 2-Input NOR Buffered B Series Gate • Quad 2-Input NAND Buffered B Series Gate

#### General Description

The CD4001BC and CD4011BC quad gates are monolithic complementary MOS (CMOS) integrated circuits constructed with N- and P-channel enhancement mode transistors. They have equal source and sink current capabilities and conform to standard B series output drive. The devices also have buffered outputs which improve transfer characteristics by providing very high gain.

All inputs are protected against static discharge with diodes to  $V_{DD}$  and  $V_{SS}$ .

#### Features

- Low power TTL:
  - Fan out of 2 driving 74L compatibility: or 1 driving 74LS
- 5V–10V–15V parametric ratings
- Symmetrical output characteristics
- Maximum input leakage 1  $\mu$ A at 15V over full temperature range

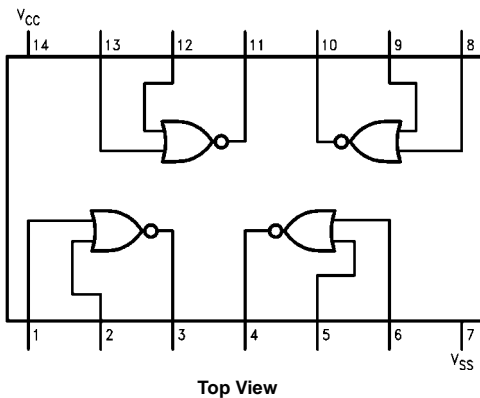
#### Ordering Code:

| Order Number | Package Number | Package Description  |
|--------------|----------------|--|
| CD4001BCM    | M14A           | 14-Lead Small Outline Integrated Circuit (SOIC), JEDEC MS-012, 0.150" Narrow |
| CD4001BCSJ   | M14D           | 14-Lead Small Outline Package (SOP), EIAJ TYPE II, 5.3mm Wide                |
| CD4001BCN    | N14A           | 14-Lead Plastic Dual-In-Line Package (PDIP), JEDEC MS-001, 0.300" Wide       |
| CD4011BCM    | M14A           | 14-Lead Small Outline Integrated Circuit (SOIC), JEDEC MS-012, 0.150" Narrow |
| CD4011BCN    | N14A           | 14-Lead Plastic Dual-In-Line Package (PDIP), JEDEC MS-001, 0.300" Wide       |

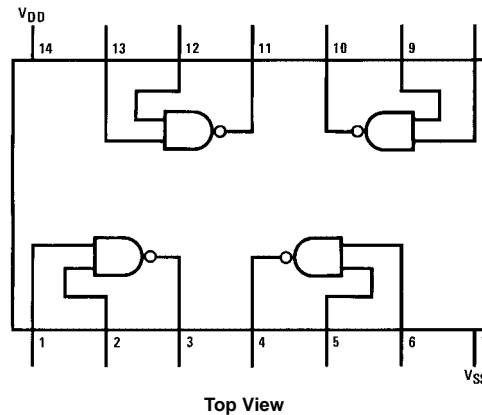
Devices also available in Tape and Reel. Specify by appending the suffix letter "X" to the ordering code.

#### Connection Diagrams

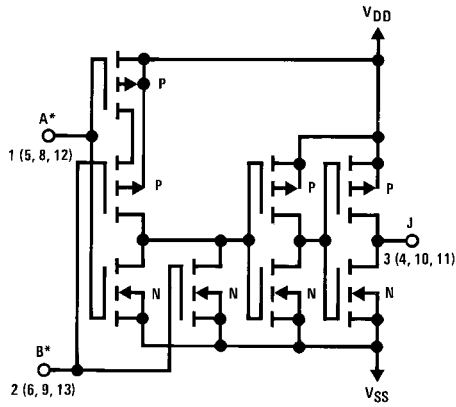
Pin Assignments for DIP, SOIC and SOP  
CD4001BC



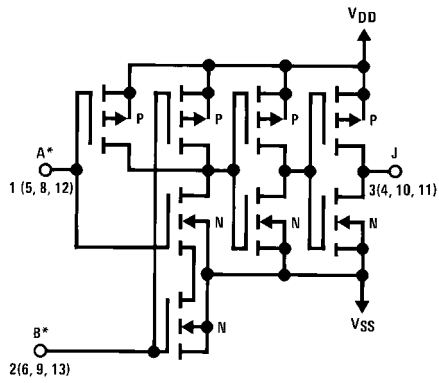
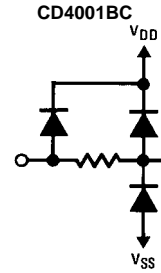
Pin Assignments for DIP and SOIC  
CD4011BC



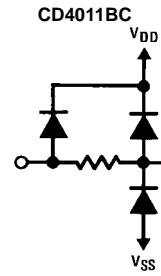
Schematic Diagrams



$1/4$  of device shown  
 $J = \overline{A + B}$   
 Logical "1" = HIGH  
 Logical "0" = LOW  
 All inputs protected by standard  
 CMOS protection circuit.



$1/4$  of device shown  
 $J = \overline{A \cdot B}$   
 Logical "1" = HIGH  
 Logical "0" = LOW  
 All inputs protected by standard  
 CMOS protection circuit.



| Absolute Maximum Ratings <sup>(Note 1)</sup> |   | Recommended Operating Conditions   |   |
|--|---|--|---|
| (Note 2)                                     |   |  |   |
| Voltage at any Pin                           | -0.5V to V <sub>DD</sub> +0.5V              | Operating Range (V <sub>DD</sub> )   | 3 V <sub>DC</sub> to 15 V <sub>DC</sub> |
| Power Dissipation (P <sub>D</sub> )          |   | Operating Temperature Range  |   |
| Dual-In-Line                                 | 700 mW                                      | CD4001BC, CD4011BC   | -55°C to +125°C                         |
| Small Outline                                | 500 mW                                      |  |   |
| V <sub>DD</sub> Range                        | -0.5 V <sub>DC</sub> to +18 V <sub>DC</sub> | <b>Note 1:</b> "Absolute Maximum Ratings" are those values beyond which the safety of the device cannot be guaranteed. Except for "Operating Temperature Range" they are not meant to imply that the devices should be operated at these limits. The Electrical Characteristics tables provide conditions for actual device operation. |   |
| Storage Temperature (T <sub>S</sub> )        | -65°C to +150°C                             | <b>Note 2:</b> All voltages measured with respect to V <sub>SS</sub> unless otherwise specified.   |   |
| Lead Temperature (T <sub>L</sub> )           |   |  |   |
| (Soldering, 10 seconds)                      | 260°C                                       |  |   |

### DC Electrical Characteristics (Note 2)

| Symbol          | Parameter                          | Conditions   | -55°C                 |                      | +25°C                 |                                       |                      | +125°C                |                      | Units |
|-----------------|------------------------------------|--|-----------------------|----------------------|-----------------------|---------------------------------------|----------------------|-----------------------|----------------------|-------|
|                 |                                    |  | Min                   | Max                  | Min                   | Typ                                   | Max                  | Min                   | Max                  |       |
| I <sub>DD</sub> | Quiescent Device Current           | V <sub>DD</sub> = 5V, V <sub>IN</sub> = V <sub>DD</sub> or V <sub>SS</sub><br>V <sub>DD</sub> = 10V, V <sub>IN</sub> = V <sub>DD</sub> or V <sub>SS</sub><br>V <sub>DD</sub> = 15V, V <sub>IN</sub> = V <sub>DD</sub> or V <sub>SS</sub> |                       | 0.25<br>0.5<br>1.0   |                       | 0.004<br>0.005<br>0.006               | 0.25<br>0.50<br>1.0  |                       | 7.5<br>15<br>30      | μA    |
| V <sub>OL</sub> | LOW Level Output Voltage           | V <sub>DD</sub> = 5V<br>V <sub>DD</sub> = 10V  I <sub>O</sub>   < 1 μA<br>V <sub>DD</sub> = 15V  |                       | 0.05<br>0.05<br>0.05 |                       | 0<br>0<br>0                           | 0.05<br>0.05<br>0.05 |                       | 0.05<br>0.05<br>0.05 | V     |
| V <sub>OH</sub> | HIGH Level Output Voltage          | V <sub>DD</sub> = 5V<br>V <sub>DD</sub> = 10V  I <sub>O</sub>   < 1 μA<br>V <sub>DD</sub> = 15V  | 4.95<br>9.95<br>14.95 |                      | 4.95<br>9.95<br>14.95 | 5<br>10<br>15                         |                      | 4.95<br>9.95<br>14.95 |                      | V     |
| V <sub>IL</sub> | LOW Level Input Voltage            | V <sub>DD</sub> = 5V, V <sub>O</sub> = 4.5V<br>V <sub>DD</sub> = 10V, V <sub>O</sub> = 9.0V<br>V <sub>DD</sub> = 15V, V <sub>O</sub> = 13.5V   |                       | 1.5<br>3.0<br>4.0    |                       | 2<br>4<br>6                           | 1.5<br>3.0<br>4.0    |                       | 1.5<br>3.0<br>4.0    | V     |
| V <sub>IH</sub> | HIGH Level Input Voltage           | V <sub>DD</sub> = 5V, V <sub>O</sub> = 0.5V<br>V <sub>DD</sub> = 10V, V <sub>O</sub> = 1.0V<br>V <sub>DD</sub> = 15V, V <sub>O</sub> = 1.5V  | 3.5<br>7.0<br>11.0    |                      | 3.5<br>7.0<br>11.0    | 3<br>6<br>9                           |                      | 3.5<br>7.0<br>11.0    |                      | V     |
| I <sub>OL</sub> | LOW Level Output Current (Note 3)  | V <sub>DD</sub> = 5V, V <sub>O</sub> = 0.4V<br>V <sub>DD</sub> = 10V, V <sub>O</sub> = 0.5V<br>V <sub>DD</sub> = 15V, V <sub>O</sub> = 1.5V  | 0.64<br>1.6<br>4.2    |                      | 0.51<br>1.3<br>3.4    | 0.88<br>2.25<br>8.8                   |                      | 0.36<br>0.9<br>2.4    |                      | mA    |
| I <sub>OH</sub> | HIGH Level Output Current (Note 3) | V <sub>DD</sub> = 5V, V <sub>O</sub> = 4.6V<br>V <sub>DD</sub> = 10V, V <sub>O</sub> = 9.5V<br>V <sub>DD</sub> = 15V, V <sub>O</sub> = 13.5V   | -0.64<br>-1.6<br>-4.2 |                      | -0.51<br>-1.3<br>-3.4 | -0.88<br>-2.25<br>-8.8                |                      | -0.36<br>-0.9<br>-2.4 |                      | mA    |
| I <sub>IN</sub> | Input Current                      | V <sub>DD</sub> = 15V, V <sub>IN</sub> = 0V<br>V <sub>DD</sub> = 15V, V <sub>IN</sub> = 15V  |                       | -0.10<br>0.1         |                       | -10 <sup>-6</sup><br>10 <sup>-5</sup> | -0.10<br>0.10        |                       | -1.0<br>1.0          | μA    |

**Note 3:** I<sub>OL</sub> and I<sub>OH</sub> are tested one output at a time.

### AC Electrical Characteristics (Note 4)

CD4001BC: T<sub>A</sub> = 25°C, Input t<sub>r</sub>: t<sub>f</sub> = 20 ns. C<sub>L</sub> = 50 pF, R<sub>L</sub> = 200k. Typical temperature coefficient is 0.3%/°C.

| Symbol                              | Parameter                                 | Conditions   | Typ             | Max              | Units |
|-------------------------------------|---|--|-----------------|------------------|-------|
| t <sub>PHL</sub>                    | Propagation Delay Time, HIGH-to-LOW Level | V <sub>DD</sub> = 5V<br>V <sub>DD</sub> = 10V<br>V <sub>DD</sub> = 15V | 120<br>50<br>35 | 250<br>100<br>70 | ns    |
| t <sub>PLH</sub>                    | Propagation Delay Time, LOW-to-HIGH Level | V <sub>DD</sub> = 5V<br>V <sub>DD</sub> = 10V<br>V <sub>DD</sub> = 15V | 110<br>50<br>35 | 250<br>100<br>70 | ns    |
| t <sub>THL</sub> , t <sub>TLH</sub> | Transition Time                           | V <sub>DD</sub> = 5V<br>V <sub>DD</sub> = 10V<br>V <sub>DD</sub> = 15V | 90<br>50<br>40  | 200<br>100<br>80 | ns    |
| C <sub>IN</sub>                     | Average Input Capacitance                 | Any Input  | 5               | 7.5              | pF    |
| C <sub>PD</sub>                     | Power Dissipation Capacity                | Any Gate   | 14              |                  | pF    |

**Note 4:** AC Parameters are guaranteed by DC correlated testing.

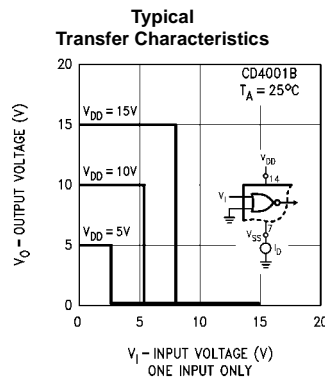
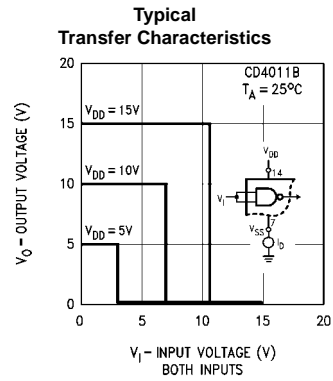
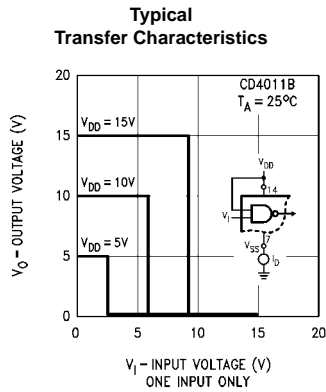
### AC Electrical Characteristics (Note 5)

CD4011BC:  $T_A = 25^\circ\text{C}$ , Input  $t_r$ ;  $t_f = 20$  ns.  $C_L = 50$  pF,  $R_L = 200\text{k}$ . Typical Temperature Coefficient is  $0.3\%/^\circ\text{C}$ .

| Symbol                | Parameter                               | Conditions   | Typ             | Max              | Units |
|-----------------------|---|--|-----------------|------------------|-------|
| $t_{PHL}$             | Propagation Delay,<br>HIGH-to-LOW Level | $V_{DD} = 5\text{V}$<br>$V_{DD} = 10\text{V}$<br>$V_{DD} = 15\text{V}$ | 120<br>50<br>35 | 250<br>100<br>70 | ns    |
| $t_{PLH}$             | Propagation Delay,<br>LOW-to-HIGH Level | $V_{DD} = 5\text{V}$<br>$V_{DD} = 10\text{V}$<br>$V_{DD} = 15\text{V}$ | 85<br>40<br>30  | 250<br>100<br>70 | ns    |
| $t_{THL}$ , $t_{TLH}$ | Transition Time                         | $V_{DD} = 5\text{V}$<br>$V_{DD} = 10\text{V}$<br>$V_{DD} = 15\text{V}$ | 90<br>50<br>40  | 200<br>100<br>80 | ns    |
| $C_{IN}$              | Average Input Capacitance               | Any Input  | 5               | 7.5              | pF    |
| $C_{PD}$              | Power Dissipation Capacity              | Any Gate   | 14              |                  | pF    |

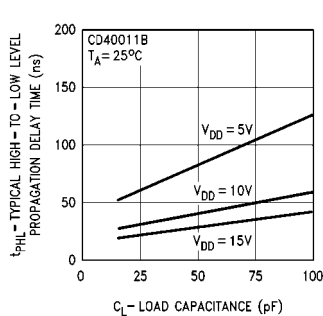
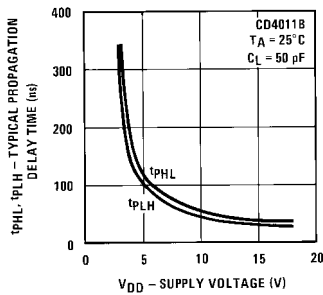
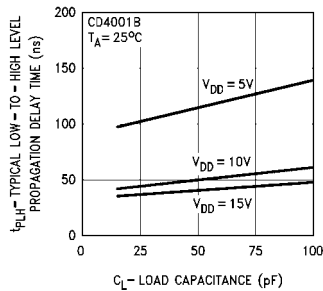
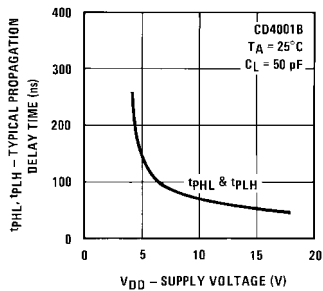
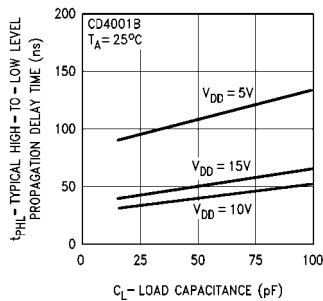
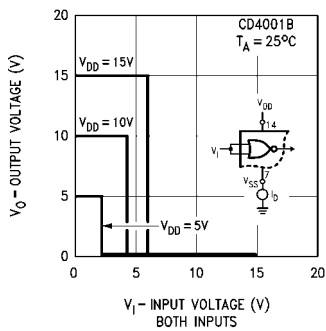
Note 5: AC Parameters are guaranteed by DC correlated testing.

### Typical Performance Characteristics

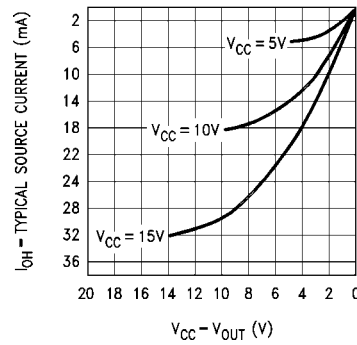
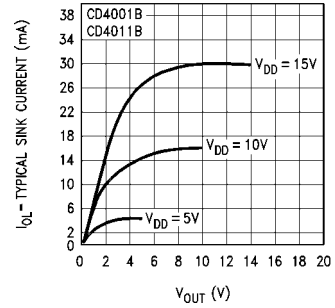
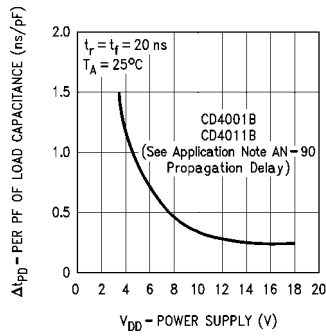
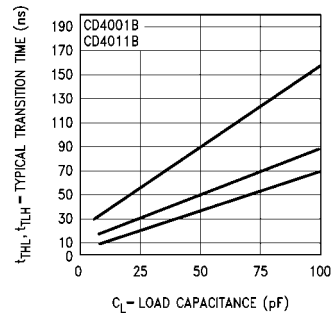
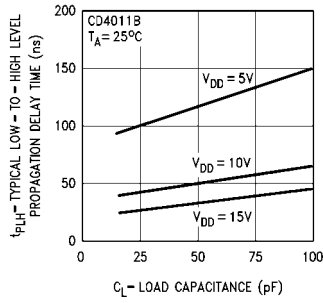


Typical Performance Characteristics (Continued)

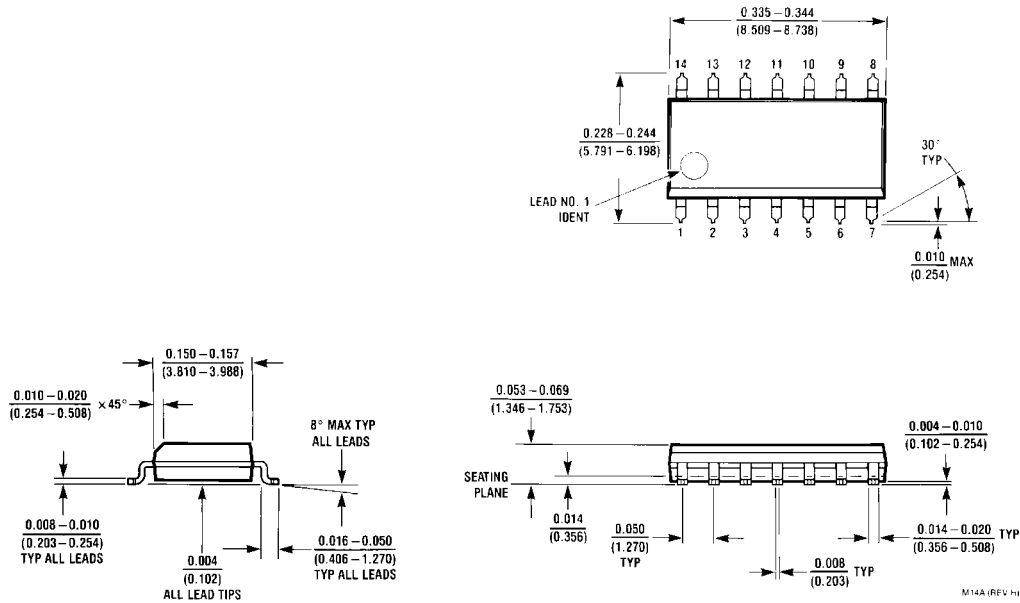
Typical Transfer Characteristics



Typical Performance Characteristics (Continued)



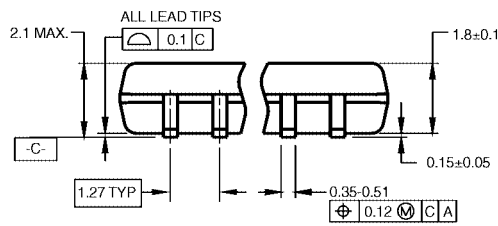
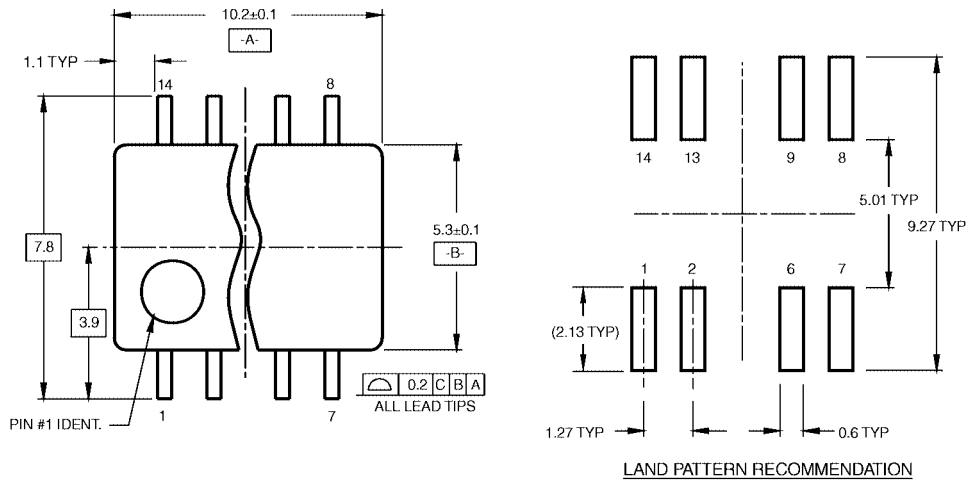
**Physical Dimensions** inches (millimeters) unless otherwise noted



**14-Lead Small Outline Integrated Circuit (SOIC), JEDEC MS-012, 0.150" Narrow Package Number M14A**

M14A (REV. H)

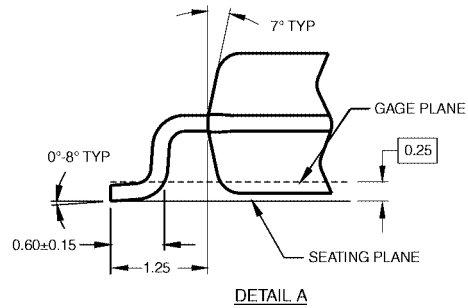
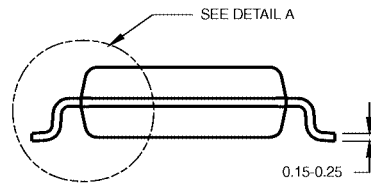
**Physical Dimensions** inches (millimeters) unless otherwise noted (Continued)



DIMENSIONS ARE IN MILLIMETERS

- NOTES:  
 A. CONFORMS TO EIAJ EDR-7320 REGISTRATION, ESTABLISHED IN DECEMBER, 1998.  
 B. DIMENSIONS ARE IN MILLIMETERS.  
 C. DIMENSIONS ARE EXCLUSIVE OF BURRS, MOLD FLASH, AND TIE BAR EXTRUSIONS.

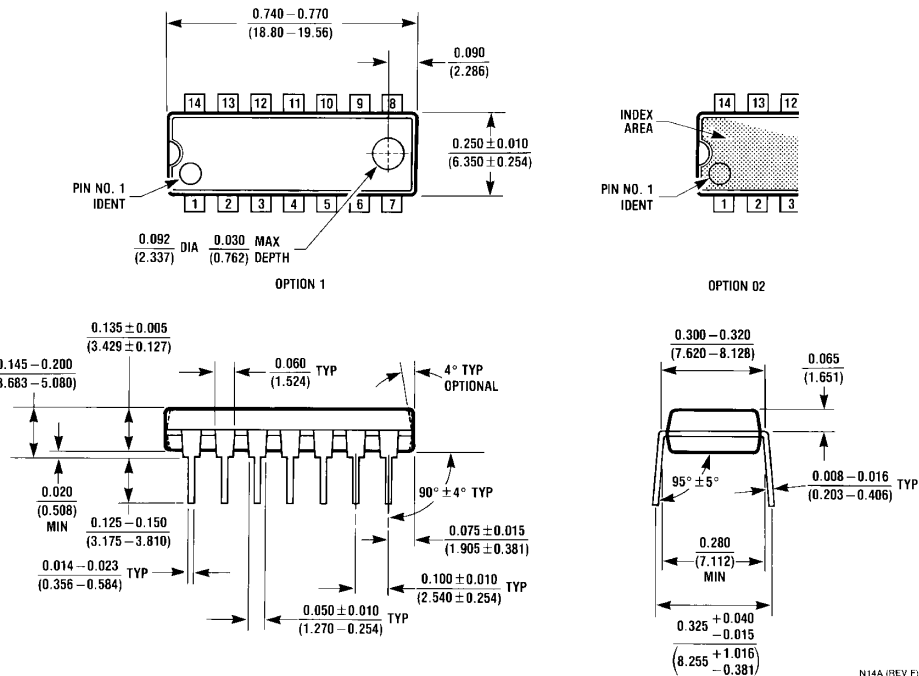
M14DRevB1



**14-Lead Small Outline Package (SOP), EIAJ TYPE II, 5.3mm Wide  
 Package Number M14D**



**Physical Dimensions** inches (millimeters) unless otherwise noted (Continued)



14-Lead Plastic Dual-In-Line Package (PDIP), JEDEC MS-001, 0.300" Wide Package Number N14A

N14A (REV F)

Fairchild does not assume any responsibility for use of any circuitry described, no circuit patent licenses are implied and Fairchild reserves the right at any time without notice to change said circuitry and specifications.

**LIFE SUPPORT POLICY**

FAIRCHILD'S PRODUCTS ARE NOT AUTHORIZED FOR USE AS CRITICAL COMPONENTS IN LIFE SUPPORT DEVICES OR SYSTEMS WITHOUT THE EXPRESS WRITTEN APPROVAL OF THE PRESIDENT OF FAIRCHILD SEMICONDUCTOR CORPORATION. As used herein:

1. Life support devices or systems are devices or systems which, (a) are intended for surgical implant into the body, or (b) support or sustain life, and (c) whose failure to perform when properly used in accordance with instructions for use provided in the labeling, can be reasonably expected to result in a significant injury to the user.
2. A critical component in any component of a life support device or system whose failure to perform can be reasonably expected to cause the failure of the life support device or system, or to affect its safety or effectiveness.

[www.fairchildsemi.com](http://www.fairchildsemi.com)