

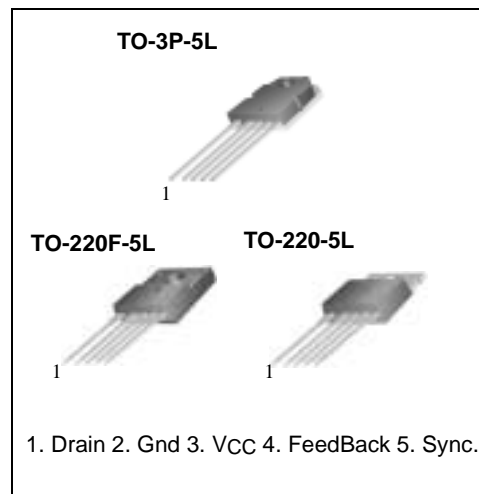
KA5S-SERIES

KA5S0765C/KA5S09654QT/KA5S0965/ KA5S12656/KA5S1265

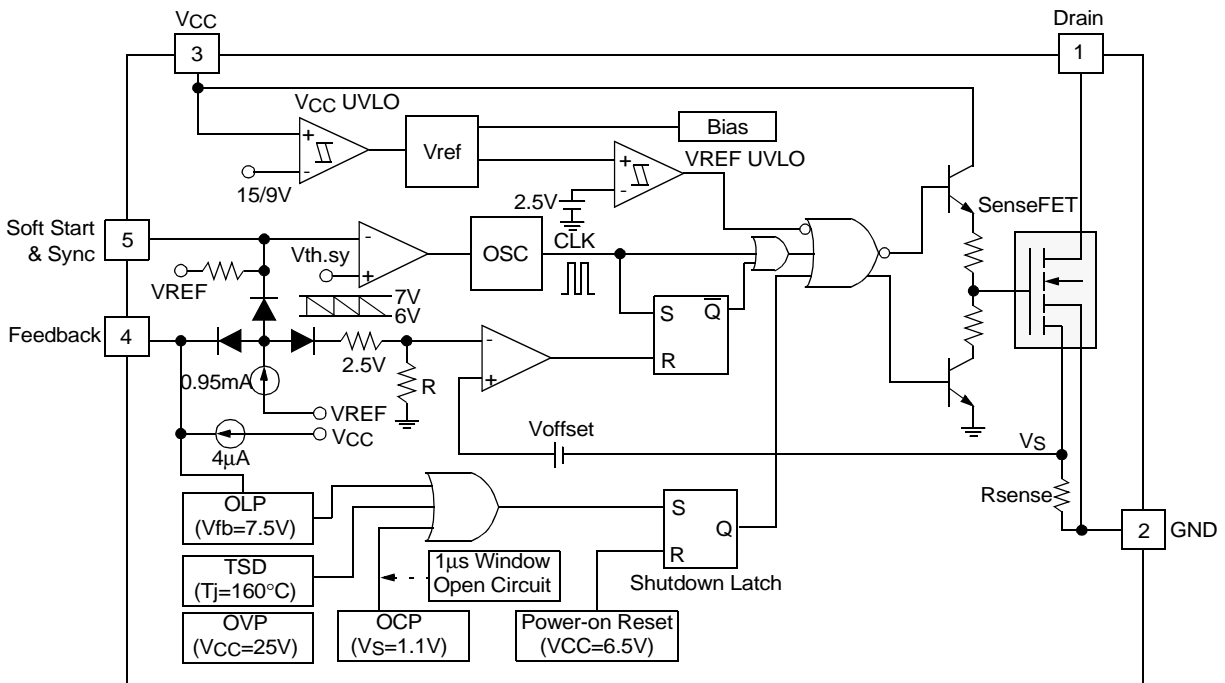
Fairchild Power Switch(FPS)

Features

- Wide Operating Frequency Range Up to 150Khz
- Lowest Cost SMPS Solution
- Lowest External Components
- Low Start-up Current (max:170uA)
- Low Operating Current (max:12mA)
- Internal High Voltage SenseFET
- Over Voltage Protection With Latch Mode (Min23V)
- Over Load Protection With Latch Mode
- Over Current Protection With Latch Mode
- Internal Thermal Protection With Latch Mode
- Pulse By Pulse Over Current Limiting
- Under Voltage Lockout With Hysteresis
- External Sync. Terminal



Internal Block Diagram



Absolute Maximum Ratings

(Ta=25°C, unless otherwise specified)

Characteristic	Symbol	Value	Unit
KA5S0765C			
Maximum drain voltage	V _{D,MAX}	650	V
Drain-gate voltage(R _{GS} =1MΩ)	V _{DGR}	650	V
Gate-source(GND) voltage	V _{GS}	±30	V
Drain current pulsed ⁽¹⁾	I _{DM}	28	ADC
Continuous drain current (T _c = 25°C)	I _D	7.0	ADC
Continuous drain current (T _c = 100°C)	I _D	5.6	ADC
Single pulsed avalanch current ⁽³⁾ (Energy ⁽²⁾)	I _{AS} (E _{AS})	20(570)	A(mJ)
Maximum supply voltage	V _{CC,MAX}	30	V
Input voltage range	V _{FB}	-0.3 to V _{CC}	V
	V _{SS}	-0.3 to 8	V
Total power dissipation	PD (Watt H/S)	135	W
	Derating	1.1	W / °C
Operating junction temperature.	T _J	+160	°C
Operating ambient temperature.	T _A	-25 to +85	°C
Storage temperature range.	T _{STG}	-55 to +150	°C
KA5S09654QT			
Maximum drain voltage	V _{D,MAX}	650	V
Drain-gate voltage(R _{GS} =1MΩ)	V _{DGR}	650	V
Gate-source(GND) voltage	V _{GS}	±30	V
Drain current pulsed ⁽¹⁾	I _{DM}	49	ADC
Continuous drain current (T _c = 25°C)	I _D	9.0	ADC
Continuous drain current (T _c = 100°C)	I _D	5.7	ADC
Single pulsed avalanch current ⁽³⁾ (Energy ⁽²⁾)	I _{AS} (E _{AS})	25(660)	A(mJ)
Maximum supply voltage	V _{CC,MAX}	30	V
Input voltage range	V _{FB}	-0.3 to V _{CC}	V
	V _{SS}	-0.3 to 8	V
Total power dissipation	PD (Watt H/S)	160	W
	Derating	1.28	W / °C
Operating junction temperature.	T _J	+160	°C
Operating ambient temperature.	T _A	-25 to +85	°C
Storage temperature range.	T _{STG}	-55 to +150	°C

Absolute Maximum Ratings (Continued)

(Ta=25°C, unless otherwise specified)

Characteristic	Symbol	Value	Unit
KA5S0965			
Maximum Drain Voltage	V _{D,MAX}	650	V
Drain-Gate Voltage(R _{GS} =1MΩ)	V _{DGR}	650	V
Gate-Source(GND) Voltage	V _{GS}	±30	V
Drain Current Pulsed ⁽¹⁾	I _{DM}	36	ADC
Continuous Drain Current (T _c = 25°C)	I _D	9.0	ADC
Continuous Drain Current (T _c = 100°C)	I _D	5.8	ADC
Single Pulsed Avalanche Current ⁽³⁾ (Energy ⁽²⁾)	I _{AS} (EAS)	28(950)	A(mJ)
Maximum Supply Voltage	V _{CC,MAX}	30	V
Input Voltage Range	V _{FB}	-0.3 to V _{CC}	V
	V _{SS}	-0.3 to 8	V
Total Power Dissipation	P _D (Watt H/S)	170	W
	Derating	1.33	W / °C
Operating Junction Temperature.	T _J	+160	°C
Operating Ambient Temperature.	T _A	-25 to +85	°C
Storage Temperature Range.	T _{STG}	-55 to +150	°C
KA5S12656			
Maximum Drain Voltage	V _{D,MAX}	650	V
Drain-Gate Voltage(R _{GS} =1MΩ)	V _{DGR}	650	V
Gate-Source(GND) Voltage	V _{GS}	±30	V
Drain Current Pulsed ⁽¹⁾	I _{DM}	48	ADC
Continuous Drain Current (T _c = 25°C)	I _D	12	ADC
Continuous Drain Current (T _c = 100°C)	I _D	8.4	ADC
Single Pulsed Avalanche Current ⁽³⁾ (Energy ⁽²⁾)	I _{AS} (EAS)	30(785)	A(mJ)
Maximum Supply Voltage	V _{CC,MAX}	30	V
Input Voltage Range	V _{FB}	-0.3 to V _{CC}	V
	V _{SS}	-0.3 to 8	V
Total Power Dissipation	P _D (Watt H/S)	160	W
	Derating	1.28	W / °C
Operating Junction Temperature.	T _J	+160	°C
Operating Ambient Temperature.	T _A	-25 to +85	°C
Storage Temperature Range.	T _{STG}	-55 to +150	°C

Absolute Maximum Ratings (Continued)

(Ta=25°C, unless otherwise specified)

Characteristic	Symbol	Value	Unit
KA5S1265			
Maximum Drain Voltage	V _{D,MAX}	650	V
Drain-Gate Voltage(R _{GS} =1MΩ)	V _{DGR}	650	V
Gate-Source(GND) Voltage	V _{GS}	±30	V
Drain Current Pulsed ⁽¹⁾	I _{DM}	48	ADC
Continuous Drain Current (T _c = 25°C)	I _D	12	ADC
Continuous Drain Current (T _c = 100°C)	I _D	8.4	ADC
Single Pulsed Avalanch Current ⁽³⁾ (Energy ⁽²⁾)	I _{AS} (E _{AS})	30(785)	A(mJ)
Maximum Supply Voltage	V _{CC,MAX}	30	V
Input Voltage Range	V _{FB}	-0.3 to V _{CC}	V
	V _{SS}	-0.3 to 8	V
Total Power Dissipation	P _D (Watt H/S)	160	W
	Derating	1.28	W / °C
Operating Junction Temperature.	T _J	+160	°C
Operating Ambient Temperature.	T _A	-25 to +85	°C
Storage Temperature Range.	T _{STG}	-55 to +150	°C

Note:

1. Repetitive rating : Pulse width limited by maximum junction temperature
2. L = 10mH, V_{DD} =50V, R_G = 27Ω, starting T_j = 25°C
3. L = 13uH, starting T_j = 25°C

Electrical Characteristics (SFET Part)

(Ta = 25°C unless otherwise specified)

Parameter	Symbol	Conditions	Min.	Typ.	Max.	Unit
KA5S0765C						
Drain-source breakdown voltage	BV _{DSS}	V _{GS} =0V, I _D =50μA	650	-	-	V
Zero gate voltage drain current	I _{DSS}	V _D S=Max., Rating, V _{GS} =0V	-	-	50	μA
		V _D S=0.8Max., Rating, V _{GS} =0V, T _C =125°C	-	-	200	μA
Static drain-source on resistance ⁽¹⁾	R _{DS(on)}	V _{GS} =10V, I _D =4.0A	-	1.25	1.6	Ω
Forward transconductance ⁽¹⁾	g _{fs}	V _D S=15V, I _D =4.0A	3.0	-	-	S
Input capacitance	C _{iss}	V _{GS} =0V, V _D S=25V, f = 1MHz	-	1600	-	pF
Output capacitance	C _{oss}		-	310	-	
Reverse transfer capacitance	C _{rss}		-	120	-	
Turn on delay time	t _{d(on)}	V _{DD} =0.5BV _{DSS} , I _D =7.0A (MOSFET switching time are essentially independent of operating temperature)	-	25	-	nS
Rise time	t _r		-	55	-	
Turn off delay time	t _{d(off)}		-	80	-	
Fall time	t _f		-	50	-	
Total gate charge (gate-source+gate-drain)	Q _g	V _{GS} =10V, I _D =7.0A, V _D S=0.5BV _{DSS} (MOSFET Switching time are Essentially independent of Operating temperature)	-	-	72	nC
Gate-source charge	Q _{gs}		-	9.3	-	
Gate-drain (Miller) charge	Q _{gd}		-	29.3	-	
KA5S09654QT						
Drain-source breakdown voltage	BV _{DSS}	V _{GS} =0V, I _D =50μA	650	-	-	V
Zero gate voltage drain current	I _{DSS}	V _D S=Max., Rating, V _{GS} =0V	-	-	200	μA
		V _D S=0.8Max., Rating, V _{GS} =0V, T _C =125°C	-	-	300	μA
Static drain-source on resistance ⁽¹⁾	R _{DS(on)}	V _{GS} =10V, I _D =4.5A	-	1.1	1.2	Ω
Forward transconductance ⁽¹⁾	g _{fs}	V _D S=50V, I _D =4.5A	3.0	-	-	S
Input capacitance	C _{iss}	V _{GS} =0V, V _D S=25V, f = 1MHz	-	1300	-	pF
Output capacitance	C _{oss}		-	135	-	
Reverse transfer capacitance	C _{rss}		-	25	-	
Turn on delay time	t _{d(on)}	V _{DD} =0.5BV _{DSS} , I _D =9.0A (MOSFET switching time are essentially independent of operating temperature)	-	25	-	nS
Rise time	t _r		-	75	-	
Turn off delay time	t _{d(off)}		-	130	-	
Fall time	t _f		-	70	-	
Total gate charge (gate-source+gate-drain)	Q _g	V _{GS} =10V, I _D =9.0A, V _D S=0.5BV _{DSS} (MOSFET Switching time are Essentially independent of Operating temperature)	-	45	-	nC
Gate-source charge	Q _{gs}		-	8	-	
Gate-drain (Miller) charge	Q _{gd}		-	22	-	

Electrical Characteristics (SFET Part; Continued)

(Ta = 25°C unless otherwise specified)

Parameter	Symbol	Conditions	Min.	Typ.	Max.	Unit
KA5S0965						
Drain-source breakdown voltage	BV _{DSS}	V _{GS} =0V, I _D =50μA	650	-	-	V
Zero gate voltage drain current	I _{DSS}	V _D =Max., Rating, V _{GS} =0V	-	-	50	μA
		V _D =0.8Max., Rating, V _{GS} =0V, T _C =125°C	-	-	200	μA
Static drain-source on resistance ⁽¹⁾	R _{DS(on)}	V _{GS} =10V, I _D =4.5A	-	0.96	1.2	Ω
Forward transconductance ⁽¹⁾	g _{fs}	V _D =50V, I _D =4.5A	5.0	-	-	S
Input capacitance	C _{iss}	V _{GS} =0V, V _D =25V, f = 1MHz	-	1750	-	pF
Output capacitance	C _{oss}		-	190	-	
Reverse transfer capacitance	C _{rss}		-	78	-	
Turn on delay time	t _{d(on)}	V _{DD} =0.5BV _{DSS} , I _D =9.0A (MOSFET switching time are essentially independent of operating temperature)	-	20	50	nS
Rise time	t _r		-	23	55	
Turn off delay time	t _{d(off)}		-	85	180	
Fall time	t _f		-	30	70	
Total gate charge (gate-source+gate-drain)	Q _g	V _{GS} =10V, I _D =9.0A, V _D =0.5BV _{DSS} (MOSFET Switching time are Essentially independent of Operating temperature)	-	74	95	nC
Gate-source charge	Q _{gs}		-	12	-	
Gate-drain (Miller) charge	Q _{gd}		-	35	-	
KA5S12656						
Drain-source breakdown voltage	BV _{DSS}	V _{GS} =0V, I _D =50μA	650	-	-	V
Zero gate voltage drain current	I _{DSS}	V _D =Max., Rating, V _{GS} =0V	-	-	50	μA
		V _D =0.8Max., Rating, V _{GS} =0V, T _C =125°C	-	-	200	μA
Static drain-source on resistance ⁽¹⁾	R _{DS(on)}	V _{GS} =10V, I _D =6.0A	-	0.72	0.9	Ω
Forward transconductance ⁽¹⁾	g _{fs}	V _D =50V, I _D =4.0A	5.7	-	-	S
Input capacitance	C _{iss}	V _{GS} =0V, V _D =25V, f = 1MHz	-	2700	-	pF
Output capacitance	C _{oss}		-	300	-	
Reverse transfer capacitance	C _{rss}		-	61	-	
Turn on delay time	t _{d(on)}	V _{DD} =0.5BV _{DSS} , I _D =12.0A (MOSFET switching time are essentially independent of operating temperature)	-	18	-	nS
Rise time	t _r		-	37	-	
Turn off delay time	t _{d(off)}		-	88	-	
Fall time	t _f		-	36	-	
Total gate charge (gate-source+gate-drain)	Q _g	V _{GS} =10V, I _D =12.0A, V _D =0.5BV _{DSS} (MOSFET Switching time are Essentially independent of Operating temperature)	-	-	140	nC
Gate-source charge	Q _{gs}		-	20	-	
Gate-drain (Miller) charge	Q _{gd}		-	69	-	

Electrical Characteristics (SFET Part; Continued)

(Ta = 25°C unless otherwise specified)

Parameter	Symbol	Conditions	Min.	Typ.	Max.	Unit
KA5S1265						
Drain-source breakdown voltage	BVDSS	VGS=0V, ID=50μA	650	-	-	V
Zero gate voltage drain current	IDSS	VDS=Max., Rating, VGS=0V	-	-	50	μA
		VDS=0.8Max., Rating, VGS=0V, TC=125°C	-	-	200	μA
Static drain-source on resistance ⁽¹⁾	RDS(on)	VGS=10V, ID=6.0A	-	0.72	0.9	Ω
Forward transconductance ⁽¹⁾	gfs	VDS=50V, ID=4.0A	5.7	-	-	S
Input capacitance	Ciss	VGS=0V, VDS=25V, f = 1MHz	-	2700	-	pF
Output capacitance	Coss		-	300	-	
Reverse transfer capacitance	Crss		-	61	-	
Turn on delay time	td(on)	VDD=0.5BVDSS, ID=12.0A (MOSFET switching time are essentially independent of operating temperature)	-	18	-	nS
Rise time	tr		-	37	-	
Turn off delay time	td(off)		-	88	-	
Fall time	tf		-	36	-	
Total gate charge (gate-source+gate-drain)	Qg	VGS=10V, ID=12.0A, VDS=0.5BVDSS(MOSFET Switching time are Essentially independent of Operating temperature)	-	-	140	nC
Gate-source charge	Qgs		-	20	-	
Gate-drain (Miller) charge	Qgd		-	69	-	

Note:

1. Pulse Test : Pulse width ≤ 300uS, Duty Cycle ≤ 2%

2.MOSFET Switching Time are Essentially Independent of Operating Temperature

3. $S = \frac{1}{R}$

Electrical Characteristics (CONTROL Part)

(VCC=16V, Tamb = 25°C unless otherwise specified)

Parameter	Symbol	Conditions	Min.	Typ.	Max.	Unit
UVLO SECTION						
Start Threshold Voltage	VSTART	VFB=GND	14	15	16	V
Stop Threshold Voltage	VSTOP	VFB=GND	8	9	10	V
OSCILLATOR SECTION						
Initial Frequency	FOSC	-	18	20	22	kHz
Voltage Stability	FSTABLE	12V ≤ VCC ≤ 23V	0	1	3	%
Temperature Stability (Note2)	ΔFOSC	-25°C ≤ Ta ≤ 85°C	0	±5	±10	%
Maximum Duty Cycle	DMAX	-	92	95	98	%
Minimum Duty Cycle	DMIN	-	-	-	0	%
FEEDBACK SECTION						
Feedback Source Current	IFB	VFB=GND	0.7	0.9	1.1	mA
Shutdown Feedback Voltage	VSD	VFB ≥ 6.9V	6.9	7.5	8.1	V
Shutdown Delay Current	IDELAY	VFB=5V	3.0	4.0	5.0	μA
SYNC. & SOFTSTART SECTION						
Softstart Voltage	VSS	VFB=2V	4.7	5.0	5.3	V
Softstart Current	ISS	VSS=0V	0.75	0.95	1.15	mA
Sync High Threshold Voltage(Note3)	VSYNCH	VCC=16V, VFB=5V	-	7.0	-	V
Sync Low Threshold Voltage(Note3)	VSYNCL	VCC=16V, VFB=5V	-	6.0	-	V
CURRENT LIMIT(SELF-PROTECTION)SECTION						
Peak Current Limit (Note4)	IOVER	KA5S0765C	3.52	4.0	4.48	A
		KA5S09654QT	3.52	4.0	4.48	
		KA5S0965	5.28	6.0	6.72	
		KA5S12656	5.28	6.0	6.72	
		KA5S1265	7.04	8.0	8.96	
PROTECTION SECTION						
Over Voltage Protection	VOVP	VCC ≥ 24V	23	25	28	V
Over Current Latch voltage(Note3)	VOCL	-	0.9	1.0	1.1	V
Thermal Shutdown Temperature(Note2)	TSD	-	140	160	-	°C
TOTAL DEVICE SECTION						
Start Up Current	I _{START}	VFB=GND, VCC=14V	-	0.1	0.17	mA
Operating Supply Current(Note1)	I _{OP}	VFB=GND, VCC=16V	-	7	12	mA
	I _{OP(MIN)}	VFB=GND, VCC=12V				
	I _{OP(MAX)}	VFB=GND, VCC=30V				

Note:

1. These parameters is the Current Flowing in the Control IC.
2. These parameters, although guaranteed, are not 100% tested in production
3. These parameters, although guaranteed, are tested in EDS(wafer test) process
4. These parameters are indicated Inductor Current.

Typical Performance Characteristics

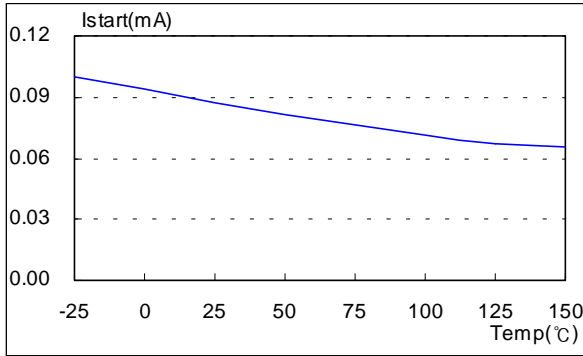


Figure 1. Start Up Current vs. Temp.

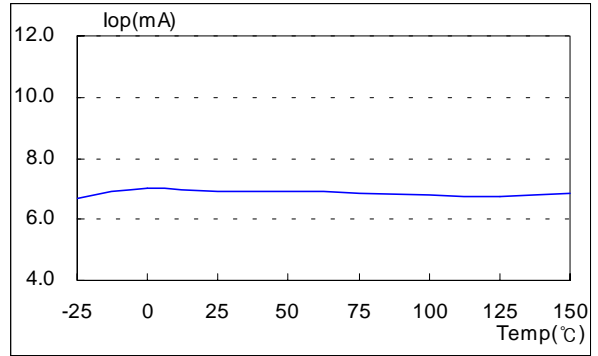


Figure 2. Operating Supply Current vs. Temp.

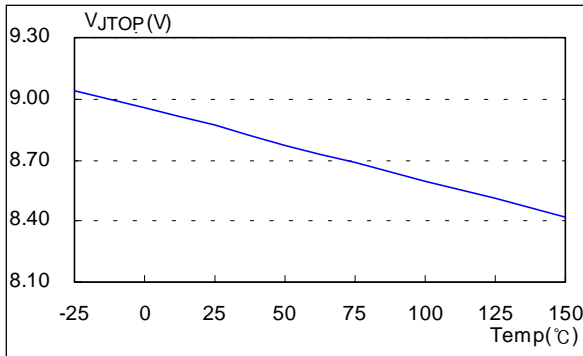


Figure 3. Stop Threshold Voltage

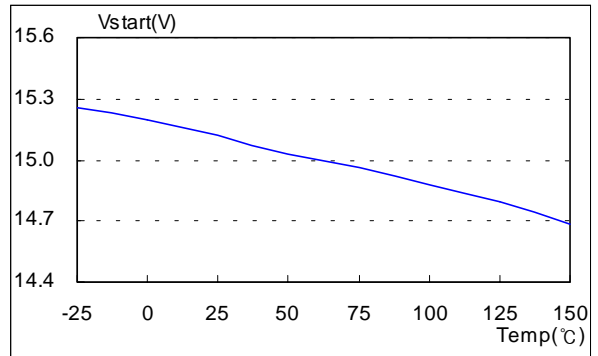


Figure 4. Start Threshold Voltage

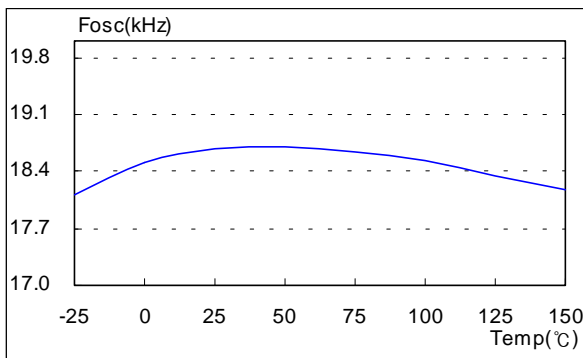


Figure 5. Initial Frequency VS. Temp

Typical Performance Characteristics(Continued)

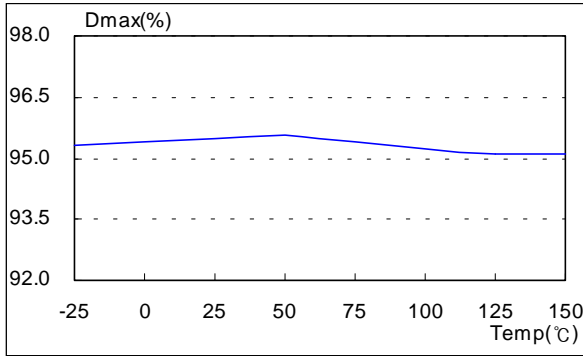


Figure 6. Maximum Duty vs. Temp.

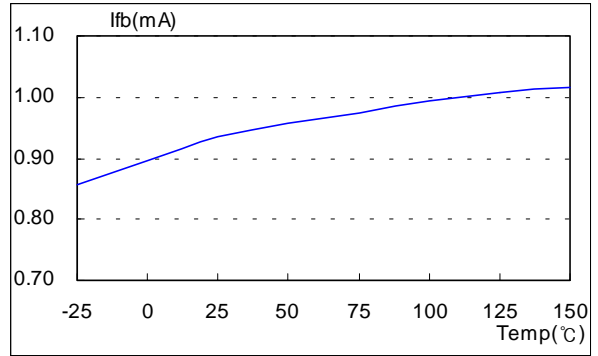


Figure 7. Feedback Source Current vs. Temp.

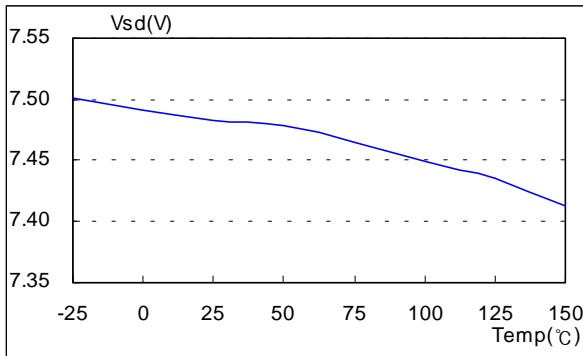


Figure 8. Shutdown Feedback Voltage vs. Temp.

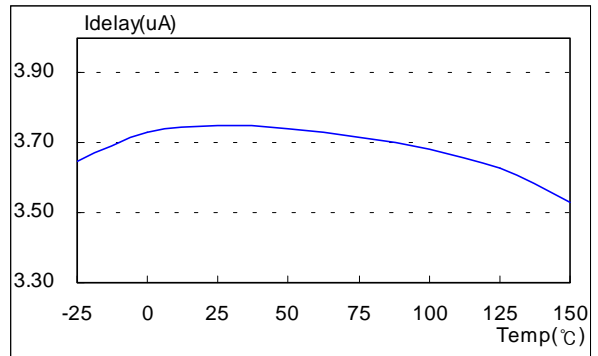


Figure 9. Shutdown Delay Current vs. Temp.

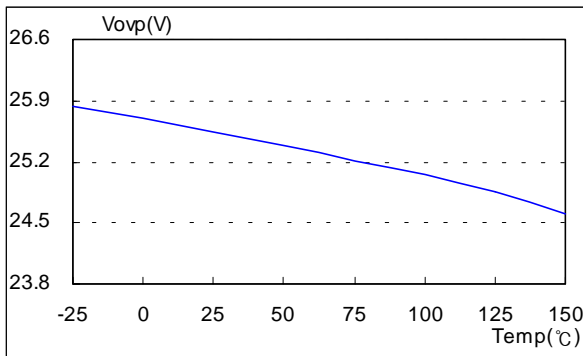


Figure 10. Over Voltage Protection vs. Temp.

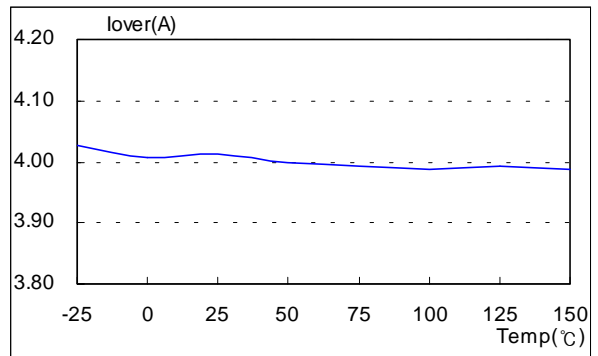


Figure 11. Peak Current Limit

Typical Performance Characteristics (Continued)

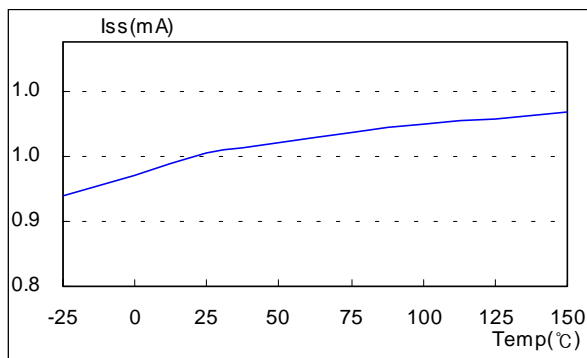


Figure 12. Soft Start Current vs. Temp.

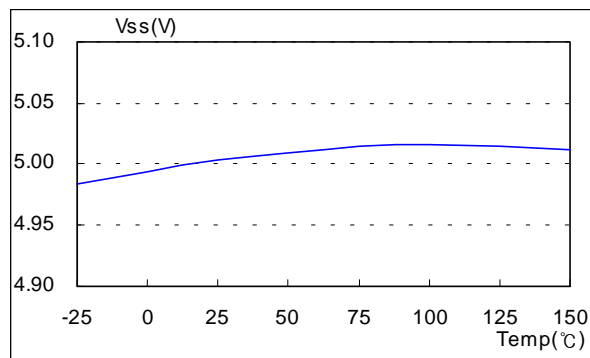
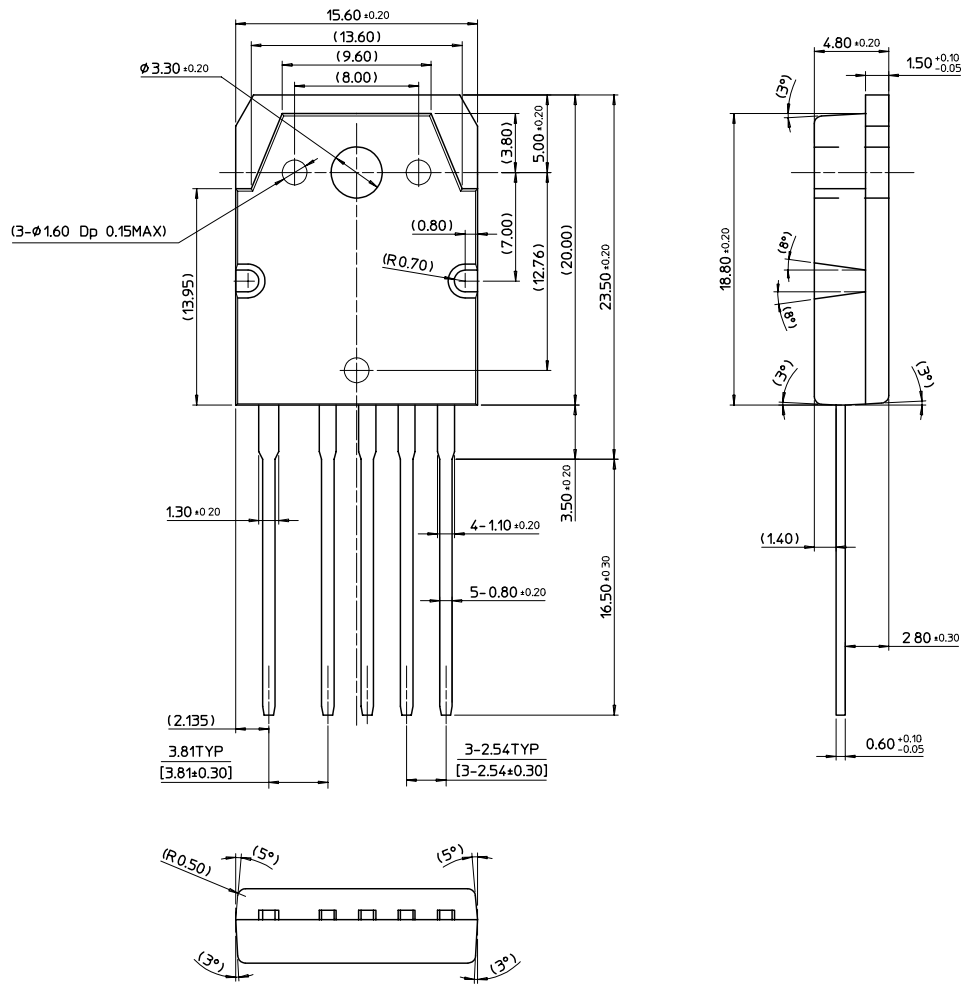


Figure 13. Soft Start Voltage vs. Temp.

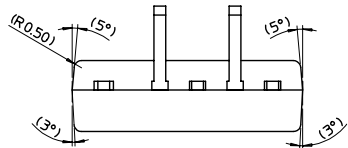
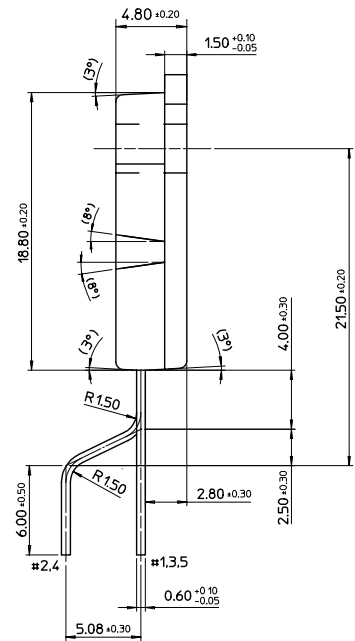
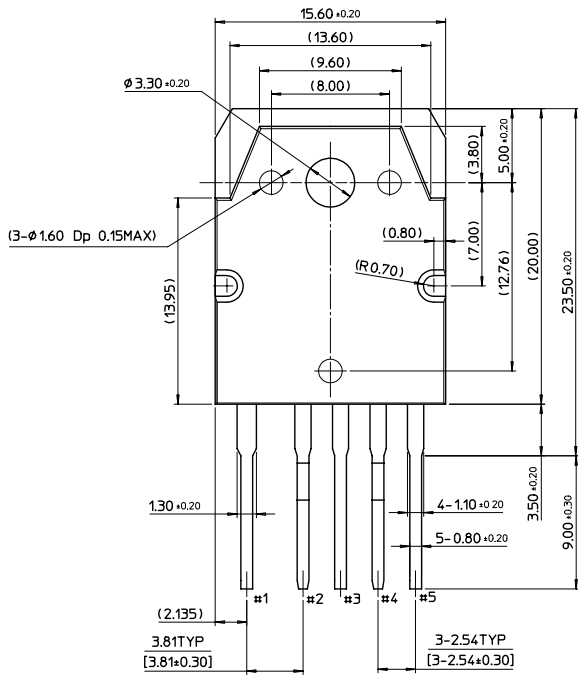
Package Dimensions

TO-3P-5L



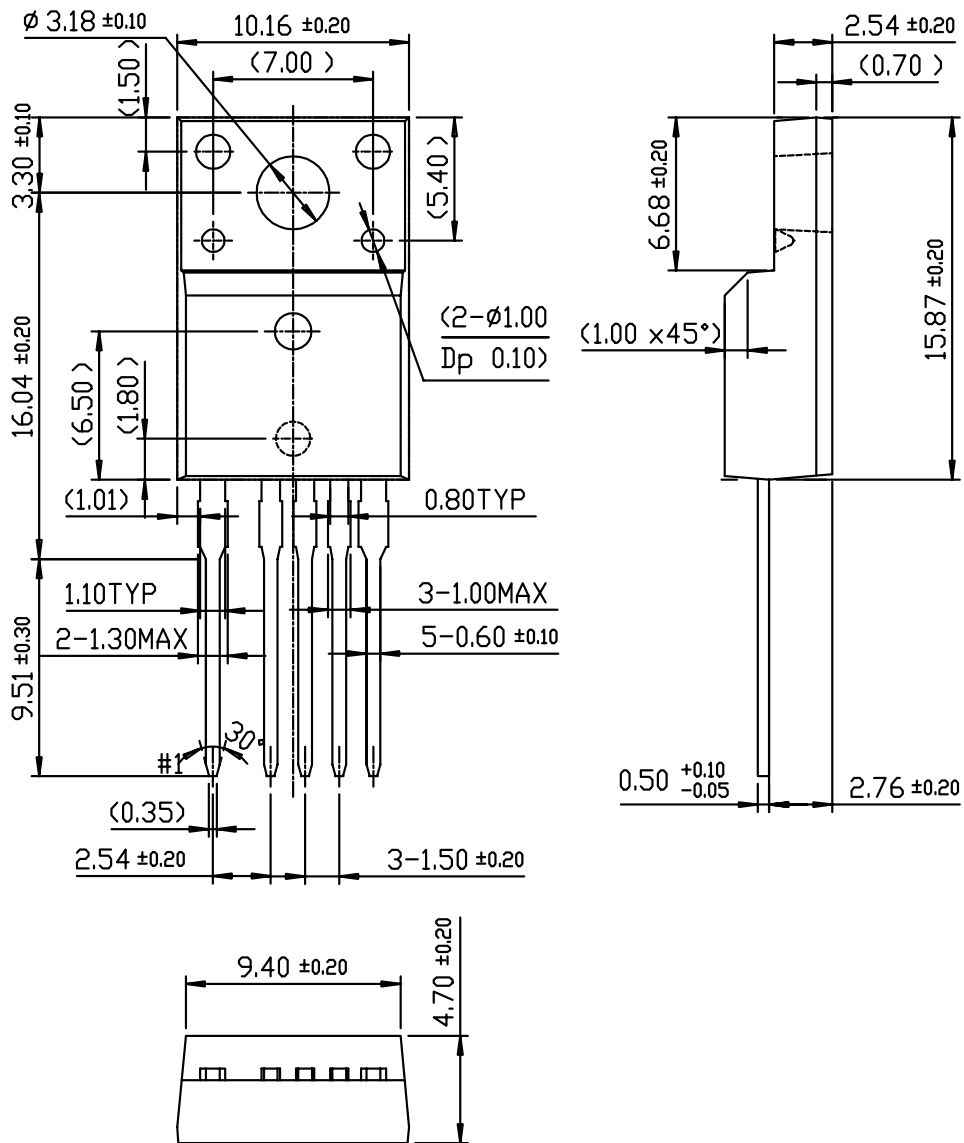
Package Dimensions (Continued)

TO-3P-5L (Forming)



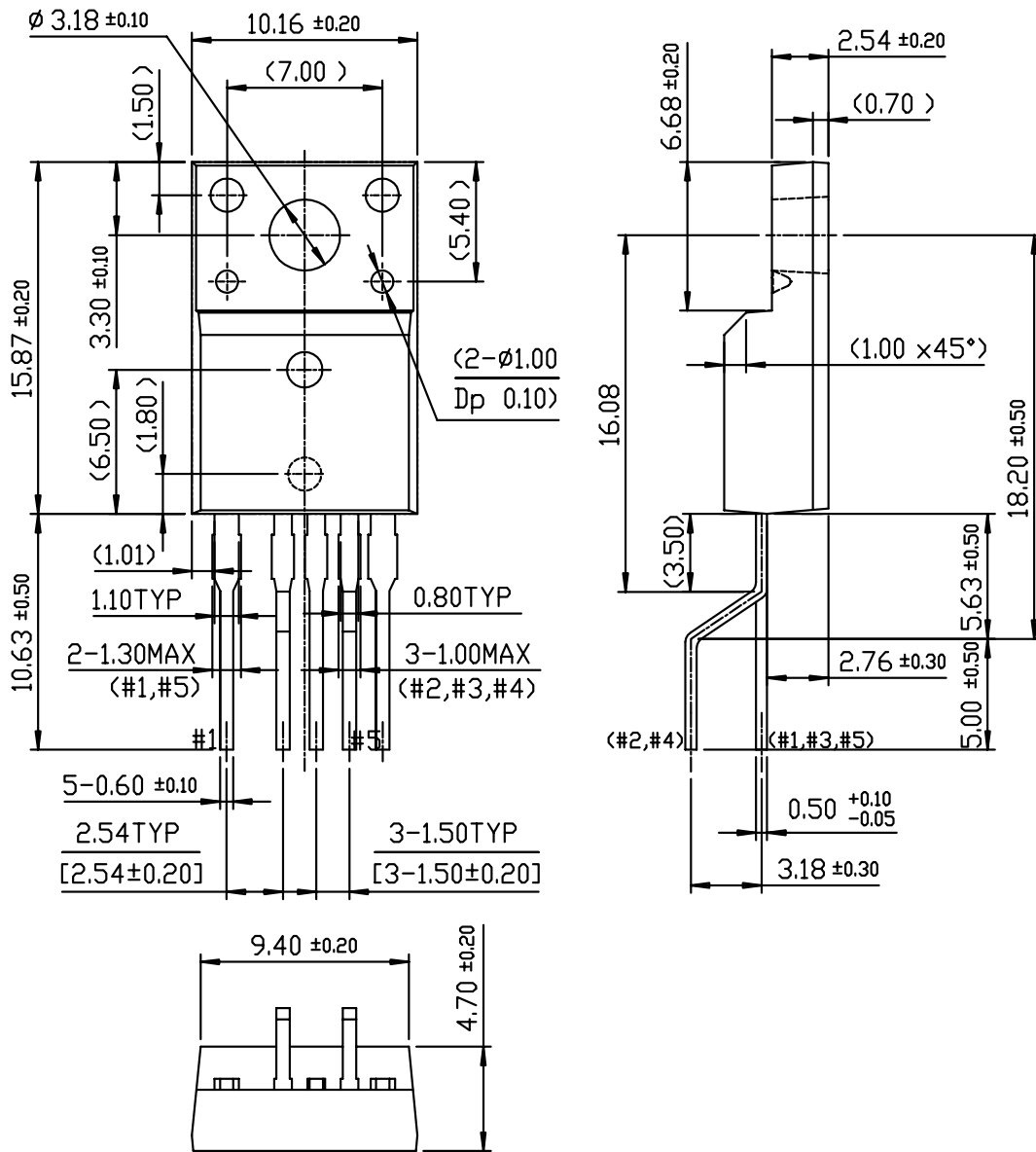
Package Dimensions (Continued)

TO-220F-5L



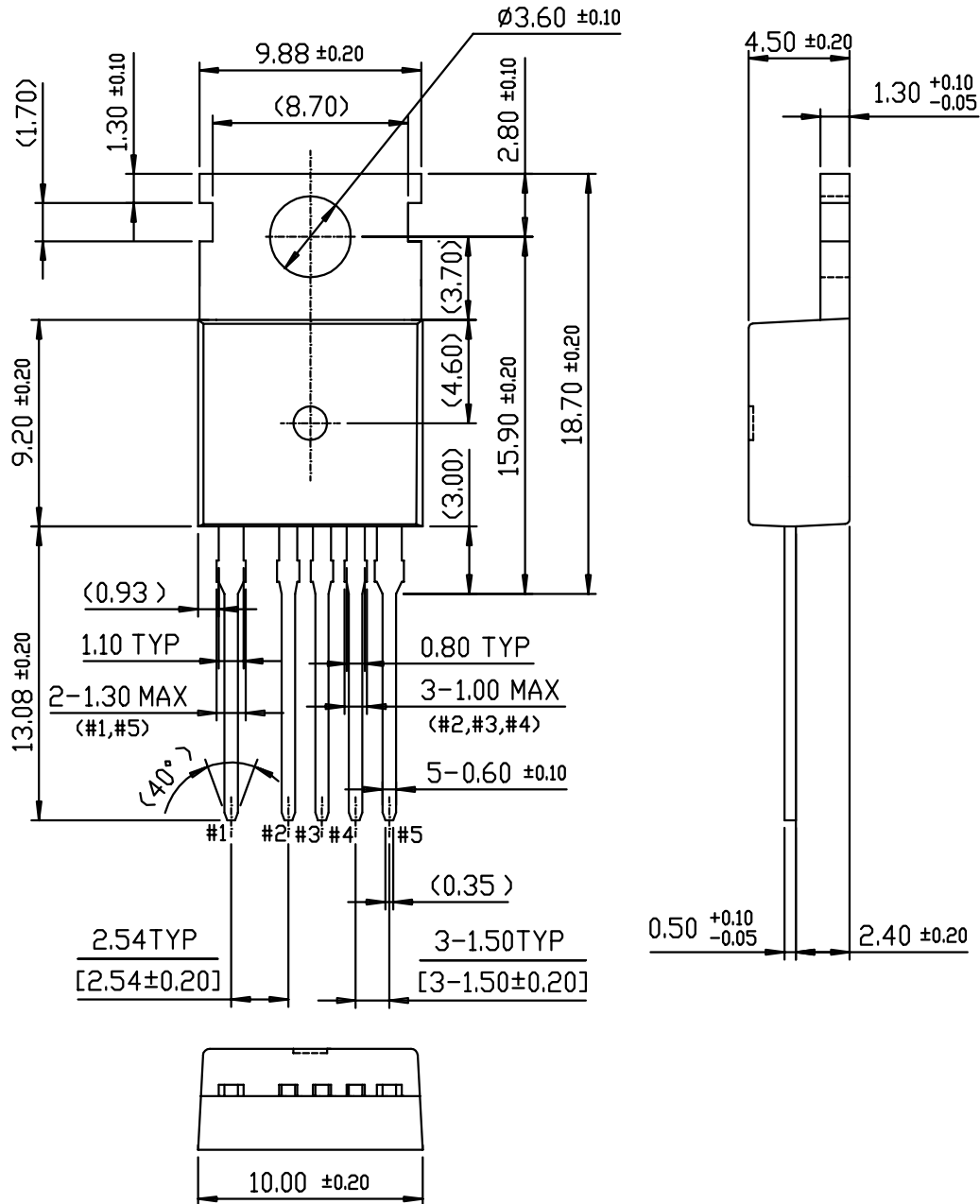
Package Dimensions (Continued)

TO-220F-5L(Forming)



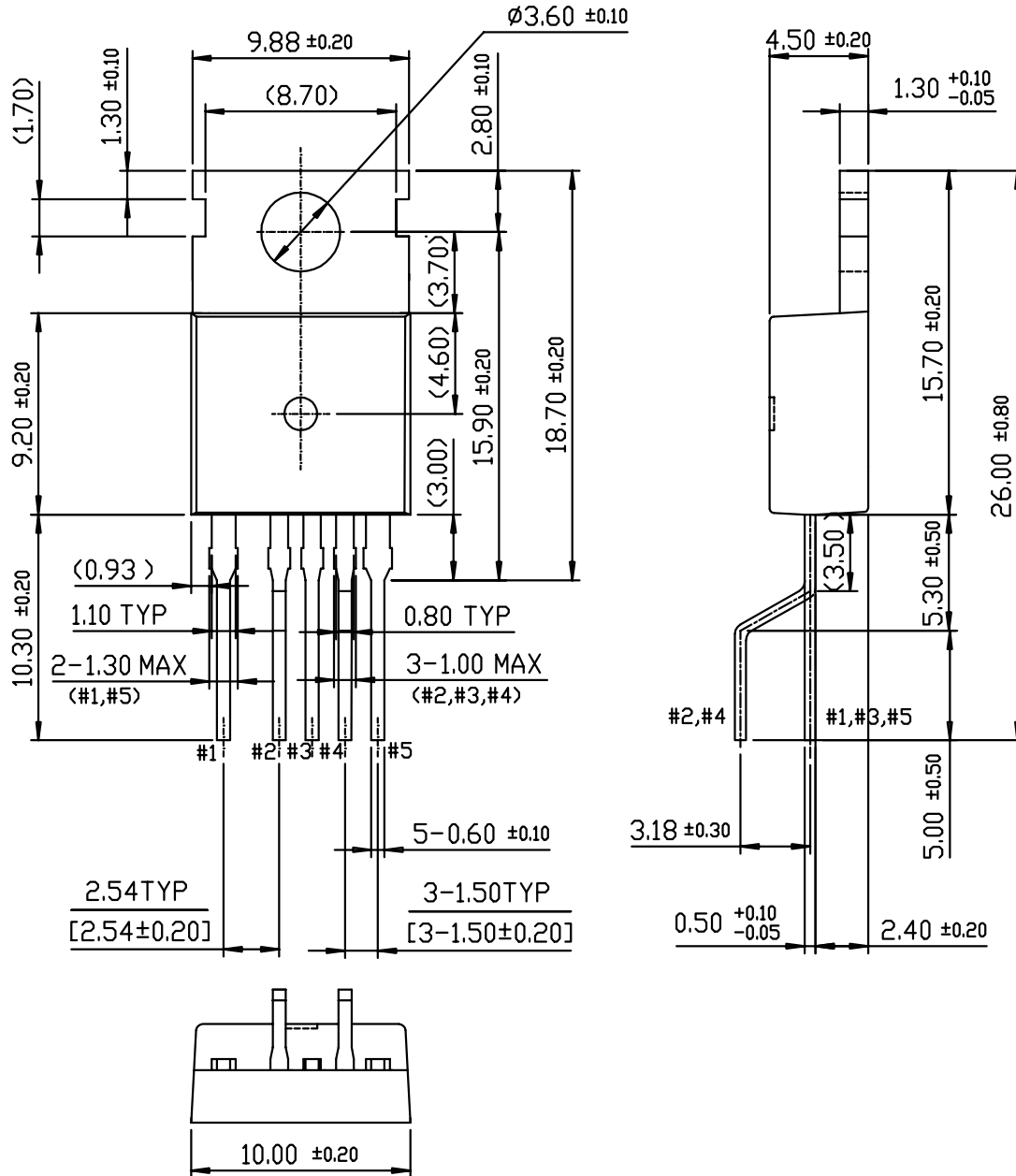
Package Dimensions (Continued)

TO-220-5L

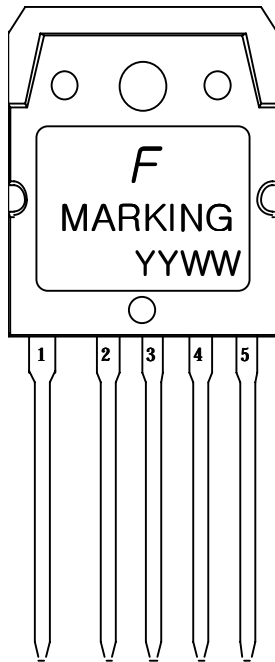


Package Dimensions (Continued)

TO-220-5L(Forming)



TOP Mark and Pinout Information



Pin No.	Symbol	Description
1	Drain	SenseFET Drain
2	GND	Ground (Source)
3	VCC	Control Part Supply Input
4	F/B	PWM Non Inverting Input
5	S/S	Soft start & External Sync.

Device	MARKING
KA5S0765C	5S0765C
KA5S09654QT	5S09654
KA5S0965	5S0965
KA5S12656	5S12656
KA5S1265	5S1265

Notes ;

- (1) F ; Fairchild Semiconductor
- (2) 5S0765C, 5S09654, 5S0965, 5S12656, 5S1265; Device Marking Name
- (3) YY: Last Two Digit of Calender Year
- (4) WW: Patweek Based on Fairchild Semiconductor Work Month Calender

Ordering Information

Product Number	Package	Marking Code	BVdss	Rds(on)
KA5S0765C-TU	TO-220-5L	5S0765C	650V	1.6Ω
KA5S0765C-YDTU	TO-220-5L(Forming)			
KA5S09654QT-TU	TO-220F-5L	5S09654	650V	1.1Ω
KA5S09654QT-YDTU	TO-220F-5L(Forming)			
KA5S0965-TU	TO-3P-5L	5S0965	650V	1.2Ω
KA5S0965-YDTU	TO-3P-5L(Forming)			
KA5S12656-TU	TO-3P-5L	5S12656	650V	0.9Ω
KA5S12656-YDTU	TO-3P-5L(Forming)			
KA5S1265-TU	TO-3P-5L	5S1265	650V	0.9Ω
KA5S1265-YDTU	TO-3P-5L(Forming)			

TU : Non Forming Type

YDTU : Forming Type

DISCLAIMER

FAIRCHILD SEMICONDUCTOR RESERVES THE RIGHT TO MAKE CHANGES WITHOUT FURTHER NOTICE TO ANY PRODUCTS HEREIN TO IMPROVE RELIABILITY, FUNCTION OR DESIGN. FAIRCHILD DOES NOT ASSUME ANY LIABILITY ARISING OUT OF THE APPLICATION OR USE OF ANY PRODUCT OR CIRCUIT DESCRIBED HEREIN; NEITHER DOES IT CONVEY ANY LICENSE UNDER ITS PATENT RIGHTS, NOR THE RIGHTS OF OTHERS.

LIFE SUPPORT POLICY

FAIRCHILD'S PRODUCTS ARE NOT AUTHORIZED FOR USE AS CRITICAL COMPONENTS IN LIFE SUPPORT DEVICES OR SYSTEMS WITHOUT THE EXPRESS WRITTEN APPROVAL OF THE PRESIDENT OF FAIRCHILD SEMICONDUCTOR CORPORATION. As used herein:

1. Life support devices or systems are devices or systems which, (a) are intended for surgical implant into the body, or (b) support or sustain life, and (c) whose failure to perform when properly used in accordance with instructions for use provided in the labeling, can be reasonably expected to result in a significant injury of the user.
2. A critical component in any component of a life support device or system whose failure to perform can be reasonably expected to cause the failure of the life support device or system, or to affect its safety or effectiveness.