

# KA723

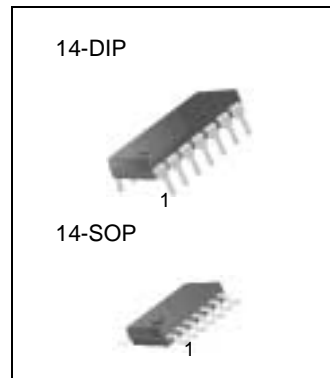
## Precision Voltage Regulator

### Features

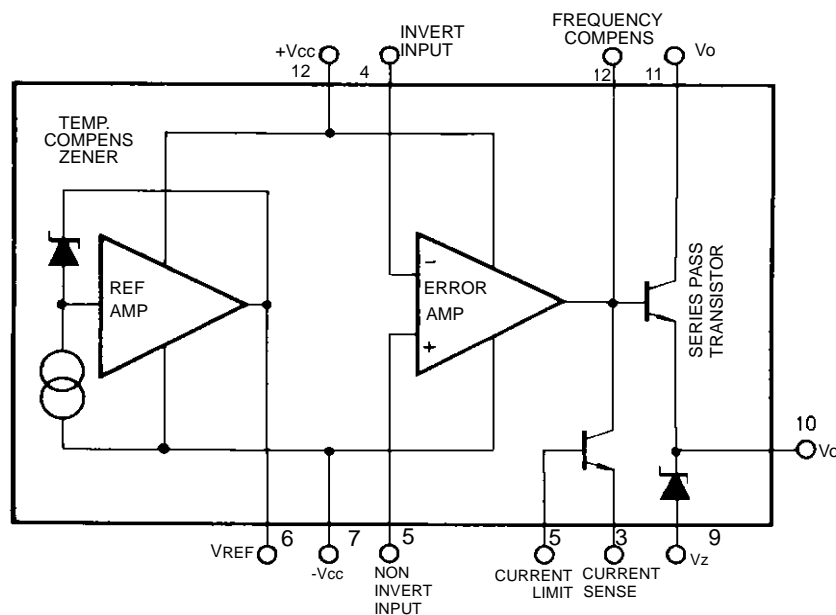
- Positive or Negative Supply Operation
- 0.01% line and load regulation
- Output voltage adjustable from 2V to 37 V
- Output current to 150mA without external pass transistor

### Description

The KA723 are monolithic integrated Circuit voltage regulators featuring high ripple rejection, excellent output and load regulation, excellent temperature stability, and low standby current. The KA723 are also useful in a wide range of other applications such as a shunt regulator, a current regulator or a temperature controller.



### Internal Block Diagram



## Absolute Maximum Ratings

Parameter	Symbol	Value	Unit
Pulse Voltage from V+ to V- (50ms)	$V_{I(P)}$	50	V <sub>PEAK</sub>
Continuous Voltage from V+ to V-	$V_I$	40	V
Input-Output Voltage Differential	$V_I - V_O$	40	V
Maximum Output Current	$I_O$	150	mA
Differential Input Voltage	$V_{ID}$	±5	V
Voltage Between Non-Inverting Input and V-	$V_{IE}$	8	V
Current from V <sub>Z</sub>	$I_Z$	25	mA
Current from V <sub>REF</sub>	$I_{REF}$	15	mA
Power Dissipation	$P_D$	1000	mW
Operating Temperature Range	$T_{OPR}$	0 ~ +70	°C
Storage Temperature Range	$T_{STG}$	-65 ~ + 150	°C

## Electrical Characteristics

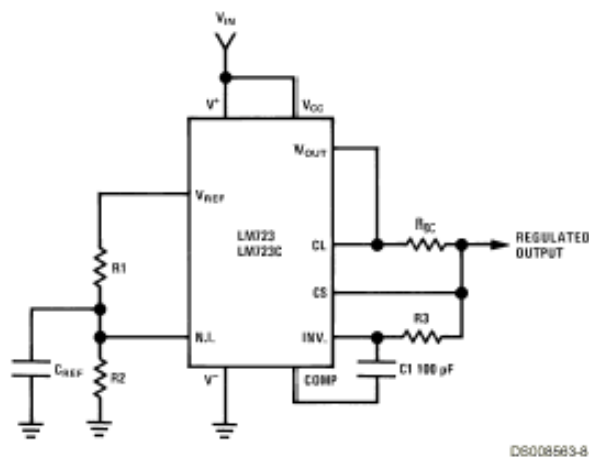
(Unless otherwise specified,  $T_A = 25^\circ\text{C}$ ,  $V_{IN} = V^+ = V_C = 12\text{V}$ ,  $V^- = 0$ ,  $V_{OUT} = 5\text{V}$ ,  $I_L = 1\text{mA}$ ,  $R_{SC} = 0$ ,  $C_I = 100\text{pF}$ ,  $C_{REF} = 0$  and divider impedance as seen by error amplifier  $\leq 10\text{K}\Omega$  connected as shown in figure 1)

Parameter	Symbol	Conditions	Min	Typ.	Max.	Unit
Line Regulation	$\Delta V_O$	$V_I = 12\text{V to } 15\text{V}$ $V_I = 12\text{V to } 40\text{V}$	-	0.01 0.1	0.1 0.5	%
		$T_{MIN} \leq T_A \leq T_{MAX}$ $V_I = 12\text{V to } 15\text{V}$	-	-	0.3	
Load Regulation	$\Delta V_O$	$I_O = 1\text{mA to } 50\text{mA}$	-	0.03	0.2	%
		$T_{MIN} \leq T \leq T_{MAX}$ $I_O = 1\text{ to } 50\text{mA}$	-	-	0.6	
Ripple Rejection	dB	$f = 100\text{Hz to } 10\text{KHz}, C_{REF} = 0$	-	74	-	dB
		$f = 100\text{Hz to } 10\text{KHz}, C_{REF} = 5\mu\text{F}$	-	86	-	
Average Temperature Coefficient of Output Voltage	$\Delta V_O / \Delta T$	$T_{MIN} \leq T \leq T_{MAX}$	-	0.003	0.015	%/°C
Short Circuit Current Limit	$I_{SC}$	$R_{SC} = 10\Omega, V_O = 0$	-	65	-	mA
Reference Voltage	$V_{REF}$	-	6.80	7.15	7.50	V
Output Noise Voltage	$V_N$	$f = 100\text{Hz to } 10\text{KHz}, C_{REF} = 0$	-	20	-	$\mu\text{Vrms}$
		$f = 100\text{Hz to } 10\text{KHz}, C_{REF} = 5\mu\text{F}$	-	2.5	-	
Long-term Stability	ST	-	-	0.1	-	%/ 1000HR
Standby Current Drain	$I_D$	$I_L = 0, V_I = 30\text{V}$	-	2.0	4.0	mA
Input Voltage Range	$V_I$	-	9.5	-	40	V
Output Voltage Range	$V_O$	-	2.0	-	37	V
Input-Output Voltage Differential	$V_D$	-	3.0	-	38	V

Notes:

- 1.Line and load regulation specifications are given for the condition of constant chip temperature.
- 2.Temperature drifts must be taken into account separately for high dissipation conditions.

## Typical Application



**Figure 1. Basic Low Voltage Regulator**  
(V<sub>OUT</sub> = 2 to 7Volts)

Note:  $R3 = \frac{R1R2}{R1 + R2}$  for minimum temperature drift

## Typical Performance

Regulated Output Voltage 5V

Line regulation (  $\Delta V_{IN} = 3V$  ) 0.5mV

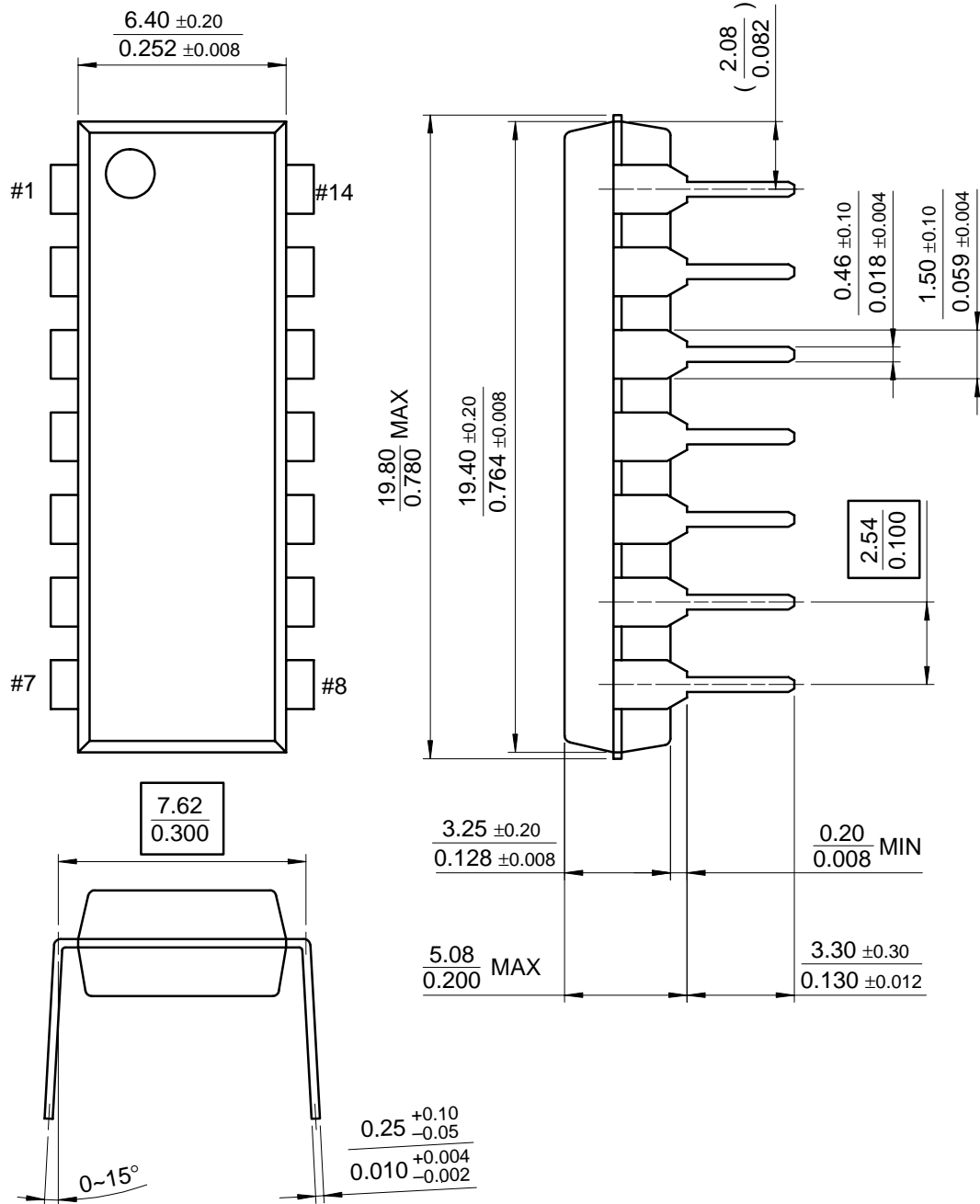
Load Regulation (  $\Delta V_L = 50V$  ) 1.5mV

# Mechanical Dimensions

## Package

Dimensions in millimeters

### 14-DIP





**Ordering Information**

<b>Product Number</b>	<b>Package</b>	<b>Operating Temperature</b>
KA723	14-DIP	0 ~ +70°C
KA723D	14-SOP	



**DISCLAIMER**

FAIRCHILD SEMICONDUCTOR RESERVES THE RIGHT TO MAKE CHANGES WITHOUT FURTHER NOTICE TO ANY PRODUCTS HEREIN TO IMPROVE RELIABILITY, FUNCTION OR DESIGN. FAIRCHILD DOES NOT ASSUME ANY LIABILITY ARISING OUT OF THE APPLICATION OR USE OF ANY PRODUCT OR CIRCUIT DESCRIBED HEREIN; NEITHER DOES IT CONVEY ANY LICENSE UNDER ITS PATENT RIGHTS, NOR THE RIGHTS OF OTHERS.

**LIFE SUPPORT POLICY**

FAIRCHILD'S PRODUCTS ARE NOT AUTHORIZED FOR USE AS CRITICAL COMPONENTS IN LIFE SUPPORT DEVICES OR SYSTEMS WITHOUT THE EXPRESS WRITTEN APPROVAL OF THE PRESIDENT OF FAIRCHILD SEMICONDUCTOR INTERNATIONAL. As used herein:

1. Life support devices or systems are devices or systems which, (a) are intended for surgical implant into the body, or (b) support or sustain life, and (c) whose failure to perform when properly used in accordance with instructions for use provided in the labeling, can be reasonably expected to result in a significant injury of the user.
2. A critical component in any component of a life support device or system whose failure to perform can be reasonably expected to cause the failure of the life support device or system, or to affect its safety or effectiveness.