

# KA741/KA741E

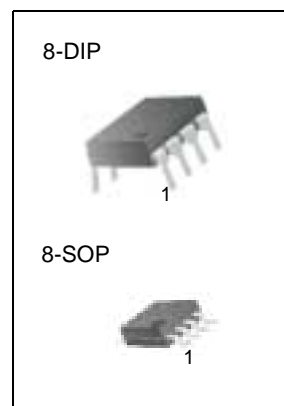
## Single Operational Amplifier

### Features

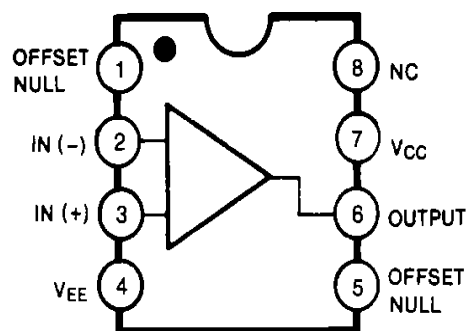
- Short circuit protection
- Excellent temperature stability
- Internal frequency compensation
- High Input voltage range
- Null of offset

### Description

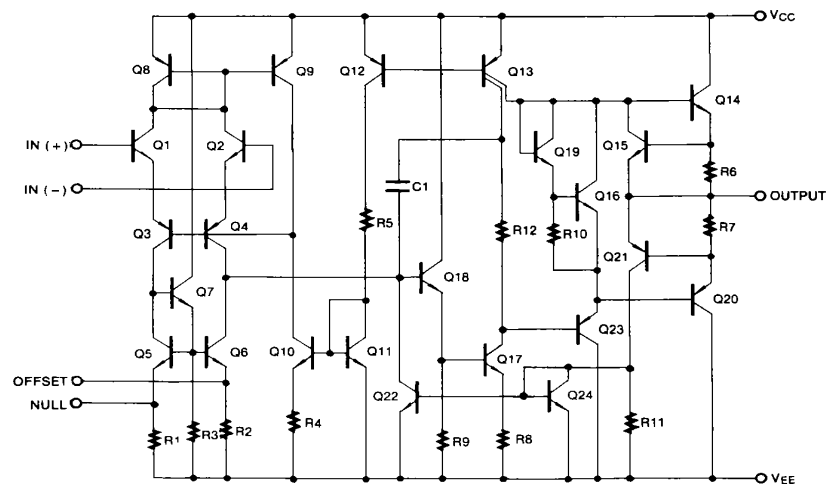
The KA741/KA741E series are general purpose operational amplifiers. It is intended for a wide range of analog applications. The high gain and wide range of operating voltage provide superior performance in integrator, summing amplifier, and general feedback applications.



### Internal Block Diagram



## Schematic Diagram



## Absolute Maximum Ratings ( $T_A = 25^\circ\text{C}$ )

Parameter	Symbol	KA741	KA741E	Unit
Supply Voltage	VCC	$\pm 18$	$\pm 22$	V
Differential Input Voltage	$V_{I(DIFF)}$	30	30	V
Input Voltage	$V_I$	$\pm 15$	$\pm 15$	V
Output Short Circuit Duration	-	Indefinite	Indefinite	
Power Dissipation	PD	500	500	mW
Operating Temperature Range	TOPR	0 ~ + 70	0 ~ + 70	$^\circ\text{C}$
Storage Temperature Range	TSTG	-65 ~ + 150	-65 ~ + 150	$^\circ\text{C}$

## Electrical Characteristics

( $V_{CC} = 15V$ ,  $V_{EE} = -15V$ ,  $T_A = 25\text{ }^\circ\text{C}$ , unless otherwise specified)

Parameter	Symbol	Conditions	KA741E			KA741			Unit	
			Min.	Typ.	Max.	Min.	Typ.	Max.		
Input Offset Voltage	$V_{IO}$	$R_S \leq 10K\Omega$	-	-	-	-	2.0	6.0	mV	
		$R_S \leq 50\Omega$		0.8	3.0	-	-	-		
Input Offset Voltage Adjustment Range	$V_{IO(R)}$	$V_{CC} = \pm 20V$	$\pm 10$	-	-	-	$\pm 15$	-	mV	
Input Offset Current	$I_{IO}$	-	-	3.0	30	-	20	200	nA	
Input Bias Current	$I_{BIAS}$	-	-	30	80	-	80	500	nA	
Input Resistance	$R_I$	$V_{CC} = \pm 20V$	1.0	6.0	-	0.3	2.0	-	$M\Omega$	
Input Voltage Range	$V_{I(R)}$	-	$\pm 12$	$\pm 13$	-	$\pm 12$	$\pm 13$	-	V	
Large Signal Voltage Gain	$G_V$	$R_L \geq 2K\Omega$	$V_{CC} = \pm 20V$ , $V_{O(P-P)} = \pm 15V$	50	-	-	-	-	V/mV	
			$V_{CC} = \pm 15V$ , $V_{O(P-P)} = \pm 10V$	-	-	-	20	200		-
Output Short Circuit Current	$I_{SC}$	-	10	25	35	-	25	-	mA	
Output Voltage Swing	$V_{O(P-P)}$	$V_{CC} = \pm 20V$	$R_L \geq 10K\Omega$	$\pm 16$	-	-	-	-	V	
			$R_L \geq 10K\Omega$	$\pm 15$	-	-	-	-		
		$V_{CC} = \pm 15V$	$R_L \geq 10K\Omega$	-	-	-	$\pm 12$	$\pm 14$		-
			$R_L \geq 10K\Omega$	-	-	-	$\pm 10$	$\pm 13$		-
Common Mode Rejection Ratio	CMRR	$R_S \leq 10K\Omega$ , $V_{CM} = \pm 12V$	-	-	-	70	90	-	dB	
		$R_S \leq 50\Omega$ , $V_{CM} = \pm 12V$	80	95	-	-	-	-		
Power Supply Rejection Ratio	PSRR	$V_{CC} = \pm 15V$ to $V_{CC} = \pm 15V$ $R_S \leq 50\Omega$	86	96	-	-	-	-	dB	
		$V_{CC} = \pm 15V$ to $V_{CC} = \pm 15V$ $R_S \leq 10K\Omega$	-	-	-	77	96	-		
Transient Response	Rise Time	$t_R$	Unity Gain			-	0.25	0.8	-	$\mu s$
	Overshoot	OS				-	6.0	20	-	%
Bandwidth	BW	-	0.43	1.5	-	-	-	-	MHz	
Slew Rate	SR	Unity Gain	0.3	0.7	-	-	0.5	-	$V/\mu s$	
Supply Current	$I_{CC}$	$R_L = \infty\Omega$	-	-	-	-	1.5	2.8	mA	
Power Consumption	PC	$V_{CC} = \pm 20V$	-	80	150	-	-	-	mW	
		$V_{CC} = \pm 15V$	-	-	-	-	50	85		

## Electrical Characteristics

( $0^{\circ}\text{C} \leq T_A \leq 70^{\circ}\text{C}$   $V_{CC} = \pm 15\text{V}$ , unless otherwise specified)

Parameter	Symbol	Conditions	KA741E			KA741			Unit	
			Min.	Typ.	Max.	Min.	Typ.	Max.		
Input Offset Voltage	$V_{IO}$	$R_S \leq 50\Omega$	-	-	4.0	-	-	-	mV	
		$R_S \leq 10\text{K}\Omega$	-	-	-	-	-	7.5		
Input Offset Voltage Drift	$\Delta V_{IO}/\Delta T$	-	-	15	-	-	-	$\mu\text{V}/^{\circ}\text{C}$		
Input Offset Current	$I_{IO}$	-	-	-	70	-	-	300	nA	
Input Offset Current Drift	$\Delta I_{IO}/\Delta T$	-	-	-	0.5	-	-	-	nA/ $^{\circ}\text{C}$	
Input Bias Current	$I_{BIAS}$	-	-	-	0.21	-	-	0.8	$\mu\text{A}$	
Input Resistance	$R_I$	$V_{CC} = \pm 20\text{V}$	0.5	-	-	-	-	-	$\text{M}\Omega$	
Input Voltage Range	$V_{I(R)}$	-	$\pm 12$	$\pm 13$	-	$\pm 12$	$\pm 13$	-	V	
Output Voltage Swing	$V_{O(P-P)}$	$V_{CC} = \pm 20\text{V}$	$R_S \geq 10\text{K}\Omega$	$\pm 16$	-	-	-	-	V	
			$R_S \geq 2\text{K}\Omega$	$\pm 15$	-	-	-	-		
		$V_{CC} = \pm 15\text{V}$	$R_S \geq 10\text{K}\Omega$	-	-	-	$\pm 12$	$\pm 14$		-
			$R_S \geq 2\text{K}\Omega$	-	-	-	$\pm 10$	$\pm 13$		-
Output Short Circuit Current	$I_{SC}$	-	10	-	40	10	-	40	mA	
Common Mode Rejection Ratio	CMRR	$R_S \leq 10\text{K}\Omega$ , $V_{CM} = \pm 12\text{V}$	-	-	-	70	90	-	dB	
		$R_S \leq 50\Omega$ , $V_{CM} = \pm 12\text{V}$	80	95	-	-	-	-		
Power Supply Rejection Ratio	PSRR	$V_{CC} = \pm 20\text{V}$ to $\pm 5\text{V}$	$R_S \leq 50\Omega$	86	96	-	-	-	dB	
			$R_S \leq 10\text{K}\Omega$	-	-	-	77	96		-
Large Signal Voltage Gain	$G_V$	$R_S \geq 2\text{K}\Omega$	$V_{CC} = \pm 20\text{V}$ , $V_{O(P-P)} = \pm 15\text{V}$	32	-	-	-	-	V/mV	
			$V_{CC} = \pm 15\text{V}$ , $V_{O(P-P)} = \pm 10\text{V}$	-	-	-	15	-		-
			$V_{CC} = \pm 15\text{V}$ , $V_{O(P-P)} = \pm 2\text{V}$	10	-	-	-	-		-

## Typical Performance Characteristics

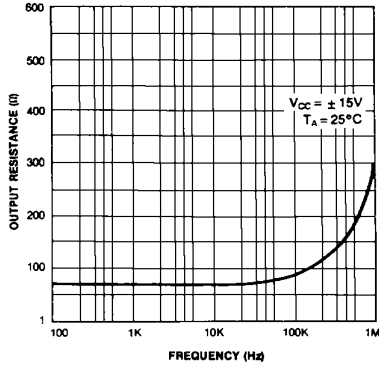


Figure 1. Output Resistance vs Frequency

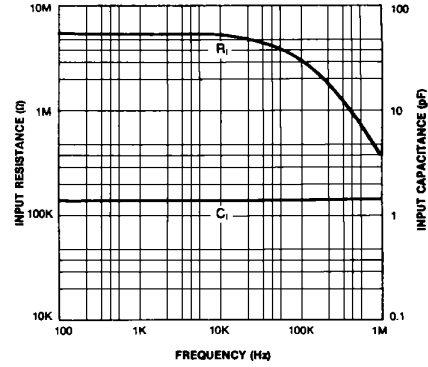


Figure 2. Input Resistance and Input Capacitance vs Frequency

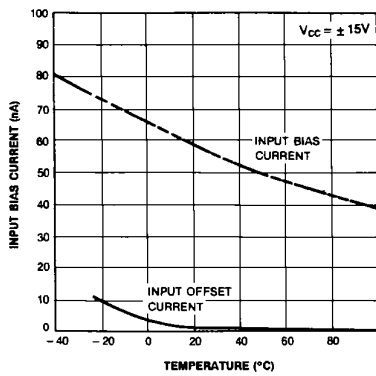


Figure 3. Input Bias Current vs Ambient Temperature

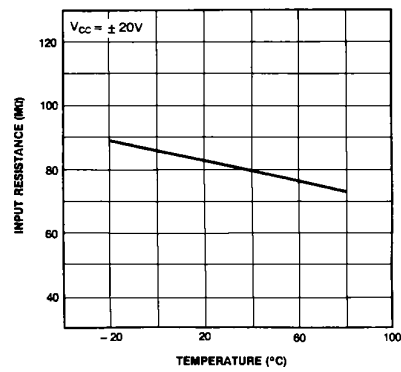


Figure 4. Power Consumption vs Ambient Temperature

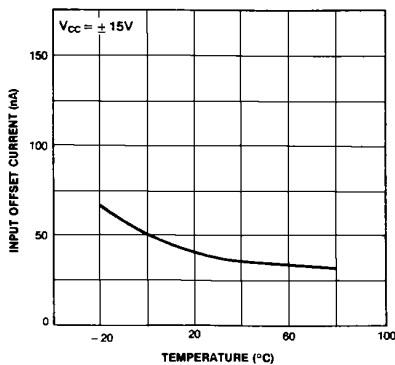


Figure 5. Input Offset Current vs Ambient Temperature

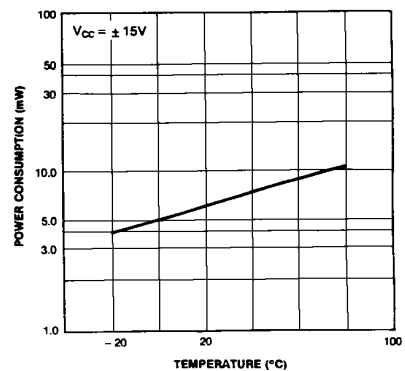


Figure 6. Input Resistance vs Ambient Temperature

## Typical Performance Characteristics (continued)

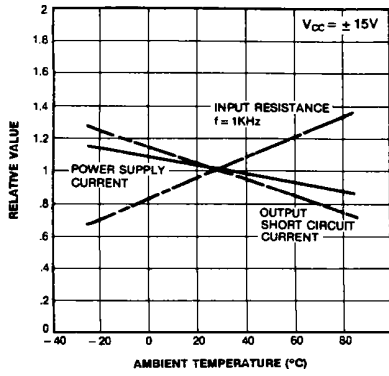


Figure 7. Normalized DC Parameters vs Ambient Temperature

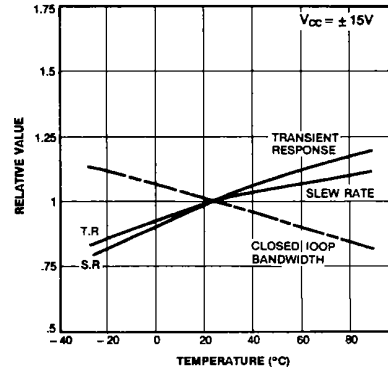


Figure 8. Frequency Characteristics vs Ambient Temperature

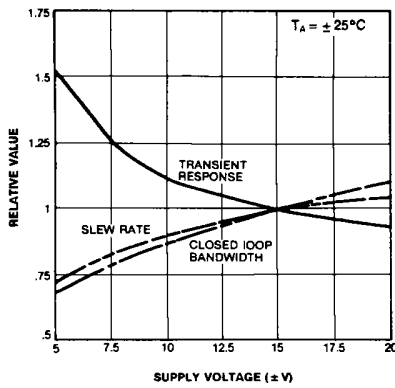


Figure 9. Frequency Characteristics vs Supply Voltage

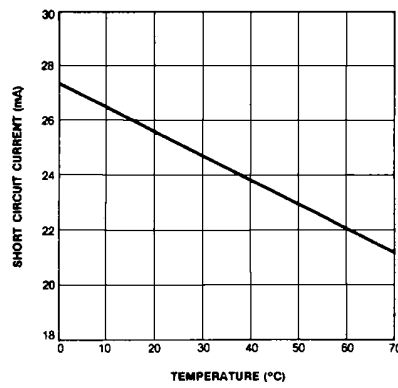


Figure 10. Output Short Circuit Current vs Ambient Temperature

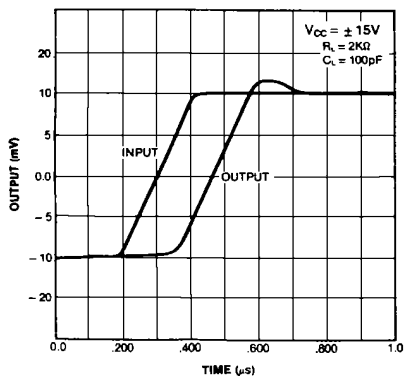


Figure 11. Transient Response

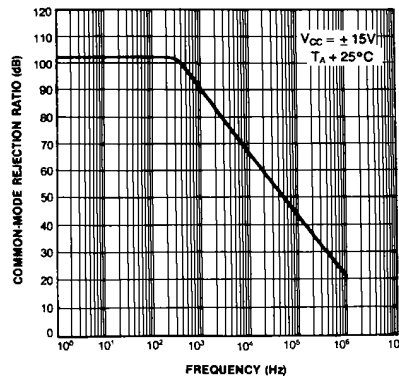


Figure 12. Common-Mode Rejection Ratio vs Frequency

## Typical Performance Characteristics (continued)

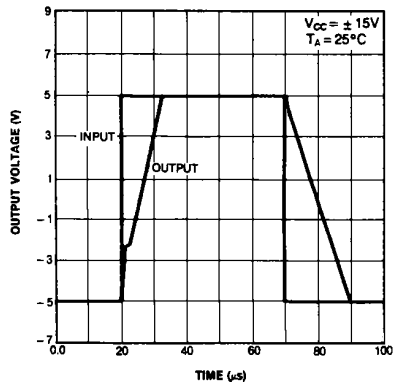


Figure 13. Voltage Follower Large Signal Pulse Response

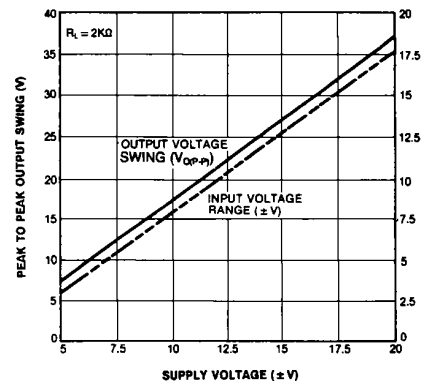
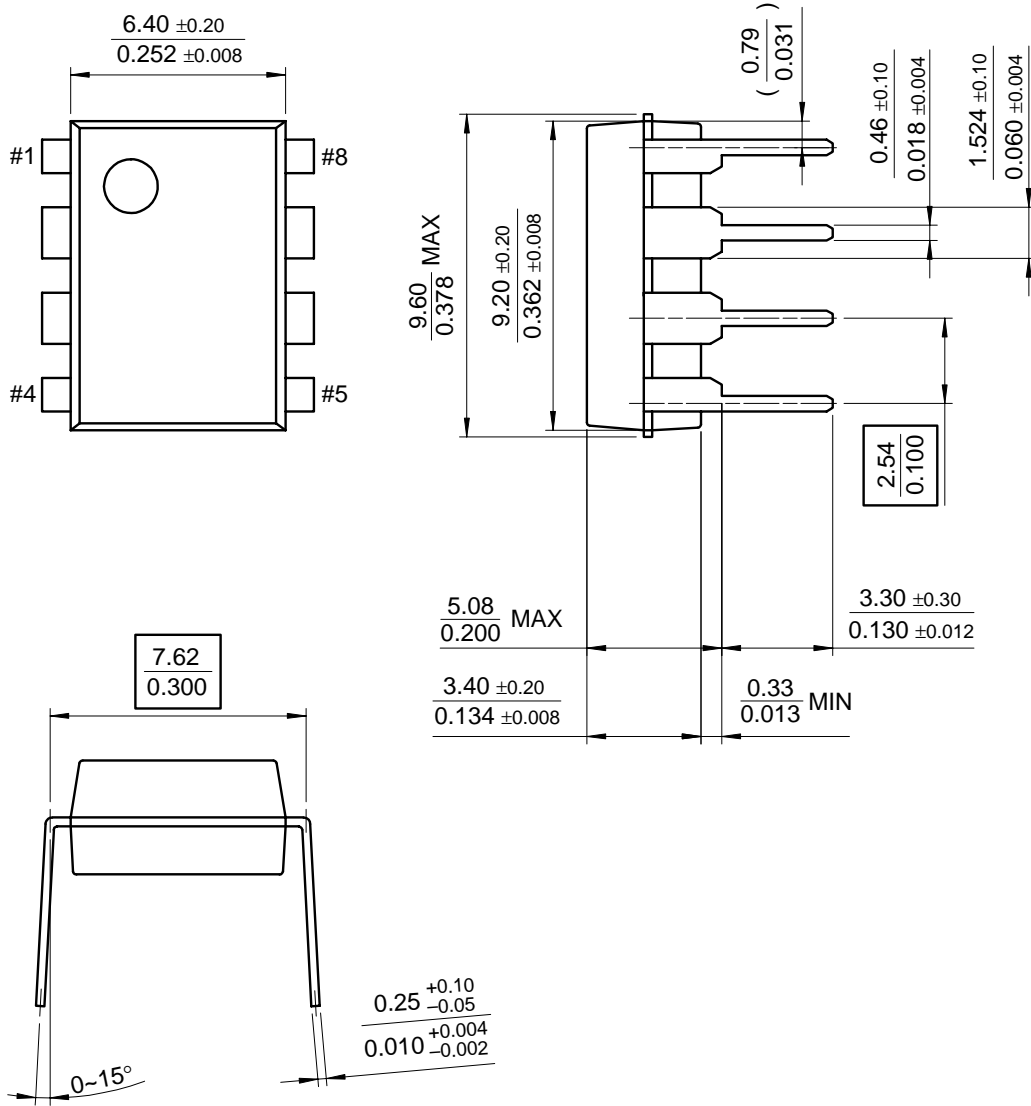


Figure 14. Output Swing and Input Range vs Supply Voltage

# Mechanical Dimensions

## Package

### 8-DIP

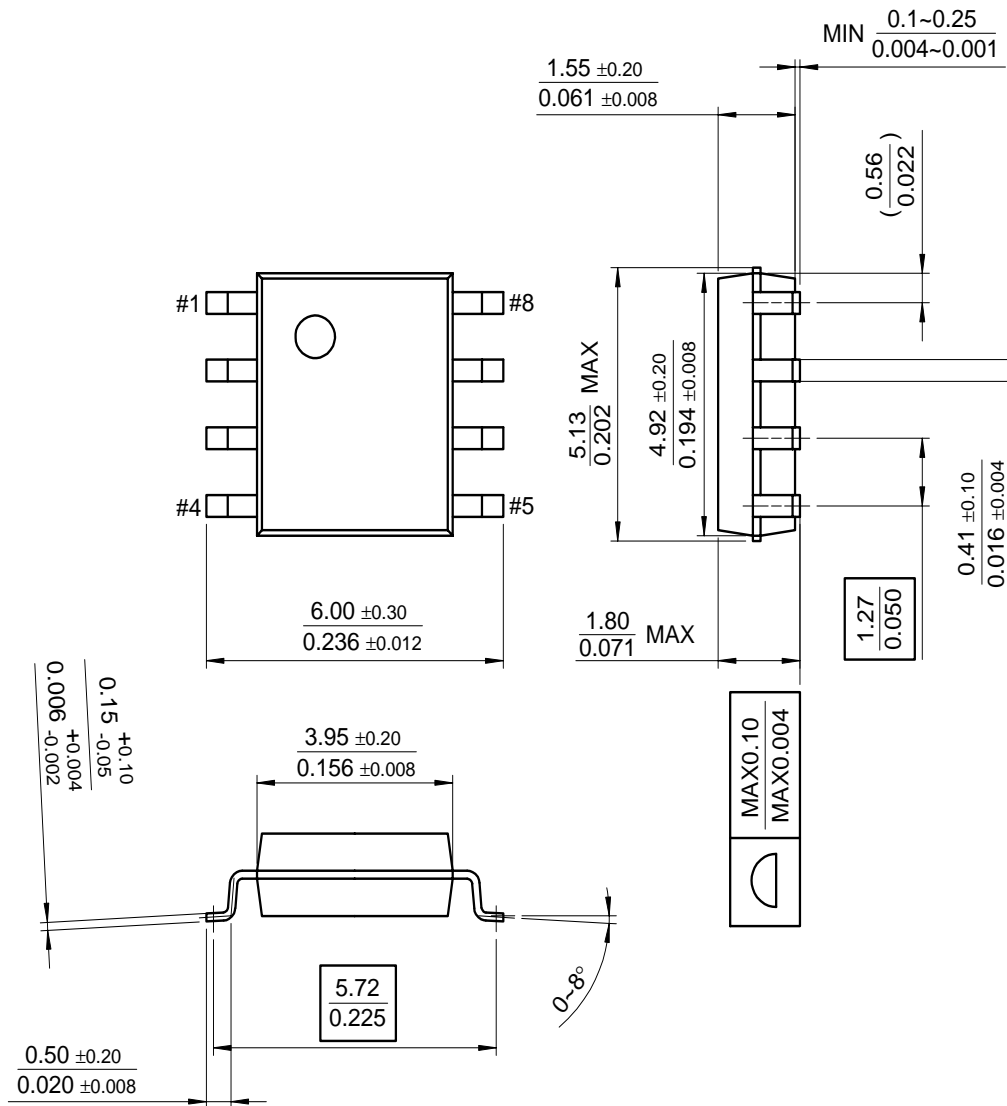




**Mechanical Dimensions** (Continued)

**Package**

**8-SOP**



**Ordering Information**

Product Number	Package	Operating Temperature
KA741	8 DIP	0 ~ + 70°C
KA741E		
KA741D	8 SOP	
KA741ED		



**LIFE SUPPORT POLICY**

FAIRCHILD'S PRODUCTS ARE NOT AUTHORIZED FOR USE AS CRITICAL COMPONENTS IN LIFE SUPPORT DEVICES OR SYSTEMS WITHOUT THE EXPRESS WRITTEN APPROVAL OF THE PRESIDENT OF FAIRCHILD SEMICONDUCTOR INTERNATIONAL. As used herein:

1. Life support devices or systems are devices or systems which, (a) are intended for surgical implant into the body, or (b) support or sustain life, and (c) whose failure to perform when properly used in accordance with instructions for use provided in the labeling, can be reasonably expected to result in a significant injury of the user.
2. A critical component in any component of a life support device or system whose failure to perform can be reasonably expected to cause the failure of the life support device or system, or to affect its safety or effectiveness.