

MM74C14 Hex Schmitt Trigger

General Description

The MM74C14 Hex Schmitt Trigger is a monolithic complementary MOS (CMOS) integrated circuit constructed with N- and P-channel enhancement transistors. The positive and negative going threshold voltages V_{T+} and V_{T-} , show low variation with respect to temperature (typ. $0.0005V/^{\circ}C$ at $V_{CC} = 10V$), and hysteresis, $V_{T+} - V_{T-} \geq 0.2 V_{CC}$ is guaranteed.

All inputs are protected from damage due to static discharge by diode clamps to V_{CC} and GND.

Features

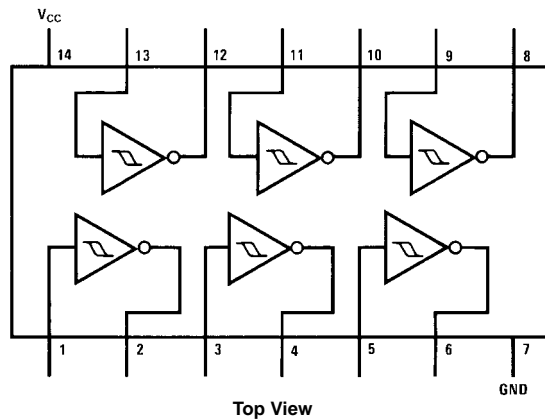
- Wide supply voltage range: 3.0V to 15V
- High noise immunity: $0.70 V_{CC}$ (typ.)
- Low power: TTL compatibility:
0.4 V_{CC} (typ.) 0.2 V_{CC} guaranteed
- Hysteresis: 0.4 V_{CC} (typ.): 0.2 V_{CC} guaranteed

Ordering Code:

| Order Number | Package Number | Package Description |
|--------------|----------------|--|
| MM74C14M | M14A | 14-Lead Small Outline Integrated Circuit (SOIC), JEDEC MS-012, 0.150" Narrow |
| MM74C14N | N14A | 14-Lead Plastic Dual-In-Line Package (PDIP), JEDEC MS-001, 0.300" Wide |

Devices also available in Tape and Reel. Specify by appending suffix letter "X" to the ordering code.

Connection Diagram



Absolute Maximum Ratings(Note 1)

| | |
|-----------------------------|--------------------------|
| Voltage at Any Pin | -0.3V to $V_{CC} + 0.3V$ |
| Operating Temperature Range | -55°C to +125°C |
| Storage Temperature Range | -65°C to +150°C |
| Power Dissipation | |
| Dual-In-Line | 700 mW |
| Small Outline | 500mW |
| Operating V_{CC} Range | 3.0V to 15V |
| Absolute Maximum V_{CC} | 18V |
| Lead Temperature | |
| (Soldering, 10 seconds) | 260°C |

Note 1: "Absolute Maximum Ratings" are those values beyond which the safety of the device cannot be guaranteed. Except for "Operating Temperature Range" they are not meant to imply that the devices should be operated at these limits. The Electrical Characteristics tables provide conditions for actual device operation.

DC Electrical Characteristics

Min/Max limits apply across the guaranteed temperature range unless otherwise noted

| Symbol | Parameter | Conditions | Min | Typ | Max | Units |
|---|-----------------------------------|---|-------|--------|------|---------|
| CMOS TO CMOS | | | | | | |
| V_{T+} | Positive Going Threshold Voltage | $V_{CC} = 5V$ | 3.0 | 3.6 | 4.3 | V |
| | | $V_{CC} = 10V$ | 6.0 | 6.8 | 8.6 | |
| | | $V_{CC} = 15V$ | 9.0 | 10.0 | 12.9 | |
| V_{T-} | Negative Going Threshold Voltage | $V_{CC} = 5V$ | 0.7 | 1.4 | 2.0 | V |
| | | $V_{CC} = 10V$ | 1.4 | 3.2 | 4.0 | |
| | | $V_{CC} = 15V$ | 2.1 | 5.0 | 6.0 | |
| $V_{T+} - V_{T-}$ | Hysteresis | $V_{CC} = 5V$ | 1.0 | 2.2 | 3.6 | V |
| | | $V_{CC} = 10V$ | 2.0 | 3.6 | 7.2 | |
| | | $V_{CC} = 15V$ | 3.0 | 5.0 | 10.8 | |
| $V_{OUT(1)}$ | Logical "1" Output Voltage | $V_{CC} = 5V, I_O = -10 \mu A$ | 4.5 | | | V |
| | | $V_{CC} = 10V, I_O = -10 \mu A$ | 9.0 | | | |
| $V_{OUT(0)}$ | Logical "0" Output Voltage | $V_{CC} = 5V, I_O = 10 \mu A$ | | | 0.5 | V |
| | | $V_{CC} = 10V, I_O = 10 \mu A$ | | | 1.0 | |
| $I_{IN(1)}$ | Logical "1" Input Current | $V_{CC} = 15V, V_{IN} = 15V$ | | 0.005 | 1.0 | μA |
| $I_{IN(0)}$ | Logical "0" Input Current | $V_{CC} = 15V, V_{IN} = 0V$ | -1.0 | -0.005 | | μA |
| I_{CC} | Supply Current | $V_{CC} = 15V, V_{IN} = 0V/15V$ | | 0.05 | 15 | μA |
| | | $V_{CC} = 5V, V_{IN} = 2.5V$ (Note 2) | | 20 | | |
| | | $V_{CC} = 10V, V_{IN} = 5V$ (Note 2) | | 200 | | |
| | | $V_{CC} = 15V, V_{IN} = 7.5V$ (Note 2) | | 600 | | |
| CMOS/LPTTL INTERFACE | | | | | | |
| $V_{IN(1)}$ | Logical "1" Input Voltage | $V_{CC} = 5V$ | 4.3 | | | V |
| $V_{IN(0)}$ | Logical "0" Input Voltage | $V_{CC} = 5V$ | | | 0.7 | V |
| $V_{OUT(1)}$ | Logical "1" Output Voltage | 74C, $V_{CC} = 4.75V, I_O = -360 \mu A$ | 2.4 | | | V |
| $V_{OUT(0)}$ | Logical "0" Output Voltage | 74C, $V_{CC} = 4.75V, I_O = 360 \mu A$ | | | 0.4 | V |
| OUTPUT DRIVE (see Family Characteristics Data Sheet) $T_A = 25^\circ C$ (Short Circuit Current) | | | | | | |
| I_{SOURCE} | Output Source Current (P-Channel) | $V_{CC} = 5V, V_{OUT} = 0V$ | -1.75 | -3.3 | | mA |
| I_{SOURCE} | Output Source Current (P-Channel) | $V_{CC} = 10V, V_{OUT} = 0V$ | -8.0 | -15 | | mA |
| I_{SINK} | Output Sink Current (N-Channel) | $V_{CC} = 5V, V_{OUT} = V_{CC}$ | 1.75 | 3.6 | | mA |
| I_{SINK} | Output Sink Current (N-Channel) | $V_{CC} = 10V, V_{OUT} = V_{CC}$ | 8.0 | 16 | | mA |

Note 2: Only one of the six inputs is at $\frac{1}{2} V_{CC}$; the others are either at V_{CC} or GND.

AC Electrical Characteristics (Note 3)

$T_A = 25^\circ\text{C}$, $C_L = 50\text{ pF}$, unless otherwise specified

| Symbol | Parameter | Conditions | Min | Typ | Max | Units |
|-----------|---|-----------------------|-----|-----|-----|-------|
| t_{PD0} | Propagation Delay from Input to Output | $V_{CC} = 5\text{V}$ | | 220 | 400 | n |
| t_{PD1} | | $V_{CC} = 10\text{V}$ | | 80 | 200 | ns |
| C_{IN} | Input Capacitance | Any Input (Note 4) | | 5.0 | | pF |
| C_{PD} | Power Dissipation Capacitance | Per Gate (Note 5) | | 20 | | pF |

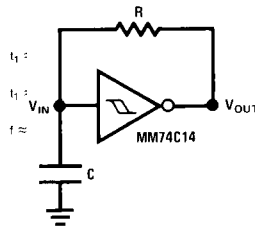
Note 3: AC Parameters are guaranteed by DC correlated testing.

Note 4: Capacitance is guaranteed by periodic testing.

Note 5: C_{PD} determines the no load AC power consumption of any CMOS device. For complete explanation see Family Characteristics Application Note—AN-90.

Typical Applications

Low Power Oscillator

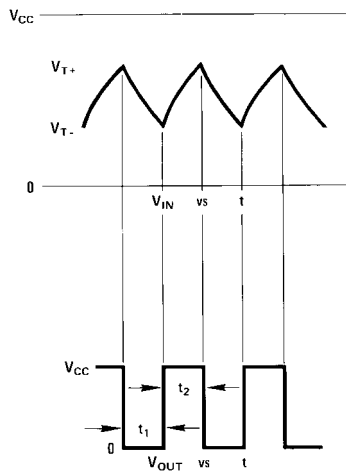


$$t_1 \approx RC \ln \frac{V_{T+}}{V_T}$$

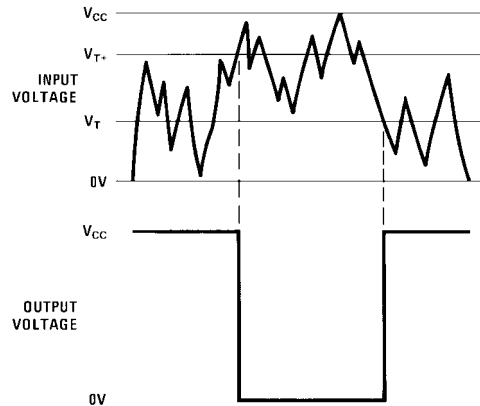
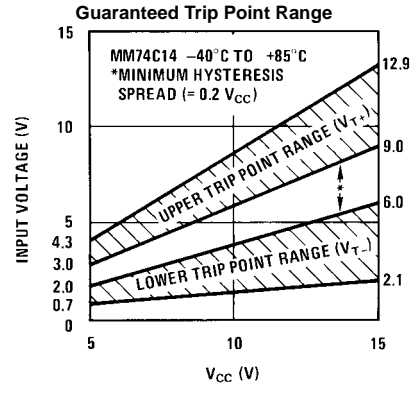
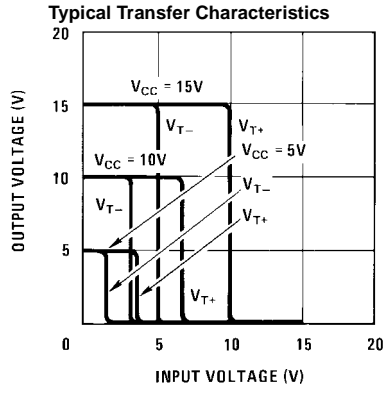
$$t_2 \approx RC \ln \frac{V_{CC} - V_{T-}}{V_{CC} - V_{T+}}$$

$$f \approx \frac{1}{RC \ln \frac{V_{T+}(V_{CC} - V_{T-})}{V_{T-}(V_{CC} - V_{T+})}} \approx \frac{1}{1.7 RC}$$

Note: The equations assume $t_1 + t_2 \gg t_{pd0} + t_{pd1}$

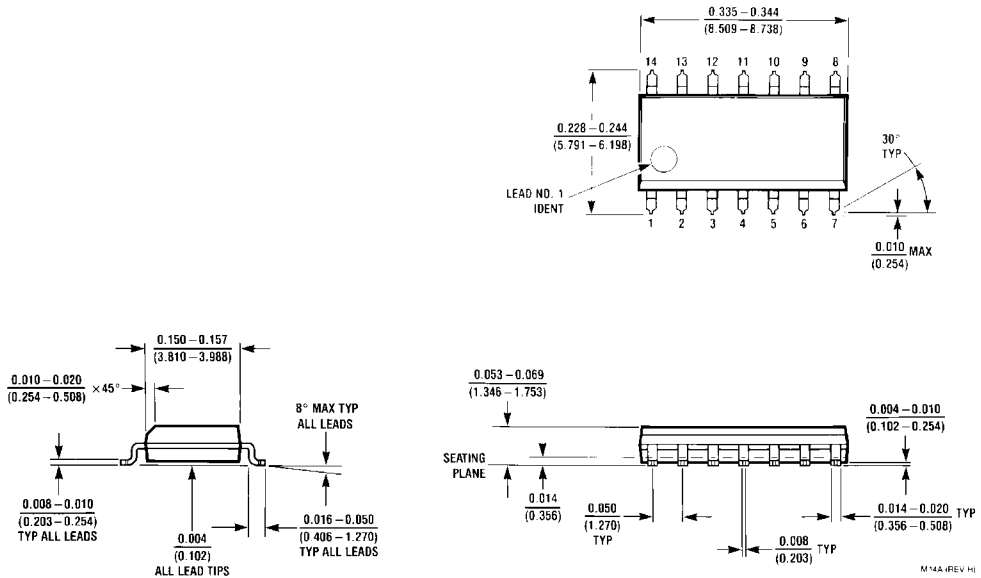


Typical Performance Characteristics



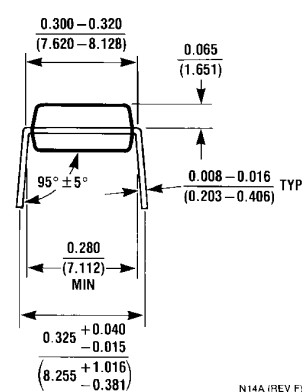
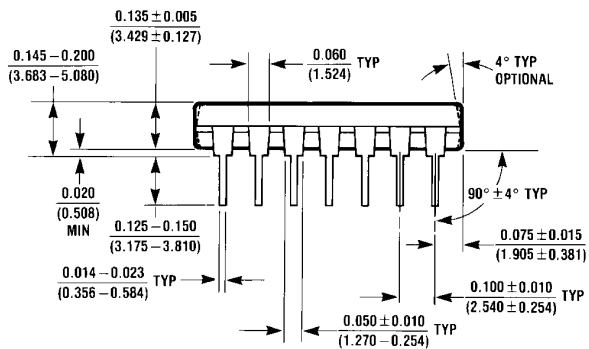
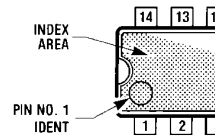
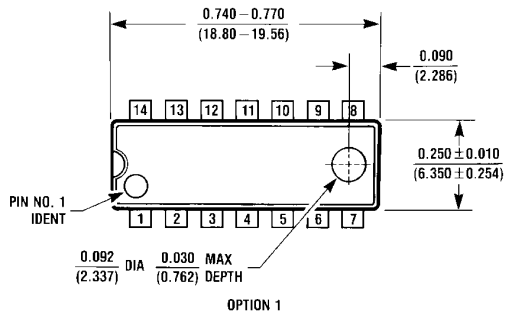
Note: For more information on output drive characteristics, power dissipation, and propagation delays, see AN-90.

Physical Dimensions inches (millimeters) unless otherwise noted



**14-Lead Small Outline Integrated Circuit (SOIC), JEDEC MS-012, 0.150" Narrow
Package Number M14A**

Physical Dimensions inches (millimeters) unless otherwise noted (Continued)



14-Lead Plastic Dual-In-Line Package (PDIP), JEDEC MS-001, 0.300" Wide Package Number N14A

N14A (REV F)

Fairchild does not assume any responsibility for use of any circuitry described, no circuit patent licenses are implied and Fairchild reserves the right at any time without notice to change said circuitry and specifications.

LIFE SUPPORT POLICY

FAIRCHILD'S PRODUCTS ARE NOT AUTHORIZED FOR USE AS CRITICAL COMPONENTS IN LIFE SUPPORT DEVICES OR SYSTEMS WITHOUT THE EXPRESS WRITTEN APPROVAL OF THE PRESIDENT OF FAIRCHILD SEMICONDUCTOR CORPORATION. As used herein:

1. Life support devices or systems are devices or systems which, (a) are intended for surgical implant into the body, or (b) support or sustain life, and (c) whose failure to perform when properly used in accordance with instructions for use provided in the labeling, can be reasonably expected to result in a significant injury to the user.
2. A critical component in any component of a life support device or system whose failure to perform can be reasonably expected to cause the failure of the life support device or system, or to affect its safety or effectiveness.

www.fairchildsemi.com