



LM317

3-TERMINAL ADJUSTABLE REGULATORS

DESCRIPTION

The LM317 are adjustable 3-terminal positive-voltage regulators capable of supplying 1.5A over a differential voltage range of 3V to 40V. They are exceptionally easy to use and require only two external resistors to set the output voltage. Both input and output regulation is better than standard fixed regulators.

In addition to higher performance than fixed regulators, these regulators offer full overload protection available only in integrated circuits. Included on the chip are current limit, thermal overload protection, and safe-area protection. All overload protection circuit remains fully functional even if the adjustment terminal is disconnected. Normally, no capacitors are needed unless the device is situated far from the input filter capacitors in which case an input bypass is needed. An optional output capacitor can be added to improve transient response.

The primary applications of each of these regulators is that of a programmable output regulator, but by connecting a fixed resistor between adjustment terminal and the output terminal, each device can be used as a precision current regulator. Even though the regulator is floating and sees only the input-to-output differential voltage, use of these devices to regulate output voltages that would cause the maximum-rated differential voltage to be exceeded if the output became shorted is not recommended

FEATURES

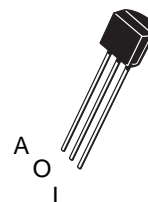
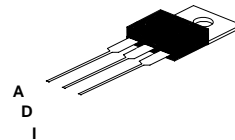
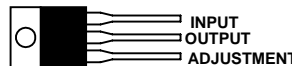
- ◆ Output Voltage Range Adjustable from 1.2 V to 37V
- ◆ Output Current Capability of 1.5A Max
- ◆ Input Regulation Typically 0.01% Per Input-Volt Change
- ◆ Output Regulation Typically 0.1%
- ◆ Peak Output Current Constant over Temperature Range of Regulator
- ◆ Popular 3-Lead TO-220 AB Package
- ◆ Ripple Rejection Typically 80 dB

ABSOLUTE MAXIMUM RATINGS

Input-Output Voltage Differential $V_I - V_O$
 Operating Junction Temperature Range
 Continuous total dissipation at 25°C free-air temperature
 Continuous total dissipation at (or below) 25°C case temperature
 Storage Temperature
 Lead Temperature 1.6 mm from case for 10 seconds

40V
 0°C to +125°C
 2000mW
 15W
 -65°C to +150°C
 260°C

TO-220 PACKAGE LM317T



TO-92 LM317LZ

RECOMMENDED OPERATING CONDITIONS

	MIN	MAX	UNIT
OUTPUT CURRENT, I_o	10	1500	mA
OPERATING VIRTUAL JUNCTION TEMPERATURE, T_J	0	70	°C



LM317

3-TERMINAL ADJUSTABLE REGULATORS

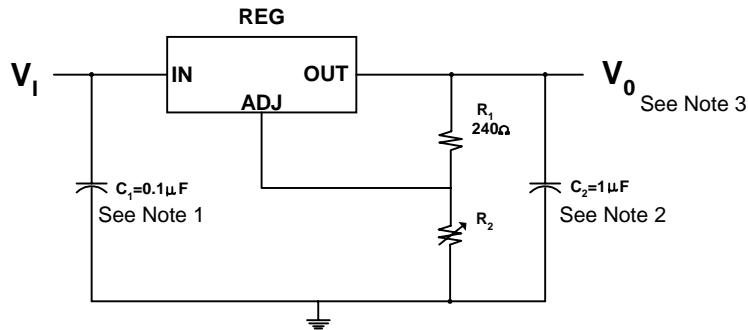
ELECTRICAL CHARACTERISTICS

Unless otherwise noted, these specifications apply for the following test conditions: $V_i - V_o = 5V$ and $I_o = 0.5A$. For conditions shown as MIN or MAX, use the appropriate value specified under recommended operating conditions.

PARAMETER	TEST CONDITIONS				UNIT
		MIN	TYP	MAX	
Input Regulation*2	$V_i - V_o = 3V$ to $40V$ *3	$T_j = \text{MIN to MAX}$	0.01	0.04	% / V
		$I_o = 10mA$ to $1.5A$	0.02	0.07	
Ripple Rejection	$V_o = 10V, f = 120HZ$		65		dB
	$V_o = 10V, f = 120HZ$ 10- μF capacitor between ADJ and ground	66	80		
Output Regulation	$I_o = 10mA$ TO $1.5A,$ $T_j = 25^\circ C$ *3,	$V_o \leq 5V$	5	25	mV
		$V_o > 5V$	0.1	0.5	%
	$I_o = 10mA$ to $1.5A$ *3	$V_o \geq 5V$	20	70	mV
		$V_o > 5V$	0.3	1.5	%
Output Voltage Change With Temperature	$T_j = \text{MIN to MAX}$		1		%
Output Voltage long-term Drift*4	After 1000h at $T_j = \text{MAX}$ and $V_i - V_o = 40V$		0.3	1	%
Output Noise Voltage	$f = 10Hz$ to $10kHz, T_j = 25^\circ C$		0.003		%
Minimum Output Current to Maintain Regulation	$V_i - V_o = 40V$		3.5	10	mA
Peak Output Current	$V_i - V_o \leq 15V$	1.5	2.2		A
	$V_i - V_o \leq 40V, T_j = 25$	0.15	0.4		
Adjustment-terminal Current			50	100	μA
Change in adjustment-terminal Current	$V_i - V_o = 2.5V$ to $40V,$ $I_o = 10mA$ to $1.5A$		0.2	5.0	μA
Reference Voltage(Output to ADJ)	$V_i - V_o = 3V$ to $40V, I_o = 10mA$ to $1.5A,$ $P \leq 15W$	1.20	1.25	1.30	V

- *1 All characteristics are measured with a 0.1- μF capacitor across the input and a 1- μF capacitor across the output.
- *2 Input regulation is expressed here as the percentage change in output voltage per 1-V change at the input
- *3 Pulse testing techniques are used to maintain the junction temperature as close to the ambient temperature as possible. Thermal effects must be taken into account separately.
- *4 Since long-term drift cannot be measured on the individual devices prior to shipment. This specification is not intended to be a guarantee or warranty. It is an engineering estimate of the average drift to be expected from lot to lot.

TYPICAL APPLICATION DATA



Output voltage is calculated from $V_o = V_{REF} \left\{ 1 + \frac{R_2}{R_1} \right\}$

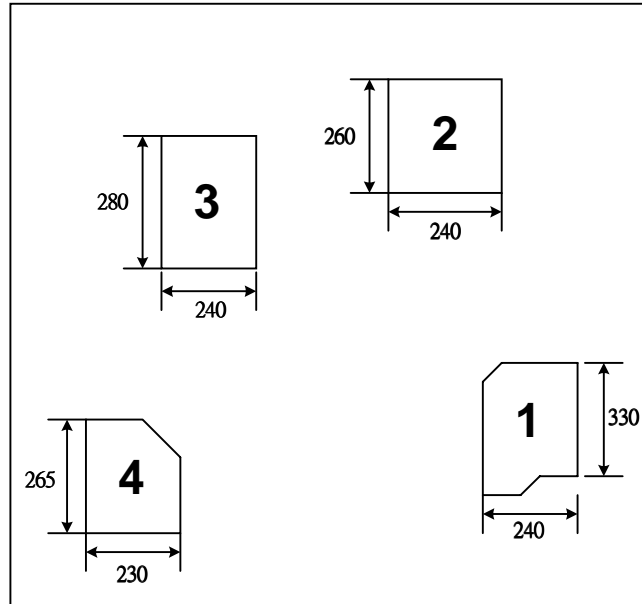
1. Use of an input bypass capacitor is recommended if regulator is far from filter capacitors.
2. Use of an output capacitor improves transient response but is optional.
3. V_{REF} equals the difference between the output and adjustment terminal voltages.



LM317

3-TERMINAL ADJUSTABLE REGULATORS

POSITIVE ADJUSTABLE REGULATOR



Chip Size: 2.45X1.85mm

PAD LOCATION LM317

PAD N	PAD NAME	COORDINATES μm	
		X	Y
1	ADJ	2120	410
2	OUTPUT	1730	1490
3	INPUT	1120	950
4	OUTPUT	90	100