

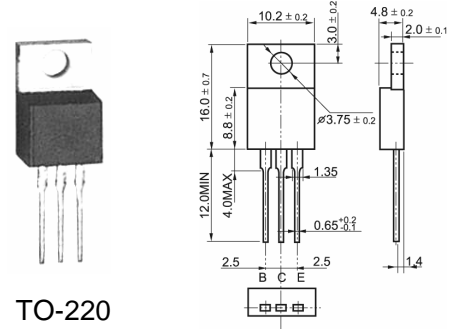


# SILICON EPITAXIAL PLANAR TRANSISTOR

## MJE3055T/MJE2955T

### GENERAL DESCRIPTION

Complementary, high power transistors in a plastic envelope, primarily for use in audio and general purpose



TO-220

### QUICK REFERENCE DATA

SYMBOL	PARAMETER	CONDITIONS	MIN	MAX	UNIT
$V_{CBO}$	Collector-emitter voltage peak value	$V_{BE} = 0V$	-	70	V
$V_{CEO}$	Collector-emitter voltage (open base)		-	60	V
$I_C$	Collector current (DC)		-	10	A
$I_{CM}$	Collector current peak value		-		A
$P_{tot}$	Total power dissipation	$T_{mb} \leq 25^\circ C$	-	75	W
$V_{CEsat}$	Collector-emitter saturation voltage	$I_C = 4.0A; I_B = 0.4A$	-	1.2	V
$V_F$	Diode forward voltage	$I_F = 4.0A$	1.5	2.0	V
$t_f$	Fall time			-	$\mu S$

### LIMITING VALUES

SYMBOL	PARAMETER	CONDITIONS	MIN	MAX	UNIT
$V_{CESM}$	Collector-emitter voltage peak value	$V_{BE} = 0V$	-	70	V
$V_{CEO}$	Collector-emitter voltage (open base)		-	60	V
$V_{EBO}$	Emitter-base voltage (open collector)			5	v
$I_C$	Collector current (DC)		-	10	A
$I_B$	Base current (DC)		-	6	A
$P_{tot}$	Total power dissipation	$T_{mb} \leq 25^\circ C$	-	75	W
$T_{sta}$	Storage temperature		-55	150	$^\circ C$
$T_j$	Junction temperature		-	150	$^\circ C$

### ELECTRICAL CHARACTERISTICS

SYMBOL	PARAMETER	CONDITIONS	MIN	MAX	UNIT
$I_{CBO}$	Collector-base cut-off current	$V_{CB} = 70V$	-	1.0	mA
$I_{EBO}$	Emitter-base cut-off current	$V_{EB} = 5V$	-	2.5	mA
$V_{(BR)CEO}$	Collector-emitter breakdown voltage	$I_C = 1mA$	60		v
$V_{CEsat}$	Collector-emitter saturation voltages	$I_C = 4.0A; I_B = 0.4A$	-	1.2	V
$h_{FE}$	DC current gain	$I_C = 4.0A; V_{CE} = 4V$	20	100	
$f_T$	Transition frequency at $f = 5MHz$	$I_C = 0.5A; V_{CE} = 10V$	5	-	MHz
$C_c$	Collector capacitance at $f = 1MHz$	$V_{CB} = 10V$		350	pF
$t_{on}$	On times				us
$t_s$	Turn-off storage time				us
$t_f$	Fall time				us