



**TIP36C**

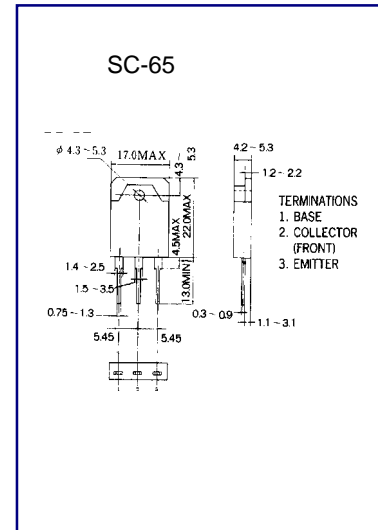
**PNP PLANAR SILICON TRANSISTOR**

**AUDIO POWER AMPLIFIER  
DC TO DC CONVERTER**

- High Current Capability
- High Power Dissipation
- Complementary to TIP35C

**ABSOLUTE MAXIMUM RATING (Ta=25°C)**

| Characteristic            | Symbol | Rating  | Unit |
|---------------------------|--------|---------|------|
| Collector-Base Voltage    | VCBO   | -100    | V    |
| Collector-Emitter Voltage | VCEO   | -100    | V    |
| Emitter-Base voltage      | VEBO   | -6      | V    |
| Collector Current (DC)    | IC     | -15     | A    |
| Collector Dissipation     | PC     | 125     | W    |
| Junction Temperature      | Tj     | 150     | °C   |
| Storage Temperature       | Tstg   | -55~150 | °C   |



**ELECTRICAL CHARACTERISTICS (Ta=25°C)**

| Characteristic                        | Symbol   | Test Condition  | Min  | Typ | Max  | Unit |
|---------------------------------------|----------|-----------------|------|-----|------|------|
| Collector Base Breakdown Voltage      | BVCBO    | IC=-5 mA IE=0   | -100 |     |      | V    |
| Collector Emitter Breakdown Voltage   | BVCEO    | IC=-10 mA RBE=∞ | -100 |     |      | V    |
| Emitter Base Breakdown Voltage        | BVEBO    | IE=-5mA IC=0    | -6   |     |      | V    |
| Collector Cutoff Current              | ICBO     | VCB=-50V IE=0   |      |     | 0.1  | mA   |
| Emitter Cutoff Current                | IEBO     | VEB=-4V IC=0    |      |     | 0.1  | mA   |
| *DC Current Gain                      | hFE1     | VCE=-5V IC=-1A  | 55   |     | 150  |      |
| DC Current Gain                       | hFE2     | VCE=-5V IC=-5A  | 20   |     |      |      |
| Collector- Emitter Saturation Voltage | VCE(sat) | IC=-5A IB=-0.5A |      |     | -1.0 | V    |