

# Transistors

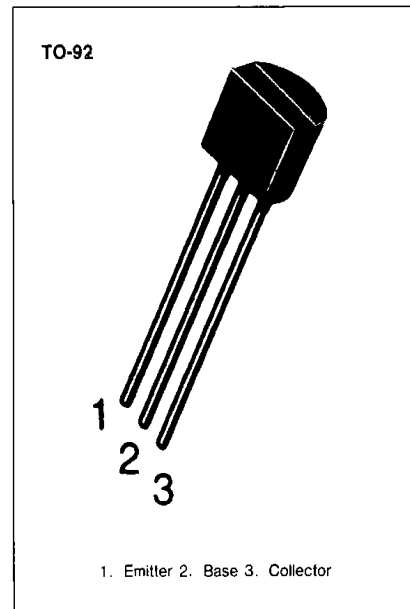
## 2SC945

### AUDIO FREQUENCY AMPLIFIER HIGH FREQUENCY OSC.

- Complement to KSA733
- Collector-Base Voltage  $V_{CB0} = 60V$
- High Current Gain Bandwidth Product  $f_T = 300MHz$  (Typ)

### ABSOLUTE MAXIMUM RATINGS ( $T_a = 25^\circ C$ )

Characteristic	Symbol	Rating	Unit
Collector-Base Voltage	$V_{CB0}$	60	V
Collector-Emitter Voltage	$V_{CE0}$	50	V
Emitter-Base Voltage	$V_{EB0}$	5	V
Collector Current	$I_C$	150	mA
Collector Dissipation	$P_C$	250	mW
Junction Temperature	$T_j$	150	$^\circ C$
Storage Temperature	$T_{stg}$	-55 ~ 150	$^\circ C$



### ELECTRICAL CHARACTERISTICS ( $T_a = 25^\circ C$ )

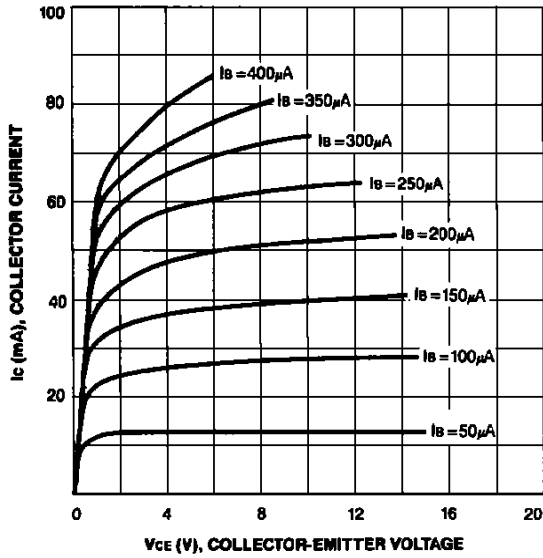
Characteristic	Symbol	Test Conditions	Min	Typ	Max	Unit
Collector-Base Breakdown Voltage	$BV_{CB0}$	$I_C = 100\mu A, I_E = 0$	60			V
Collector-Emitter Breakdown Voltage	$BV_{CE0}$	$I_C = 10mA, I_B = 0$	50			V
Emitter-Base Breakdown Voltage	$BV_{EB0}$	$I_E = 10\mu A, I_C = 0$	5			V
Collector Cut-off Current	$I_{CBO}$	$V_{CB} = 40V, I_E = 0$			0.1	$\mu A$
Emitter Cut-off Current	$I_{EBO}$	$V_{EB} = 3V, I_C = 0$			0.1	$\mu A$
DC Current Gain	$h_{FE}$	$V_{CE} = 6V, I_C = 1.0mA$	40		700	
Collector-Emitter Saturation Voltage	$V_{CE(sat)}$	$I_C = 100mA, I_B = 10mA$		0.15	0.3	V
Current-Gain-Bandwidth Product	$f_T$	$V_{CE} = 6V, I_C = 10mA$		300		MHz
Output Capacitance	$C_{ob}$	$V_{CB} = 6V, I_E = 0$ $f = 1MHz$		2.5		pF
Noise Figure	NF	$V_{CE} = 6V, I_E = -0.5mA$ $f = 1KHz, R_s = 500\Omega$		4.0		dB

### $h_{FE}$ CLASSIFICATION

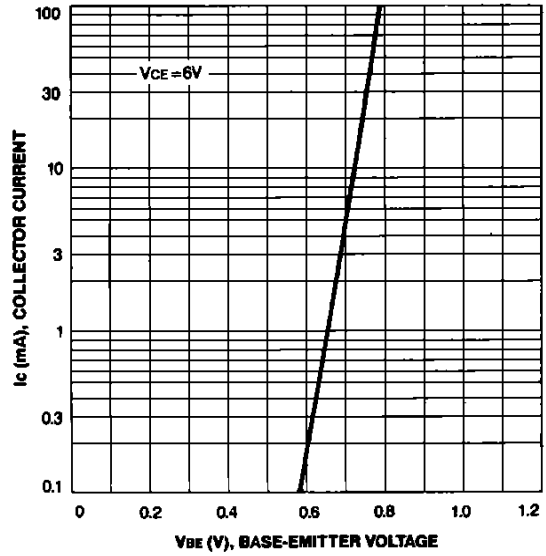
Classification	R	O	Y	G	L
$h_{FE}$	40-80	70-140	120-240	200-400	350-700



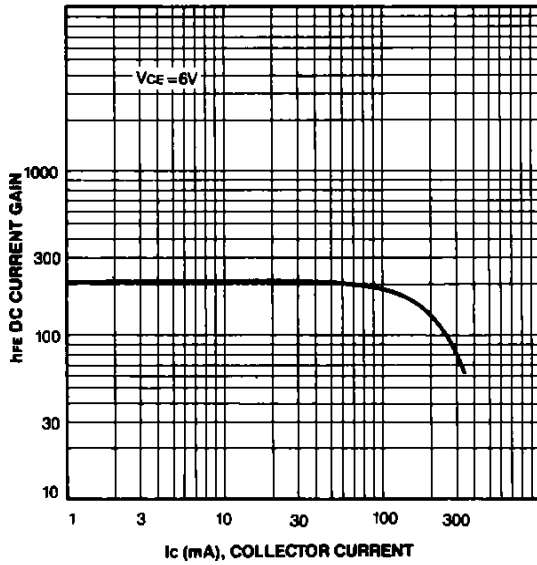
**STATIC CHARACTERISTIC**



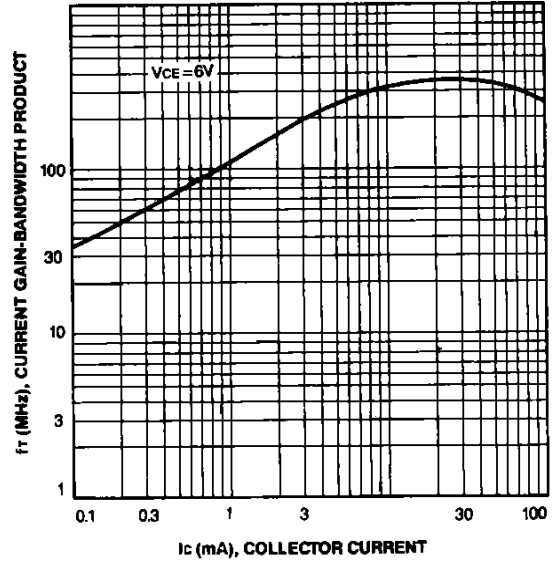
**TRANSFER CHARACTERISTIC**



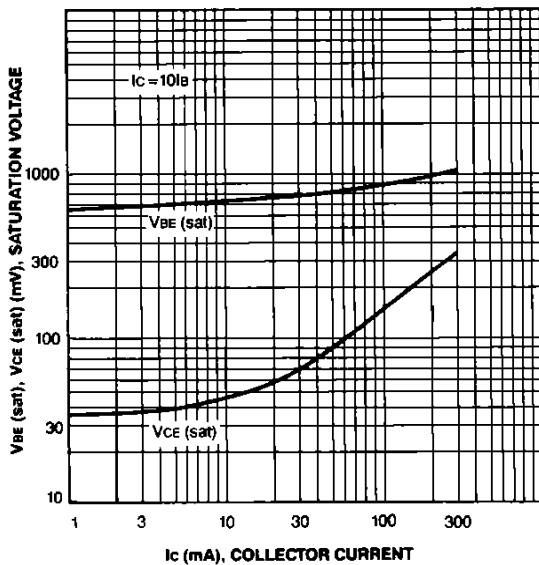
**DC CURRENT GAIN**



**CURRENT GAIN BANDWIDTH PRODUCT**



**BASE-EMITTER SATURATION VOLTAGE  
COLLECTOR-EMITTER SATURATION VOLTAGE**



**OUTPUT CAPACITANCE**

