

TDA2611

LINEAR INTEGRATED CIRCUIT

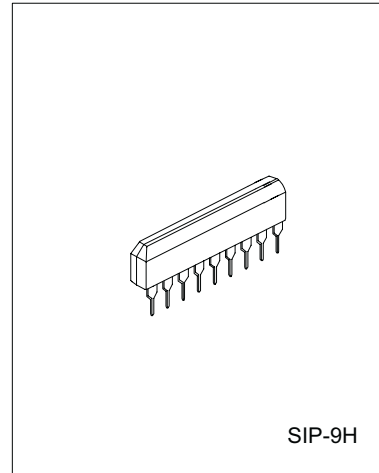
DUAL EQUALIZER AMPLIFIER WITH ALC

DESCRIPTION

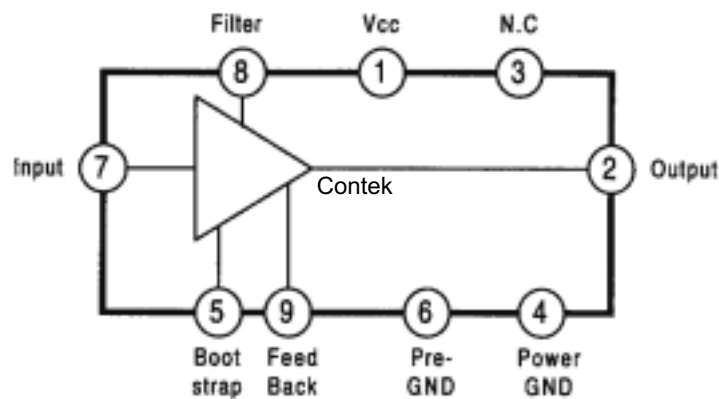
The Contek TDA2611 is a monolithic integrated circuit designed for the TV IF sound power amplifier. It also can be used in audio power amplifier sets.

FEATURES

- *Wide operating voltage (6V to 35V)
- *Few external components
- *Fixed Closed Loop Gain
- *High input impedance
- *Built-in Thermal protection circuit
- *Fine ripple rejection characteristic



BLOCK DIAGRAM



ABSOLUTE MAXIMUM RATINGS (Ta=25 C)

PARAMETER	SYMBOL	VALUE	UNIT
Supply Voltage	Vcc	35	V
Pulse Peak Output Current	Ios	3	A
Peak Output Current (continuously)	Ior	1.5	A
Operating Temperature	Topr	-25 to + 150	C
Storage Temperature	Tstg	-55 to + 150	C



Contek Microelectronics Co.,Ltd.

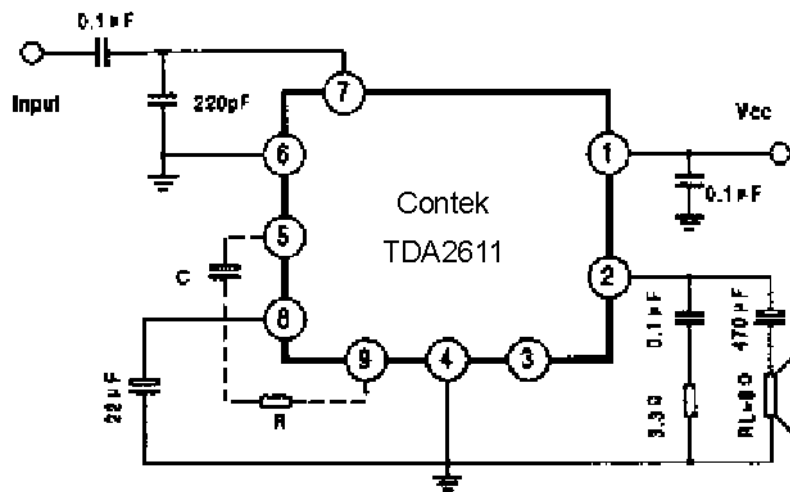
<http://www.contek-ic.com> E-mail:sales@contek-ic.com

TDA2611 LINEAR INTEGRATED CIRCUIT

ELECTRICAL CHARACTERISTICS ($T_a=25\text{ C}$, $V_{cc}=18\text{V}$, $R_L=8\Omega$, $f=1\text{KHZ}$, unless otherwise specified)

PARAMETER	SYMBOL	TEST CONDITIONS	MIN	TYP	MAX	UNIT
Output Power	P_o	$V_{cc}=18\text{V}, R_L=8\ \Omega, \text{THD}=10\%$	4	4.5		W
		$V_{cc}=12\text{V}, R_L=8\ \Omega, \text{THD}=10\%$		1.7		
		$V_{cc}=8.3\text{V}, R_L=8\ \Omega, \text{THD}=10\%$		0.65		
		$V_{cc}=20\text{V}, R_L=15\ \Omega, \text{THD}=10\%$		6		
		$V_{cc}=25\text{V}, R_L=8\ \Omega, \text{THD}=10\%$		5		
Total Harmonic Distortion	THD	$P_o=2\text{W}$			1	%
Bandwidth	BW		15			kHz
Noise Output Voltage	V_{no}	$R_g=5\text{k}\Omega, 60\text{Hz} \sim 15\text{kHz}$		0.2	0.5	mV
Input Impedance	R_i			45		$\text{k}\Omega$
Input Sensitivity	V_{is}	$P_o=2.5\text{W}$	44	55	66	mV
Quiescent Circuit Current	I_{cc}	No Input Signal		25		mA

TEST CIRCUIT



Contek Microelectronics Co.,Ltd.

<http://www.contek-ic.com> E-mail:sales@contek-ic.com

TDA2611 LINEAR INTEGRATED CIRCUIT

APPLICATION CIRCUIT

