

DATA SHEET

74ALVC162834A

18-bit registered driver with inverted register enable and 30 Ω termination resistors (3-State)

Product specification
Replaces datasheet 74ALVC162834 of 2000 Jan 03
IC24 Data Handbook

2000 Mar 14

18-bit registered driver with inverted register enable and 30Ω termination resistors (3-State)

74ALVC162834A

FEATURES

- Wide supply voltage range of 1.2 V to 3.6 V
- Complies with JEDEC standard no. 8-1A.
- CMOS low power consumption
- Direct interface with TTL levels
- Current drive ± 12 mA at 3.0 V
- MULTIBYTE™ flow-through standard pin-out architecture
- Low inductance multiple V_{CC} and GND pins for minimum noise and ground bounce
- Output drive capability 50 Ω transmission lines @ 85°C
- Integrated 30 Ω termination resistors
- Diode clamps to V_{CC} and GND on all inputs
- Input diodes to accommodate strong drivers

DESCRIPTION

The 74ALVC162834A is an 18-bit registered driver. Data flow is controlled by active low output enable (\overline{OE}), active low latch enable (\overline{LE}) and clock inputs (CP).

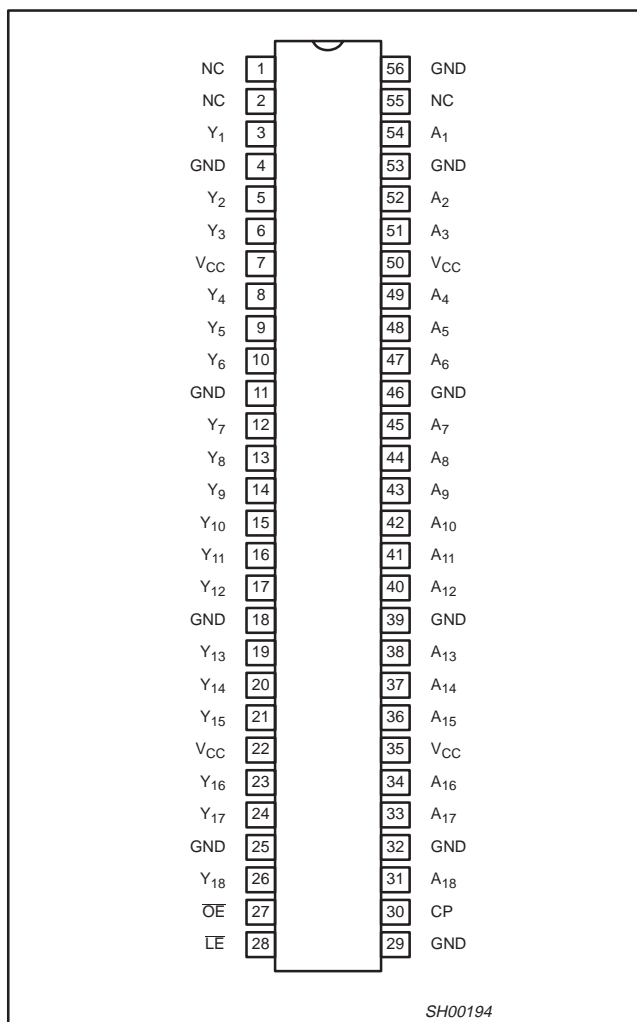
When \overline{LE} is LOW, the A to Y data flow is transparent. When \overline{LE} is HIGH and CP is held at LOW or HIGH, the data is latched; on the LOW to HIGH transient of CP the A-data is stored in the latch/flip-flop.

The 74ALVC162834A is designed with 30 Ω_{series} resistors in both HIGH or LOW output stages.

When \overline{OE} is LOW the outputs are active. When \overline{OE} is HIGH, the outputs go to the high impedance OFF-state. Operation of the \overline{OE} input does not affect the state of the latch/flip-flop.

To ensure the high-impedance state during power up or power down, \overline{OE} should be tied to V_{CC} through a pullup resistor; the minimum value of the resistor is determined by the current-sinking capability of the driver.

PIN CONFIGURATION



SH00194

QUICK REFERENCE DATA

GND = 0 V; $T_{amb} = 25^{\circ}C$; $t_r = t_f \leq 2.5$ ns

SYMBOL	PARAMETER	CONDITIONS	TYPICAL	UNIT	
t_{PHL}/t_{PLH}	Propagation delay An to Yn; LE to Yn; CP to Yn	$V_{CC} = 3.3$ V, $C_L = 50$ pF	2.9 3.5 3.3	ns	
F_{max}	Maximum clock frequency	$V_{CC} = 3.3$ V, $C_L = 50$ pF	240	MHz	
C_I	Input capacitance		4.0	pF	
$C_{I/O}$	Input/Output capacitance		8.0	pF	
C_{PD}	Power dissipation capacitance per buffer	$V_I = GND$ to V_{CC}^1	transparent mode Output enabled Output disabled	10 3	pF
			Clocked mode Output enabled Output disabled	21 15	

NOTES:

1. C_{PD} is used to determine the dynamic power dissipation (P_D in μW):
 $P_D = C_{PD} \times V_{CC}^2 \times f_i + \Sigma (C_L \times V_{CC}^2 \times f_o)$ where: f_i = input frequency in MHz; C_L = output load capacitance in pF;
 f_o = output frequency in MHz; V_{CC} = supply voltage in V; $\Sigma (C_L \times V_{CC}^2 \times f_o)$ = sum of outputs.

18-bit registered driver with inverted register enable and 30Ω termination resistors (3-State)

74ALVC162834A

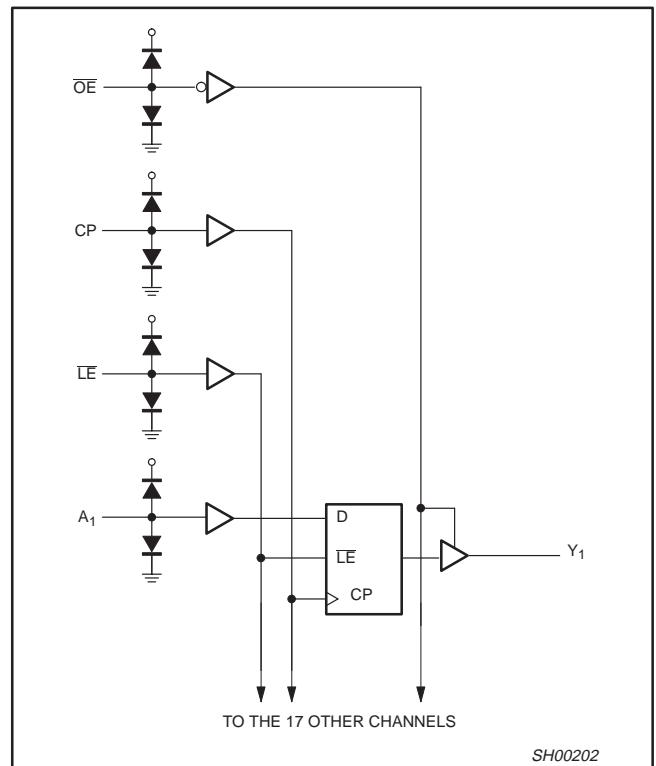
ORDERING INFORMATION

PACKAGES	TEMPERATURE RANGE	OUTSIDE NORTH AMERICA	NORTH AMERICA	DRAWING NUMBER
56-Pin Plastic Thin Shrink Small Outline (TSSOP) Type II	-40°C to +85°C	74ALVC162834A DGG	AC162834A DGG	SOT364-1

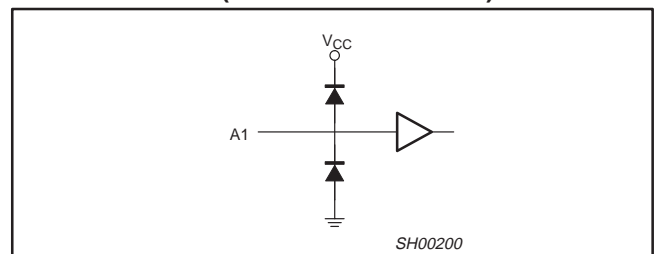
PIN DESCRIPTION

PIN NUMBER	SYMBOL	NAME AND FUNCTION
1, 2, 55	NC	No connection
3, 5, 6, 8, 9, 10, 12, 13, 14, 15, 16, 17, 19, 20, 21, 23, 24, 26	Y ₁ to Y ₁₈	Data outputs
4, 11, 18, 25, 32, 39, 46, 53, 56	GND	Ground (0V)
7, 22, 35, 50	V _{CC}	Positive supply voltage
27	\overline{OE}	Output enable input (active LOW)
28	\overline{LE}	Latch enable input (active LOW)
30	CP	Clock input
54, 52, 51, 49, 48, 47, 45, 44, 43, 42, 41, 40, 38, 37, 36, 34, 33, 31	A ₁ to A ₁₈	Data inputs

LOGIC SYMBOL



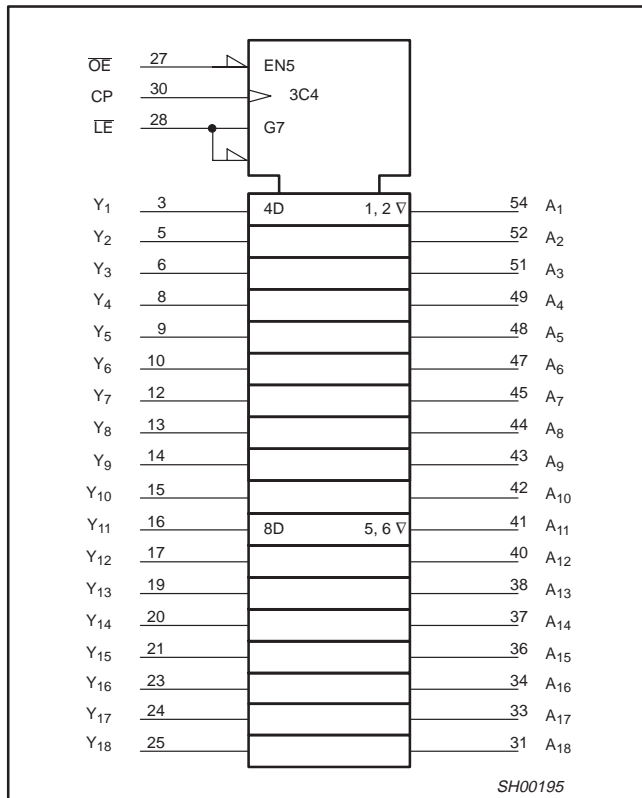
TYPICAL INPUT (DATA OR CONTROL)



18-bit registered driver with inverted register enable and 30Ω termination resistors (3-State)

74ALVC162834A

LOGIC SYMBOL (IEEE/IEC)



FUNCTION TABLE

INPUTS				OUTPUTS
OE	LE	CP	A	Y
H	X	X	X	Z
L	L	X	L	L
L	L	X	H	H
L	H	↑	L	L
L	H	↑	H	H
L	H	H	X	Y ₀ ¹
L	H	L	X	Y ₀ ²

- H = HIGH voltage level
- L = LOW voltage level
- X = Don't care
- Z = High impedance "off" state
- ↑ = LOW-to-HIGH level transition

NOTES:

1. Output level before the indicated steady-state input conditions were established, provided that CP is high before LE goes low.
2. Output level before the indicated steady-state input conditions were established.

18-bit registered driver with inverted register enable and 30Ω termination resistors (3-State)

74ALVC162834A

RECOMMENDED OPERATING CONDITIONS

SYMBOL	PARAMETER	CONDITIONS	MIN	MAX	UNIT
V _{CC}	DC supply voltage 2.5V range (for max. speed performance @ 30 pF output load)		2.3	2.7	V
	DC supply voltage 3.3V range (for max. speed performance @ 50 pF output load)		3.0	3.6	
	DC supply voltage (for low-voltage applications)		1.2	3.6	
V _I	DC Input voltage range		0	V _{CC}	V
V _O	DC output voltage range		0	V _{CC}	V
T _{amb}	Operating free-air temperature range		-40	+85	°C
t _r , t _f	Input rise and fall times	V _{CC} = 2.3 to 3.0V V _{CC} = 3.0 to 3.6V	0 0	20 10	ns/V

ABSOLUTE MAXIMUM RATINGS

In accordance with the Absolute Maximum Rating System (IEC 134).

Voltages are referenced to GND (ground = 0V).

SYMBOL	PARAMETER	CONDITIONS	RATING	UNIT
V _{CC}	DC supply voltage		-0.5 to +4.6	V
I _{IK}	DC input diode current	V _I < 0	-50	mA
V _I	DC input voltage	Note 1	-0.5 to +4.6	V
I _{OK}	DC output diode current	V _O > V _{CC} or V _O < 0	±50	mA
V _O	DC output voltage	Note 1	-0.5 to V _{CC} +0.5	V
I _O	DC output source or sink current	V _O = 0 to V _{CC}	±50	mA
I _{GND} , I _{CC}	DC V _{CC} or GND current		±100	mA
T _{stg}	Storage temperature range		-65 to +150	°C
P _{TOT}	Power dissipation per package -plastic medium-shrink (SSOP) -plastic thin-medium-shrink (TSSOP)	For temperature range: -40 to +125 °C above +55°C derate linearly with 11.3 mW/K above +55°C derate linearly with 8 mW/K	850 600	mW

NOTE:

- The input and output voltage ratings may be exceeded if the input and output current ratings are observed.

18-bit registered driver with inverted register enable and 30Ω termination resistors (3-State)

74ALVC162834A

DC ELECTRICAL CHARACTERISTICS

Over recommended operating conditions. Voltages are referenced to GND (ground = 0 V).

SYMBOL	PARAMETER	TEST CONDITIONS	LIMITS			UNIT
			Temp = -40°C to +85°C			
			MIN	TYP ¹	MAX	
V _{IH}	HIGH level Input voltage	V _{CC} = 2.3 to 2.7V	1.7	1.2		V
		V _{CC} = 2.7 to 3.6V	2.0	1.5		
V _{IL}	LOW level Input voltage	V _{CC} = 2.3 to 2.7V		1.2	0.7	V
		V _{CC} = 2.7 to 3.6V		1.5	0.8	
V _{OH}	HIGH level output voltage	V _{CC} = 2.3 to 3.6V; V _I = V _{IH} or V _{IL} ; I _O = -100μA	V _{CC} -0.2	V _{CC}		V
		V _{CC} = 2.3V; V _I = V _{IH} or V _{IL} ; I _O = -4mA	V _{CC} -0.4	V _{CC} -0.11		
		V _{CC} = 2.3V; V _I = V _{IH} or V _{IL} ; I _O = -6mA	V _{CC} -0.6	V _{CC} -0.17		
		V _{CC} = 2.7V; V _I = V _{IH} or V _{IL} ; I _O = -4mA	V _{CC} -0.5	V _{CC} -0.09		
		V _{CC} = 2.7V; V _I = V _{IH} or V _{IL} ; I _O = -8mA	V _{CC} -0.7	V _{CC} -0.19		
		V _{CC} = 3.0V; V _I = V _{IH} or V _{IL} ; I _O = -6mA	V _{CC} -0.6	V _{CC} -0.13		
		V _{CC} = 3.0V; V _I = V _{IH} or V _{IL} ; I _O = -12mA	V _{CC} -1.0	V _{CC} -0.27		
V _{OL}	LOW level output voltage	V _{CC} = 2.3 to 3.6V; V _I = V _{IH} or V _{IL} ; I _O = 100μA		GND	0.20	V
		V _{CC} = 2.3V; V _I = V _{IH} or V _{IL} ; I _O = 4mA		0.07	0.40	
		V _{CC} = 2.3V; V _I = V _{IH} or V _{IL} ; I _O = 6mA		0.11	0.55	
		V _{CC} = 2.7V; V _I = V _{IH} or V _{IL} ; I _O = 4mA		0.06	0.40	
		V _{CC} = 2.7V; V _I = V _{IH} or V _{IL} ; I _O = 8mA		0.13	0.60	
		V _{CC} = 3.0V; V _I = V _{IH} or V _{IL} ; I _O = 6mA		0.09	0.55	
		V _{CC} = 3.0V; V _I = V _{IH} or V _{IL} ; I _O = 12mA		0.19	0.80	
I _I	Input leakage current	V _{CC} = 2.3 to 3.6V; V _I = V _{CC} or GND		0.1	5	μA
I _{OZ}	3-State output OFF-state current	V _{CC} = 2.3 to 3.6V; V _I = V _{IH} or V _{IL} ; V _O = V _{CC} or GND		0.1	10	μA
I _{CC}	Quiescent supply current	V _{CC} = 2.3 to 3.6V; V _I = V _{CC} or GND; I _O = 0		0.2	40	μA
ΔI _{CC}	Additional quiescent supply current	V _{CC} = 2.3V to 3.6V; V _I = V _{CC} - 0.6V; I _O = 0		150	750	μA

NOTE:

1. All typical values are at T_{amb} = 25°C.

18-bit registered driver with inverted register enable and 30Ω termination resistors (3-State)

74ALVC162834A

AC CHARACTERISTICS FOR $V_{CC} = 2.3V$ TO $2.7V$ RANGE

GND = 0 V; $t_r = t_f \leq 2.0$ ns; $C_L = 30$ pF

SYMBOL	PARAMETER	WAVEFORM	LIMITS			UNIT
			$V_{CC} = 2.3$ to 2.7 V			
			MIN	TYP ¹	MAX	
t_{PHL}/t_{PLH}	Propagation delay An to Yn	1, 7	1.0	3.5	5.2	ns
	Propagation delay \overline{LE} to Yn	2, 7	1.3	4.1	6.0	
	Propagation delay CP to Yn	4, 7	1.4	4.0	6.8	
t_{PZH}/t_{PZL}	3-State output enable time \overline{OE} to Yn	6, 7	1.4	3.8	6.3	ns
t_{PHZ}/t_{PLZ}	3-State output disable time \overline{OE} to Yn	6, 7	1.0	2.6	4.4	ns
t_w	CP pulse width HIGH or LOW	4, 7	3.3	1.0	–	ns
	\overline{LE} pulse width HIGH	2, 7	3.3	0.7	–	
t_{SU}	Set-up time An to CP	5, 7	0.3	–0.2	–	ns
	Set-up time An to \overline{LE}	3, 7	0.5	0	–	
t_h	Hold time An to CP	5, 7	1.0	0.4	–	ns
	Hold time An to \overline{LE}	3, 7	0.5	0.1	–	
f_{max}	Maximum clock pulse frequency	4, 7	150	190	–	MHz

NOTE:1. All typical values are at $V_{CC} = 2.5V$ and $T_{amb} = 25^\circ C$.

AC CHARACTERISTICS FOR $V_{CC} = 3.0V$ TO $3.6V$ RANGE AND $V_{CC} = 2.7V$

GND = 0 V; $t_r = t_f \leq 2.5$ ns; $C_L = 50$ pF

SYMBOL	PARAMETER	WAVEFORM	LIMITS			LIMITS			UNIT
			$V_{CC} = 3.3 \pm 0.3$ V			$V_{CC} = 2.7$ V			
			MIN	TYP ^{1, 2}	MAX	MIN	TYP ¹	MAX	
t_{PHL}/t_{PLH}	Propagation delay An to Yn	1, 7	1.0	2.9	4.2	–	3.3	5.0	ns
	Propagation delay \overline{LE} to Yn	2, 7	1.3	3.4	5.8	–	3.8	6.8	
	Propagation delay CP to Yn	4, 7	1.4	3.3	5.4	–	3.7	6.1	
t_{PZH}/t_{PZL}	3-State output enable time \overline{OE} to Yn	6, 7	1.5	2.4	5.9	–	4.0	6.5	ns
t_{PHZ}/t_{PLZ}	3-State output disable time \overline{OE} to Yn	6, 7	1.8	3.0	5.0	–	3.2	5.2	ns
t_w	CP pulse width HIGH or LOW	4, 7	3.3	0.7	–	3.3	1.2	–	ns
	\overline{LE} pulse width LOW	2, 7	3.3	0.6	–	3.3	0.6	–	
t_{SU}	Set-up time An to CP	5, 7	0.3	–0.2	–	0.3	–0.2	–	ns
	Set-up time An to \overline{LE}	3, 7	0.5	0	–	0.5	0	–	
t_h	Hold time An to CP	5, 7	0.9	0.7	–	1.2	0.4	–	ns
	Hold time An to \overline{LE}	3, 7	1.0	0.4	–	1.0	0.1	–	
f_{max}	Maximum clock pulse frequency	4, 7	150	240	–	150	190	–	MHz

NOTES:1. All typical values are measured $T_{amb} = 25^\circ C$.2. Typical value is measured at $V_{CC} = 3.3$ V.

18-bit registered driver with inverted register enable and 30Ω termination resistors (3-State)

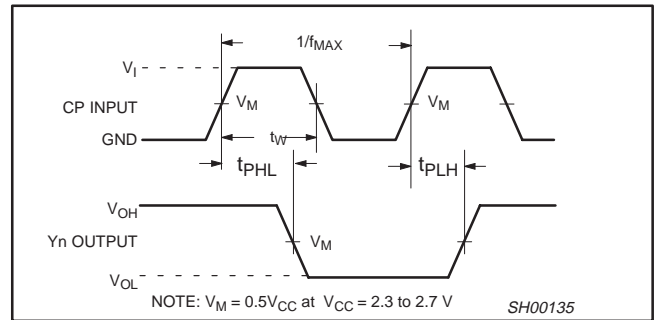
74ALVC162834A

AC WAVEFORMS FOR $V_{CC} = 3.0\text{ V TO } 3.6\text{ V AND } V_{CC} = 2.7\text{ V}$

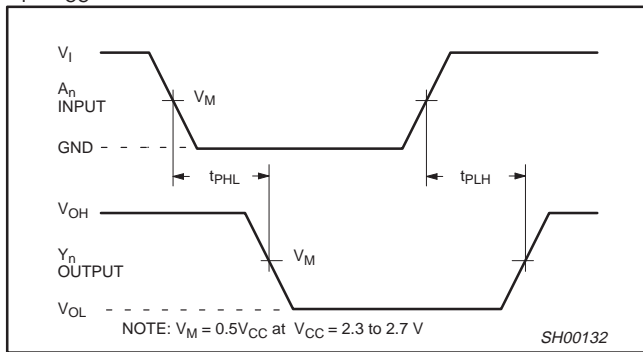
$V_M = 1.5\text{ V}$
 $V_X = V_{OL} + 0.3\text{ V}$
 $V_Y = V_{OH} - 0.3\text{ V}$
 V_{OL} and V_{OH} are the typical output voltage drop that occur with the output load.
 $V_I = 2.7\text{ V}$

AC WAVEFORMS FOR $V_{CC} = 2.3\text{ V TO } 2.7\text{ V AND } V_{CC} < 2.3\text{ V RANGE}$

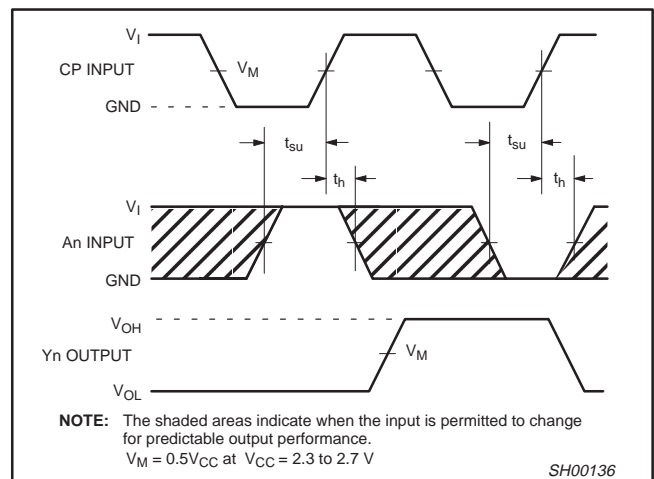
$V_M = 0.5 V_{CC}$
 $V_X = V_{OL} + 0.15\text{ V}$
 $V_Y = V_{OH} - 0.15\text{ V}$
 V_{OL} and V_{OH} are the typical output voltage drop that occur with the output load.
 $V_I = V_{CC}$



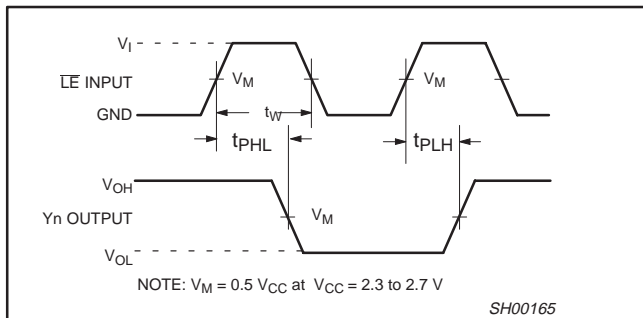
Waveform 4. The clock (CP) to Yn propagation delays, the clock pulse width and the maximum clock frequency.



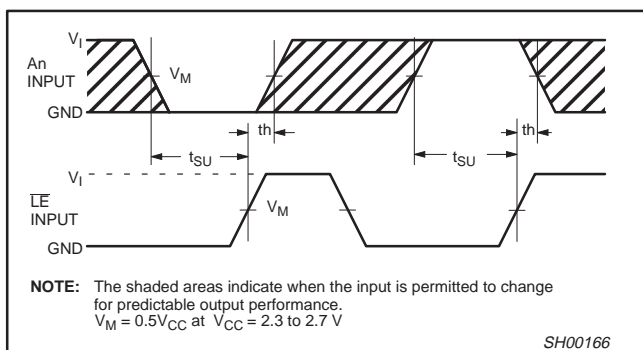
Waveform 1. Input (An) to output (Yn) propagation delay



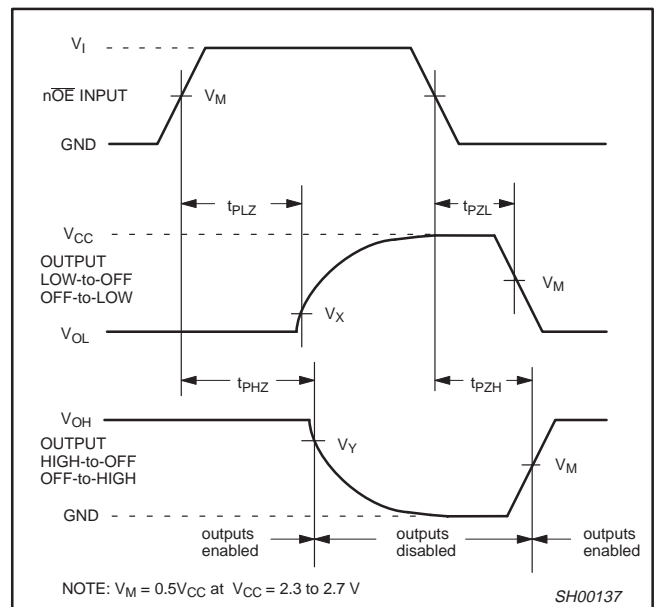
Waveform 5. Data set-up and hold times for the An input to the clock CP input



Waveform 2. Latch enable input (LE) pulse width, the latch enable input to output (Yn) propagation delays.



Waveform 3. Data set-up and hold times for the An input to the LE input

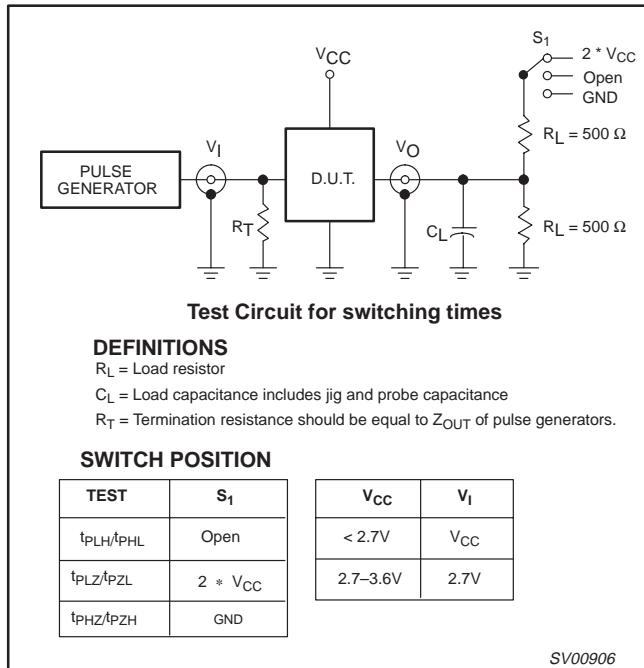


Waveform 6. 3-State enable and disable times

18-bit registered driver with inverted register enable and 30Ω termination resistors (3-State)

74ALVC162834A

TEST CIRCUIT



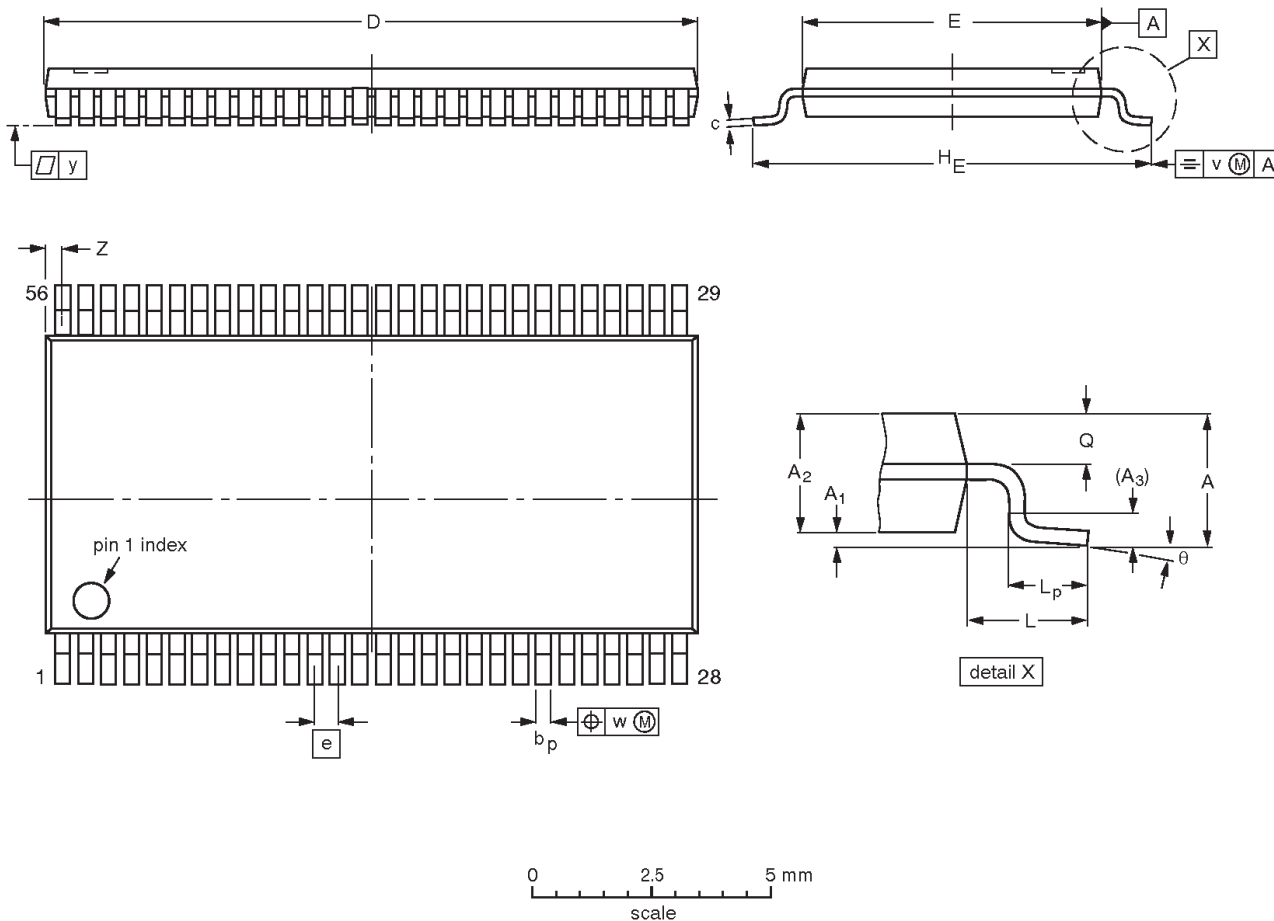
Waveform 7. Load circuitry for switching times

18-bit registered driver with inverted register enable
and 30Ω termination resistors (3-State)

74ALVC162834A

TSSOP56: plastic thin shrink small outline package; 56 leads; body width 6.1 mm

SOT364-1



DIMENSIONS (mm are the original dimensions).

UNIT	A max.	A ₁	A ₂	A ₃	b _p	c	D ⁽¹⁾	E ⁽²⁾	e	H _E	L	L _p	Q	v	w	y	Z	θ
mm	1.2	0.15 0.05	1.05 0.85	0.25	0.28 0.17	0.2 0.1	14.1 13.9	6.2 6.0	0.5	8.3 7.9	1.0	0.8 0.4	0.50 0.35	0.25	0.08	0.1	0.5 0.1	8° 0°

Notes

1. Plastic or metal protrusions of 0.15 mm maximum per side are not included.
2. Plastic interlead protrusions of 0.25 mm maximum per side are not included.

OUTLINE VERSION	REFERENCES				EUROPEAN PROJECTION	ISSUE DATE
	IEC	JEDEC	EIAJ			
SOT364-1		MO-153				95-02-10 99-12-27

18-bit registered driver with inverted register enable
and 30Ω termination resistors (3-State)

74ALVC162834A

NOTES

18-bit registered driver with inverted register enable and 30Ω termination resistors (3-State)

74ALVC162834A

Data sheet status

Data sheet status	Product status	Definition [1]
Objective specification	Development	This data sheet contains the design target or goal specifications for product development. Specification may change in any manner without notice.
Preliminary specification	Qualification	This data sheet contains preliminary data, and supplementary data will be published at a later date. Philips Semiconductors reserves the right to make changes at any time without notice in order to improve design and supply the best possible product.
Product specification	Production	This data sheet contains final specifications. Philips Semiconductors reserves the right to make changes at any time without notice in order to improve design and supply the best possible product.

[1] Please consult the most recently issued datasheet before initiating or completing a design.

Definitions

Short-form specification — The data in a short-form specification is extracted from a full data sheet with the same type number and title. For detailed information see the relevant data sheet or data handbook.

Limiting values definition — Limiting values given are in accordance with the Absolute Maximum Rating System (IEC 134). Stress above one or more of the limiting values may cause permanent damage to the device. These are stress ratings only and operation of the device at these or at any other conditions above those given in the Characteristics sections of the specification is not implied. Exposure to limiting values for extended periods may affect device reliability.

Application information — Applications that are described herein for any of these products are for illustrative purposes only. Philips Semiconductors make no representation or warranty that such applications will be suitable for the specified use without further testing or modification.

Disclaimers

Life support — These products are not designed for use in life support appliances, devices or systems where malfunction of these products can reasonably be expected to result in personal injury. Philips Semiconductors customers using or selling these products for use in such applications do so at their own risk and agree to fully indemnify Philips Semiconductors for any damages resulting from such application.

Right to make changes — Philips Semiconductors reserves the right to make changes, without notice, in the products, including circuits, standard cells, and/or software, described or contained herein in order to improve design and/or performance. Philips Semiconductors assumes no responsibility or liability for the use of any of these products, conveys no license or title under any patent, copyright, or mask work right to these products, and makes no representations or warranties that these products are free from patent, copyright, or mask work right infringement, unless otherwise specified.

Philips Semiconductors
811 East Arques Avenue
P.O. Box 3409
Sunnyvale, California 94088-3409
Telephone 800-234-7381

© Copyright Philips Electronics North America Corporation 2000
All rights reserved. Printed in U.S.A.

Date of release: 02-00

Document order number:

9397-750-06958

Let's make things better.