

DATA SHEET

NE/SA/SE5532/5532A

Internally-compensated dual low noise
operational amplifier

Product data
Supersedes data of 1997 Sep 29

2001 Aug 03

Internally-compensated dual low noise operational amplifier

NE/SA/SE5532/5532A

DESCRIPTION

The 5532 is a dual high-performance low noise operational amplifier. Compared to most of the standard operational amplifiers, such as the 1458, it shows better noise performance, improved output drive capability and considerably higher small-signal and power bandwidths.

This makes the device especially suitable for application in high-quality and professional audio equipment, instrumentation and control circuits, and telephone channel amplifiers. The op amp is internally compensated for gains equal to one. If very low noise is of prime importance, it is recommended that the 5532A version be used because it has guaranteed noise voltage specifications.

FEATURES

- Small-signal bandwidth: 10 MHz
- Output drive capability: 600 Ω, 10 V_{RMS}
- Input noise voltage: 5 nV/√Hz (typical)
- DC voltage gain: 50000
- AC voltage gain: 2200 at 10 kHz
- Power bandwidth: 140 kHz
- Slew rate: 9 V/μs
- Large supply voltage range: ±3 to ±20 V
- Compensated for unity gain

PIN CONFIGURATIONS

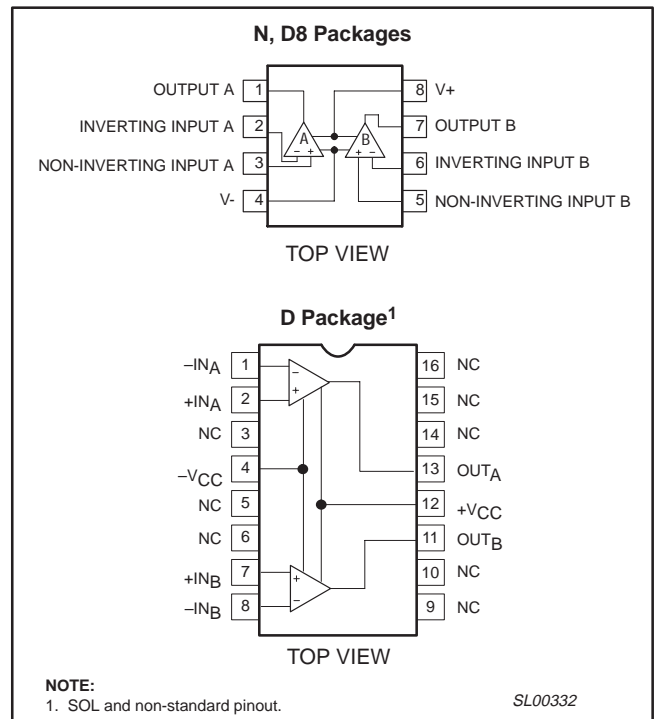


Figure 1. Pin Configurations

ORDERING INFORMATION

DESCRIPTION	TEMPERATURE RANGE	ORDER CODE	DWG #
8-Pin Small Outline Package (SO)	0 °C to 70 °C	NE5532AD8	SOT96-1
8-Pin Plastic Dual In-Line Package (DIP)	0 °C to 70 °C	NE5532AN	SOT97-1
16-Pin Plastic Small Outline Large (SOL) Package	0 °C to 70 °C	NE5532D	SOT162-1
8-Pin Small Outline Package (SO)	0 °C to 70 °C	NE5532D8	SOT96-1
8-Pin Plastic Dual In-Line Package (DIP)	0 °C to 70 °C	NE5532N	SOT97-1
8-Pin Plastic Dual In-Line Package (DIP)	-40 °C to +85 °C	SA5532N	SOT97-1
8-Pin Small Outline Package (SO)	-55 °C to +125 °C	SE5532AD8	SOT96-1
16-Pin Plastic Dual In-Line Package (DIP)	-55 °C to +125 °C	SE5532N	SOT38-4

Internally-compensated dual low noise operational amplifier

NE/SA/SE5532/5532A

EQUIVALENT SCHEMATIC (EACH AMPLIFIER)

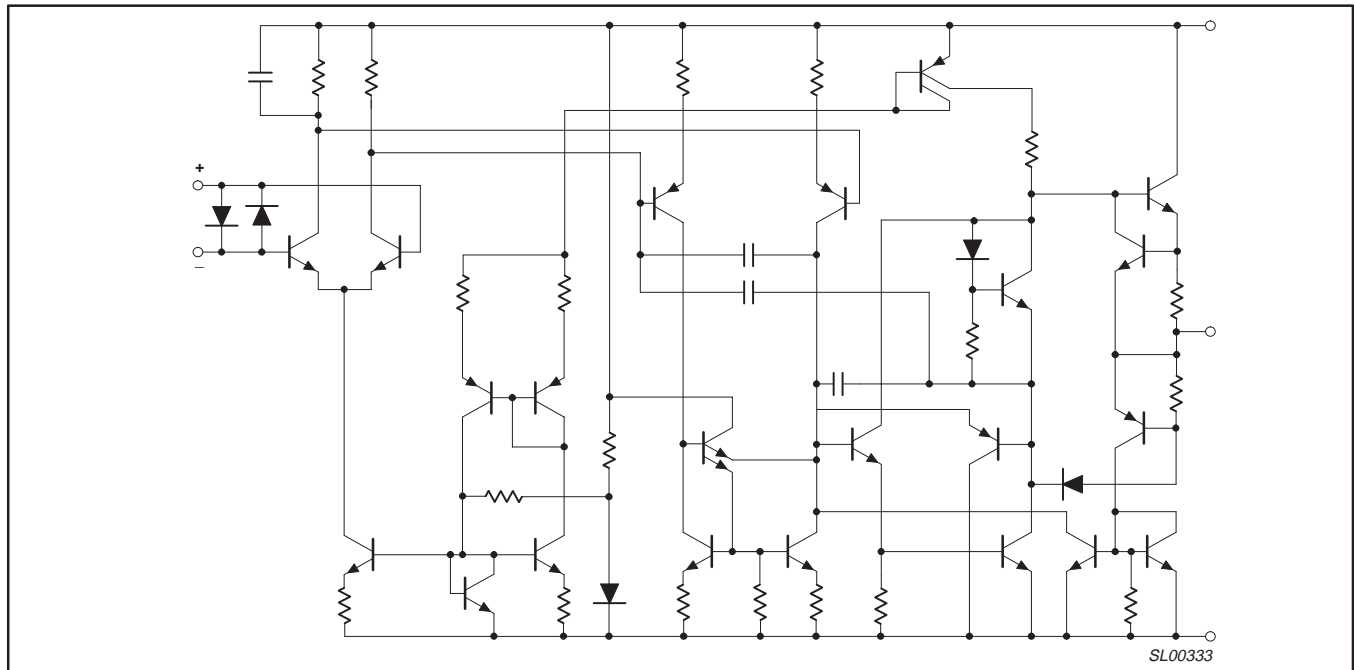


Figure 2. Equivalent Schematic (Each Amplifier)

ABSOLUTE MAXIMUM RATINGS

SYMBOL	PARAMETER	RATING	UNIT
V_S	Supply voltage	± 22	V
V_{IN}	Input voltage	$\pm V_{SUPPLY}$	V
V_{DIFF}	Differential input voltage ¹	± 0.5	V
T_{amb}	Operating temperature range NE5532/A SA5532 SE5532/A	0 to 70 -40 to +85 -55 to +125	$^{\circ}C$
T_{stg}	Storage temperature	-65 to +150	$^{\circ}C$
T_j	Junction temperature	150	$^{\circ}C$
P_D	Maximum power dissipation, $T_{amb} = 25^{\circ}C$ (still-air) ² 8 D8 package 8 N package 16 D package	780 1200 1200	mW
T_{sld}	Lead soldering temperature (10 sec max)	230	$^{\circ}C$

NOTES:

- Diodes protect the inputs against over-voltage. Therefore, unless current-limiting resistors are used, large currents will flow if the differential input voltage exceeds 0.6V. Maximum current should be limited to ± 10 mA.
- Thermal resistances of the above packages are as follows:
N package at $100^{\circ}C/W$
D package at $105^{\circ}C/W$
D8 package at $160^{\circ}C/W$

Internally-compensated dual low noise operational amplifier

NE/SA/SE5532/5532A

DC ELECTRICAL CHARACTERISTICS

 $T_{amb} = 25\text{ }^{\circ}\text{C}$; $V_S = \pm 15\text{ V}$, unless otherwise specified. 1, 2, 3

SYMBOL	PARAMETER	TEST CONDITIONS	SE5532/A			NE5532/A, SA5532			UNIT
			Min	Typ	Max	Min	Typ	Max	
V_{OS}	Offset voltage	Over temperature		0.5	2		0.5	4	mV
$\Delta V_{OS}/\Delta T$				5	3		5	5	mV $\mu\text{V}/^{\circ}\text{C}$
I_{OS}	Offset current	Over temperature			100		10	150	nA
$\Delta I_{OS}/\Delta T$				200	200		200	200	nA $\text{pA}/^{\circ}\text{C}$
I_B	Input current	Over temperature		200	400		200	800	nA
$\Delta I_B/\Delta T$				5	700		5	1000	nA $\text{nA}/^{\circ}\text{C}$
I_{CC}	Supply current	Over temperature		8	10.5		8	16	mA
					13				mA
V_{CM}	Common-mode input range		± 12	± 13		± 12	± 13		V
CMRR	Common-mode rejection ratio		80	100		70	100		dB
PSRR	Power supply rejection ratio			10	50		10	100	$\mu\text{V}/\text{V}$
A_{VOL}	Large-signal voltage gain	$R_L \geq 2\text{ k}\Omega$; $V_O = \pm 10\text{ V}$	50	100		25	100		V/mV
		Over temperature	25			15			V/mV
		$R_L \geq 600\ \Omega$; $V_O = \pm 10\text{ V}$	40	50		15	50		V/mV
		Over temperature	20			10			V/mV
V_{OUT}	Output swing	$R_L \geq 600\ \Omega$	± 12	± 13		± 12	± 13		V
		Over temperature	± 10	± 12		± 10	± 12		
		$R_L \geq 600\ \Omega$; $V_S = \pm 18\text{ V}$	± 15	± 16		± 15	± 16		
		Over temperature	± 12	± 14		± 12	± 14		
		$R_L \geq 2\text{ k}\Omega$	± 13	± 13.5		± 13	± 13.5		
		Over temperature	± 12	± 12.5		± 10	± 12.5		
R_{IN}	Input resistance		30	300		30	300		k Ω
I_{SC}	Output short circuit current		10	38	60	10	38	60	mA

NOTES:

- Diodes protect the inputs against overvoltage. Therefore, unless current-limiting resistors are used, large currents will flow if the differential input voltage exceeds 0.6 V. Maximum current should be limited to $\pm 10\text{ mA}$.
- For operation at elevated temperature, derate packages based on the package thermal resistance.
- Output may be shorted to ground at $V_S = \pm 15\text{ V}$, $T_{amb} = 25\text{ }^{\circ}\text{C}$. Temperature and/or supply voltages must be limited to ensure dissipation rating is not exceeded.

AC ELECTRICAL CHARACTERISTICS

 $T_{amb} = 25\text{ }^{\circ}\text{C}$; $V_S = \pm 15\text{ V}$, unless otherwise specified.

SYMBOL	PARAMETER	TEST CONDITIONS	NE/SE5532/A, SA5532			UNIT
			Min	Typ	Max	
R_{OUT}	Output resistance	$A_V = 30\text{ dB}$ Closed-loop $f = 10\text{ kHz}$, $R_L = 600\ \Omega$		0.3		Ω
	Overshoot	Voltage-follower $V_{IN} = 100\text{ mV}_{P-P}$ $C_L = 100\text{ pF}$; $R_L = 600\ \Omega$		10		%
A_V	Gain	$f = 10\text{ kHz}$		2.2		V/mV
GBW	Gain bandwidth product	$C_L = 100\text{ pF}$; $R_L = 600\ \Omega$		10		MHz
SR	Slew rate			9		V/ μs
	Power bandwidth	$V_{OUT} = \pm 10\text{ V}$		140		kHz
		$V_{OUT} = \pm 14\text{ V}$; $R_L = 600\ \Omega$, $V_{CC} = \pm 18\text{ V}$		100		kHz

Internally-compensated dual low noise operational amplifier

NE/SA/SE5532/5532A

ELECTRICAL CHARACTERISTICS

$T_{amb} = 25\text{ }^{\circ}\text{C}$; $V_S = \pm 15\text{ V}$, unless otherwise specified.

SYMBOL	PARAMETER	TEST CONDITIONS	NE/SE5532			NE/SA/SE5532A			UNIT
			Min	Typ	Max	Min	Typ	Max	
V_{NOISE}	Input noise voltage	$f_O = 30\text{ Hz}$ $f_O = 1\text{ kHz}$		8			8	12	$\text{nV}/\sqrt{\text{Hz}}$
				5			5	6	$\text{nV}/\sqrt{\text{Hz}}$
I_{NOISE}	Input noise current	$f_O = 30\text{ Hz}$ $f_O = 1\text{ kHz}$		2.7			2.7		$\text{pA}/\sqrt{\text{Hz}}$
				0.7			0.7		$\text{pA}/\sqrt{\text{Hz}}$
	Channel separation	$f = 1\text{ kHz}$; $R_S = 5\text{ k}\Omega$		110			110		dB

TYPICAL PERFORMANCE CHARACTERISTICS

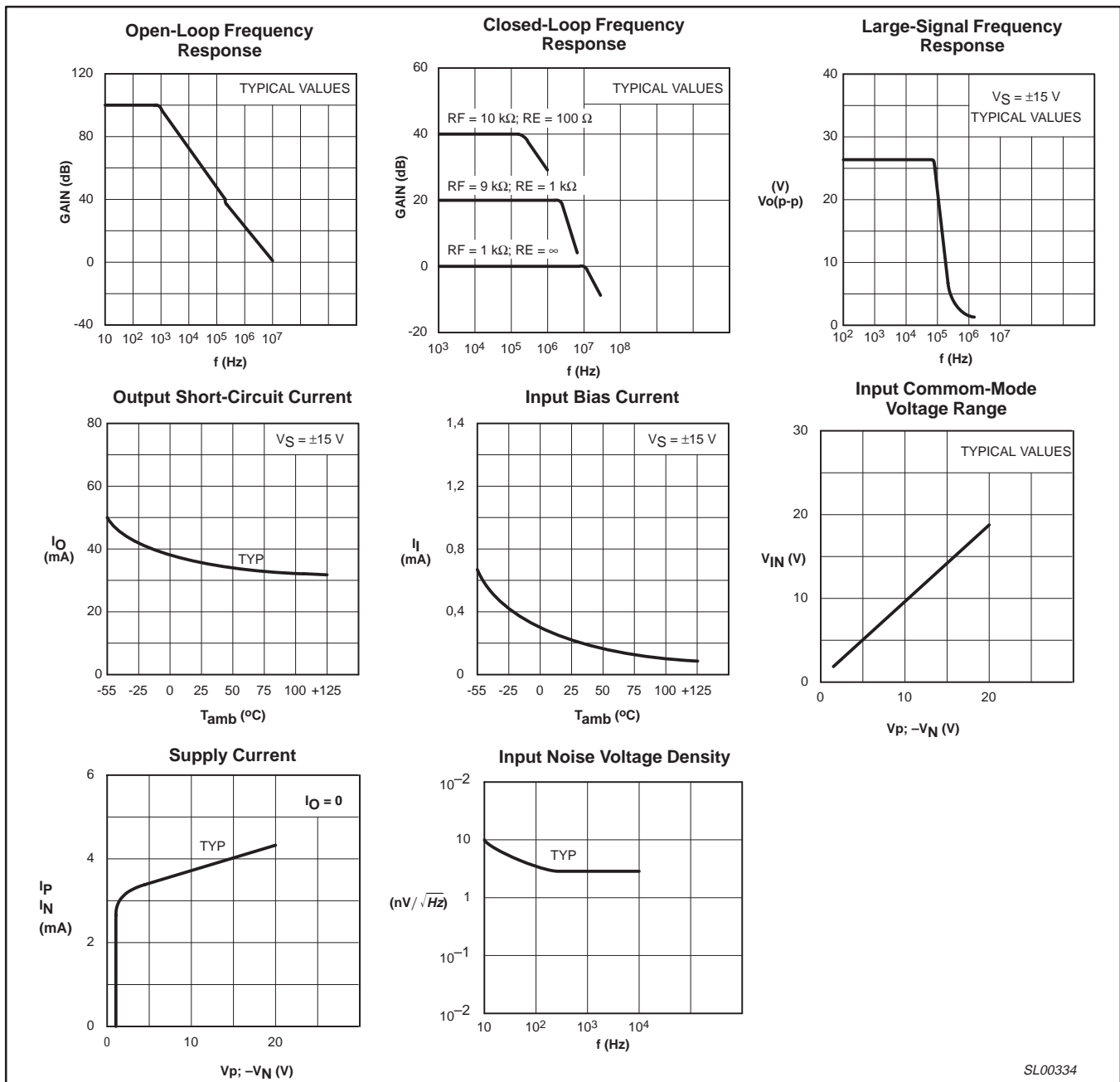


Figure 3. Typical Performance Characteristics

Internally-compensated dual low noise operational amplifier

NE/SA/SE5532/5532A

TEST CIRCUITS

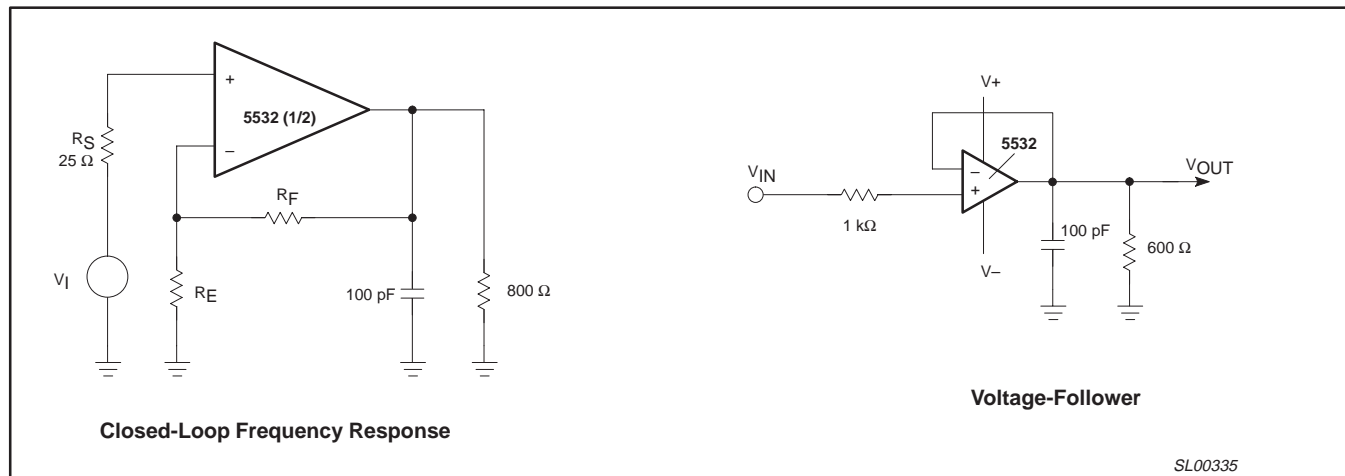


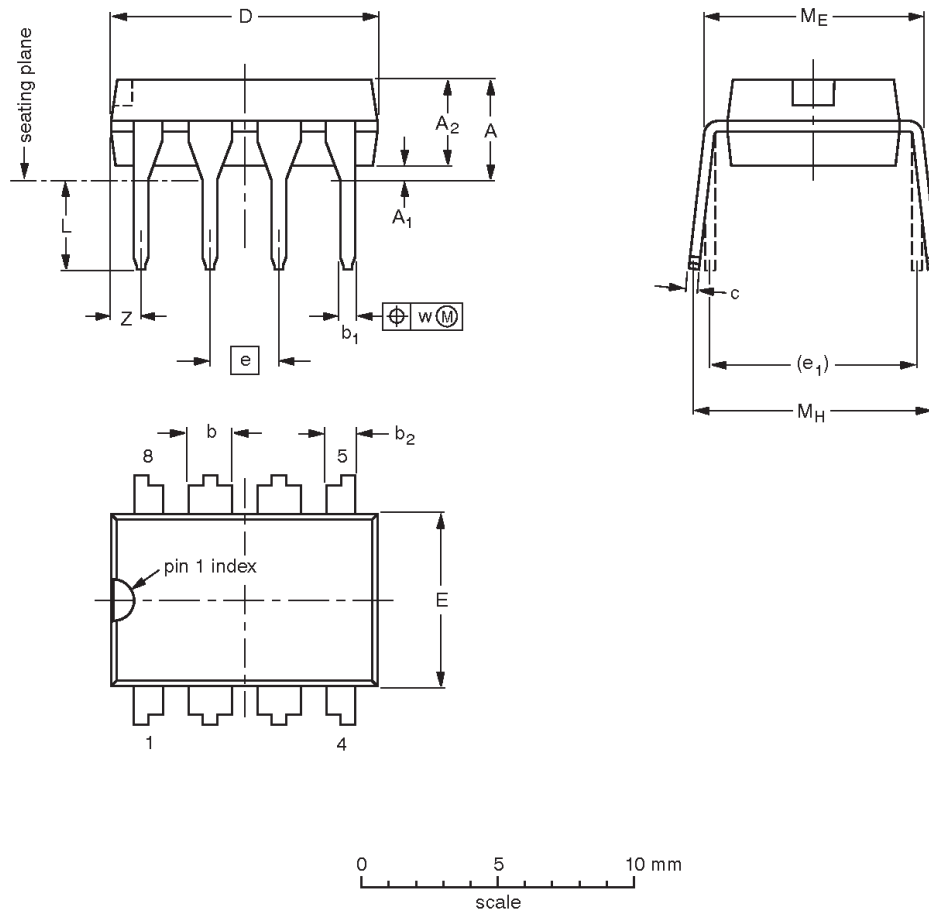
Figure 4. Test Circuits

Internally-compensated dual low noise operational amplifier

NE/SA/SE5532/5532A

DIP8: plastic dual in-line package; 8 leads (300 mil)

SOT97-1



DIMENSIONS (inch dimensions are derived from the original mm dimensions)

UNIT	A max.	A ₁ min.	A ₂ max.	b	b ₁	b ₂	c	D ⁽¹⁾	E ⁽¹⁾	e	e ₁	L	M _E	M _H	w	Z ⁽¹⁾ max.
mm	4.2	0.51	3.2	1.73 1.14	0.53 0.38	1.07 0.89	0.36 0.23	9.8 9.2	6.48 6.20	2.54	7.62	3.60 3.05	8.25 7.80	10.0 8.3	0.254	1.15
inches	0.17	0.020	0.13	0.068 0.045	0.021 0.015	0.042 0.035	0.014 0.009	0.39 0.36	0.26 0.24	0.10	0.30	0.14 0.12	0.32 0.31	0.39 0.33	0.01	0.045

Note

1. Plastic or metal protrusions of 0.25 mm maximum per side are not included.

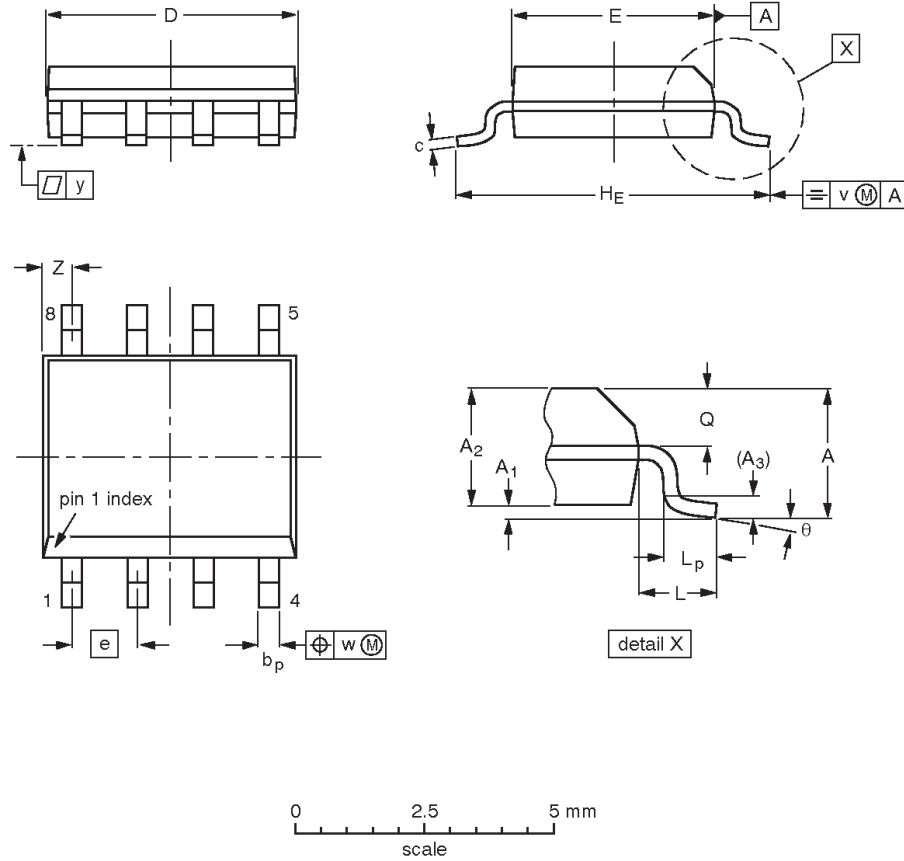
OUTLINE VERSION	REFERENCES				EUROPEAN PROJECTION	ISSUE DATE
	IEC	JEDEC	EIAJ			
SOT97-1	050G01	MO-001	SC-504-8			95-02-04 99-12-27

Internally-compensated dual low noise operational amplifier

NE/SA/SE5532/5532A

S08: plastic small outline package; 8 leads; body width 3.9 mm

SOT96-1



DIMENSIONS (inch dimensions are derived from the original mm dimensions)

UNIT	A max.	A ₁	A ₂	A ₃	b _p	c	D ⁽¹⁾	E ⁽²⁾	e	HE	L	L _p	Q	v	w	y	Z ⁽¹⁾	θ
mm	1.75	0.25 0.10	1.45 1.25	0.25	0.49 0.36	0.25 0.19	5.0 4.8	4.0 3.8	1.27	6.2 5.8	1.05	1.0 0.4	0.7 0.6	0.25	0.25	0.1	0.7 0.3	8° 0°
inches	0.069	0.010 0.004	0.057 0.049	0.01	0.019 0.014	0.0100 0.0075	0.20 0.19	0.16 0.15	0.050	0.244 0.228	0.041	0.039 0.016	0.028 0.024	0.01	0.01	0.004	0.028 0.012	

Notes

1. Plastic or metal protrusions of 0.15 mm maximum per side are not included.
2. Plastic or metal protrusions of 0.25 mm maximum per side are not included.

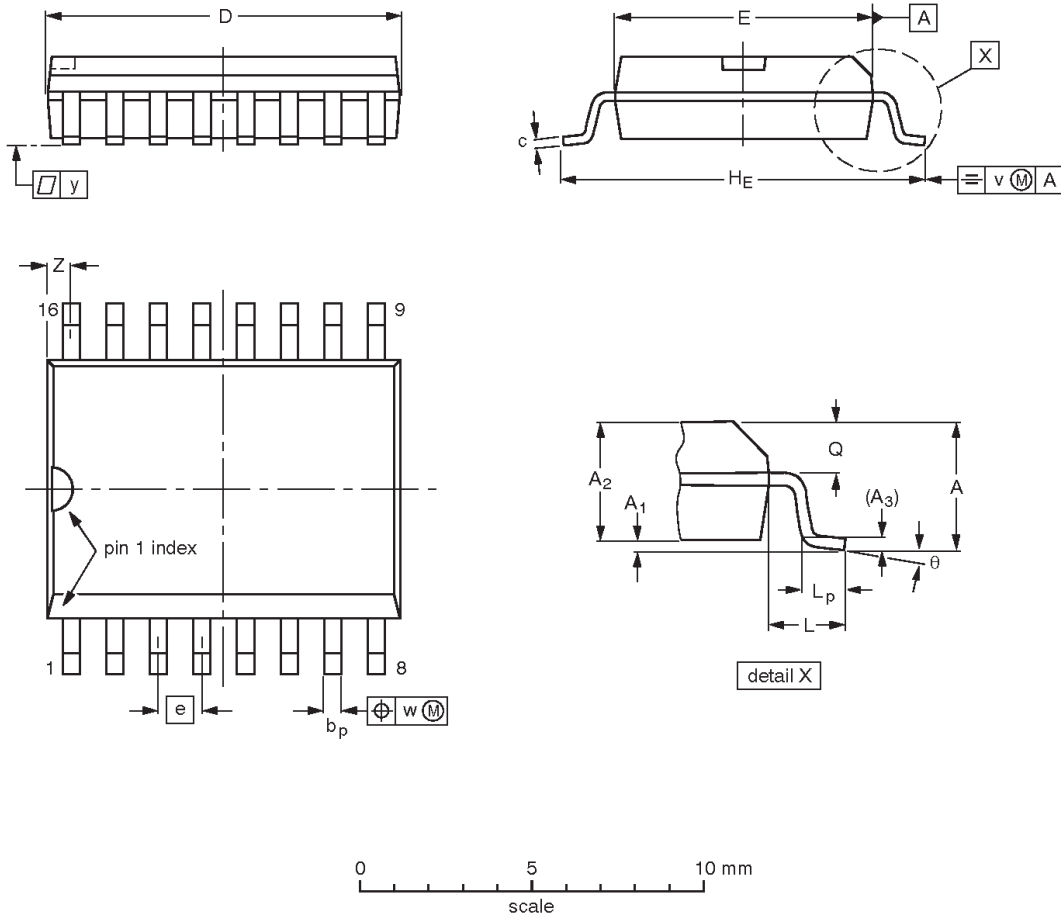
OUTLINE VERSION	REFERENCES				EUROPEAN PROJECTION	ISSUE DATE
	IEC	JEDEC	EIAJ			
SOT96-1	076E03	MS-012				97-05-22 99-12-27

Internally-compensated dual low noise operational amplifier

NE/SA/SE5532/5532A

SO16: plastic small outline package; 16 leads; body width 7.5 mm

SOT162-1



DIMENSIONS (inch dimensions are derived from the original mm dimensions)

UNIT	A max.	A ₁	A ₂	A ₃	b _p	c	D ⁽¹⁾	E ⁽¹⁾	e	H _E	L	L _p	Q	v	w	y	z ⁽¹⁾	θ
mm	2.65	0.30 0.10	2.45 2.25	0.25	0.49 0.36	0.32 0.23	10.5 10.1	7.6 7.4	1.27	10.65 10.00	1.4	1.1 0.4	1.1 1.0	0.25	0.25	0.1	0.9 0.4	8° 0°
inches	0.10	0.012 0.004	0.096 0.089	0.01	0.019 0.014	0.013 0.009	0.41 0.40	0.30 0.29	0.050	0.419 0.394	0.055	0.043 0.016	0.043 0.039	0.01	0.01	0.004	0.035 0.016	

Note

1. Plastic or metal protrusions of 0.15 mm maximum per side are not included.

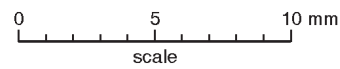
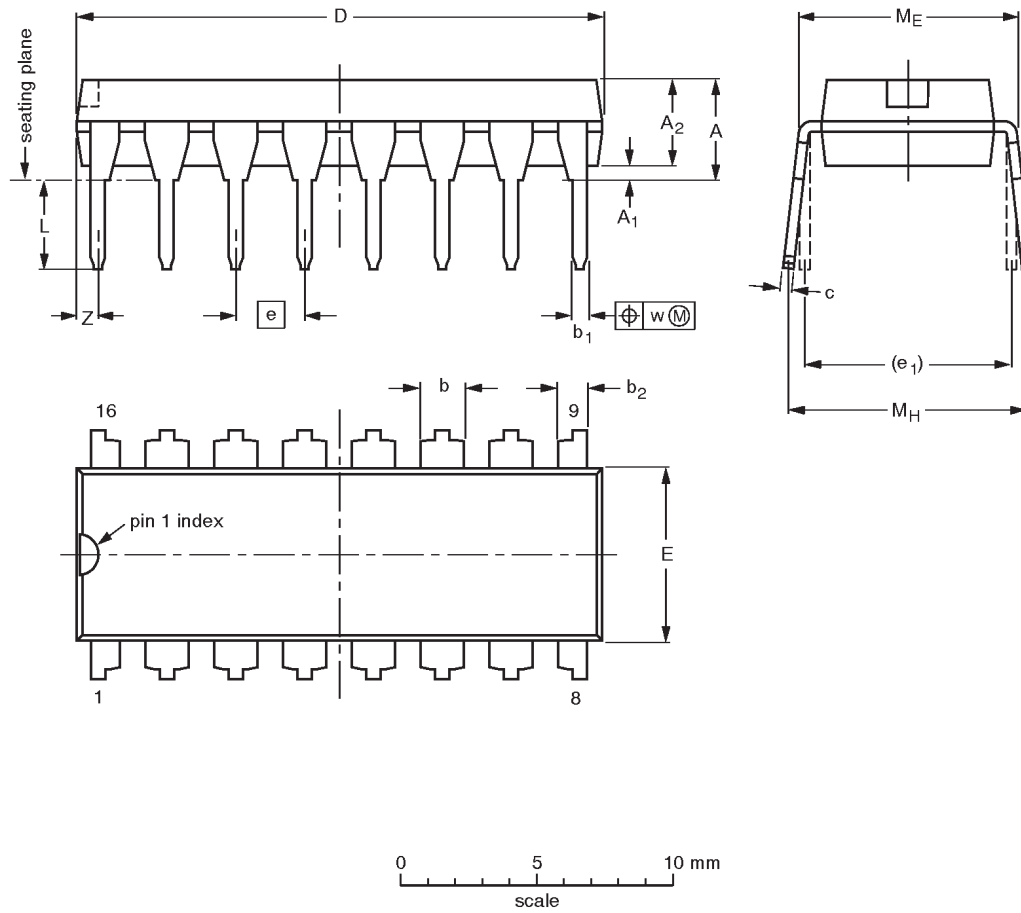
OUTLINE VERSION	REFERENCES				EUROPEAN PROJECTION	ISSUE DATE
	IEC	JEDEC	EIAJ			
SOT162-1	075E03	MS-013				-97-05-22 99-12-27

Internally-compensated dual low noise operational amplifier

NE/SA/SE5532/5532A

DIP16: plastic dual in-line package; 16 leads (300 mil)

SOT38-4



DIMENSIONS (inch dimensions are derived from the original mm dimensions)

UNIT	A max.	A ₁ min.	A ₂ max.	b	b ₁	b ₂	c	D ⁽¹⁾	E ⁽¹⁾	e	e ₁	L	M _E	M _H	w	z ⁽¹⁾ max.
mm	4.2	0.51	3.2	1.73 1.30	0.53 0.38	1.25 0.85	0.36 0.23	19.50 18.55	6.48 6.20	2.54	7.62	3.60 3.05	8.25 7.80	10.0 8.3	0.254	0.76
inches	0.17	0.020	0.13	0.068 0.051	0.021 0.015	0.049 0.033	0.014 0.009	0.77 0.73	0.26 0.24	0.10	0.30	0.14 0.12	0.32 0.31	0.39 0.33	0.01	0.030

Note

1. Plastic or metal protrusions of 0.25 mm maximum per side are not included.

OUTLINE VERSION	REFERENCES				EUROPEAN PROJECTION	ISSUE DATE
	IEC	JEDEC	EIAJ			
SOT38-4						92-11-17 95-01-14

Internally-compensated dual low noise
operational amplifier

NE/SA/SE5532/5532A

NOTES

Internally-compensated dual low noise operational amplifier

NE/SA/SE5532/5532A

Data sheet status

Data sheet status ^[1]	Product status ^[2]	Definitions
Objective data	Development	This data sheet contains data from the objective specification for product development. Philips Semiconductors reserves the right to change the specification in any manner without notice.
Preliminary data	Qualification	This data sheet contains data from the preliminary specification. Supplementary data will be published at a later date. Philips Semiconductors reserves the right to change the specification without notice, in order to improve the design and supply the best possible product.
Product data	Production	This data sheet contains data from the product specification. Philips Semiconductors reserves the right to make changes at any time in order to improve the design, manufacturing and supply. Changes will be communicated according to the Customer Product/Process Change Notification (CPCN) procedure SNW-SQ-650A.

[1] Please consult the most recently issued data sheet before initiating or completing a design.

[2] The product status of the device(s) described in this data sheet may have changed since this data sheet was published. The latest information is available on the Internet at URL <http://www.semiconductors.philips.com>.

Definitions

Short-form specification — The data in a short-form specification is extracted from a full data sheet with the same type number and title. For detailed information see the relevant data sheet or data handbook.

Limiting values definition — Limiting values given are in accordance with the Absolute Maximum Rating System (IEC 60134). Stress above one or more of the limiting values may cause permanent damage to the device. These are stress ratings only and operation of the device at these or at any other conditions above those given in the Characteristics sections of the specification is not implied. Exposure to limiting values for extended periods may affect device reliability.

Application information — Applications that are described herein for any of these products are for illustrative purposes only. Philips Semiconductors make no representation or warranty that such applications will be suitable for the specified use without further testing or modification.

Disclaimers

Life support — These products are not designed for use in life support appliances, devices or systems where malfunction of these products can reasonably be expected to result in personal injury. Philips Semiconductors customers using or selling these products for use in such applications do so at their own risk and agree to fully indemnify Philips Semiconductors for any damages resulting from such application.

Right to make changes — Philips Semiconductors reserves the right to make changes, without notice, in the products, including circuits, standard cells, and/or software, described or contained herein in order to improve design and/or performance. Philips Semiconductors assumes no responsibility or liability for the use of any of these products, conveys no license or title under any patent, copyright, or mask work right to these products, and makes no representations or warranties that these products are free from patent, copyright, or mask work right infringement, unless otherwise specified.

Contact information

For additional information please visit
<http://www.semiconductors.philips.com>. Fax: +31 40 27 24825

© Koninklijke Philips Electronics N.V. 2002
 All rights reserved. Printed in U.S.A.

Date of release: 03-02

For sales offices addresses send e-mail to:
sales.addresses@www.semiconductors.philips.com

Document order number:

9397 750 09563

Let's make things better.