

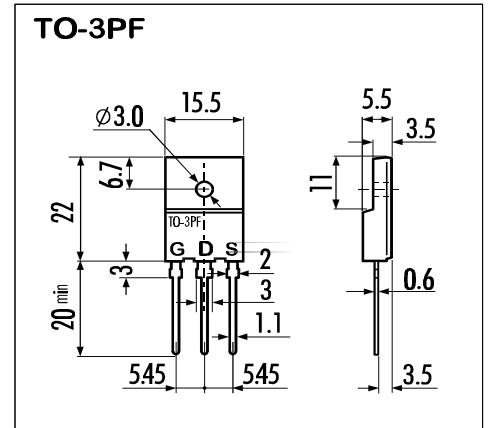
> **Features**

- High Speed Switching
- Low On-Resistance
- No Secondary Breakdown
- Low Driving Power
- High Voltage
- $V_{GS} = \pm 30V$ Guarantee
- Avalanche Proof

> **Applications**

- Switching Regulators
- UPS
- DC-DC converters
- General Purpose Power Amplifier

> **Outline Drawing**

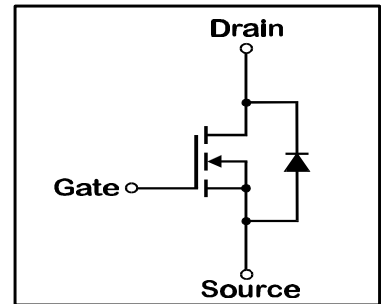


> **Maximum Ratings and Characteristics**

- Absolute Maximum Ratings ($T_C=25^\circ C$), unless otherwise specified

| Item | Symbol | Rating | Unit |
|---|---------------|------------|------------|
| Drain-Source-Voltage | V_{DS} | 800 | V |
| Drain-Gate-Voltage ($R_{GS}=20K\Omega$) | V_{DGR} | 800 | V |
| Continous Drain Current | I_D | 7 | A |
| Pulsed Drain Current | $I_{D(puls)}$ | 21 | A |
| Gate-Source-Voltage | V_{GS} | ± 30 | V |
| Max. Power Dissipation | P_D | 80 | W |
| Operating and Storage Temperature Range | T_{ch} | 150 | $^\circ C$ |
| | T_{stg} | -55 ~ +150 | $^\circ C$ |

> **Equivalent Circuit**



- Electrical Characteristics ($T_C=25^\circ C$), unless otherwise specified

| Item | Symbol | Test conditions | Min. | Typ. | Max. | Unit |
|--|---------------|---|------|------|------|----------|
| Drain-Source Breakdown-Voltage | $V_{(BR)DSS}$ | $I_D=1mA$ $V_{GS}=0V$ | 800 | | | V |
| Gate Threshold Voltage | $V_{GS(th)}$ | $I_D=1mA$ $V_{DS}=V_{GS}$ | 2,5 | 3,5 | 5,0 | V |
| Zero Gate Voltage Drain Current | I_{DSS} | $V_{DS}=800V$ $T_{ch}=25^\circ C$ | | 10 | 500 | μA |
| | | $V_{GS}=0V$ $T_{ch}=125^\circ C$ | | 0,2 | 1,0 | mA |
| Gate Source Leakage Current | I_{GSS} | $V_{GS}=\pm 30V$ $V_{DS}=0V$ | | 10 | 100 | nA |
| Drain Source On-State Resistance | $R_{DS(on)}$ | $I_D=3A$ $V_{GS}=10V$ | | 1,7 | 2,2 | Ω |
| Forward Transconductance | g_{fs} | $I_D=3A$ $V_{DS}=25V$ | 2 | 4,5 | | S |
| Input Capacitance | C_{iss} | $V_{DS}=25V$ | | 1200 | 1800 | pF |
| Output Capacitance | C_{oss} | $V_{GS}=0V$ | | 140 | 210 | pF |
| Reverse Transfer Capacitance | C_{rss} | $f=1MHz$ | | 50 | 75 | pF |
| Turn-On-Time t_{on} ($t_{on}=t_{d(on)}+t_r$) | $t_{d(on)}$ | $V_{CC}=600V$ | | 35 | 55 | ns |
| | t_r | $I_D=7A$ | | 110 | 170 | ns |
| Turn-Off-Time t_{off} ($t_{off}=t_{d(off)}+t_f$) | $t_{d(off)}$ | $V_{GS}=10V$ | | 150 | 230 | ns |
| | t_f | $R_{GS}=25\Omega$ | | 100 | 150 | ns |
| Avalanche Capability | I_{AV} | $L=100\mu H$ $T_{ch}=25^\circ C$ | 7 | | | A |
| Diode Forward On-Voltage | V_{SD} | $I_F=2I_{DR}$ $V_{GS}=0V$ $T_{ch}=25^\circ C$ | | 1,0 | 1,5 | V |
| Reverse Recovery Time | t_{rr} | $I_F=I_{DR}$ $V_{GS}=0V$ | | 800 | | ns |
| Reverse Recovery Charge | Q_{rr} | $-dI_F/dt=100A/\mu s$ $T_{ch}=25^\circ C$ | | 5,0 | | μC |

- Thermal Characteristics

| Item | Symbol | Test conditions | Min. | Typ. | Max. | Unit |
|--------------------|----------------|-----------------|------|------|------|--------------|
| Thermal Resistance | $R_{th(ch-a)}$ | channel to air | | | 30 | $^\circ C/W$ |
| | $R_{th(ch-c)}$ | channel to case | | | 1,56 | $^\circ C/W$ |

| | | | |
|-------------------|------|----|-----|
| N-channel MOS-FET | | | |
| 800V | 2,2Ω | 7A | 80W |

2SK2562-01R

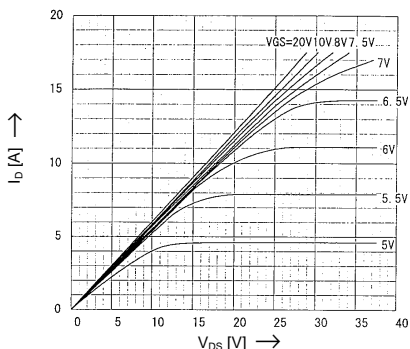
FAP-II Series



> Characteristics

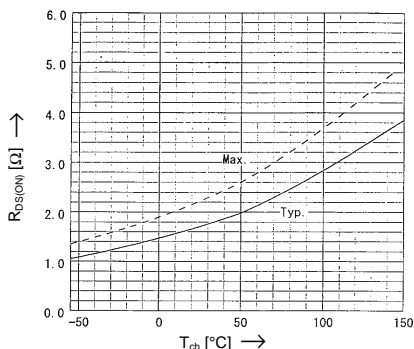
Typical Output Characteristics

$I_D = f(V_{DS})$; 80μs pulse test; $T_C = 25^\circ\text{C}$



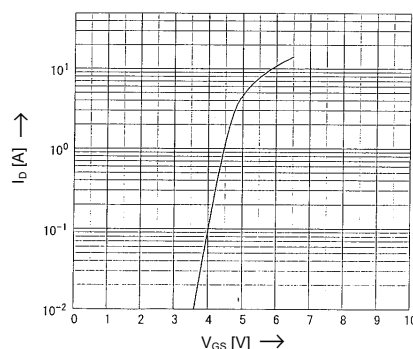
Drain-Source On-State Resistance

$R_{DS(on)} = f(T_{ch})$; $I_D = 3A$; $V_{GS} = 10V$



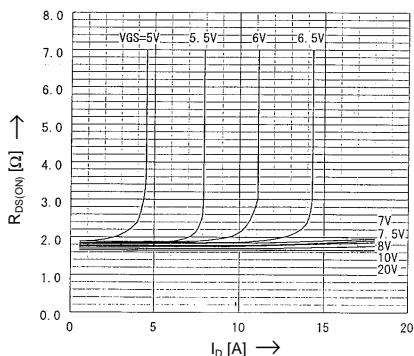
Typical Transfer Characteristics

$I_D = f(V_{GS})$; 80μs pulse test; $V_{DS} = 25V$; $T_{ch} = 25^\circ\text{C}$



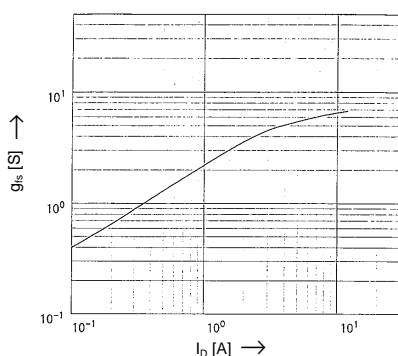
Typical Drain-Source On-State-Resistance

$R_{DS(on)} = f(I_D)$; 80μs pulse test; $T_C = 25^\circ\text{C}$



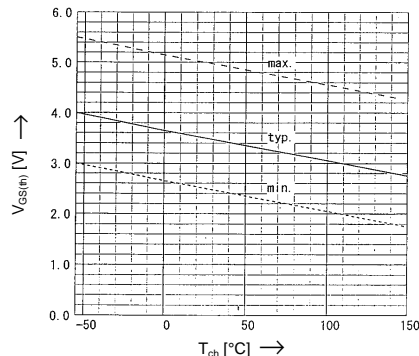
Typical Forward Transconductance

$g_{fs} = f(I_D)$; 80μs pulse test; $V_{DS} = 25V$; $T_C = 25^\circ\text{C}$



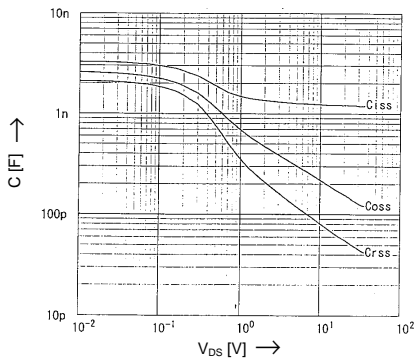
Gate Threshold Voltage

$V_{GS(th)} = f(T_{ch})$; $I_D = 1mA$; $V_{DS} = V_{GS}$



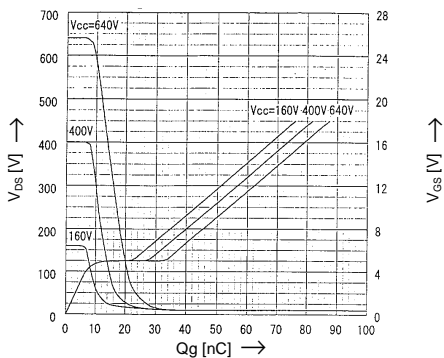
Typical Capacitances

$C = f(V_{DS})$; $V_{GS} = 0V$; $f = 1MHz$



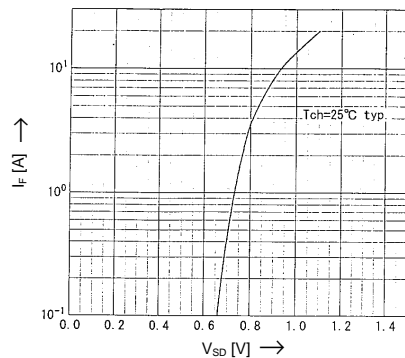
Typical Gate Charge Characteristics

$V_{GS} = f(Q_g)$; $I_D = 7A$; $T_C = 25^\circ\text{C}$



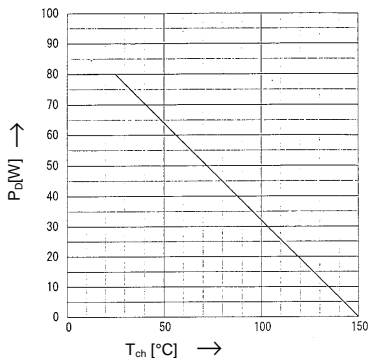
Forward Characteristics of Reverse Diode

$I_F = f(V_{SD})$; 80μs pulse test; $V_{GS} = 0V$



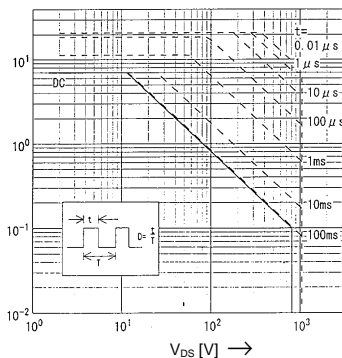
Power Dissipation

$P_D = f(T_C)$



Safe Operation Area

$I_D = f(V_{DS})$; $D = 0.01$; $T_C = 25^\circ\text{C}$



Transient Thermal Impedance

Transient Thermal impedance

$Z_{th(jc)} = f(t)$ parameter: $D = t/T$

