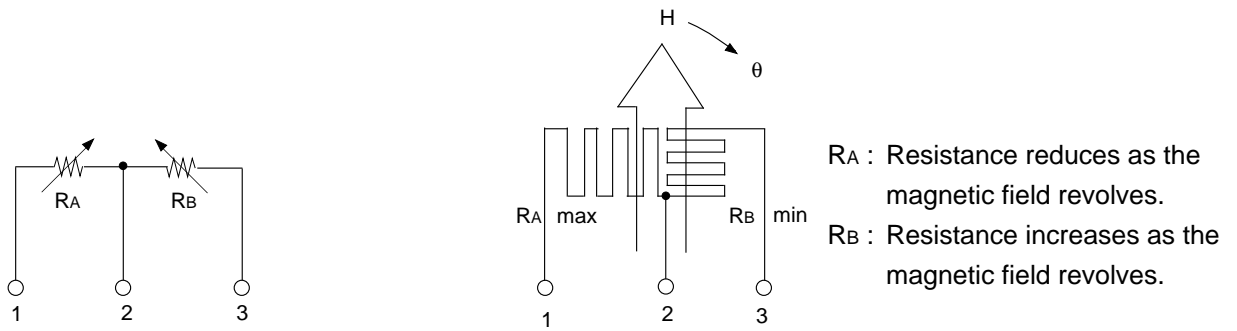


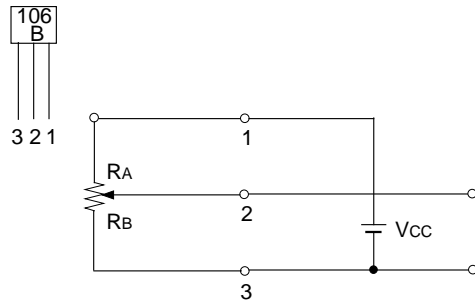


Equivalent Circuit

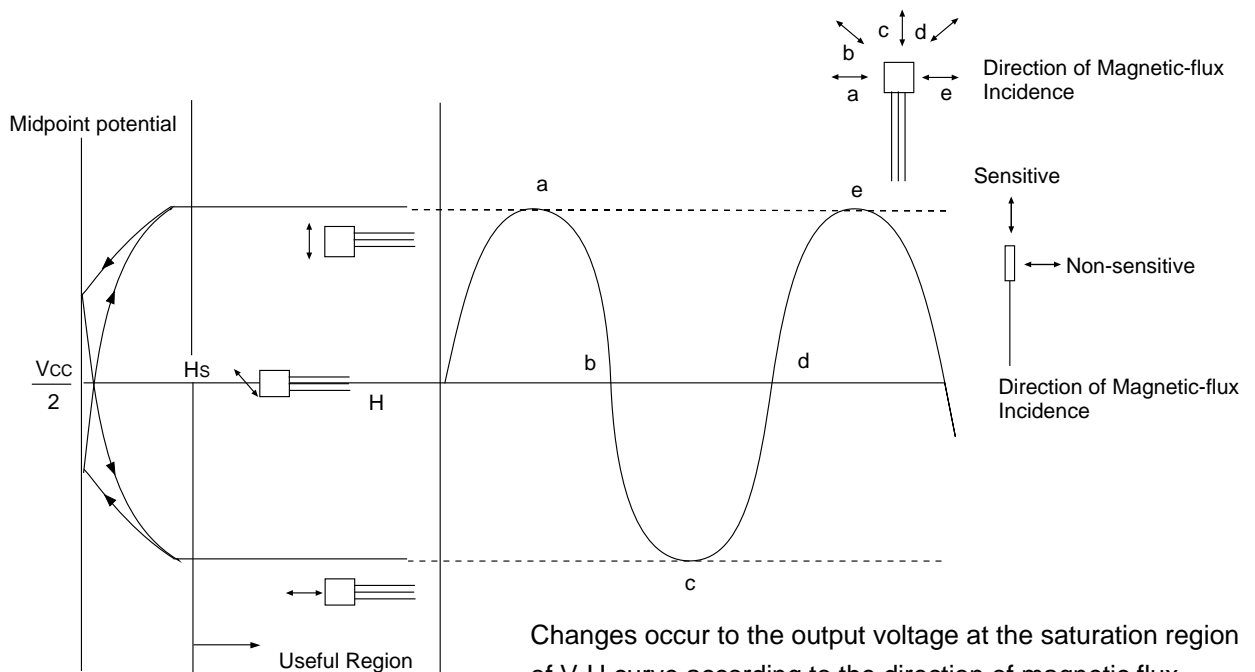


Introduction

1. Power supplying pin output pin



2. Sensitive direction vs. Midpoint potential



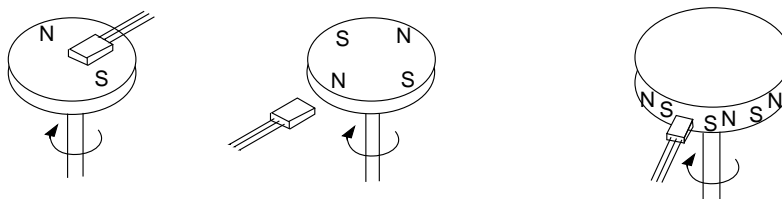
Changes occur to the output voltage at the saturation region of V-H curve according to the direction of magnetic flux.

These changes provide for the operation.

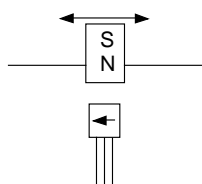
- With one rotation of magnetic flux, signals for 2 periods are obtained.

**Applications**

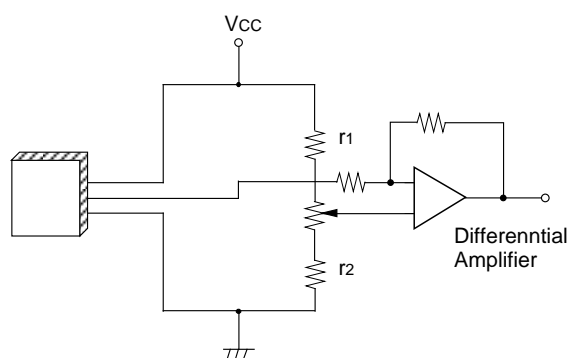
1. Detection of revolution



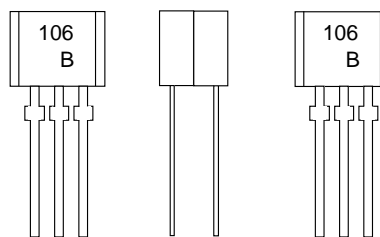
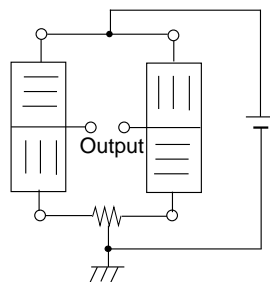
2. Position detecting



Circuits



3. Bridge Circuits



By coupling 2 pieces back to back and sticking them together in a bridge, the output voltage is doubled.

**Notes on Application**

- Execute the solder to the lead line within 10 seconds at a temperature below 260 °
- To Fix the ELEMENTS : When glue is used, DO NOT apply mechanical stress to the elements.

