

## 4-Pin Microcontroller Reset Monitors

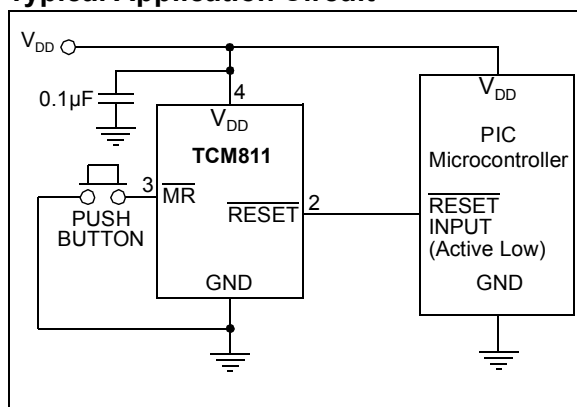
### Features

- Precision  $V_{DD}$  Monitor for 2.0V, 2.8V, 3.0V, 3.3V, 5.0V Nominal Supplies
- Manual Reset Input
- 140 msec Minimum RESET Output Duration
- RESET Output Valid to  $V_{DD} = 1.0V$  (TCM811)
- Low 6  $\mu A$  (typ.) Supply Current
- $V_{DD}$  Transient Immunity
- Small 4-Pin SOT-143 Package
- No External Components
- Replacement for MAX811/812 and Offers a Lower Threshold Voltage Option
- Push-Pull RESET Output
- Temperature Range:
  - Commercial (C)  $-40^{\circ}C$  to  $+85^{\circ}C$

### Applications

- Computers
- Embedded Systems
- Battery Powered Equipment
- Critical Microcontroller Power Supply Monitoring

### Typical Application Circuit



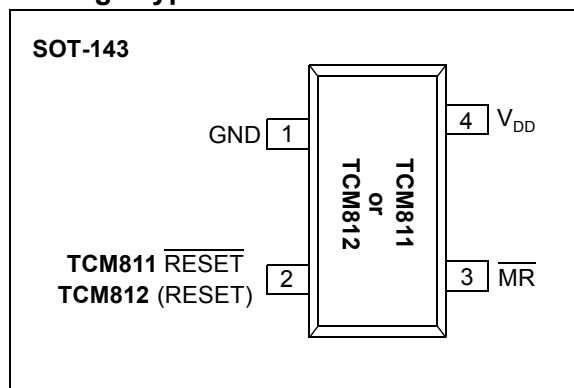
### General Description

The TCM811 and TCM812 are cost effective system supervisory circuits designed to monitor  $V_{DD}$  in digital systems and provide a reset signal to the host controller when necessary. A manual reset input is provided to override the reset monitor and is suitable for use as a push-button reset. No external components are required.

The reset output is driven active within 20  $\mu sec$  (5  $\mu sec$  for F version) of  $V_{DD}$  falling through the reset voltage threshold. RESET is maintained active for a minimum of 140 msec after  $V_{DD}$  rises above the reset threshold. The TCM812 has an active high RESET output while the TCM811 has an active low RESET output. The output of the TCM811 is valid down to  $V_{DD} = 1V$ . Both devices are available in a 4-Pin SOT-143 package, specified with a temperature range of  $-40^{\circ}C$  to  $+85^{\circ}C$ .

The TCM811/TCM812 are optimized to reject fast transient glitches on the  $V_{DD}$  line. A low supply current of 6  $\mu A$  ( $V_{DD} = 3.3V$ ) makes these devices ideal for battery powered applications.

### Package Types:



# TCM811/TCM812

## 1.0 ELECTRICAL CHARACTERISTICS

### ABSOLUTE MAXIMUM RATINGS\*

Supply Voltage ( $V_{DD}$ to GND).....	+6.0V
$\overline{\text{RESET}}$ , RESET.....	- 0.3V to ( $V_{DD}$ + 0.3V)
Input Current, $V_{DD}$ .....	.20 mA
Output Current, $\overline{\text{RESET}}$ , RESET.....	.20 mA
Operating Temperature Range.....	- 40°C to +85°C
Storage Temperature Range.....	- 65°C to +150°C
Maximum Junction Temperature, $T_J$ .....	150°C

\***Notice:** Stresses beyond those listed under "Absolute Maximum Ratings" may cause permanent damage to the device. These are stress ratings only, and functional operation of the device at these or any other conditions beyond those indicated in the operational sections of the specifications is not implied. Exposure to absolute maximum rating conditions for extended periods may affect device reliability.

## PIN FUNCTION TABLE

NAME	FUNCTION
GND	Ground
RESET (TCM811)	RESET push-pull output remains low while $V_{DD}$ is below the reset voltage threshold, and for at least 140 msec (min.) after $V_{DD}$ rises above reset threshold.
RESET (TCM812)	RESET push-pull output remains high while $V_{DD}$ is below the reset voltage threshold, and for at least 140 msec (min.) after $V_{DD}$ rises above reset threshold.
$\overline{\text{MR}}$	Manual Reset input generates a reset when $\overline{\text{MR}}$ is below $V_{IL}$ .
$V_{DD}$	Supply Voltage

## ELECTRICAL CHARACTERISTICS

$V_{DD}$  = 5V for L/M versions,  $V_{DD}$  = 3.3V for T/S versions,  $V_{DD}$  = 3V for R version,  $V_{DD}$  = 2.0V for F version.  
 $T_A$  = -40°C to +85°C, unless otherwise noted. Typical values are at  $T_A$  = +25°C. (Note 1)

Parameters	Sym	Min	Typ	Max	Units	Conditions
$V_{DD}$ Range	$V_{DD}$	1.0 1.1	— —	5.5 5.5	V	TCM811 TCM812
Supply Current	$I_{CC}$	— —	6 4.75	15 10	$\mu\text{A}$	TCM81_L/M, $V_{DD}$ = 5.5V, $I_{OUT}$ = 0 TCM81_R/S/T/F, $V_{DD}$ = 3.6V, $I_{OUT}$ = 0
Reset Threshold	$V_{TH}$	4.54 4.50	4.63 —	4.72 4.75	V	TCM81_L: $T_A$ = +25°C $T_A$ = -40°C to +85°C
		4.30 4.25	4.38 —	4.46 4.50		TCM81_M: $T_A$ = +25°C $T_A$ = -40°C to +85°C
		3.03 3.00	3.08 —	3.14 3.15		TCM81_T: $T_A$ = +25°C $T_A$ = -40°C to +85°C
		2.88 2.85	2.93 —	2.98 3.00		TCM81_S: $T_A$ = +25°C $T_A$ = -40°C to +85°C
		2.58 2.55	2.63 —	2.68 2.70		TCM81_R: $T_A$ = +25°C $T_A$ = -40°C to +85°C
		1.71 1.70	1.75 —	1.79 1.80		TCM81_F: $T_A$ = +25°C $T_A$ = -40°C to +85°C
Reset Threshold Tempco		—	30	—	ppm/°C	
$V_{DD}$ to Reset Delay		— —	20 5	— —	$\mu\text{sec}$	$V_{DD}$ = $V_{TH}$ to $V_{TH}$ -125 mV; L, M, R, S, T, F
Reset Active Timeout Period	$t_{RP}$	140	280	560	msec	$V_{DD}$ = $V_{TH}(\text{MAX})$
$\overline{\text{MR}}$ Minimum Pulse Width	$t_{MR}$	10	—	—	$\mu\text{sec}$	
$\overline{\text{MR}}$ Glitch Immunity		—	100	—	nsec	
$\overline{\text{MR}}$ to Reset Propagation Delay	$t_{MD}$	—	0.5	—	$\mu\text{sec}$	

**Note 1:** Production testing done at  $T_A$  = +25°C and +85°C, over temperature limits are tested with periodic QA tests in production.

# TCM811/TCM812

$V_{DD} = 5V$  for L/M versions,  $V_{DD} = 3.3V$  for T/S versions,  $V_{DD} = 3V$  for R version,  $V_{DD} = 2.0V$  for F version.  
 $T_A = -40^{\circ}C$  to  $+85^{\circ}C$ , unless otherwise noted. Typical values are at  $T_A = +25^{\circ}C$ . (Note 1)

Parameters	Sym	Min	Typ	Max	Units	Conditions
MR Input Threshold	$V_{IH}$ $V_{IL}$	2.3 —	— —	— 0.8	V	$V_{DD} > V_{TH(MAX)}$ , TCM81_L/M
	$V_{IH}$ $V_{IL}$	$0.7 V_{DD}$ —	— —	— $0.25 V_{DD}$	V	$V_{DD} > V_{TH(MAX)}$ , TCM81_R/S/T/F
MR Pull-up Resistance		10	20	40	k $\Omega$	
RESET Output Voltage Low (TCM811)	$V_{OL}$	—	—	0.3	V	TCM811R/S/T only; $I_{SINK} = 1.2 mA$ , $V_{DD} = V_{TH(MIN)}$
		—	—	0.4	V	TCM811F only; $I_{SINK} = 500 \mu A$ , $V_{DD} = V_{TH(MIN)}$
		—	—	0.3	V	TCM811L/M only; $I_{SINK} = 3.2 mA$ , $V_{DD} = V_{TH(MIN)}$ $I_{SINK} = 3.2 mA$ , $V_{DD} = V_{TH(MIN)}$
RESET Output Voltage High (TCM811)	$V_{OH}$	$0.8 V_{DD}$	—	—	V	TCM811R/S/T/F only; $I_{SOURCE} = 500 \mu A$ , $V_{DD} > V_{TH(MAX)}$
		$V_{DD} - 1.5$	—	—	V	TCM811L/M only; $I_{SOURCE} = 800 \mu A$ , $V_{DD} > V_{TH(MAX)}$
RESET Output Voltage Low (TCM812)	$V_{OL}$	—	—	0.2	V	TCM812F only, $I_{SINK} = 500 \mu A$ , $V_{DD} = V_{TH(MAX)}$
		—	—	0.3		TCM812R/S/T only, $I_{SINK} = 1.2 mA$ , $V_{DD} = V_{TH(MAX)}$
		—	—	0.4		TCM812L/M only, $I_{SINK} = 1.2 mA$ , $V_{DD} = V_{TH(MAX)}$
RESET Output Voltage High (TCM812)	$V_{OH}$	$0.8 V_{DD}$	—	—	V	$I_{SOURCE} = 150 \mu A$ , $V_{DD} \leq V_{TH(MIN)}$

**Note 1:** Production testing done at  $T_A = +25^{\circ}C$  and  $+85^{\circ}C$ , over temperature limits are tested with periodic QA tests in production.

# TCM811/TCM812

## 2.0 APPLICATIONS INFORMATION

The TCM811/TCM812 provides accurate  $V_{DD}$  monitoring and reset timing during power-up, power-down, and brownout/sag conditions. These devices also reject negative-going transients (glitches) on the power supply line. Figure 2-1 shows the maximum transient duration vs. maximum negative excursion (overdrive) for glitch rejection. Any combination of duration and overdrive that is under the curve will not generate a reset signal. Combinations above the curve are detected as a brownout or power-down. Transient immunity can be improved by adding a 0.1  $\mu\text{F}$  capacitor in close proximity to the  $V_{DD}$  pin of the TCM811/812.

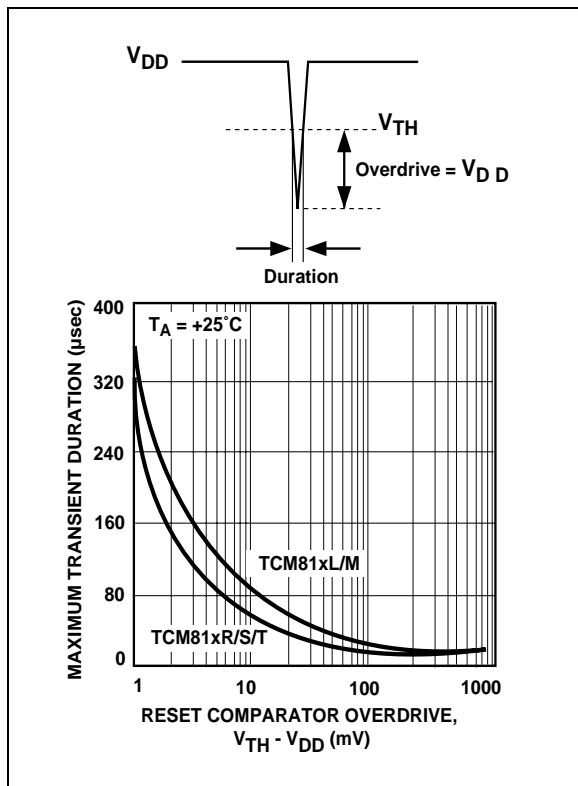


FIGURE 2-1: Maximum Transient Duration vs. Overdrive for Glitch Rejection at 25°C.

### 2.1 RESET Signal Integrity During Power-Down

The TCM811 RESET push-pull output is valid to  $V_{DD} = 1.0\text{V}$ . Below this voltage the output becomes an "open circuit" and does not sink current. This means CMOS logic inputs to the microcontroller will be floating at an undetermined voltage. Most digital systems are completely shutdown well above this voltage. However, in situations where RESET must be maintained valid to  $V_{DD} = 0\text{V}$ , a pull-down resistor must be connected from RESET to ground to discharge stray capacitances and hold the output low (Figure 2-2). This resistor value, though not critical, should be chosen such that it does not appreciably load RESET under normal operation

(100 k $\Omega$  will be suitable for most applications). Similarly, a pull-up resistor to  $V_{DD}$  is required for the TCM812 to ensure a valid high RESET for  $V_{DD}$  below 1.1V.

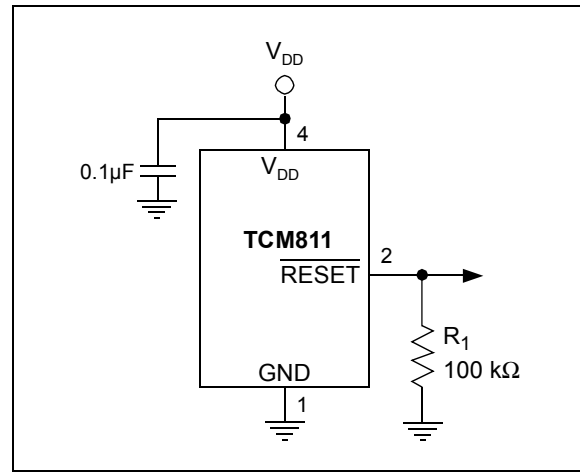


FIGURE 2-2: The addition of  $R_1$  at the RESET output of the TCM811 ensures that the RESET output is valid to  $V_{DD} = 0\text{V}$ .

### 2.2 Controllers and Processors With Bidirectional I/O Pins

Some microcontrollers have bi-directional reset pins. Depending on the current drive capability of the controller pin, an indeterminate logic level may result if there is a logic conflict. This can be avoided by adding a 4.7 k $\Omega$  resistor in series with the output of the TCM811/TCM812 (Figure 2-3). If there are other components in the system which require a reset signal, they should be buffered so as not to load the reset line. If the other components are required to follow the reset I/O of the microcontroller, the buffer should be connected as shown with the solid line.

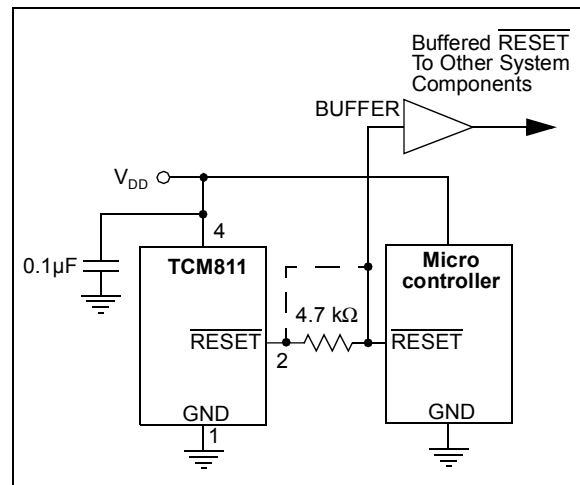


FIGURE 2-3: Interfacing the TCM811 to a Bi-directional Reset I/O.

## 3.0 TYPICAL PERFORMANCE CHARACTERISTICS

**Note:** The graphs provided following this note are a statistical summary based on a limited number of samples and are provided for informational purposes only. The performance characteristics listed herein are not tested or guaranteed. In some graphs, the data presented may be outside the specified operating range (e.g., outside specified power supply range) and therefore outside the warranted range.

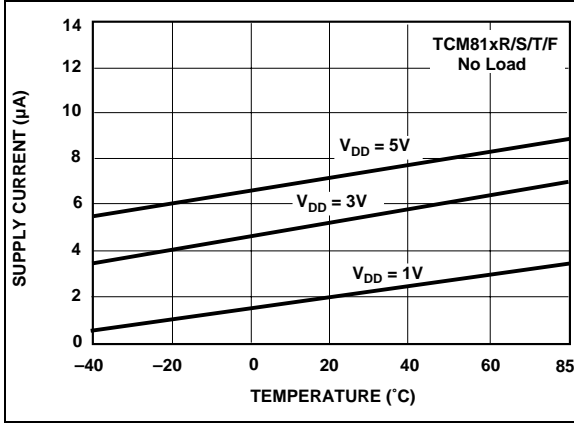


FIGURE 3-1: Supply Current vs. Temperature.

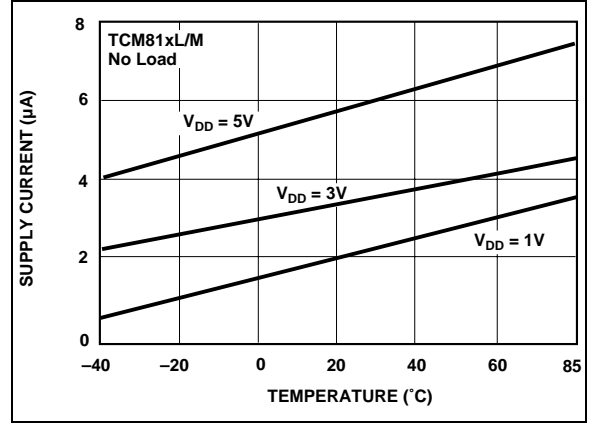


FIGURE 3-4: Supply Current vs. Temperature.

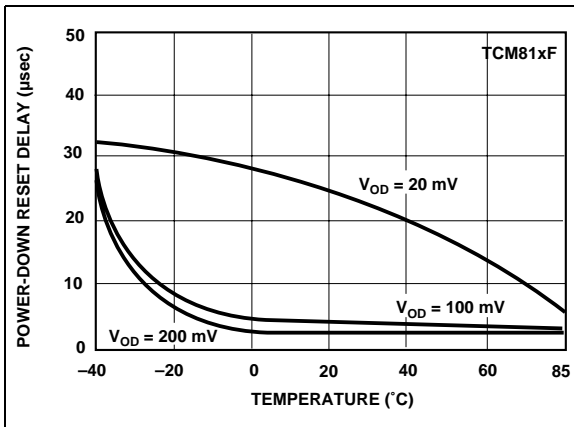


FIGURE 3-2: Power-Down Reset Delay vs. Temperature.

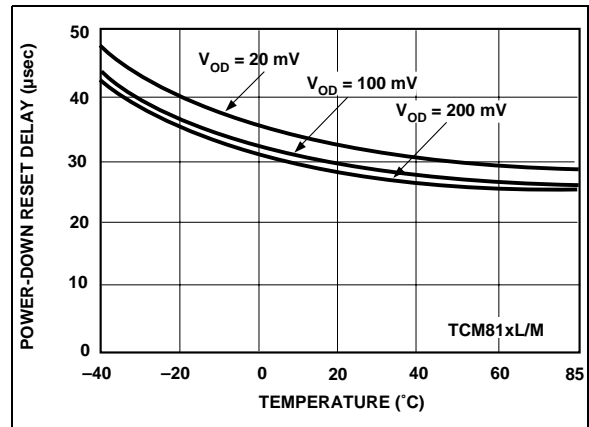


FIGURE 3-5: Power-Down Reset Delay vs. Temperature.

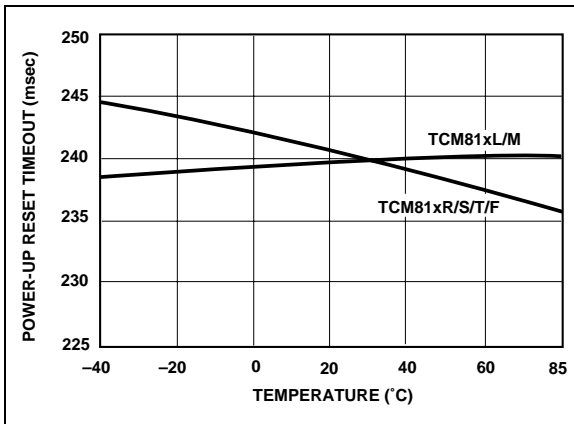


FIGURE 3-3: Power-Up Reset Timeout vs. Temperature.

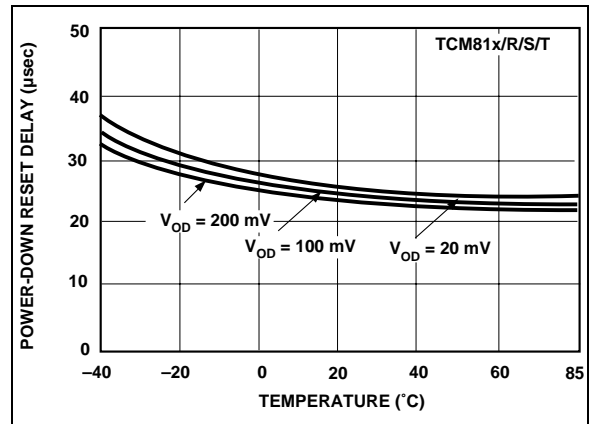
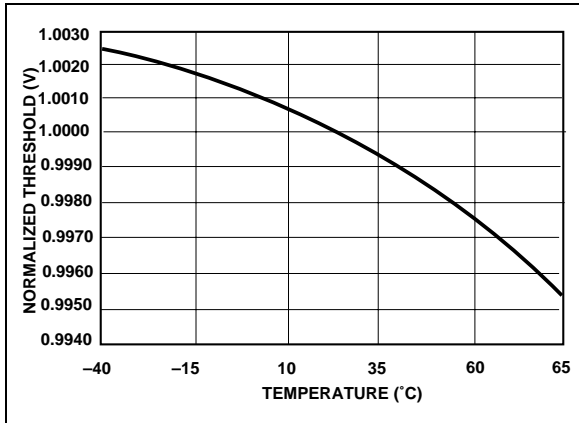


FIGURE 3-6: Power-Down Reset Delay vs. Temperature.

# TCM811/TCM812

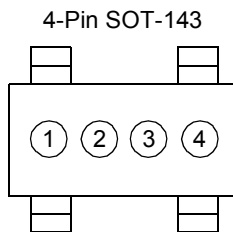
---



**FIGURE 3-7:** Normalized Reset Threshold vs. Temperature.

## 4.0 PACKAGING INFORMATION

### 4.1 Package Marking Information



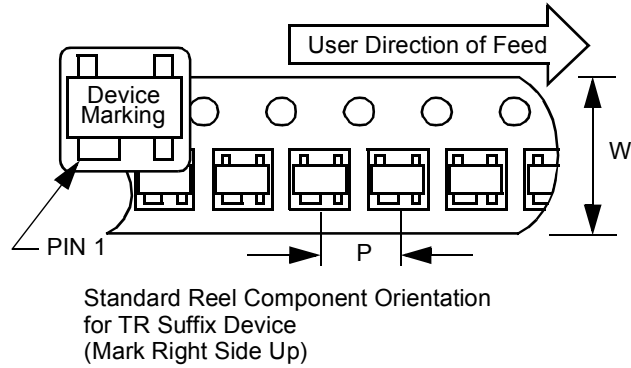
Part Number	(V)	Code
TCM811LERC	4.63	U1
TCM811MERC	4.38	U2
TCM811TERC	3.08	U3
TCM811SERC	2.93	U4
TCM811RERC	2.63	U5
TCM811FERC	1.75	U7
TCM812LERC	4.63	V1
TCM812MERC	4.38	V2
TCM812TERC	3.08	V3
TCM812SERC	2.93	V4
TCM812RERC	2.63	V5
TCM812FERC	1.75	V7

<b>Legend:</b>	1	Part Number + temperature range and voltage (two-digit code)
	2	Part Number + temperature range and voltage (two-digit code)
	3	Year and two-month period code
	4	Lot ID number
<b>Note:</b>	In the event the full Microchip part number cannot be marked on one line, it will be carried over to the next line thus limiting the number of available characters for customer specific information.	

# TCM811/TCM812

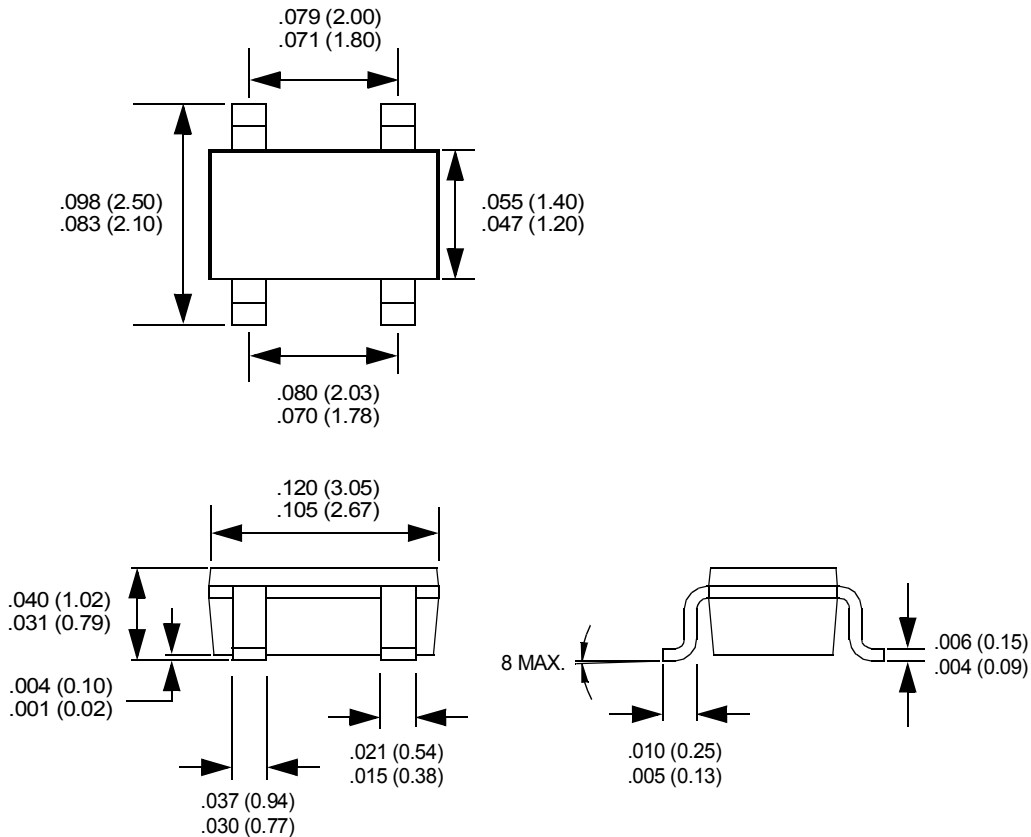
## 4.2 Package Dimensions

Component Taping Orientation for 4-Pin SOT-143 Devices



Carrier Tape, Number of Components Per Reel and Reel Size:

Package	Carrier Width (W)	Pitch (P)	Part Per Full Reel	Reel Size
4-Pin SOT-143	8 mm	4 mm	3000	7 in.



## ON-LINE SUPPORT

Microchip provides on-line support on the Microchip World Wide Web (WWW) site.

The web site is used by Microchip as a means to make files and information easily available to customers. To view the site, the user must have access to the Internet and a web browser, such as Netscape or Microsoft Explorer. Files are also available for FTP download from our FTP site.

### Connecting to the Microchip Internet Web Site

The Microchip web site is available by using your favorite Internet browser to attach to:

**[www.microchip.com](http://www.microchip.com)**

The file transfer site is available by using an FTP service to connect to:

**<ftp://ftp.microchip.com>**

The web site and file transfer site provide a variety of services. Users may download files for the latest Development Tools, Data Sheets, Application Notes, User's Guides, Articles and Sample Programs. A variety of Microchip specific business information is also available, including listings of Microchip sales offices, distributors and factory representatives. Other data available for consideration is:

- Latest Microchip Press Releases
- Technical Support Section with Frequently Asked Questions
- Design Tips
- Device Errata
- Job Postings
- Microchip Consultant Program Member Listing
- Links to other useful web sites related to Microchip Products
- Conferences for products, Development Systems, technical information and more
- Listing of seminars and events

## Systems Information and Upgrade Hot Line

The Systems Information and Upgrade Line provides system users a listing of the latest versions of all of Microchip's development systems software products. Plus, this line provides information on how customers can receive any currently available upgrade kits. The Hot Line Numbers are:

1-800-755-2345 for U.S. and most of Canada, and

1-480-792-7302 for the rest of the world.

013001

# TCM811/TCM812

---

---

## READER RESPONSE

It is our intention to provide you with the best documentation possible to ensure successful use of your Microchip product. If you wish to provide your comments on organization, clarity, subject matter, and ways in which our documentation can better serve you, please FAX your comments to the Technical Publications Manager at (480) 792-4150.

Please list the following information, and use this outline to provide us with your comments about this Data Sheet.

To: Technical Publications Manager Total Pages Sent  
RE: Reader Response  
From: Name \_\_\_\_\_  
Company \_\_\_\_\_  
Address \_\_\_\_\_  
City / State / ZIP / Country \_\_\_\_\_  
Telephone: (\_\_\_\_\_) \_\_\_\_\_ - \_\_\_\_\_ FAX: (\_\_\_\_\_) \_\_\_\_\_ - \_\_\_\_\_

Application (optional):

Would you like a reply? \_\_\_Y \_\_\_N

Device: **TCM811/TCM812** Literature Number: **DS21615B**

Questions:

1. What are the best features of this document?

---

---

2. How does this document meet your hardware and software development needs?

---

---

3. Do you find the organization of this data sheet easy to follow? If not, why?

---

---

4. What additions to the data sheet do you think would enhance the structure and subject?

---

---

5. What deletions from the data sheet could be made without affecting the overall usefulness?

---

---

6. Is there any incorrect or misleading information (what and where)?

---

---

7. How would you improve this document?

---

---

8. How would you improve our software, systems, and silicon products?

---

---

## PRODUCT IDENTIFICATION SYSTEM

To order or obtain information, e.g., on pricing or delivery, refer to the factory or the listed sales office.

<u>PART NO.</u>	<u>X</u>	<u>X</u>	<u>XXXX</u>
Device	V <sub>DD</sub> Reset Threshold	Temperature Range	Package
Device:	TCM811: Supervisor Circuit with active-low <u>RESET</u> output TCM812: Supervisor Circuit with active-high <u>RESET</u> output		
V <sub>DD</sub> Reset Threshold:	L = 4.63V M = 4.38V T = 3.08V S = 2.93V R = 2.63V F = 1.75V		
Temperature Range:	E = -40°C to +85°C		
Package:	RCTR = SOT-143, 4-pin (Tape and Reel)		

**Examples:**

- a) TCM811LERCTR: SOT-143, Microcontroller 4.63V Reset Monitor, -40°C to +85°C, Tape and Reel.
- b) TCM811MERCTR: SOT-143, Microcontroller 4.38V Reset Monitor, -40°C to +85°C, Tape and Reel.
- a) TCM812FERCTR: SOT-143, Microcontroller 1.75V Reset Monitor, -40°C to +85°C, Tape and Reel.
- b) TCM812SERCTR: SOT-143, Microcontroller 2.93V Reset Monitor, -40°C to +125°C, Tape and Reel.

## Sales and Support

### **Data Sheets**

Products supported by a preliminary Data Sheet may have an errata sheet describing minor operational differences and recommended workarounds. To determine if an errata sheet exists for a particular device, please contact one of the following:

1. Your local Microchip sales office
2. The Microchip Corporate Literature Center U.S. FAX: (480) 792-7277
3. The Microchip Worldwide Site ([www.microchip.com](http://www.microchip.com))

Please specify which device, revision of silicon and Data Sheet (include Literature #) you are using.

### **New Customer Notification System**

Register on our web site ([www.microchip.com/cn](http://www.microchip.com/cn)) to receive the most current information on our products.

# TCM811/TCM812

---

NOTES:

---

Information contained in this publication regarding device applications and the like is intended through suggestion only and may be superseded by updates. It is your responsibility to ensure that your application meets with your specifications. No representation or warranty is given and no liability is assumed by Microchip Technology Incorporated with respect to the accuracy or use of such information, or infringement of patents or other intellectual property rights arising from such use or otherwise. Use of Microchip's products as critical components in life support systems is not authorized except with express written approval by Microchip. No licenses are conveyed, implicitly or otherwise, under any intellectual property rights.

#### Trademarks


The Microchip name and logo, the Microchip logo, FilterLab, KEELoQ, MPLAB, PIC, PICmicro, PICMASTER, PICSTART, PRO MATE, SEEVAL and The Embedded Control Solutions Company are registered trademarks of Microchip Technology Incorporated in the U.S.A. and other countries.

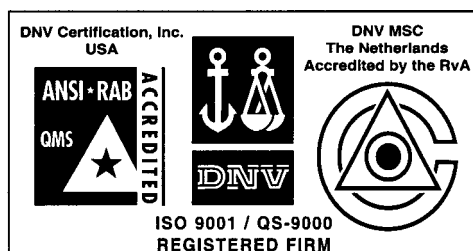
dsPIC, ECONOMONITOR, FanSense, FlexROM, fuzzyLAB, In-Circuit Serial Programming, ICSP, ICEPIC, microID, microPort, Migratable Memory, MPASM, MPLIB, MPLINK, MPSIM, MXDEV, PICC, PICDEM, PICDEM.net, rPIC, Select Mode and Total Endurance are trademarks of Microchip Technology Incorporated in the U.S.A.

Serialized Quick Term Programming (SQTP) is a service mark of Microchip Technology Incorporated in the U.S.A.

All other trademarks mentioned herein are property of their respective companies.

© 2002, Microchip Technology Incorporated, Printed in the U.S.A., All Rights Reserved.

 Printed on recycled paper.



*Microchip received QS-9000 quality system certification for its worldwide headquarters, design and wafer fabrication facilities in Chandler and Tempe, Arizona in July 1999. The Company's quality system processes and procedures are QS-9000 compliant for its PICmicro® 8-bit MCUs, KEELoQ® code hopping devices, Serial EEPROMs and microperipheral products. In addition, Microchip's quality system for the design and manufacture of development systems is ISO 9001 certified.*



# MICROCHIP

## WORLDWIDE SALES AND SERVICE

### AMERICAS

#### Corporate Office

2355 West Chandler Blvd.  
Chandler, AZ 85224-6199  
Tel: 480-792-7200 Fax: 480-792-7277  
Technical Support: 480-792-7627  
Web Address: <http://www.microchip.com>

#### Rocky Mountain

2355 West Chandler Blvd.  
Chandler, AZ 85224-6199  
Tel: 480-692-7966 Fax: 480-792-7456

#### Atlanta

500 Sugar Mill Road, Suite 200B  
Atlanta, GA 30350  
Tel: 770-640-0034 Fax: 770-640-0307

#### Boston

2 Lan Drive, Suite 120  
Westford, MA 01886  
Tel: 978-692-3848 Fax: 978-692-3821

#### Chicago

333 Pierce Road, Suite 180  
Itasca, IL 60143  
Tel: 630-285-0071 Fax: 630-285-0075

#### Dallas

4570 Westgrove Drive, Suite 160  
Addison, TX 75001  
Tel: 972-818-7423 Fax: 972-818-2924

#### Detroit

Tri-Atria Office Building  
32255 Northwestern Highway, Suite 190  
Farmington Hills, MI 48334  
Tel: 248-538-2250 Fax: 248-538-2260

#### Kokomo

2767 S. Albright Road  
Kokomo, Indiana 46902  
Tel: 765-864-8360 Fax: 765-864-8387

#### Los Angeles

18201 Von Karman, Suite 1090  
Irvine, CA 92612  
Tel: 949-263-1888 Fax: 949-263-1338

#### New York

150 Motor Parkway, Suite 202  
Hauppauge, NY 11788  
Tel: 631-273-5305 Fax: 631-273-5335

#### San Jose

Microchip Technology Inc.  
2107 North First Street, Suite 590  
San Jose, CA 95131  
Tel: 408-436-7950 Fax: 408-436-7955

#### Toronto

6285 Northam Drive, Suite 108  
Mississauga, Ontario L4V 1X5, Canada  
Tel: 905-673-0699 Fax: 905-673-6509

### ASIA/PACIFIC

#### Australia

Microchip Technology Australia Pty Ltd  
Suite 22, 41 Rawson Street  
Epping 2121, NSW  
Australia  
Tel: 61-2-9868-6733 Fax: 61-2-9868-6755

#### China - Beijing

Microchip Technology Consulting (Shanghai)  
Co., Ltd., Beijing Liaison Office  
Unit 915  
Bei Hai Wan Tai Bldg.  
No. 6 Chaoyangmen Beidajie  
Beijing, 100027, No. China  
Tel: 86-10-85282100 Fax: 86-10-85282104

#### China - Chengdu

Microchip Technology Consulting (Shanghai)  
Co., Ltd., Chengdu Liaison Office  
Rm. 2401, 24th Floor,  
Ming Xing Financial Tower  
No. 88 TIDU Street  
Chengdu 610016, China  
Tel: 86-28-6766200 Fax: 86-28-6766599

#### China - Fuzhou

Microchip Technology Consulting (Shanghai)  
Co., Ltd., Fuzhou Liaison Office  
Unit 28F, World Trade Plaza  
No. 71 Wusi Road  
Fuzhou 350001, China  
Tel: 86-591-7503506 Fax: 86-591-7503521

#### China - Shanghai

Microchip Technology Consulting (Shanghai)  
Co., Ltd.  
Room 701, Bldg. B  
Far East International Plaza  
No. 317 Xian Xia Road  
Shanghai, 200051  
Tel: 86-21-6275-5700 Fax: 86-21-6275-5060

#### China - Shenzhen

Microchip Technology Consulting (Shanghai)  
Co., Ltd., Shenzhen Liaison Office  
Rm. 1315, 13/F, Shenzhen Kerry Centre,  
Renminnan Lu  
Shenzhen 518001, China  
Tel: 86-755-2350361 Fax: 86-755-2366086

#### Hong Kong

Microchip Technology Hongkong Ltd.  
Unit 901-6, Tower 2, Metroplaza  
223 Hing Fong Road  
Kwai Fong, N.T., Hong Kong  
Tel: 852-2401-1200 Fax: 852-2401-3431

#### India

Microchip Technology Inc.  
India Liaison Office  
Divyasree Chambers  
1 Floor, Wing A (A3/A4)  
No. 11, O'Shaughnessey Road  
Bangalore, 560 025, India  
Tel: 91-80-2290061 Fax: 91-80-2290062

### Japan

Microchip Technology Japan K.K.  
Benex S-1 6F  
3-18-20, Shinyokohama  
Kohoku-Ku, Yokohama-shi  
Kanagawa, 222-0033, Japan  
Tel: 81-45-471-6166 Fax: 81-45-471-6122

### Korea

Microchip Technology Korea  
168-1, Youngbo Bldg. 3 Floor  
Samsung-Dong, Kangnam-Ku  
Seoul, Korea 135-882  
Tel: 82-2-554-7200 Fax: 82-2-558-5934

### Singapore

Microchip Technology Singapore Pte Ltd.  
200 Middle Road  
#07-02 Prime Centre  
Singapore, 188980  
Tel: 65-334-8870 Fax: 65-334-8850

### Taiwan

Microchip Technology Taiwan  
11F-3, No. 207  
Tung Hua North Road  
Taipei, 105, Taiwan  
Tel: 886-2-2717-7175 Fax: 886-2-2545-0139

### EUROPE

#### Denmark

Microchip Technology Nordic ApS  
Regus Business Centre  
Lautrup hof 1-3  
Ballerup DK-2750 Denmark  
Tel: 45 4420 9895 Fax: 45 4420 9910

#### France

Microchip Technology SARL  
Parc d'Activite du Moulin de Massy  
43 Rue du Saule Trapu  
Batiment A - 1er Etage  
91300 Massy, France  
Tel: 33-1-69-53-63-20 Fax: 33-1-69-30-90-79

#### Germany

Microchip Technology GmbH  
Gustav-Heinemann Ring 125  
D-81739 Munich, Germany  
Tel: 49-89-627-144 0 Fax: 49-89-627-144-44

#### Italy

Microchip Technology SRL  
Centro Direzionale Colleoni  
Palazzo Taurus 1 V. Le Colleoni 1  
20041 Agrate Brianza  
Milan, Italy  
Tel: 39-039-65791-1 Fax: 39-039-6899883

#### United Kingdom

Arizona Microchip Technology Ltd.  
505 Eskdale Road  
Winnersh Triangle  
Wokingham  
Berkshire, England RG41 5TU  
Tel: 44 118 921 5869 Fax: 44-118 921-5820

01/18/02

