



AH118

¼ Watt, High Linearity InGaP HBT Amplifier

The Communications Edge™

Product Information

Product Features

- 60 – 2500 MHz
- +24.7 dBm P1dB
- +40.5 dBm Output IP3
- 20.4 dB Gain @ 900 MHz
- 16.5 dB Gain @ 1900 MHz
- +5V Single Positive Supply
- SOT-89 SMT Package

Applications

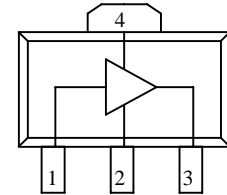
- Final stage amplifiers for Repeaters
- Mobile Infrastructure
- CATV / DBS
- Defense / Homeland Security

Product Description

The AH118 is a high dynamic range driver amplifier in a low-cost surface mount package. The InGaP/GaAs HBT is able to achieve high performance across a broad range with +40.5 dBm OIP3 and +24.7 dBm of compressed 1dB power. It is housed in an industry standard SOT-89 SMT package. All devices are 100% RF and DC tested.

The AH118 is targeted for use as a driver amplifier in wireless infrastructure where high linearity and medium power is required. Internal biasing allows the AH118 to maintain high linearity over temperature and operate directly off a single +5V supply. This combination makes the device an excellent candidate for transceiver line cards in current and next generation multi-carrier 3G base stations.

Functional Diagram



Function	Pin No.
Input / Base	1
Output / Collector	3
Ground	2, 4

Specifications

Parameter	Units	Min	Typ	Max
Frequency	MHz		1900	
S21 - Gain	dB	13.5	16.5	
S11 - Input R.L.	dB		-12	
S22 - Output R.L.	dB		-18	
Output P1dB	dBm	+23	+24.7	
Output IP3	dBm	+39.5	+40.5	
IS-95A Channel Power @ -45 dBc ACPR	dBm		+18	
W-CDMA Channel Power @ -45 dBc ACLR, 2140 MHz	dBm		+16.7	
Noise Figure	dB		4.3	
Operating Current Range	mA	140	160	175
Device Voltage	V		+5	

Test conditions unless otherwise noted.

1. T = 25°C, V_{supply} = +5 V, Frequency = 1900 MHz, in tuned application circuit.
2. 3OIP measured with two tones at an output power of +11 dBm/tone separated by 1 MHz. The suppression on the largest IM3 product is used to calculate the 3OIP using a 2:1 rule.

Typical Performance

Parameter	Units	Typical		
Frequency	MHz	900	1900	2140
S21 - Gain	dB	20.4	16.5	16.3
S11 - Input R.L.	dB	-15	-12	-15
S22 - Output R.L.	dB	-12	-18	-16
Output P1dB	dBm	+24.2	+24.7	+24.7
Output IP3	dBm	+40	+40.5	+40.5
IS-95A Channel Power @ -45 dBc ACPR	dBm	+18.2	+18	
W-CDMA Channel Power @ -45 dBc ACLR	dBm			+16.7
Noise Figure	dB	4.0	4.3	4.8
Supply Bias		+5 V @ 160 mA		

Typical parameters reflect performance in a tuned application circuit:
Supply Voltage = +5 V, I = 160 mA, +25° C

Absolute Maximum Rating

Parameter	Rating
Operating Case Temperature	-40 to +85 °C
Storage Temperature	-65 to +150 °C
RF Input Power (continuous)	+15 dBm
Device Voltage	+6 V
Device Current	220 mA

Operation of this device above any of these parameters may cause permanent damage.

Ordering Information

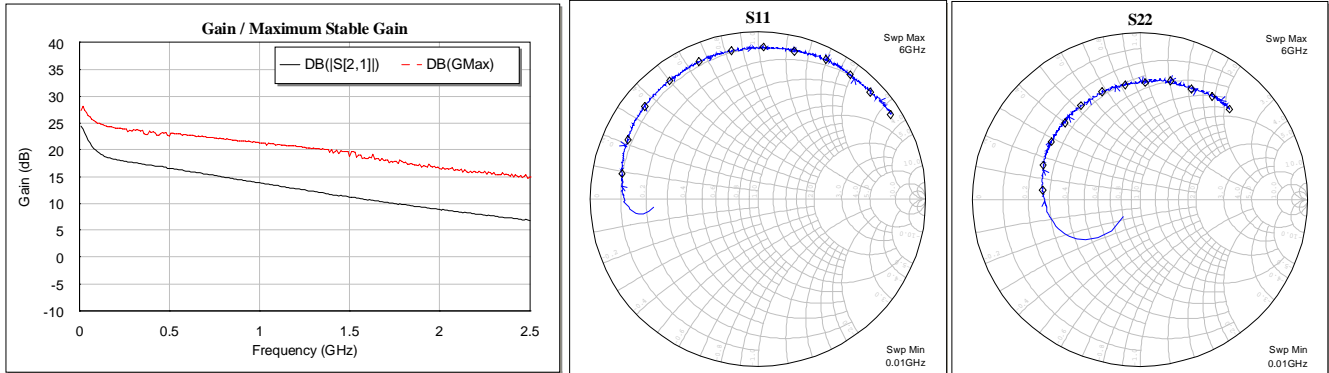
Part No.	Description
AH118-89	¼ Watt, High Linearity InGaP HBT Amplifier
AH118-89PCB900	900 MHz Evaluation Board
AH118-89PCB1900	1900 MHz Evaluation Board
AH118-89PCB2140	2140 MHz Evaluation Board

Specifications and information are subject to change without notice



Typical Device Data

S-Parameters ($V_{Device} = +5\text{ V}$, $I_{CC} = 160\text{ mA}$, 25° C , unmatched 50 ohm system)



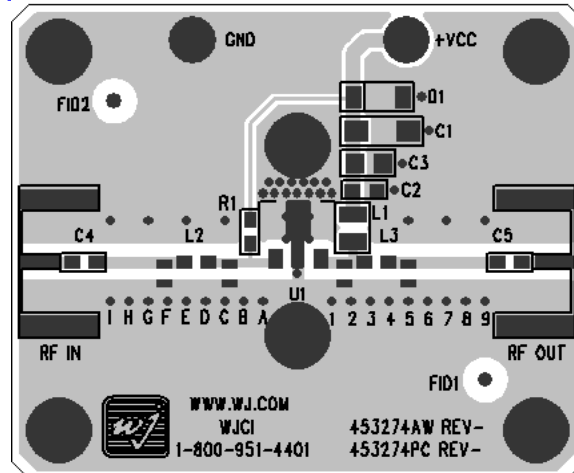
Notes:

The gain for the unmatched device in 50 ohm system is shown as the trace in black color. For a tuned circuit for a particular frequency, it is expected that actual gain will be higher, up to the maximum stable gain. The maximum stable gain is shown in the dashed red line. The impedance plots are shown from 50 – 6000 MHz, with markers placed at 0.5 – 6.0 GHz in 0.5 GHz increments.

S-Parameters ($V_{Device} = +5\text{ V}$, $I_{CC} = 160\text{ mA}$, 25° C , unmatched 50 ohm system, calibrated to device leads)

Freq (MHz)	S11 (dB)	S11 (ang)	S21 (dB)	S21 (ang)	S12 (dB)	S12 (ang)	S22 (dB)	S22 (ang)
50	-2.69	-173.38	21.74	153.70	-31.02	11.24	-7.02	-148.17
100	-2.16	-177.19	19.63	150.82	-30.31	7.90	-5.57	-162.45
200	-1.91	178.30	18.22	148.19	-29.87	5.01	-5.06	-173.51
400	-1.77	172.47	17.13	135.41	-29.83	4.07	-4.77	177.87
600	-1.60	166.83	15.99	121.91	-29.49	2.79	-4.60	171.65
800	-1.45	161.09	14.97	109.02	-29.18	2.11	-4.44	166.08
1000	-1.40	155.39	13.84	97.28	-28.70	1.64	-4.26	160.40
1200	-1.25	149.59	12.76	86.83	-28.63	-0.09	-4.14	155.01
1400	-1.20	143.79	11.71	76.95	-28.30	-1.34	-3.97	149.63
1600	-1.17	137.57	10.63	68.15	-27.94	-4.47	-4.00	144.03
1800	-1.13	132.05	9.75	59.55	-27.63	-7.00	-3.86	139.02
2000	-1.11	126.72	8.88	52.22	-27.51	-8.43	-3.84	134.24
2200	-1.05	121.50	8.00	45.09	-27.06	-11.00	-3.62	129.30
2400	-0.99	115.58	7.31	37.40	-27.02	-14.19	-3.55	124.42
2600	-0.93	110.41	6.52	30.66	-26.78	-18.24	-3.46	119.42
2800	-0.95	105.30	5.73	23.51	-26.66	-20.10	-3.34	114.26
3000	-0.92	100.11	5.05	17.07	-26.61	-23.28	-3.30	109.29

Application Circuit PC Board Layout



Circuit Board Material: .062" total thickness with a .014" Getek top RF layer, 4 layers (other layers added for rigidity),

1 oz copper, Microstrip line details: width = .026", spacing = .026"

The silk screen markers 'A', 'B', 'C', etc. and '1', '2', '3', etc. are used as placemarkers for the input and output tuning.

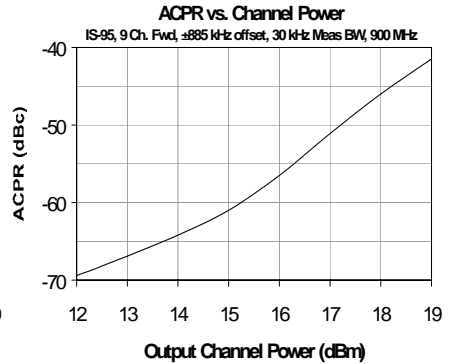
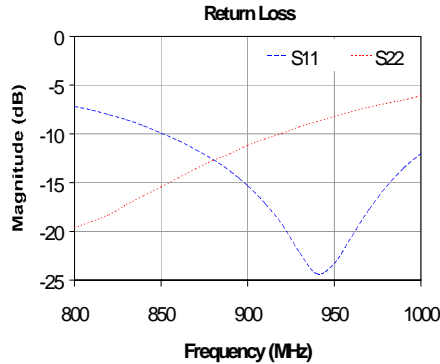
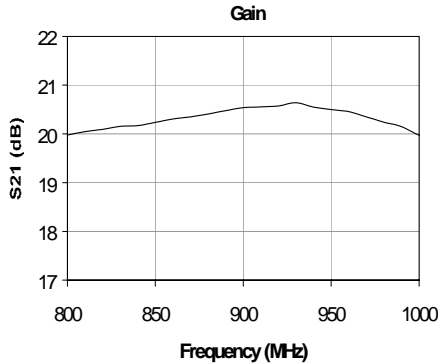
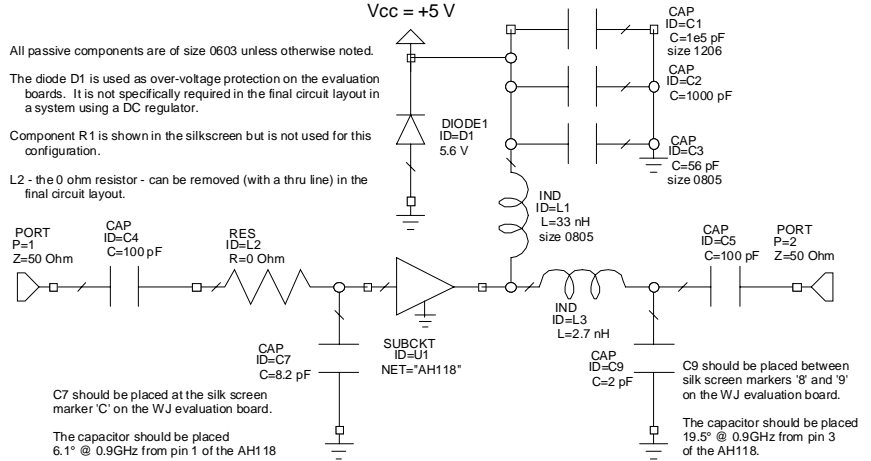
Specifications and information are subject to change without notice



900 MHz Application Circuit (AH118-89PCB900)

Typical RF Performance at 25°C

Frequency	900 MHz
S21 – Gain	20.4 dB
S11 – Input Return Loss	-15 dB
S22 – Output Return Loss	-12 dB
Output P1dB	+24.2 dB
Output IP3 (+17 dBm / tone, 1 MHz spacing)	+40 dB
Channel Power (@ -45 dBc ACPR, IS-95 9 channels fwd)	+18.2 dB
Noise Figure	4 dB
Device / Supply Voltage	+5 V
Quiescent Current	160 mA

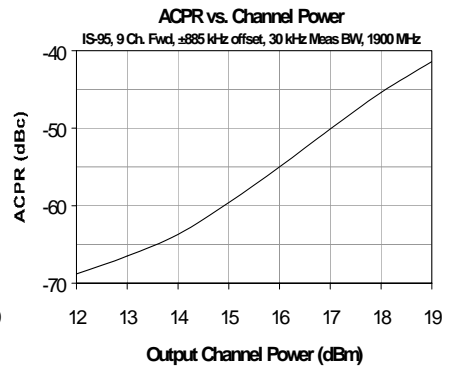
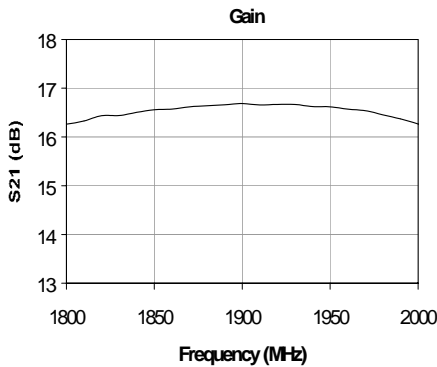
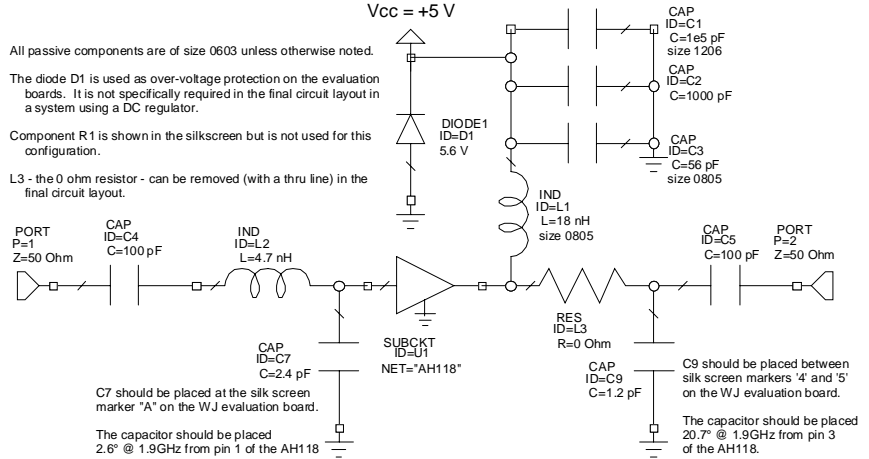




1900 MHz Application Circuit (AH118-89PCB1900)

Typical RF Performance at 25°C

Frequency	1900 MHz
S21 – Gain	16.5 dB
S11 – Input Return Loss	-12 dB
S22 – Output Return Loss	-18 dB
Output P1dB	+24.7 dBm
Output IP3 (+17 dBm / tone, 1 MHz spacing)	+40.5 dBm
Channel Power (@ -45 dBc ACPR, IS-95 9 channels fwd)	+18 dBm
Noise Figure	4.3 dB
Device / Supply Voltage	+5 V
Quiescent Current	160 mA





2140 MHz Application Circuit (AH118-89PCB2140)

Typical RF Performance at 25°C

Frequency	2140 MHz
S21 – Gain	16.3 dB
S11 – Input Return Loss	-15 dB
S22 – Output Return Loss	-16 dB
Output P1dB	+24.7 dBm
Output IP3 (+17 dBm / tone, 1 MHz spacing)	+40.5 dBm
Channel Power (@ -45 dBc ACPR, IS-95 9 channels fwd)	+16.7 dBm
Noise Figure	4.8 dB
Device / Supply Voltage	+5 V
Quiescent Current	160 mA

